



FSA8009

Audio Jack Send / End Detection with MIC / Video Switch

Features

Detection	Accessory Plug-In 3- or 4-Pole Audio Jack Send / End Key Pressed
Switch Type	Microphone & Video
V _{DD}	2.5 to 4.3 V
THD (MIC)	0.01% Typical
ESD (Air Gap)	16 kV
Operating Temperature	-40°C to 85°C
Package	10-Lead UMLP 1.4x1.8x0.5 mm, 0.4 mm Pitch
Top Mark	KP
Ordering Information	FSA8009UMX

Description

The FSA8009 is an audio jack microphone / video switch for 3- or 4-pole accessories with send / end (S/E) detection. In addition to detection, the FSA8009 features an integrated microphone / video switch that allows the processor to configure the audio jack. The architecture is designed to allow common third-party headphones to be used for listening to music from mobile handsets, personal media players, and portable peripheral devices.

- Determines When Send / End Button Key is Pressed
- Integrates a MIC / Video Switch for 4-Pole Configuration
- Reduces Pop / Click Caused by Microphone Bias

Related Resources

- For samples and questions, please contact: Analog.Switch@fairchildsemi.com.
- FSA8009 Demonstration Board

Applications

- 3.5 mm and 2.5 mm Audio Jacks
- Cellular Phones, Smartphones
- MP3 and PMP

Typical Application

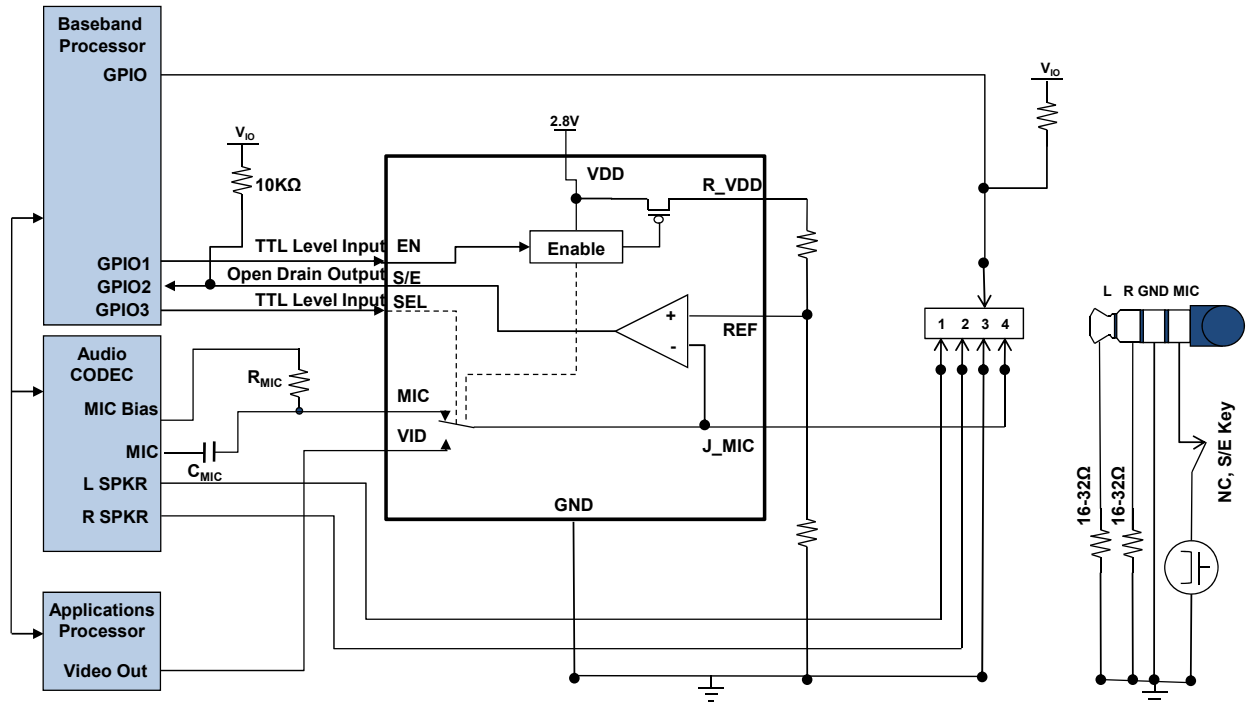


Figure 1. Mobile Phone Example

Pin Descriptions

Name	Pin #	Type	Description	
R_VDD	1	Output	Optional pull-up voltage, with a resistor divider, sets the reference voltage on the REF pin	
EN	2	Input	0	Device inactive ⁽¹⁾
			1	Device active ⁽¹⁾
SEL	3	Input	0	VID = J_MIC ⁽¹⁾
			1	MIC = J_MIC ⁽¹⁾
S/E	4	Output	0	Press ⁽¹⁾
			1	No key press ⁽¹⁾
VID	6	Switch	Video switch path; connects between video source and audio jack microphone pin	
VDD	5	Power	Supply voltage	
MIC	7	Switch	Microphone switch path that goes to the CODEC microphone amplifier input	
J_MIC	8	Switch	Microphone switch path that connects to the microphone, SEND/END key, and jack pole video	
REF	10	Input	Reference voltage used to detect a send / end key press, through a resistor divider off R_VDD or external voltage reference	
GND	9	Ground	Ground for both the audio jack and the PCB	

Note:

1. 0 = V_{OL} or V_{IL}; 1 = V_{OH} or V_{IH}.

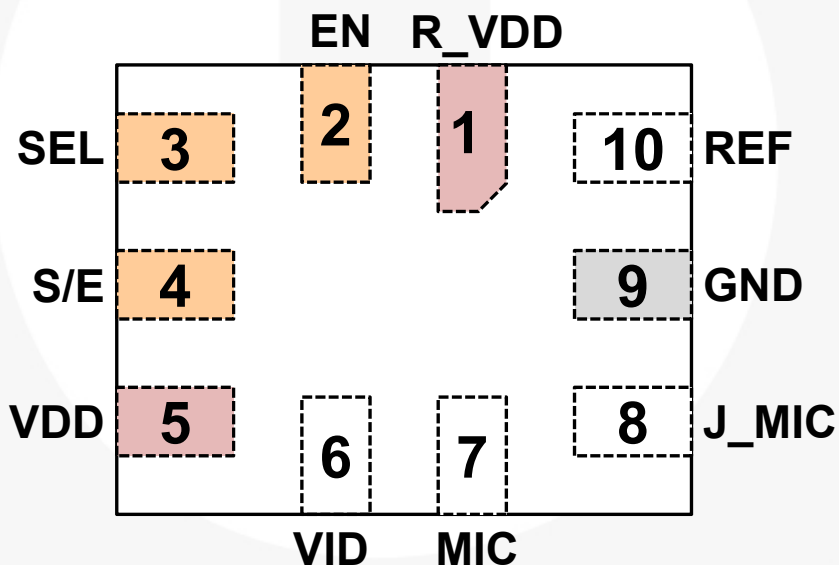


Figure 2. UMLP Pin Assignment (Through View)

Table 1. Device Configuration in Reset and Active States

EN	SEL	MIC	VID	R_VDD	S/E
0	X	3-State	3-State	GND	HIGH
1	1	J_MIC	Open	VDD	Active
1	0	Open	J_MIC	GND	LOW

Absolute Maximum Ratings

Stresses exceeding the absolute maximum ratings may damage the device. The device may not function or be operable above the recommended operating conditions and stressing the parts to these levels is not recommended. In addition, extended exposure to stresses above the recommended operating conditions may affect device reliability. The absolute maximum ratings are stress ratings only.

Symbol	Parameter	Min.	Max.	Units	
V_{DD}	Supply Voltage from Battery	-0.5	5.5	V	
V_{SW}	Switch I/O Voltage	-0.5	$V_{DD}+0.5$	V	
I_{IK}	Input Clamp Diode Current ⁽²⁾	-50		mA	
I_{SW}	Switch I/O Current (Continuous) ⁽²⁾		50	mA	
T_{STG}	Storage Temperature Range	-65	+150	°C	
T_J	Maximum Junction Temperature		+150	°C	
T_L	Lead Temperature (Soldering, 10 Seconds)		+260	°C	
ESD	IEC 61000-4-2 System	Air Gap	16		kV
		Contact	10		
	Human Body Model, JEDEC JESD22-A114	All other Pins	6		
		J_{DET} , J_{MIC} , V_{DD} , V_{IO} , GND	8		
	Charged Device Model, JEDEC JESD22-C101	All Pins	2		

Note:

- The input and output negative ratings may be exceeded if the input and output diode current ratings are observed.

Recommended Operating Conditions

The Recommended Operating Conditions table defines the conditions for actual device operation. Recommended operating conditions are specified to ensure optimal performance to the datasheet specifications. Fairchild does not recommend exceeding them or designing to Absolute Maximum Ratings.

Symbol	Parameter	Min.	Max.	Units
V_{DD}	Battery Supply Voltage	2.5	4.3	V
T_A	Operating Temperature	-40	+85	°C

DC Electrical Characteristics

All typical values are at $T_A=25^\circ\text{C}$ unless otherwise specified.

MIC Switch

Symbol	Parameter	V_{DD} (V)	Conditions	$T_A = -40$ to $+85^\circ\text{C}$			Units
				Min.	Typ.	Max.	
R_{ON}	MIC Switch On Resistance	2.8	$I_{OUT} = 24\text{ mA}, V_{IN} = 2.2\text{ V}$		2.0	4.0	Ω
		3.0			1.5	3.5	
		3.3			1.2	3.0	
		3.8			1.0	2.5	
$R_{FLAT(ON)}$	On Resistance Flatness	2.8	$I_{OUT} = 24\text{ mA}, V_{IN} = 1\text{ V to }V_{DD}$		0.7	1.5	Ω
		3.0			0.6	1.4	
		3.3			0.5	1.3	
		3.8			0.5	1.2	
V_{IN}	Switch Input Voltage Range	2.5 to 4.3		0		V_{DD}	V
C_{ON}	MIC and J_MIC Switch ON Capacitance	2.8	$f = 1\text{ MHz}$		15		pF
C_{OFF}	MIC and J_MIC Switch OFF Capacitance	2.8	$f = 1\text{ MHz}$		8		pF

Video Switch Characteristics

Symbol	Parameter	V_{DD} (V)	Conditions	$T_A = -40$ to $+85^\circ\text{C}$			Unit
				Min.	Typ.	Max.	
R_{ON}	MIC Switch On Resistance	2.8	$I_{OUT} = 24\text{ mA}, V_{IN} = 0.5\text{ V}$		1.0	1.5	Ω
		3.0			0.9	1.4	
		3.3			0.8	1.3	
		3.8			0.7	1.2	
$R_{FLAT(ON)}$	On Resistance Flatness	2.8	$I_{OUT} = 24\text{ mA}, V_{IN} = 0\text{ V to }1.2\text{ V}$		0.4	0.60	Ω
		3.0			0.3	0.55	
		3.3			0.2	0.50	
		3.8			0.15	0.45	
V_{IN}	Switch Input Voltage Range	2.5 to 4.3		0		1.5	V
C_{ON}	VID Switch ON Capacitance	2.8	$f = 1\text{ MHz}$		40		pF
C_{OFF}	VID Switch OFF Capacitance	2.8	$f = 1\text{ MHz}$		10		pF

Parallel I/O

Symbol	Parameter	$T_A = -40$ to $+85^\circ\text{C}$			Unit
		Min.	Typ.	Max.	
V_{IH}	Input High Voltage (EN, SEL)	$0.44 \times V_{DD}$		V_{DD}	V
V_{IL}	Input Low Voltage (EN, SEL)	GND		$0.15 \times V_{DD}$	V
$PUR_{S/E}$	Pull-Up Resistor on S/E	2		110	K Ω
V_{OL}	Output Low Voltage (S/E) (V_{PUR} = Voltage of Pull-Up Resistor)			$0.2 \times V_{PUR}$	V

DC Electrical Characteristics (Continued)All typical values are at $T_A=25^{\circ}\text{C}$ unless otherwise specified.**Comparator NC Switch**

Symbol	Parameter	V_{DD} (V)	Conditions	$T_A = -40$ to $+85^{\circ}\text{C}$			Unit
				Min.	Typ.	Max.	
V_{REF}	Input Voltage on REF Pin			1		$V_{DD} - 0.075$	V
COM_{HYS}	Hysteresis of Comparator "-" Terminal				50		mV

Current

Symbol	Parameter	V_{DD} (V)	Conditions	$T_A = -40$ to $+85^{\circ}\text{C}$			Unit
				Min.	Typ.	Max.	
I_{OFF}	Off-State Leakage Current	4.3	J_MIC = 1 V, 4.3 V MIC or VID = 4.3 V, 1 V	-15		15	nA
I_{IN}	Input Leakage Current	0 to 4.3	Inputs 0 to 4.3 V			1	μA
I_{CC-EN}	Low-Power Mode	2.5 to 4.3	EN = LOW		10		nA
I_{CC-VID}	Current during Video Mode	2.5 to 4.3	Active Current (EN = HIGH, SEL = LOW)		10		nA
I_{CC-MIC}	Current during Microphone Mode	2.5 to 4.3	Active Current (EN = HIGH, SEL = HIGH)		20		μA

AC Electrical Characteristics

All typical values are for $V_{CC}=3.3\text{ V}$ at $T_A=25^\circ\text{C}$ unless otherwise specified.

MIC Switch

Symbol	Parameter	V_{DD} (V)	Conditions	$T_A = -40\text{ to }+85^\circ\text{C}$			Unit
				Min.	Typ.	Max.	
THD	Total Harmonic Distortion	2.8	$R_T = 600\ \Omega$, $V_{SW} = 0.5\ V_{PP}$, $f = 20\ \text{Hz to } 20\ \text{kHz}$, $V_{IN} = 2.2\ \text{V}$.003		%
O_{IRR}	Off Isolation	2.8	$f = 20\ \text{kHz}$, $R_S=32\ \Omega$, $C_L=0\ \text{pF}$, $R_T=32\ \Omega$		-100		dB
X_{TALK}	Crosstalk from MIC to VID	2.8	$f = 100\ \text{MHz}$, $R_L=100\ \Omega$		-67		dB

Video Switch Characteristics

Symbol	Parameter	V_{DD} (V)	Conditions	$T_A = -40\text{ to }+85^\circ\text{C}$			Unit
				Min.	Typ.	Max.	
D_G	Differential Gain	2.8	$R_L = 150\ \Omega$, $f = 3.58\ \text{MHz}$.09		%
D_P	Differential Phase	2.8	$R_L = 150\ \Omega$, $f = 3.58\ \text{MHz}$.13		°
O_{IRR}	Off Isolation	2.8	$f=10\ \text{MHz}$, $R_L=150\ \Omega$,		-45		dB
X_{TALK}	Crosstalk from VID to MIC	2.8	$f=10\ \text{MHz}$, $R_{IN} = 10\ \Omega$, $C_L=0\ \text{pF}$, $R_L=150\ \Omega$		-65		dB

Parallel I/O

Symbol	Parameter	V_{DD} (V)	Conditions	$T_A = -40\text{ to }+85^\circ\text{C}$			Unit
				Min.	Typ.	Max.	
t_{BBM}	Break-Before-Make Time	2.5 to 4.3			120		ns
t_{EN}	Enable or Disable Time	2.5 to 4.3	EN LOW→ HIGH or EN HIGH→LOW		15		μs
$t_{SEL-COM-ON}$	Select to Comparator On	2.5 to 4.3	SEL LOW→ HIGH to Comparator ON		10		μs
$t_{SEL-COM-OFF}$	Select to Comparator Off	2.5 to 4.3	SEL HIGH→LOW to Comparator OFF		20		ns
t_{ON}	Switch Turn-On Time	2.5 to 4.3			40		ns
t_{OFF}	Switch Turn-Off Time	2.5 to 4.3			15		ns
$t_{J_MIC-S/E}$	Propagation Delay from Comparator Trigger to S/E Output	2.5 to 4.3	$J_MIC > REF$ from LOW→HIGH $J_MIC < REF$ from HIGH→LOW		10		μs

Power

Symbol	Parameter	V_{DD} (V)	Conditions	$T_A = -40\text{ to }+85^\circ\text{C}$			Unit
				Min.	Typ.	Max.	
PSRR	Power Supply Rejection Ratio	2.8	Power Supply Noise $300\ \text{mV}_{PP}$, Measured 10/90%, $f=217\ \text{Hz}$		-100		dB

Physical Dimensions

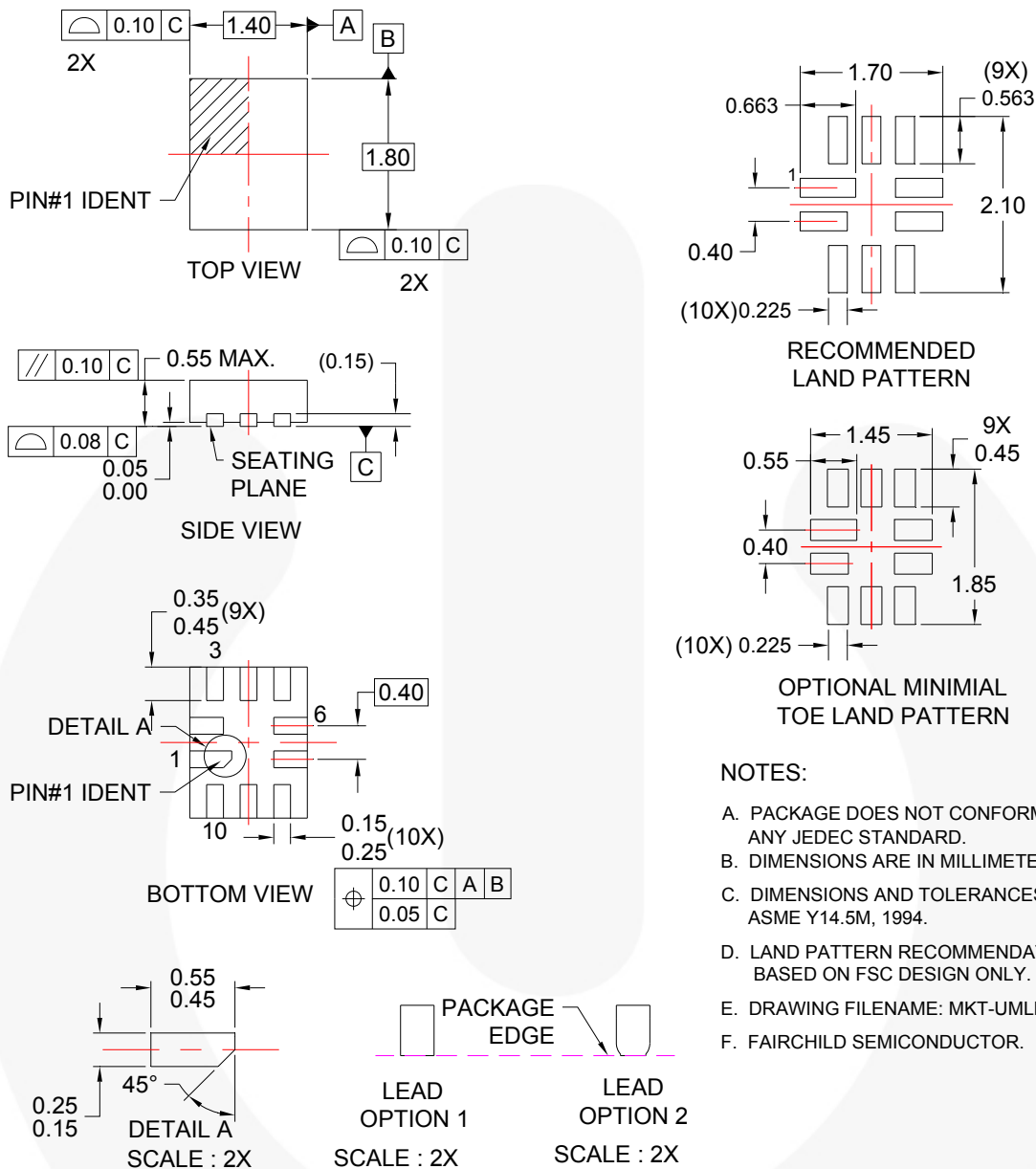


Figure 3. 10-Lead UMLP Package Drawing

Package drawings are provided as a service to customers considering Fairchild components. Drawings may change in any manner without notice. Please note the revision and/or date on the drawing and contact a Fairchild Semiconductor representative to verify or obtain the most recent revision. Package specifications do not expand the terms of Fairchild's worldwide terms and conditions, specifically the warranty therein, which covers Fairchild products.

Always visit Fairchild Semiconductor's online packaging area for the most recent package drawings:
<http://www.fairchildsemi.com/packaging/>

Ordering Information

Part Number	Operating Temperature Range	Top Mark	Package
FSA8009UMX	-40 to +85°C	KP	10-Lead 1.4 x 1.8 x 0.55 mm, 0.4 mm Pitch, Ultrathin Molded Leadless Package (UMLP)



TRADEMARKS

The following includes registered and unregistered trademarks and service marks, owned by Fairchild Semiconductor and/or its global subsidiaries, and is not intended to be an exhaustive list of all such trademarks.

- | | | | |
|--------------------------|------------------------|--|------------------|
| 2Cool™ | FPS™ | | Sync-Lock™ |
| AccuPower™ | F-PFS™ | PowerTrench® | SYSTEM GENERAL® |
| AX-CAP™ | FRFET® | PowerXS™ | TinyBoost™ |
| BitSiC™ | Global Power Resource™ | Programmable Active Droop™ | TinyBuck™ |
| Build it Now™ | GreenBridge™ | QFET® | TinyCalc™ |
| CorePLUS™ | Green FPST™ | QST™ | TinyLogic® |
| CorePOWER™ | Green FPST™ e-Series™ | Quiet Series™ | TINYOPTO™ |
| CROSSVOLT™ | Gmax™ | RapidConfigure™ | TinyPower™ |
| CTL™ | GTO™ | IntelliMAX™ | TinyPWM™ |
| Current Transfer Logic™ | IntelliMAX™ | ISOPLANAR™ | TinyWire™ |
| DEUXPEED® | ISOPLANAR™ | Making Small Speakers Sound Louder and Better™ | TranSiC™ |
| Dual Cool™ | MegaBuck™ | | TriFault Detect™ |
| EcoSPARK® | MICROCOUPLER™ | SignalWise™ | TRUECURRENT® |
| EfficientMax™ | MicroFET™ | SmartMax™ | µSerDes™ |
| ESBC™ | MicroPak™ | SMART START™ | SerDes™ |
| Fairchild® | MicroPak2™ | Solutions for Your Success™ | UHC™ |
| Fairchild Semiconductor® | MillerDrive™ | SPM® | Ultra FRFET™ |
| FACT Quiet Series™ | MotionMax™ | STEALTH™ | UniFET™ |
| FACT® | mWSaver™ | SuperFET® | VCX™ |
| FAST® | OptoHiT™ | SuperSOT™-3 | VisualMax™ |
| FastvCore™ | OPTOLOGIC® | SuperSOT™-6 | VoltagePlus™ |
| FETBench™ | OPTOPLANAR® | SuperSOT™-8 | XST™ |
| | | SupreMOS® | |
| | | SyncFET™ | |

* Trademarks of System General Corporation, used under license by Fairchild Semiconductor.

DISCLAIMER

FAIRCHILD SEMICONDUCTOR RESERVES THE RIGHT TO MAKE CHANGES WITHOUT FURTHER NOTICE TO ANY PRODUCTS HEREIN TO IMPROVE RELIABILITY, FUNCTION, OR DESIGN. FAIRCHILD DOES NOT ASSUME ANY LIABILITY ARISING OUT OF THE APPLICATION OR USE OF ANY PRODUCT OR CIRCUIT DESCRIBED HEREIN, NEITHER DOES IT CONVEY ANY LICENSE UNDER ITS PATENT RIGHTS, NOR THE RIGHTS OF OTHERS. THESE SPECIFICATIONS DO NOT EXPAND THE TERMS OF FAIRCHILD'S WORLDWIDE TERMS AND CONDITIONS, SPECIFICALLY THE WARRANTY THEREIN, WHICH COVERS THESE PRODUCTS.

LIFE SUPPORT POLICY

FAIRCHILD'S PRODUCTS ARE NOT AUTHORIZED FOR USE AS CRITICAL COMPONENTS IN LIFE SUPPORT DEVICES OR SYSTEMS WITHOUT THE EXPRESS WRITTEN APPROVAL OF FAIRCHILD SEMICONDUCTOR CORPORATION.

As used herein:

1. Life support devices or systems are devices or systems which, (a) are intended for surgical implant into the body or (b) support or sustain life, and (c) whose failure to perform when properly used in accordance with instructions for use provided in the labeling, can be reasonably expected to result in a significant injury of the user.
2. A critical component in any component of a life support, device, or system whose failure to perform can be reasonably expected to cause the failure of the life support device or system, or to affect its safety or effectiveness.

ANTI-COUNTERFEITING POLICY

Fairchild Semiconductor Corporation's Anti-Counterfeiting Policy. Fairchild's Anti-Counterfeiting Policy is also stated on our external website, www.fairchildsemi.com, under Sales Support.

Counterfeiting of semiconductor parts is a growing problem in the industry. All manufacturers of semiconductor products are experiencing counterfeiting of their parts. Customers who inadvertently purchase counterfeit parts experience many problems such as loss of brand reputation, substandard performance, failed applications, and increased cost of production and manufacturing delays. Fairchild is taking strong measures to protect ourselves and our customers from the proliferation of counterfeit parts. Fairchild strongly encourages customers to purchase Fairchild parts either directly from Fairchild or from Authorized Fairchild Distributors who are listed by country on our web page cited above. Products customers buy either from Fairchild directly or from Authorized Fairchild Distributors are genuine parts, have full traceability, meet Fairchild's quality standards for handling and storage and provide access to Fairchild's full range of up-to-date technical and product information. Fairchild and our Authorized Distributors will stand behind all warranties and will appropriately address any warranty issues that may arise. Fairchild will not provide any warranty coverage or other assistance for parts bought from Unauthorized Sources. Fairchild is committed to combat this global problem and encourage our customers to do their part in stopping this practice by buying direct or from authorized distributors.

PRODUCT STATUS DEFINITIONS

Definition of Terms

Datasheet Identification	Product Status	Definition
Advance Information	Formative / In Design	Datasheet contains the design specifications for product development. Specifications may change in any manner without notice.
Preliminary	First Production	Datasheet contains preliminary data; supplementary data will be published at a later date. Fairchild Semiconductor reserves the right to make changes at any time without notice to improve design.
No Identification Needed	Full Production	Datasheet contains final specifications. Fairchild Semiconductor reserves the right to make changes at any time without notice to improve the design.
Obsolete	Not In Production	Datasheet contains specifications on a product that is discontinued by Fairchild Semiconductor. The datasheet is for reference information only.

Rev. I64

Mouser Electronics

Authorized Distributor

Click to View Pricing, Inventory, Delivery & Lifecycle Information:

[Fairchild Semiconductor:](#)

[FSA8009UMX](#)