

PIC32MX470F512L 100-pin to 100-pin TQFP USB Plug-In Module (PIM) Information Sheet

OVERVIEW

The PIC32MX470F512L USB PIM is designed to demonstrate the capabilities of the PIC32MX430/450/470F512L family of devices using development boards such as the Explorer 16 Development Board, which supports 100-pin PIM interfaces.

The PIC32MX470F512L is a high performance 32-bit Microcontroller in a 100-pin TQFP package.

Table 1 shows the mapping between the 100-pin PIM interface board functions and the device pins.

Figure 1 through Figure 3 provide schematics for the device and the PIM.

TABLE 1: 100-PIN TO 100-PIN PIM

Device Pin #	PIC32MX470F512L Functional Description	PIM Pin #
1	RG15	69
2	VDD	2
3	AN22/RPE5/PMD5/RE5	3
4	AN23/PMD6/RE6	4
5	AN27/PMD7/RE7	5
6	RPC1/RC1	6
7	RPC2/RC2	7
8	RPC3/RC3	8
9	RPC4/CTED7/RC4	9, 54
10	AN16/C1IND/RPG6/SCK2/PMA5/RG6	10
11	AN17/C1INC/RPG7/PMA4/RG7	11
12	AN18/C2IND/RPG8/PMA3/RG8	12
13	MCLR	13
14	AN19/C2INC/RPG9/PMA2/RG9	14
15	VSS	15
16	VDD	16
17	TMS/CTED1/RA0	17
18	RPE8/RE8	18
19	RPE9/RE9	19
20	AN5/C1INA/RPB5/VBUSon/RB5	96
21	AN4/C1INB/RB4	21
22	PGED3/AN3/C2INA/RPB3/RB3	22
23	PGEC3/AN2/C2INB/RPB2/CTED13/RB2	20
24	PGEC1/AN1/RPB1/CTED12/RB1	24
25	PGED1/AN0/RPB0/RB0	25
26	PGEC2/AN6/RPB6/RB6	26, 32
27	PGED2/AN7/RPB7/CTED3/RB7	27
28	VREF-/CVREF-/PMA7/RA9	28
29	VREF+/CVREF+/PMA6/RA10	29
30	AVDD	30
31	AVSS	31
32	AN8/RPB8/CTED10/RB8	26, 32
33	AN9/RPB9/CTED4/RB9	33
34	CVREFOUT/AN10/RPB10/CTED11/PMA13/RB10	34

Device Pin #	PIC32MX470F512L Functional Description	PIM Pin #
35	AN11/PMA12/RB11	35
36	VSS	36
37	VDD	37
38	TCK/CTED2/RA1	38
39	RPF13/RF13	39
40	RPF12/RF12	40
41	AN12/PMA11/RB12	41
42	AN13/PMA10/RB13	42
43	AN14/RPB14/CTED5/PMA1/RB14	43
44	AN15/RPB15/OCFB/CTED6/PMA0/RB15	44
45	VSS	45
46	VDD	46
47	RPD14/RD14	47
48	RPD15/RD15	48
49	RPF4/PMA9/RF4	49
50	RPF5/PMA8/RF5	50
51	USBID/RF3	95
52	RPF2/RF2	52
53	RPF8/RF8	51
54	VBUS	1
55	VUSB3V3	62
56	D-	89
57	D+	90
58	SCL2/RA2	58
59	SDA2/RA3	59
60	TDI/CTED9/RA4	60
61	TDO/RA5	61
62	VDD	62
63	OSC1/CLKI/RC12	63
64	OSC2/CLKO/RC15	64
65	VSS	65
66	SCL1/RPA14/RA14	57
67	SDA1/RPA15/RA15	67
68	RPD8/RTCC/RD8	68

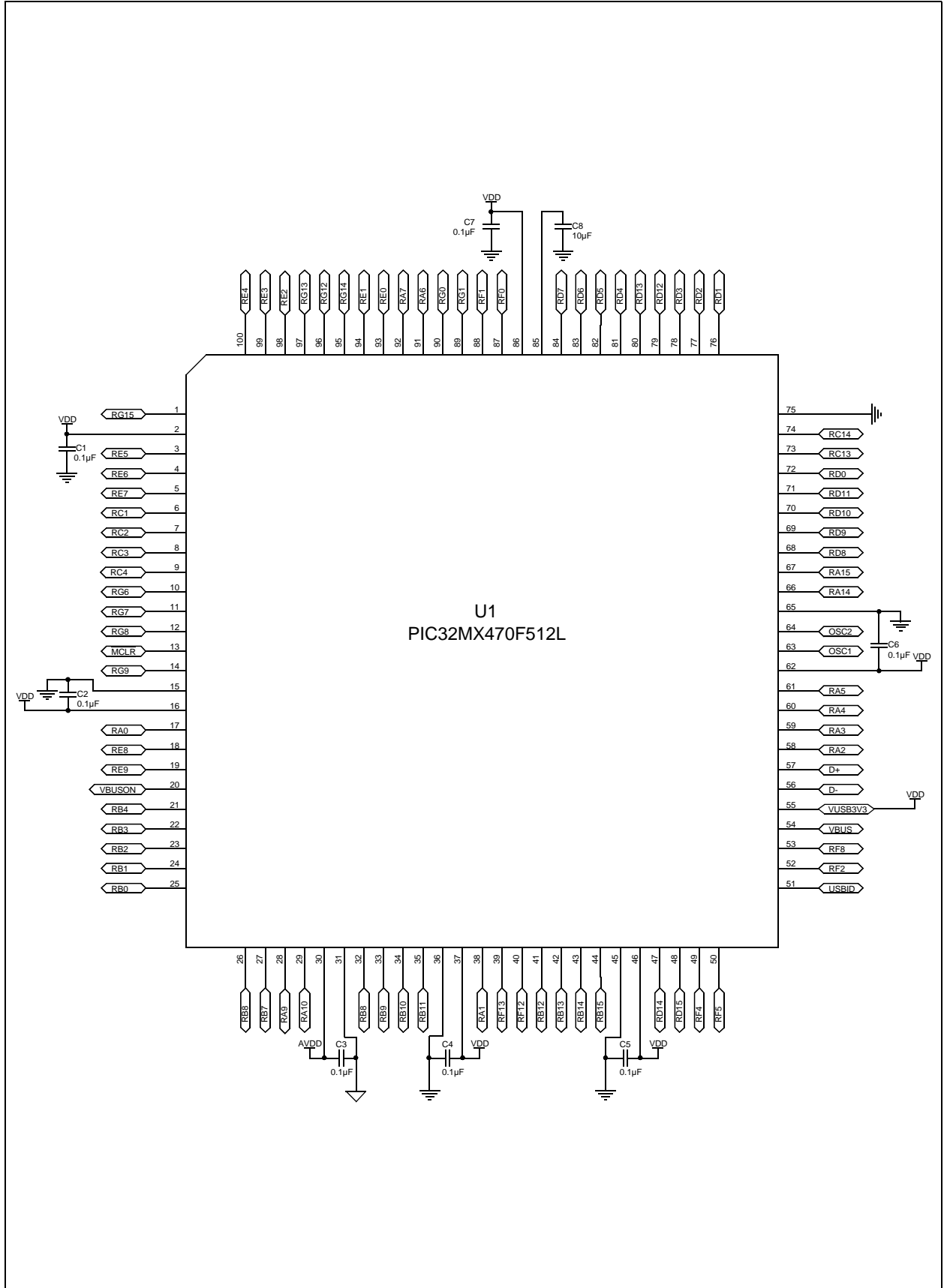
PIC32MX470F512L

TABLE 1: 100-PIN TO 100-PIN PIM (CONTINUED)

Device Pin #	PIC32MX470F512L Functional Description	PIM Pin #	Device Pin #	PIC32MX470F512L Functional Description	PIM Pin #
69	RPD9/RD9	23	85	VCAP	NC
70	RPD10/SCK1/PMCS2/RD10	70	86	VDD	86
71	RPD11/PMCS1/RD11	71	87	RPF0/PMD11/RF0	87
72	RPD0/INT0/RD0	72	88	RPF1/PMD10/RF1	88
73	SOSCI/RPC13/RC13	73	89	RPG1/PMD9/RG1	NC
74	SOSCO/RPC14/T1CK/RC14	74	90	RPG0/PMD8/RG0	NC
75	Vss	75	91	TRCLK/RA6	91
76	AN24/RPD1/RD1	76	92	TRD3/CTED8/RA7	92
77	AN25/RPD2/RD2	77	93	PMD0/RE0	93
78	AN26/RPD3/RD3	78	94	PMD1/RE1	94
79	RPD12/PMD12/RD12	79	95	TRD2/RG14	NC
80	PMD13/RD13	80	96	TRD1/RG12	NC
81	RPD4/PMWR/RD4	81	97	TRD0/RG13	97
82	RPD5/PMRD/RD5	82	98	AN20/CTPLS/PMD2/RE2	98
83	PMD14/RD6	83	99	RPE3/PMD3/RE3	99
84	PMD15/RD7	84	100	AN21/PMD4/RE4	100

PIC32MX470F512L

FIGURE 1: 100-PIN DEVICE SCHEMATIC



PIC32MX470F512L

FIGURE 2: 100-PIN PIM SOCKET SCHEMATIC

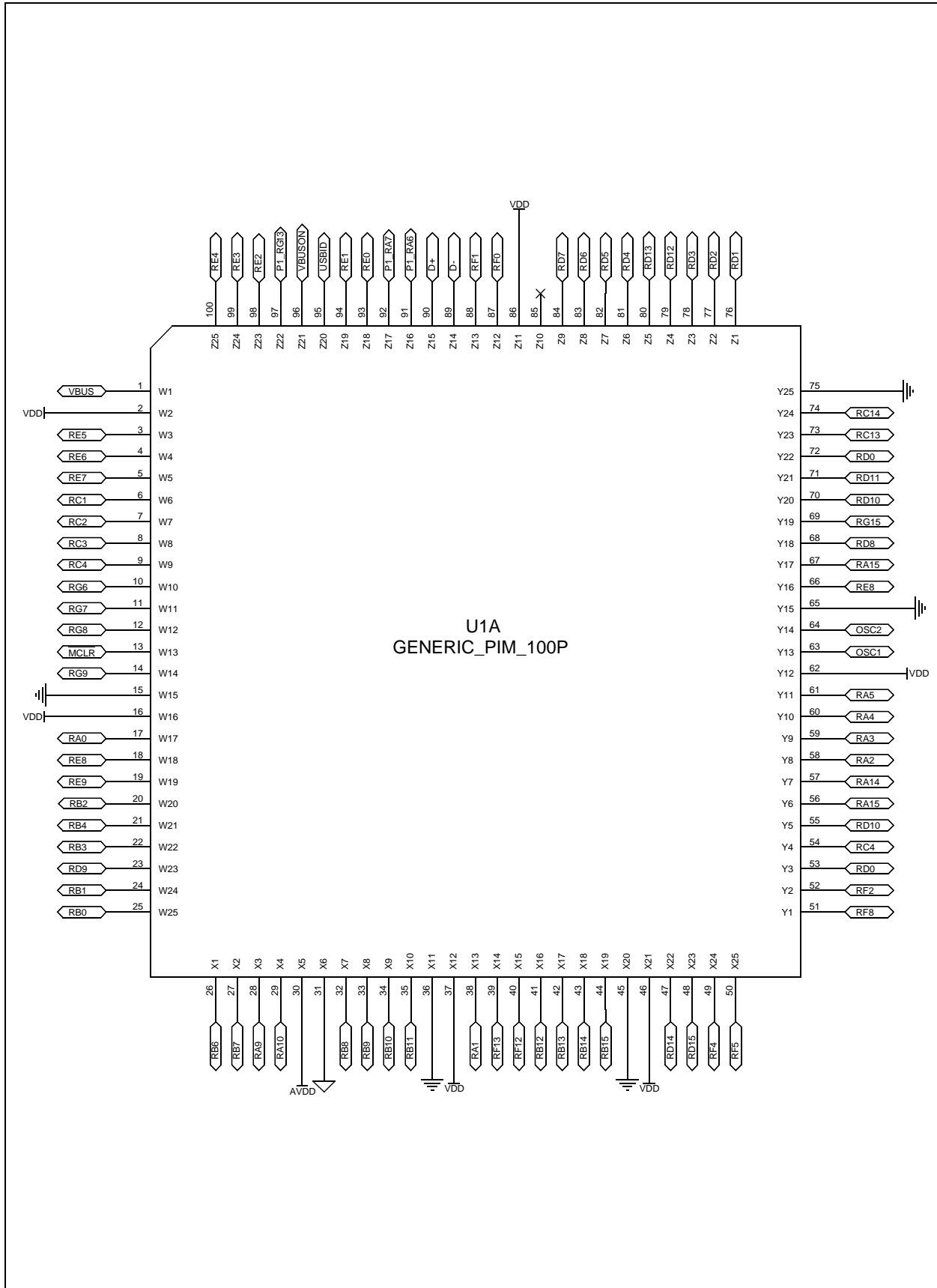
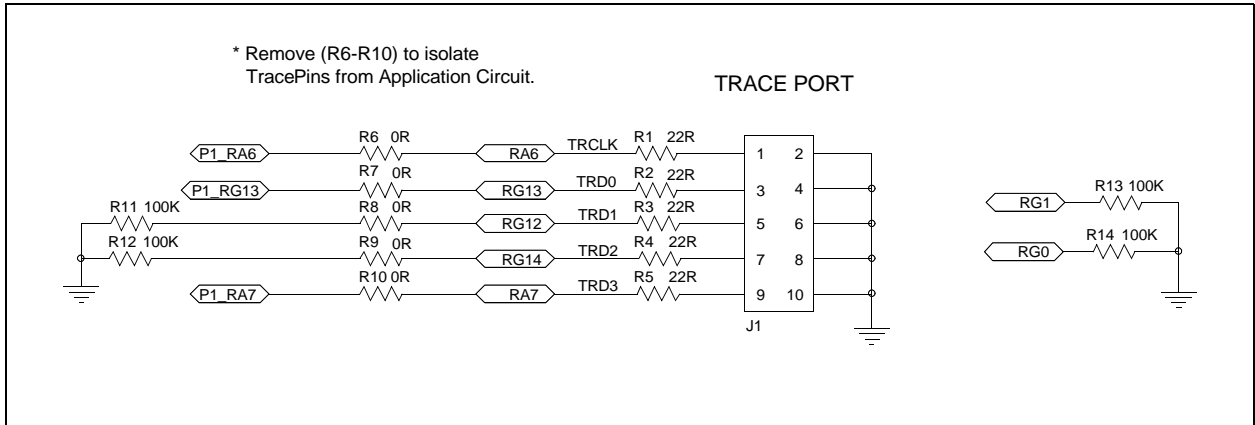


FIGURE 3: TRACE PORT SCHEMATIC



PIC32MX470F512L

NOTES:

Note the following details of the code protection feature on Microchip devices:

- Microchip products meet the specification contained in their particular Microchip Data Sheet.
- Microchip believes that its family of products is one of the most secure families of its kind on the market today, when used in the intended manner and under normal conditions.
- There are dishonest and possibly illegal methods used to breach the code protection feature. All of these methods, to our knowledge, require using the Microchip products in a manner outside the operating specifications contained in Microchip's Data Sheets. Most likely, the person doing so is engaged in theft of intellectual property.
- Microchip is willing to work with the customer who is concerned about the integrity of their code.
- Neither Microchip nor any other semiconductor manufacturer can guarantee the security of their code. Code protection does not mean that we are guaranteeing the product as "unbreakable."

Code protection is constantly evolving. We at Microchip are committed to continuously improving the code protection features of our products. Attempts to break Microchip's code protection feature may be a violation of the Digital Millennium Copyright Act. If such acts allow unauthorized access to your software or other copyrighted work, you may have a right to sue for relief under that Act.

Information contained in this publication regarding device applications and the like is provided only for your convenience and may be superseded by updates. It is your responsibility to ensure that your application meets with your specifications. MICROCHIP MAKES NO REPRESENTATIONS OR WARRANTIES OF ANY KIND WHETHER EXPRESS OR IMPLIED, WRITTEN OR ORAL, STATUTORY OR OTHERWISE, RELATED TO THE INFORMATION, INCLUDING BUT NOT LIMITED TO ITS CONDITION, QUALITY, PERFORMANCE, MERCHANTABILITY OR FITNESS FOR PURPOSE. Microchip disclaims all liability arising from this information and its use. Use of Microchip devices in life support and/or safety applications is entirely at the buyer's risk, and the buyer agrees to defend, indemnify and hold harmless Microchip from any and all damages, claims, suits, or expenses resulting from such use. No licenses are conveyed, implicitly or otherwise, under any Microchip intellectual property rights.

Trademarks

The Microchip name and logo, the Microchip logo, dsPIC, FlashFlex, KEELOQ, KEELOQ logo, MPLAB, PIC, PICmicro, PICSTART, PIC³² logo, rPIC, SST, SST Logo, SuperFlash and UNI/O are registered trademarks of Microchip Technology Incorporated in the U.S.A. and other countries.

FilterLab, Hampshire, HI-TECH C, Linear Active Thermistor, MTP, SEEVAL and The Embedded Control Solutions Company are registered trademarks of Microchip Technology Incorporated in the U.S.A.

Silicon Storage Technology is a registered trademark of Microchip Technology Inc. in other countries.


Analog-for-the-Digital Age, Application Maestro, BodyCom, chipKIT, chipKIT logo, CodeGuard, dsPICDEM, dsPICDEM.net, dsPICworks, dsSPEAK, ECAN, ECONOMONITOR, FanSense, HI-TIDE, In-Circuit Serial Programming, ICSP, Mindi, MiWi, MPASM, MPF, MPLAB Certified logo, MPLIB, MPLINK, mTouch, Omniscient Code Generation, PICC, PICC-18, PICDEM, PICDEM.net, PICkit, PICTail, REAL ICE, rLAB, Select Mode, SQI, Serial Quad I/O, Total Endurance, TSHARC, UniWinDriver, WiperLock, ZENA and Z-Scale are trademarks of Microchip Technology Incorporated in the U.S.A. and other countries.

SQTP is a service mark of Microchip Technology Incorporated in the U.S.A.

GestIC and ULPP are registered trademarks of Microchip Technology Germany II GmbH & Co. & KG, a subsidiary of Microchip Technology Inc., in other countries.

All other trademarks mentioned herein are property of their respective companies.

© 2013, Microchip Technology Incorporated, Printed in the U.S.A., All Rights Reserved.

 Printed on recycled paper.

ISBN: 978-1-62077-561-5

**QUALITY MANAGEMENT SYSTEM
CERTIFIED BY DNV
= ISO/TS 16949 =**

Microchip received ISO/TS-16949:2009 certification for its worldwide headquarters, design and wafer fabrication facilities in Chandler and Tempe, Arizona; Gresham, Oregon and design centers in California and India. The Company's quality system processes and procedures are for its PIC[®] MCUs and dsPIC[®] DSCs, KEELOQ[®] code hopping devices, Serial EEPROMs, microperipherals, nonvolatile memory and analog products. In addition, Microchip's quality system for the design and manufacture of development systems is ISO 9001:2000 certified.



MICROCHIP

Worldwide Sales and Service

AMERICAS

Corporate Office
2355 West Chandler Blvd.
Chandler, AZ 85224-6199
Tel: 480-792-7200
Fax: 480-792-7277
Technical Support:
<http://www.microchip.com/support>
Web Address:
www.microchip.com

Atlanta
Duluth, GA
Tel: 678-957-9614
Fax: 678-957-1455

Boston
Westborough, MA
Tel: 774-760-0087
Fax: 774-760-0088

Chicago
Itasca, IL
Tel: 630-285-0071
Fax: 630-285-0075

Cleveland
Independence, OH
Tel: 216-447-0464
Fax: 216-447-0643

Dallas
Addison, TX
Tel: 972-818-7423
Fax: 972-818-2924

Detroit
Farmington Hills, MI
Tel: 248-538-2250
Fax: 248-538-2260

Indianapolis
Noblesville, IN
Tel: 317-773-8323
Fax: 317-773-5453

Los Angeles
Mission Viejo, CA
Tel: 949-462-9523
Fax: 949-462-9608

Santa Clara
Santa Clara, CA
Tel: 408-961-6444
Fax: 408-961-6445

Toronto
Mississauga, Ontario,
Canada
Tel: 905-673-0699
Fax: 905-673-6509

ASIA/PACIFIC

Asia Pacific Office
Suites 3707-14, 37th Floor
Tower 6, The Gateway
Harbour City, Kowloon
Hong Kong
Tel: 852-2401-1200
Fax: 852-2401-3431

Australia - Sydney
Tel: 61-2-9868-6733
Fax: 61-2-9868-6755

China - Beijing
Tel: 86-10-8569-7000
Fax: 86-10-8528-2104

China - Chengdu
Tel: 86-28-8665-5511
Fax: 86-28-8665-7889

China - Chongqing
Tel: 86-23-8980-9588
Fax: 86-23-8980-9500

China - Hangzhou
Tel: 86-571-2819-3187
Fax: 86-571-2819-3189

China - Hong Kong SAR
Tel: 852-2943-5100
Fax: 852-2401-3431

China - Nanjing
Tel: 86-25-8473-2460
Fax: 86-25-8473-2470

China - Qingdao
Tel: 86-532-8502-7355
Fax: 86-532-8502-7205

China - Shanghai
Tel: 86-21-5407-5533
Fax: 86-21-5407-5066

China - Shenyang
Tel: 86-24-2334-2829
Fax: 86-24-2334-2393

China - Shenzhen
Tel: 86-755-8864-2200
Fax: 86-755-8203-1760

China - Wuhan
Tel: 86-27-5980-5300
Fax: 86-27-5980-5118

China - Xian
Tel: 86-29-8833-7252
Fax: 86-29-8833-7256

China - Xiamen
Tel: 86-592-2388138
Fax: 86-592-2388130

China - Zhuhai
Tel: 86-756-3210040
Fax: 86-756-3210049

ASIA/PACIFIC

India - Bangalore
Tel: 91-80-3090-4444
Fax: 91-80-3090-4123

India - New Delhi
Tel: 91-11-4160-8631
Fax: 91-11-4160-8632

India - Pune
Tel: 91-20-3019-1500

Japan - Osaka
Tel: 81-6-6152-7160
Fax: 81-6-6152-9310

Japan - Tokyo
Tel: 81-3-6880-3770
Fax: 81-3-6880-3771

Korea - Daegu
Tel: 82-53-744-4301
Fax: 82-53-744-4302

Korea - Seoul
Tel: 82-2-554-7200
Fax: 82-2-558-5932 or
82-2-558-5934

Malaysia - Kuala Lumpur
Tel: 60-3-6201-9857
Fax: 60-3-6201-9859

Malaysia - Penang
Tel: 60-4-227-8870
Fax: 60-4-227-4068

Philippines - Manila
Tel: 63-2-634-9065
Fax: 63-2-634-9069

Singapore
Tel: 65-6334-8870
Fax: 65-6334-8850

Taiwan - Hsin Chu
Tel: 886-3-5778-366
Fax: 886-3-5770-955

Taiwan - Kaohsiung
Tel: 886-7-213-7828
Fax: 886-7-330-9305

Taiwan - Taipei
Tel: 886-2-2508-8600
Fax: 886-2-2508-0102

Thailand - Bangkok
Tel: 66-2-694-1351
Fax: 66-2-694-1350

EUROPE

Austria - Wels
Tel: 43-7242-2244-39
Fax: 43-7242-2244-393

Denmark - Copenhagen
Tel: 45-4450-2828
Fax: 45-4485-2829

France - Paris
Tel: 33-1-69-53-63-20
Fax: 33-1-69-30-90-79

Germany - Munich
Tel: 49-89-627-144-0
Fax: 49-89-627-144-44

Italy - Milan
Tel: 39-0331-742611
Fax: 39-0331-466781

Netherlands - Druenen
Tel: 31-416-690399
Fax: 31-416-690340

Spain - Madrid
Tel: 34-91-708-08-90
Fax: 34-91-708-08-91

UK - Wokingham
Tel: 44-118-921-5869
Fax: 44-118-921-5820

08/20/13