

---

## Single Chip IEEE 802.11 b/g/n Link Controller with Integrated Bluetooth 4.0

---

Datasheet

### Description

---

The Atmel® ATWILC3000 is a single chip IEEE® 802.11 b/g/n RF/Baseband/MAC link controller and Bluetooth® 4.0 optimized for low-power mobile applications. The ATWILC3000 supports single stream 1x1 802.11n mode providing up to 72Mbps PHY rate. The ATWILC3000 features fully integrated Power Amplifier, LNA, Switch, and Power Management. Implemented in 65nm CMOS technology, the ATWILC3000 offers very low power consumption while simultaneously providing high performance and minimal bill of materials.

The ATWILC3000 utilizes highly optimized 802.11-Bluetooth coexistence protocols. The ATWILC3000 provides multiple peripheral interfaces including UART, SPI, I<sup>2</sup>C, and SDIO. The only external clock sources needed for the ATWILC3000 is a high-speed crystal or oscillator with a wide range of reference clock frequencies supported (14-40MHz) and a 32.768kHz clock for sleep operation. The ATWILC3000 is available in both QFN and Wafer Level Chip Scale Package (WLCSP) packaging.

### Features

---

- IEEE 802.11 b/g/n 20MHz (1x1) solution
- Single spatial stream in 2.4GHz ISM band
- Integrated PA and T/R Switch
- Superior Sensitivity and Range via advanced PHY signal processing
- Advanced Equalization and Channel Estimation
- Advanced Carrier and Timing Synchronization
- Wi-Fi Direct and Soft-AP support
- Supports IEEE 802.11 WEP, WPA, and WPA2 Security
- Supports China WAPI security
- Superior MAC throughput via hardware accelerated two-level A-MSDU/A-MPDU frame aggregation and block acknowledgement
- On-chip memory management engine to reduce host load
- SPI, SDIO, I<sup>2</sup>C, and UART host interfaces
- Operating temperature range of -40°C to +85°C

**Bluetooth:**

- Bluetooth 4.0 (Basic Rate, Enhanced Rate and BLE)
- Class 1 and 2 transmission
- Adaptive Frequency Hopping
- HCI (Host Control Interface) via high speed UART
- Integrated PA and T/R Switch
- Superior Sensitivity and Range
- PCM audio interface

## Table of Contents

<b>1</b>	<b>Ordering Information and IC Marking</b>	<b>5</b>
<b>2</b>	<b>Block Diagram</b>	<b>5</b>
<b>3</b>	<b>Pinout and Package Information</b>	<b>6</b>
3.1	Pin Description	6
3.2	Package Description	8
<b>4</b>	<b>Electrical Specifications</b>	<b>10</b>
4.1	Absolute Ratings	10
4.2	Recommended Operating Conditions	10
4.3	DC Electrical Characteristics	11
<b>5</b>	<b>Clocking</b>	<b>12</b>
5.1	Crystal Oscillator	12
5.2	Low-Power Oscillator	13
<b>6</b>	<b>CPU and Memory Subsystems</b>	<b>14</b>
6.1	Processor	14
6.2	Memory Subsystem	14
6.3	Non-Volatile Memory (eFuse)	14
<b>7</b>	<b>WLAN Subsystem</b>	<b>16</b>
7.1	MAC	16
7.1.1	Features	16
7.1.2	Description	16
7.2	PHY	17
7.2.1	Features	17
7.2.2	Description	17
7.3	802.11 b/g/n Radio Performance	17
7.3.1	Receiver Performance	17
7.3.2	Transmitter Performance	18
<b>8</b>	<b>Bluetooth Subsystem</b>	<b>19</b>
8.1	Bluetooth 4.0	19
8.2	Bluetooth Low Energy (BLE)	19
8.3	Bluetooth Radio	20
8.3.1	Receiver Performance	20
8.3.2	Transmitter Performance	20
<b>9</b>	<b>External Interfaces</b>	<b>21</b>
9.1	I <sup>2</sup> C Slave Interface	21
9.2	I <sup>2</sup> C Master Interface	22
9.3	SPI Slave Interface	23
9.4	SPI Master Interface	25
9.5	SDIO Slave Interface	27
9.6	UART	28
9.7	PCM Interface	29
9.8	GPIOs	29

<b>10</b>	<b>Power Management</b> .....	<b>30</b>
10.1	Power Architecture.....	30
10.2	Power Consumption.....	31
10.2.1	Description of Device States.....	31
10.2.2	Current Consumption in Various Device States.....	31
10.2.3	Restrictions for Power States .....	32
10.3	Power-Up/Down Sequence.....	32
10.4	Digital I/O Pin Behavior during Power-Up Sequences.....	33
<b>11</b>	<b>Reference Design</b> .....	<b>34</b>
<b>12</b>	<b>Reference Design Guidelines</b> .....	<b>35</b>
<b>13</b>	<b>Reflow Profile Information</b> .....	<b>36</b>
13.1	Storage Condition.....	36
13.1.1	Moisture Barrier Bag Before Opened .....	36
13.1.2	Moisture Barrier Bag Open.....	36
13.2	Stencil Design .....	36
13.3	Baking Conditions .....	36
13.4	Soldering and Reflow Condition.....	36
13.4.1	Reflow Oven .....	36
<b>14</b>	<b>Reference Documentation and Support</b> .....	<b>38</b>
<b>15</b>	<b>Revision History</b> .....	<b>39</b>

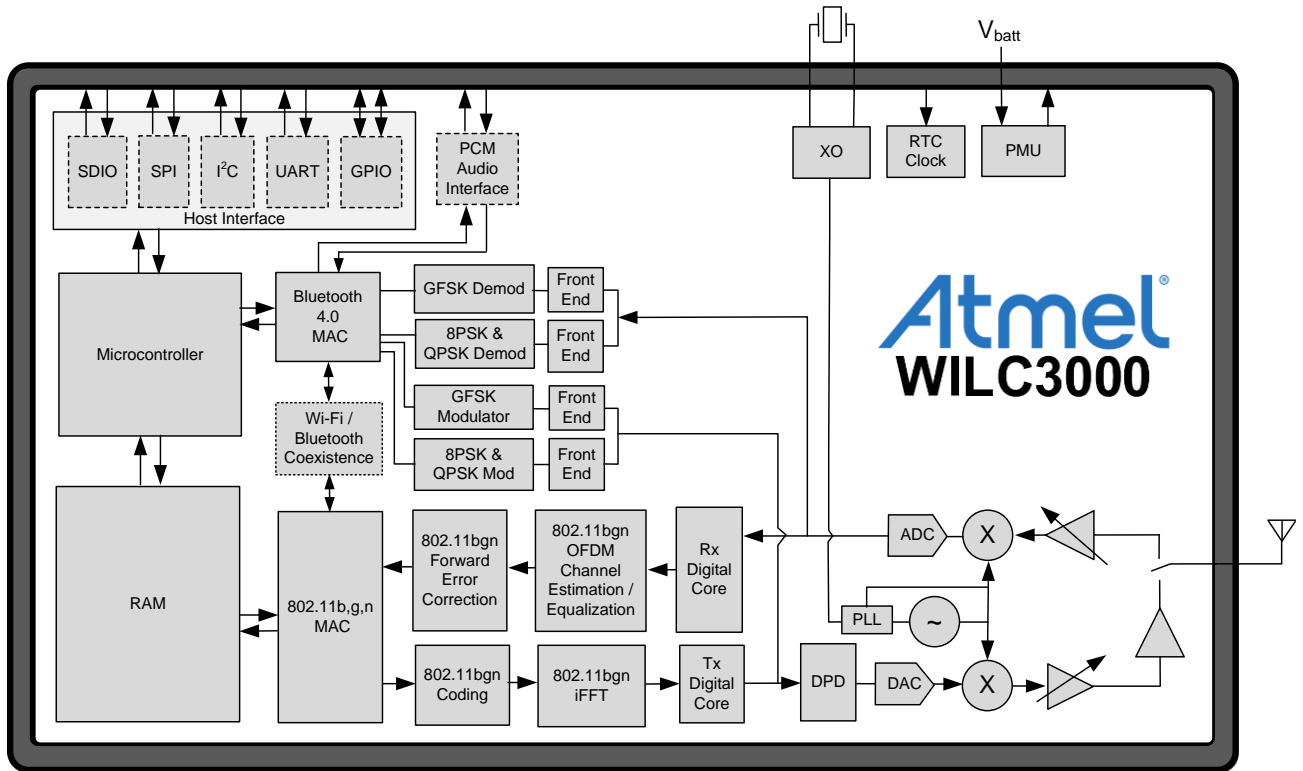
# 1 Ordering Information and IC Marking

Table 1-1. Ordering Details

Atmel Official Part Number (for ordering)	Package Type	IC Marking
ATWILC3000-MU-T	6x6 QFN in Tape and Reel	ATWILC3000

# 2 Block Diagram

Figure 2-1. ATWILC3000 Block Diagram



### 3 Pinout and Package Information

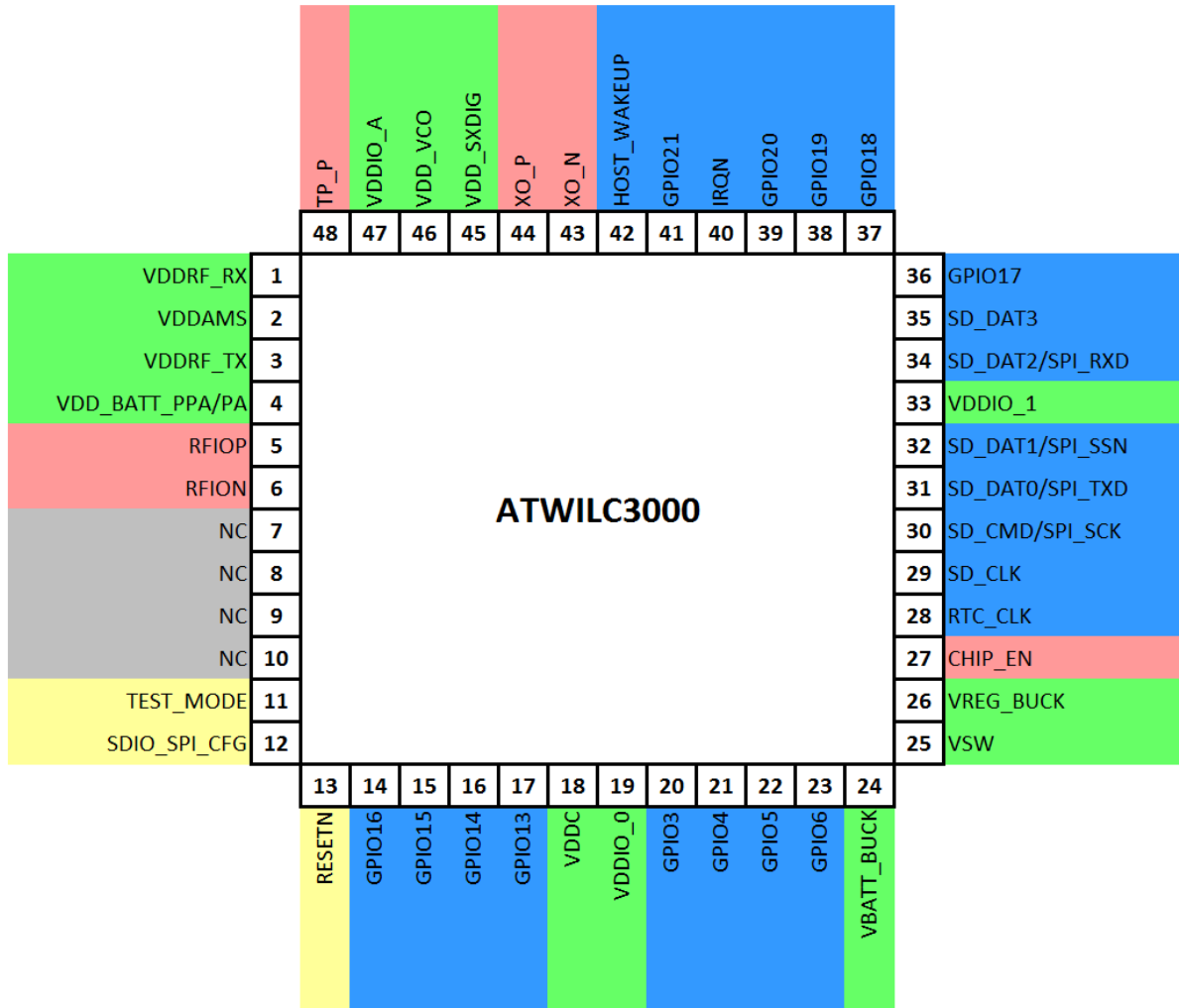
#### 3.1 Pin Description

ATWILC3000 is offered in an exposed pad 48-pin QFN package. This package has an exposed paddle that must be connected to the system board ground. The QFN package pin assignment is shown in Figure 3-1. The color shading is used to indicate the pin type as follows:

- Green – power
- Red – analog
- Blue – digital I/O
- Yellow – digital input
- Grey – unconnected or reserved

The ATWILC3000 pins are described in Table 3-1.

Figure 3-1. Pin Assignment



**Table 3-1. Pin Description**

Pin #	Pin Name	Pin Type	Description
1	VDDRF_RX	Power	Tuner RF RX Supply
2	VDDAMS	Power	Tuner BB Supply
3	VDDRF_TX	Power	Tuner RF TX Supply
4	Vddbatt_PPA/PA	Power	Battery Supply for PA
5	RFIOP	Analog	Wi-Fi/Bluetooth Positive RF Differential I/O
6	RFION	Analog	Wi-Fi/Bluetooth Negative RF Differential I/O
7	NC	None	Customer No Connect
8	NC	None	Customer No Connect
9	NC	None	Customer No Connect
10	NC	None	Customer No Connect
11	TEST_MODE	Digital Input	Test Mode – Customer Tie to GND
12	SDIO_SPI_CFG	Digital Input	Tie to VDDIO for SPI, GND for SDIO
13	RESETN	Digital Input	Active-Low Hard Reset
14	GPIO16	Digital I/O, Programmable Pull-Up	GPIO_16/Bluetooth UART Transmit Data Output
15	GPIO15	Digital I/O, Programmable Pull-Up	GPIO_15/Bluetooth UART Receive Data Input
16	GPIO14	Digital I/O, Programmable Pull-Up	GPIO_14/Bluetooth UART RTS output/I <sup>2</sup> C Slave Data
17	GPIO13	Digital I/O, Programmable Pull-Up	GPIO_13/Bluetooth UART CTS Input/I <sup>2</sup> C Slave Clock/Wi-Fi UART TXD Output
18	VDDC	Power	Digital Core Power Supply
19	VDDIO_0	Power	Digital I/O Power Supply
20	GPIO3	Digital I/O, Programmable Pull-Up	GPIO_3/SPI Flash Clock Output
21	GPIO4	Digital I/O, Programmable Pull-Up	GPIO_4/SPI Flash SSN Output
22	GPIO5	Digital I/O, Programmable Pull-Up	GPIO_5/Wi-Fi UART TXD Output/SPI Flash TX Output (MOSI)
23	GPIO6	Digital I/O, Programmable Pull-Up	GPIO_6/Wi-Fi UART RXD Input/SPI Flash RX Input (MISO)
24	VBATT_BUCK	Power	Battery Supply for DC/DC Converter
25	VSW	Power	Switching Output of DC/DC Converter
26	VREG_BUCK	Power	Core Power from DC/DC Converter
27	CHIP_EN	Analog	PMU Enable
28	RTC_CLK	Digital I/O, Programmable Pull-Up	RTC Clock Input/GPIO_1/Wi-Fi UART RXD Input/Wi-Fi UART TXD Output/BT UART CTS Input
29	SD_CLK	Digital I/O, Programmable Pull-Up	SDIO Clock/GPIO_8/Wi-Fi UART RXD Input/BT UART CTS Input

Pin #	Pin Name	Pin Type	Description
30	SD_CMD/SPI_SCK	Digital I/O, Programmable Pull-Up	SDIO Command/SPI Clock
31	SD_DAT0/SPI_TXD	Digital I/O, Programmable Pull-Up	SDIO Data0/SPI TX Data
32	SD_DAT1/SPI_SSN	Digital I/O, Programmable Pull-Up	SDIO Data1/SPI Slave Select
33	VDDIO_1	Power	Digital I/O Power Supply
34	SD_DAT2/SPI_RXD	Digital I/O, Programmable Pull-Up	SDIO Data2/SPI RX Data
35	SD_DAT3	Digital I/O, Programmable Pull-Up	SDIO Data3/GPIO_7/Wi-Fi UART TXD output/BT UART RTS Output
36	GPIO17	Digital I/O, Programmable Pull-Down	GPIO_17/Bluetooth PCM CLOCK
37	GPIO18	Digital I/O, Programmable Pull-Down	GPIO_18/Bluetooth PCM SNYC
38	GPIO19	Digital I/O, Programmable Pull-Down	GPIO_19/Bluetooth PCM Data Input
39	GPIO20	Digital I/O, Programmable Pull-Down	GPIO_20/Bluetooth PCM Data Output
40	IRQN	Digital I/O, Programmable Pull-Up	Host Interrupt Request Output/Wi-Fi UART RXD Input/BT UART RTS Output
41	GPIO21	Digital I/O, Programmable Pull-Up	GPIO_21/RTC Clock/Wi-Fi UART RXD Input/Wi-Fi UART TXD Output/BT UART RTS Output
42	HOST_WAKEUP	Digital I/O, Programmable Pull-Up	SLEEP Mode Control/Wi-Fi UART TXD output
43	XO_N	Analog	Crystal Oscillator N
44	XO_P	Analog	Crystal Oscillator P
45	VDD_SXDIG	Power	SX Power Supply
46	VDD_VCO	Power	VCO Power Supply
47	VDDIO_A	Power	Tuner VDDIO Power Supply
48	TP_P	Analog	Test Pin/Customer No Connect
49	PADDLE VSS	Power	Connect to System Board Ground

## 3.2 Package Description

The ATWILC3000 QFN package information is provided in [Table 3-2](#).

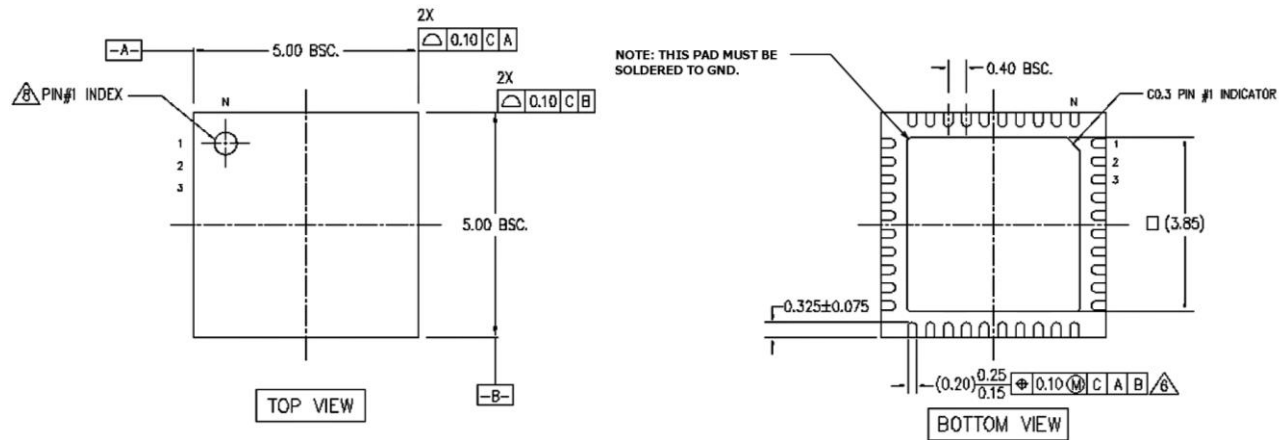
**Table 3-2. QFN Package Information**

Parameter	Value	Unit	Tolerance
Package Size	5x5	mm	±0.1mm
QFN Pad Count	48		
Total Thickness	0.85	mm	+0.15/-0.05mm
QFN Pad Pitch	0.40		
Pad Width	0.25		
Exposed Pad Size	3.85x3.85		



The ATWILC3000 40L QFN package view is shown in Figure 3-2.

Figure 3-2. QFN Package



NOTES :

1. PACKAGE DIMENSIONS IS ON THE BASE OF JEDEC MO-220.(EXCEPT FOR LEAD LENGTH)
  2. DIMENSIONING AND TOLERANCING CONFORM TO ASME Y 14.5M - 1994.
  3. ALL DIMENSIONS ARE IN MILLIMETERS. ( ) IS REFERENCE.
  4. MAXIMUM ALLOWABLE BURR SHALL NOT EXCEED 0.05MM.
  5. LEAD NUMBERS START WITH THE #1 AND CONTINUE COUNTERCLOCKWISE TO LEAD #40 WHEN VIEWED FROM THE TOP.
- ▲ LEAD WIDTH IS MEASURED BETWEEN 0.15MM AND 0.30MM FROM THE LEAD TIP.  
 ▲ COPLANARITY APPLIES TO THE EXPOSED PAD AS WELL AS THE LEADS.  
 ▲ PIN #1 INDEX MUST BE INDICATED BY LASER MARK

SCALE:	NONE	DATE:	02/28/13	TITLE:	VQFN SAW 5 X 5 MM, 40 LEAD 3.85X3.85 EEP SIZE PACKAGE OUTLINE	
DIMENSIONAL UNIT:	MM	UNTOLERANCED DIMENSIONS				
PROJECTION UNLESS SPECIFIED		FRACTION XXX ±0.10 XXXX ±0.05 XXXXX ±0.03	ANGLE ±1°			
				REV.		SHEET 1 OF 1

The QFN package is a qualified Green Package.

## 4 Electrical Specifications

### 4.1 Absolute Ratings

Table 4-1. Absolute Maximum Ratings

Characteristic	Symbol	Min.	Max.	Unit
Core Supply Voltage	VDDC	-0.3	1.5	V
I/O Supply Voltage	VDDIO	-0.3	5.0	
Battery Supply Voltage	VBATT	-0.3	5.0	
Digital Input Voltage	V <sub>IN</sub> <sup>(1)</sup>	-0.3	VDDIO	
Analog Input Voltage	V <sub>AIN</sub> <sup>(2)</sup>	-0.3	1.5	
ESD Human Body Model	V <sub>ESDHBM</sub>	-1000, -2000 (see notes below)	+1000, +2000 (see notes below)	
Storage Temperature	T <sub>A</sub>	-65	150	°C
Junction Temperature			125	
RF input power max.			23	dBm

- Notes:
- V<sub>IN</sub> corresponds to all the digital pins.
  - V<sub>AIN</sub> corresponds to the following analog pins: VDD\_RF\_RX, VDD\_RF\_TX, VDD\_AMS, RFIO\_P, RFIO\_N, XO\_N, XO\_P, VDD\_SXDIG, and VDD\_VCO.
  - For V<sub>ESDHBM</sub>, each pin is classified as Class 1, or Class 2, or both:
    - The Class 1 pins include all the pins (both analog and digital)
    - The Class 2 pins are all digital pins only
    - V<sub>ESDHBM</sub> is ±1kV for Class1 pins. V<sub>ESDHBM</sub> is ±2kV for Class2 pins

### 4.2 Recommended Operating Conditions

Table 4-2. Recommended Operating Conditions

Characteristic	Symbol	Min.	Typ.	Max.	Unit
I/O Supply Voltage Low Range	VDDIO <sub>L</sub>	1.62	1.80	2.00	V
I/O Supply Voltage Mid-Range	VDDIO <sub>M</sub>	2.00	2.50	3.00	
I/O Supply Voltage High Range	VDDIO <sub>H</sub>	3.00	3.30	3.60	
Battery Supply Voltage	VBATT	2.5 <sup>(1)</sup>	3.6	4.2	
Operating Temperature		-40		85	°C

- Notes:
- ATWILC3000 is functional across this range of voltages; however, optimal RF performance is guaranteed for VBATT in the range 3.0V < VBATT < 4.2V.
  - I/O supply voltage is applied to the following pins: VDDIO\_A, VDDIO.
  - Battery supply voltage is applied to following pins: VDD\_BATT\_PPA, VDD\_BATT\_PA, and VBATT\_BUCK.

### 4.3 DC Electrical Characteristics

Table 4-3 provides the DC characteristics for the ATWILC3000 digital pads.

**Table 4-3. DC Electrical Characteristics**

VDDIO Condition	Characteristic	Min.		Max.	Unit
VDDIO <sub>L</sub>	Input Low Voltage V <sub>IL</sub>	-0.30		0.60	V
	Input High Voltage V <sub>IH</sub>	VDDIO-0.60		VDDIO+0.30	
	Output Low Voltage V <sub>OL</sub>			0.45	
	Output High Voltage V <sub>OH</sub>	VDDIO-0.50			
VDDIO <sub>M</sub>	Input Low Voltage V <sub>IL</sub>	-0.30		0.63	
	Input High Voltage V <sub>IH</sub>	VDDIO-0.60		VDDIO+0.30	
	Output Low Voltage V <sub>OL</sub>			0.45	
	Output High Voltage V <sub>OH</sub>	VDDIO-0.50			
VDDIO <sub>H</sub>	Input Low Voltage V <sub>IL</sub>	-0.30		0.65	
	Input High Voltage V <sub>IH</sub>	VDDIO-0.60		VDDIO+0.30 (up to 3.60)	
	Output Low Voltage V <sub>OL</sub>			0.45	
	Output High Voltage V <sub>OH</sub>	VDDIO-0.50			
All	Output Loading			20	pF
All	Digital Input Load			6	
VDDIO <sub>L</sub>	Pad Drive Strength	1.7	2.4		mA
VDDIO <sub>M</sub>	Pad Drive Strength	3.4	6.5		
VDDIO <sub>H</sub>	Pad Drive Strength	10.6	13.5		

## 5 Clocking

### 5.1 Crystal Oscillator

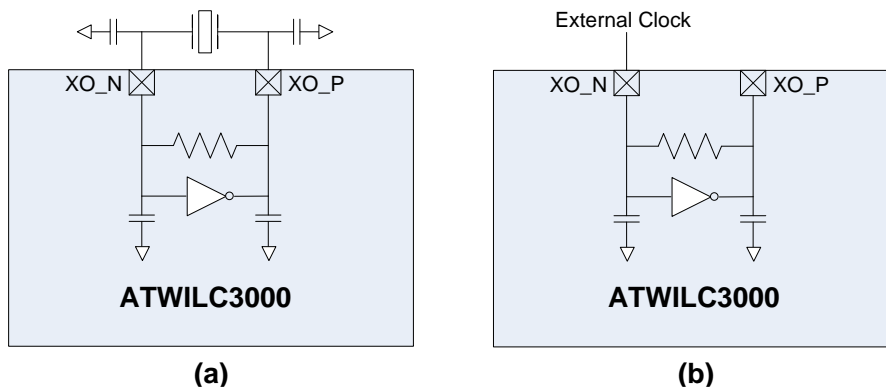
**Table 5-1. Crystal Oscillator Parameters**

Parameter	Min.	Typ.	Max.	Unit
Crystal Resonant Frequency	14	26	40	MHz
Crystal Equivalent Series Resistance		50	150	$\Omega$
Stability – Initial Offset <sup>(1)</sup>	-100		100	ppm
Stability - Temperature and Aging	-20		20	

Note: 1. Initial offset must be calibrated to maintain  $\pm 20$ ppm in all operating conditions when including temperature and aging. This calibration is performed during final production testing.

The block diagram in [Figure 5-1\(a\)](#) shows how the internal Crystal Oscillator (XO) is connected to the external crystal. The XO has 5pF internal capacitance on each terminal XO\_P and XO\_N. To bypass the crystal oscillator with an external reference, an external signal capable of driving 5pF can be applied to the XO\_N terminal as shown in [Figure 5-1\(b\)](#).

**Figure 5-1. XO Connections**



(a) Crystal Oscillator is used

(b) Crystal Oscillator is bypassed

Below are the electrical and performance requirements for the external clock.

**Table 5-2. Bypass Clock Specification**

Parameter	Min.	Max.	Unit	Comments
Oscillation frequency	12	40	MHz	Must be able to drive 5pF load @ desired frequency
Voltage swing	0.5	1.2	V <sub>pp</sub>	Must be AC coupled
Stability – Temperature and Aging	-20	+20	ppm	
Phase Noise		-130	dBc/Hz	At 10kHz offset
Jitter(RMS)		<1psec		Based on integrated phase noise spectrum from 1kHz to 1MHz

## 5.2 Low-Power Oscillator

ATWILC3000 requires an external 32.768kHz clock to be used for sleep operation, which is provided through Pin 28 or Pin 41. The frequency accuracy of the external clock has to be within  $\pm 500$ ppm.

## 6 CPU and Memory Subsystems

### 6.1 Processor

ATWILC3000 has a Cortus APS3 32-bit processor. This processor performs many of the MAC functions, including but not limited to association, authentication, power management, security key management, and MSDU aggregation/de-aggregation. In addition, the processor provides flexibility for various modes of operation, such as STA and AP modes.

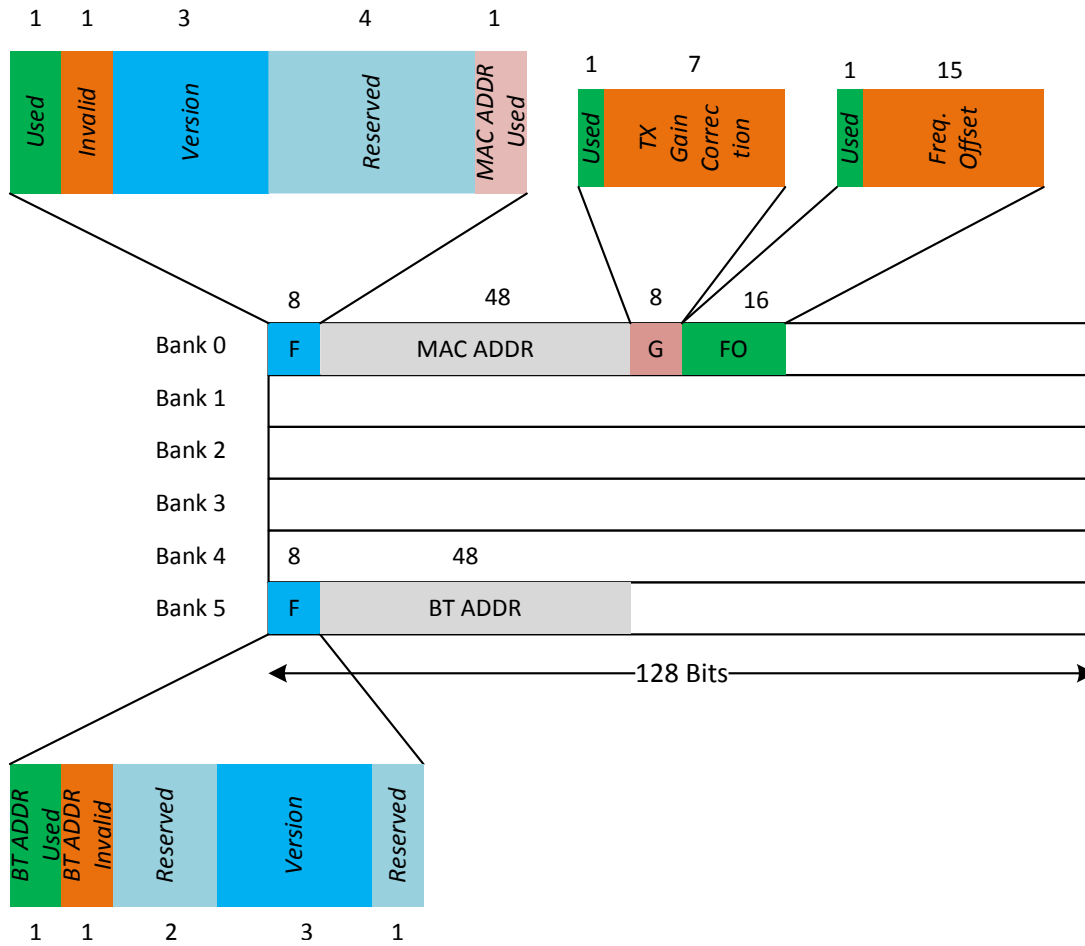
### 6.2 Memory Subsystem

The APS3 core uses a 256kB instruction/boot ROM (160kB for 802.11 and 96kB for Bluetooth) along with a 420kB instruction RAM (128kB for 802.11 and 292kB for Bluetooth), and a 128kB data RAM (64kB for 802.11 and 64kB for Bluetooth). In addition, the device uses a 160kB shared/exchange RAM (128kB for 802.11 and 32kB for Bluetooth), accessible by the processor and MAC, which allows the processor to perform various data management tasks on the TX and RX data packets.

### 6.3 Non-Volatile Memory (eFuse)

ATWILC3000 has 768 bits of non-volatile eFuse memory that can be read by the CPU after device reset. This non-volatile one-time-programmable memory can be used to store customer-specific parameters, such as 802.11 MAC address, Bluetooth address, and various calibration information, such as TX power, crystal frequency offset, etc., as well as other software-specific configuration parameters. The eFuse is partitioned into six 128-bit banks. The bit map of the first and last banks is shown in [Figure 6-1](#). The purpose of the first 80 bits in bank 0 and the first 56 bits in bank 5 is fixed, and the remaining bits are general-purpose software dependent bits, or reserved for future use. Currently the Bluetooth address is derived from the Wi-Fi MAC address ( $BT\_ADDR=MAC\_ADDR+1$ ). This eliminates the need to program the first 56 bits in bank 5. Since each bank and each bit can be programmed independently, this allows for several updates of the device parameters following the initial programming, e.g. updating 802.11 MAC address or Bluetooth address (this can be done by invalidating the last programmed bank and programming a new bank). Refer to ATWILC3000 Programming Guide for the eFuse programming instructions.

**Figure 6-1. eFuse Bit Map**



## 7 WLAN Subsystem

The WLAN subsystem is composed of the Media Access Controller (MAC) and the Physical Layer (PHY). Sections 7.1 and 7.2 describe the MAC and PHY in detail.

### 7.1 MAC

#### 7.1.1 Features

The ATWILC3000 IEEE802.11 MAC supports the following functions:

- IEEE 802.11b/g/n
- IEEE 802.11e WMM QoS EDCA/PCF multiple access categories traffic scheduling
- Advanced IEEE 802.11n features:
  - Transmission and reception of aggregated MPDUs (A-MPDU)
  - Transmission and reception of aggregated MSDUs (A-MSDU)
  - Immediate Block Acknowledgement
  - Reduced Interframe Spacing (RIFS)
- Support for IEEE802.11i and WPA security with key management
  - WEP 64/128
  - WPA-TKIP
  - 128-bit WPA2 CCMP (AES)
- Support for WAPI security
- Advanced power management
  - Standard 802.11 Power Save Mode
  - Wi-Fi Alliance WMM-PS (U-APSD)
- RTS-CTS and CTS-self support
- Supports either STA or AP mode in the infrastructure basic service set mode
- Supports independent basic service set (IBSS)

#### 7.1.2 Description

The ATWILC3000 MAC is designed to operate at low power while providing high data throughput. The IEEE 802.11 MAC functions are implemented with a combination of dedicated data path engines, hardwired control logic, and a low-power, high-efficiency microprocessor. The combination of dedicated logic with a programmable processor provides optimal power efficiency and real-time response while providing the flexibility to accommodate evolving standards and future feature enhancements.

Dedicated data path engines are used to implement data path functions with heavy computational requirements. For example, an FCS engine checks the CRC of the transmitting and receiving packets, and a cipher engine performs all the required encryption and decryption operations for the WEP, WPA-TKIP, WPA2 CCMP-AES, and WAPI security requirements.

Control functions, which have real-time requirements, are implemented using hardwired control logic modules. These logic modules offer real-time response while maintaining configurability via the processor. Examples of hardwired control logic modules are the channel access control module (implements EDCA/HCCA, Beacon TX control, interframe spacing, etc.), protocol timer module (responsible for the Network Access Vector, back-off timing, timing synchronization function, and slot management), MPDU handling module, aggregation/de-aggregation module, block ACK controller (implements the protocol requirements for burst block communication), and TX/RX control FSMs (coordinate data movement between PHY-MAC interface, cipher engine, and the DMA interface to the TX/RX FIFOs).



The MAC functions implemented solely in software on the microprocessor have the following characteristics:

- Functions with high memory requirements or complex data structures. Examples are association table management and power save queuing.
- Functions with low computational load or without critical real-time requirements. Examples are authentication and association.
- Functions, which need flexibility and upgradeability. Examples are beacon frame processing and QoS scheduling.

## 7.2 PHY

### 7.2.1 Features

The ATWILC3000 IEEE802.11 PHY supports the following functions:

- Single antenna 1x1 stream in 20MHz channels
- Supports IEEE 802.11b DSSS-CCK modulation: 1, 2, 5.5, and 11Mbps
- Supports IEEE 802.11g OFDM modulation: 6, 9, 12, 18, 24, 36, 48, and 54Mbps
- Supports IEEE 802.11n HT modulations MCS0-7, 20MHz, 800 and 400ns guard interval: 6.5, 7.2, 13.0, 14.4, 19.5, 21.7, 26.0, 28.9, 39.0, 43.3, 52.0, 57.8, 58.5, 65.0, and 72.2Mbps
- IEEE 802.11n mixed mode operation
- Per packet TX power control
- Advanced channel estimation/equalization, automatic gain control, CCA, carrier/symbol recovery, and frame detection

### 7.2.2 Description

The ATWILC3000 WLAN PHY is designed to achieve reliable and power-efficient physical layer communication specified by IEEE 802.11b/g/n in single stream mode with 20MHz bandwidth. Advanced algorithms have been employed to achieve maximum throughput in a real world communication environment with impairments and interference. The PHY implements all the required functions such as FFT, filtering, FEC (Viterbi decoder), frequency, and timing acquisition and tracking, channel estimation and equalization, carrier sensing and clear channel assessment, as well as the automatic gain control.

## 7.3 802.11 b/g/n Radio Performance

### 7.3.1 Receiver Performance

Radio performance under typical conditions: VBATT=3.6V; VDDIO=3.3V; temp.: 25°C.

**Table 7-1. ATWILC3000 Conducted Receiver Performance**

Parameter	Description	Min.	Typ.	Max.	Unit
Frequency		2,412		2,484	MHz
Sensitivity 802.11b	1Mbps DSS		-98.0		dBm
	2Mbps DSS		-95.0		
	5.5Mbps DSS		-93.0		
	11Mbps DSS		-89.0		
Sensitivity 802.11g	6Mbps OFDM		-90.6		dBm
	9Mbps OFDM		-89.0		
	12Mbps OFDM		-87.9		

Parameter	Description	Min.	Typ.	Max.	Unit
	18Mbps OFDM		-86.0		dBm
	24Mbps OFDM		-83.0		
	36Mbps OFDM		-79.8		
	48Mbps OFDM		-76.0		
	54Mbps OFDM		-74.3		
Sensitivity 802.11n (BW=20MHz)	MCS 0		-89.0		dBm
	MCS 1		-86.9		
	MCS 2		-84.9		
	MCS 3		-82.4		
	MCS 4		-79.2		
	MCS 5		-75.0		
	MCS 6		-73.2		
Maximum Receive Signal Level	1-11Mbps DSS	-10	5		dBm
	6-54Mbps OFDM	-10	-3		
	MCS 0 – 7	-10	-3		
Adjacent Channel Rejection	1Mbps DSS (30MHz offset)		50		dB
	11Mbps DSS (25MHz offset)		43		
	6Mbps OFDM (25MHz offset)		40		
	54Mbps OFDM (25MHz offset)		25		
	MCS 0 – 20MHz BW (25MHz offset)		40		
	MCS 7 – 20MHz BW (25MHz offset)		20		

### 7.3.2 Transmitter Performance

Radio Performance under typical conditions: VBATT=3.6V; VDDIO=3.3V; temp.: 25°C.

**Table 7-2. Transmitter Performance**

Parameter	Description	Min.	Typ.	Max.	Unit
Frequency		2,412		2,484	MHz
Output Power	802.11b DSSS 1Mbps		19 <sup>1</sup>		dBm
	802.11b DSSS 11Mbps		17 <sup>1</sup>		
	802.11g OFDM 54Mbps		16 <sup>1</sup>		
	802.11n MCS7		14 <sup>1</sup>		
TX Power Accuracy			±1.5 <sup>2</sup>		dB
Carrier Suppression			30.0		dBc

- Notes: 1. Measured at 802.11 spec compliant EVM/Spectral Mask.  
2. Measured with 50Ω differential balun.

## 8 Bluetooth Subsystem

The Bluetooth subsystem implements all the mission critical real-time functions. It encodes/decodes HCI packets, constructs baseband data packages, and manages and monitors connection status, slot usage, data flow, routing, segmentation, and buffer control. The Bluetooth subsystem supports both conventional Bluetooth as well as Bluetooth Low Energy (BLE) modes of operation.

The Bluetooth Subsystem performs Link Control Layer management supporting the following states:

- Standby
- Connection
- Page and Page Scan
- Inquiry and Inquiry Scan
- Sniff

### 8.1 Bluetooth 4.0

Features:

- Extended Inquiry Response (EIR)
- Encryption Pause/Resume (EPR)
- Sniff Sub-Rating (SSR)
- Secure Simple Pairing (SSP)
- Link Supervision Time Out (LSTO)
- Link Management Protocol (LMP)
- Quality of Service (QOS)

### 8.2 Bluetooth Low Energy (BLE)

Supports BLE profiles allowing connection to advanced low energy application such as:

- Smart Energy
- Consumer Wellness
- Home Automation
- Security
- Proximity Detection
- Entertainment
- Sports and Fitness
- Automotive

## 8.3 Bluetooth Radio

### 8.3.1 Receiver Performance

Radio Performance under typical conditions: VBATT=3.6V; VDDIO=3.3V; temp.: 25°C.

**Table 8-1. ATWILC3000 Bluetooth Receiver Performance**

Parameter	Description	Min.	Typ.	Max.	Unit
Frequency		2,402		2,480	MHz
Sensitivity Ideal TX	GFSK (0.1% BER) 1Mbps		-93.0		dBm
	$\pi/4$ DQPSK (0.1% BER) 2Mbps		-95.6		
	8DPSK (0.1% BER) 3Mbps		-90.0		
	BLE (GFSK)		-96		
Maximum Re- ceive Signal Level	GFSK	-10	0		dBm
	$\pi/4$ DQPSK	-10	-5		
	8DPSK	-10	-5		

### 8.3.2 Transmitter Performance

Radio Performance under typical conditions: VBATT=3.6V; VDDIO=3.3V; temp.: 25°C.

**Table 8-2. ATWILC3000 Bluetooth Transmitter Performance**

Parameter	Description	Min.	Typ.	Max.	Unit
Frequency		2,402		2,480	MHz
Output Power	GFSK	-32	10.0	17 <sup>1</sup>	dBm
	$\pi/4$ DQPSK	-32	10.0	17 <sup>1</sup>	
	8DPSK	-32	10.0	17 <sup>1</sup>	
	BLE (GFSK)	-32	10.0	17 <sup>1</sup>	

Note: 1. The maximum output power may require board filtering to meet spurious emission limits.

## 9 External Interfaces

ATWILC3000 external interfaces include: SPI Slave, SDIO Slave, and UART for 802.11 control and data transfer; UART for Bluetooth control and data transfer, and audio; PCM for Bluetooth audio; I<sup>2</sup>C Slave for control; SPI Master for external Flash; I<sup>2</sup>C Master for external EEPROM, and General Purpose Input / Output (GPIO) pins. With the exception of the SPI Slave and SDIO Slave host interfaces, which are selected using the dedicated SDIO\_SPI\_CFG pin, the other interfaces can be assigned to various pins by programming the corresponding pin muxing control register for each pin to a specific value between 0 and 6. The default values of these registers are 0, which is GPIO mode. Each digital I/O pin also has a programmable pull-up or pull-down. The summary of the available interfaces and their corresponding pin MUX settings is shown in [Table 9-1](#). For specific programming instructions refer to ATWILC3000 Programming Guide.

**Table 9-1. Pin-MUX Matrix of External Interfaces**

Pin Name	Pin #	Pull	MUX0	MUX1	MUX2	MUX3	MUX4	MUX5	MUX6
GPIO16	14	Up	GPIO_16	O_BT_UART1_TXD					
GPIO15	15	Up	GPIO_15	I_BT_UART1_RXD					
GPIO14	16	Up	GPIO_14	O_BT_UART1_RTS	IO_I2C_SDA				I_WAKEUP
GPIO13	17	Up	GPIO_13	I_BT_UART1_CTS	IO_I2C_SCL	O_WIFI_UART_TXD			I_WAKEUP
GPIO3	20	Up	GPIO_3	O_SPI_SCK_FLASH					O_BT_UART2_TXD
GPIO4	21	Up	GPIO_4	O_SPI_SSN_FLASH					I_BT_UART2_RXD
GPIO5	22	Up	GPIO_5	O_SPI_TXD_FLASH		O_WIFI_UART_TXD			I_WAKEUP
GPIO6	23	Up	GPIO_6	I_SPI_RXD_FLASH		I_WIFI_UART_RXD			I_WAKEUP
RTC_CLK	28	Up	GPIO_1	I_RTC_CLK		I_WIFI_UART_RXD	O_WIFI_UART_TXD	I_BT_UART1_CTS	
SD_CLK	29	Up	GPIO_8	I_SD_CLK		I_WIFI_UART_RXD	I_BT_UART1_CTS		
SD_CMD/SPI_SCK	30	Up		IO_SD_CMD	IO_SPI_SCK				
SD_DAT0/SPI_TXD	31	Up		IO_SD_DAT0	O_SPI_TXD				
SD_DAT1/SPI_SSN	32	Up		IO_SD_DAT1	IO_SPI_SSN				
SD_DAT2/SPI_RXD	34	Up		IO_SD_DAT2	I_SPI_RXD				
SD_DAT3	35	Up	GPIO_7	IO_SD_DAT3		O_WIFI_UART_TXD	O_BT_UART1_RTS		
GPIO17	36	Down	GPIO_17	IO_BT_PCM_CLK					I_WAKEUP
GPIO18	37	Down	GPIO_18	IO_BT_PCM_SYNC					I_WAKEUP
GPIO19	38	Down	GPIO_19	I_BT_PCM_D_IN					I_WAKEUP
GPIO20	39	Down	GPIO_20	O_BT_PCM_D_OUT					I_WAKEUP
IRQN	40	Up	GPIO_2	O_IRQN		I_WIFI_UART_RXD	O_BT_UART1_RTS		
GPIO21	41	Up	GPIO_21	I_RTC_CLK		I_WIFI_UART_RXD	O_WIFI_UART_TXD	O_BT_UART1_RTS	IO_I2C_MASTER_SCL
HOST_WAKEUP	42	Up	GPIO_0	I_WAKEUP		O_WIFI_UART_TXD			IO_I2C_MASTER_SDA

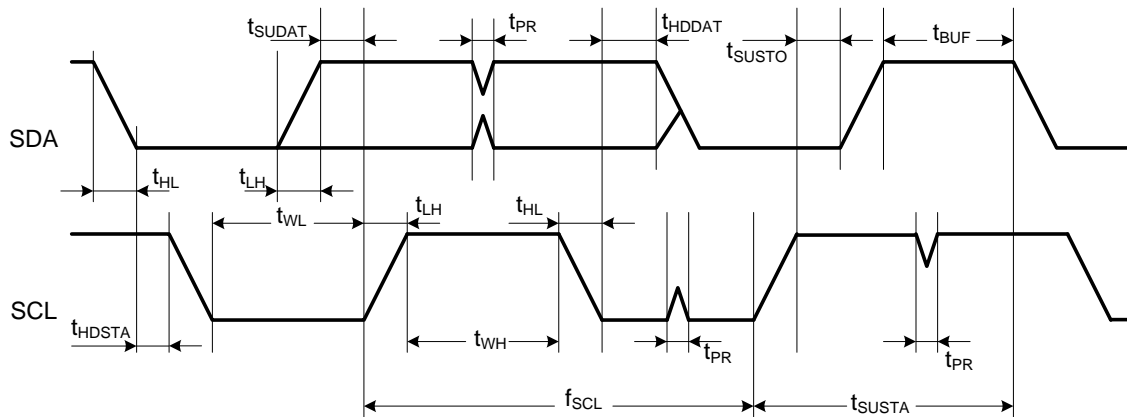
### 9.1 I<sup>2</sup>C Slave Interface

The I<sup>2</sup>C Slave interface, used primarily for control by the host processor, is a two-wire serial interface consisting of a serial data line (SDA) on Pin 16 (GPIO14) and a serial clock line (SCL) on Pin 17 (GPIO13). I<sup>2</sup>C Slave responds to the seven bit address value 0x60. The ATWILC3000 I<sup>2</sup>C supports I<sup>2</sup>C bus Version 2.1 - 2000 and can operate in standard mode (with data rates up to 100Kb/s) and fast mode (with data rates up to 400Kb/s).

The I<sup>2</sup>C Slave is a synchronous serial interface. The SDA line is a bidirectional signal and changes only while the SCL line is low, except for STOP, START, and RESTART conditions. The output drivers are open-drain to perform wire-AND functions on the bus. The maximum number of devices on the bus is limited by only the maximum capacitance specification of 400pF. Data is transmitted in byte packages.

For specific information, refer to the Philips Specification entitled “The I<sup>2</sup>C -Bus Specification, Version 2.1”.

**Figure 9-2. I<sup>2</sup>C Slave Timing Diagram**



**Table 9-2. I<sup>2</sup>C Slave Timing Parameters**

Parameter	Symbol	Min.	Max.	Unit	Remarks
SCL Clock Frequency	f <sub>SCL</sub>	0	400	kHz	
SCL Low Pulse Width	t <sub>WL</sub>	1.3		μs	
SCL High Pulse Width	t <sub>WH</sub>	0.6			
SCL, SDA Fall Time	t <sub>HL</sub>		300	ns	This is dictated by external components
SCL, SDA Rise Time	t <sub>LH</sub>		300		
START Setup Time	t <sub>SUSTA</sub>	0.6		μs	
START Hold Time	t <sub>HDSTA</sub>	0.6			
SDA Setup Time	t <sub>SUDAT</sub>	100		ns	Slave and Master Default Master Programming Option
SDA Hold Time	t <sub>HDDAT</sub>	0 40			
STOP Setup time	t <sub>SUSTO</sub>	0.6		μs	
Bus Free Time Between STOP and START	t <sub>BUF</sub>	1.3			
Glitch Pulse Reject	t <sub>PR</sub>	0	50	ns	

## 9.2 I<sup>2</sup>C Master Interface

ATWILC3000 provides an I<sup>2</sup>C bus master, which is intended primarily for accessing an external EEPROM memory through a software-defined protocol. The I<sup>2</sup>C Master is a two-wire serial interface consisting of a serial data line (SDA) and a serial clock line (SCL). SDA can be configured on pin 42 (HOST\_WAKEUP), and SCL can be configured on pin 41 (GPIO21).

The I<sup>2</sup>C Master interface supports three speeds:

- Standard mode (100kb/s)
- Fast mode (400kb/s)
- High-speed mode (3.4Mb/s)

The timing diagram of the I<sup>2</sup>C Master interface is the same as that of the I<sup>2</sup>C Slave interface (see Section 9.3). The timing parameters of I<sup>2</sup>C Master are shown in Table 9-3.

**Table 9-3. I<sup>2</sup>C Master Timing Parameters**

Parameter	Symbol	Standard Mode		Fast Mode		High-Speed Mode		Unit
		Min.	Max.	Min.	Max.	Min.	Max.	
SCL Clock Frequency	f <sub>SCL</sub>	0	100	0	400	0	3400	kHz
SCL Low Pulse Width	t <sub>WL</sub>	4.7		1.3		0.16		μs
SCL High Pulse Width	t <sub>WH</sub>	4		0.6		0.06		
SCL Fall Time	t <sub>HLSC</sub> L		300		300	10	40	ns
SDA Fall Time	t <sub>HLSDA</sub>		300		300	10	80	
SCL Rise Time	t <sub>LHSC</sub> L		1000		300	10	40	
SDA Rise Time	t <sub>LHSDA</sub>		1000		300	10	80	
START Setup Time	t <sub>SUSTA</sub>	4.7		0.6		0.16		μs
START Hold Time	t <sub>HDSTA</sub>	4		0.6		0.16		
SDA Setup Time	t <sub>SUDAT</sub>	250		100		10		ns
SDA Hold Time	t <sub>HDDAT</sub>	5		40		0	70	
STOP Setup time	t <sub>SUSTO</sub>	4		0.6		0.16		μs
Bus Free Time Between STOP and START	t <sub>BUF</sub>	4.7		1.3				
Glitch Pulse Reject	t <sub>PR</sub>			0	50			

### 9.3 SPI Slave Interface

ATWILC3000 provides a Serial Peripheral Interface (SPI) that operates as a SPI slave. The SPI Slave interface can be used for control and for serial I/O of 802.11 data. The SPI Slave pins are mapped as shown in [Table 9-4](#). The RXD pin is same as Master Output, Slave Input (MOSI), and the TXD pin is same as Master Input, Slave Output (MISO). The SPI Slave is a full-duplex slave-synchronous serial interface that is available immediately following reset when Pin 12 (SDIO\_SPI\_CFG) is tied to VDDIO.

**Table 9-4. SPI Slave Interface Pin Mapping**

Pin #	SPI Function
12	CFG: Must be tied to VDDIO
32	SSN: Active Low Slave Select
30	SCK: Serial Clock
34	RXD: Serial Data Receive (MOSI)
31	TXD: Serial Data Transmit (MISO)

When the SPI is not selected, i.e., when SSN is high, the SPI interface will not interfere with data transfers between the serial-master and other serial-slave devices. When the serial slave is not selected, its transmitted data output is buffered, resulting in a high impedance drive onto the serial master receive line.

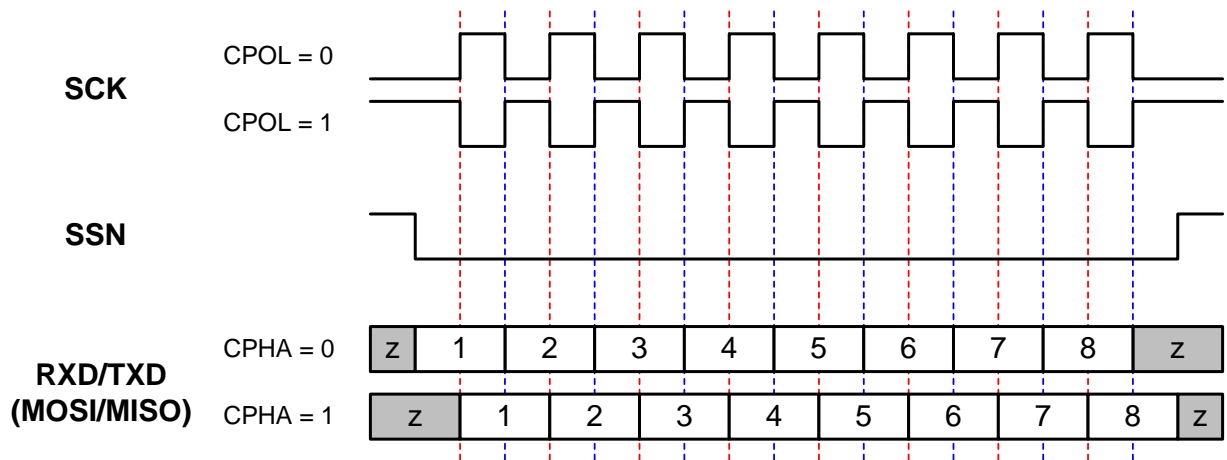
The SPI Slave interface responds to a protocol that allows an external host to read or write any register in the chip as well as initiate DMA transfers. For the details of the SPI protocol and more specific instructions refer to ATWILC3000 Programming Guide.

The SPI Slave interface supports four standard modes as determined by the Clock Polarity (CPOL) and Clock Phase (CPHA) settings. These modes are illustrated in [Table 9-5](#). The red lines in diagram correspond to Clock Phase = 0 and the blue lines correspond to Clock Phase = 1.

**Table 9-5. SPI Slave Modes**

Mode	CPOL	CPHA
0	0	0
1	0	1
2	1	0
3	1	1

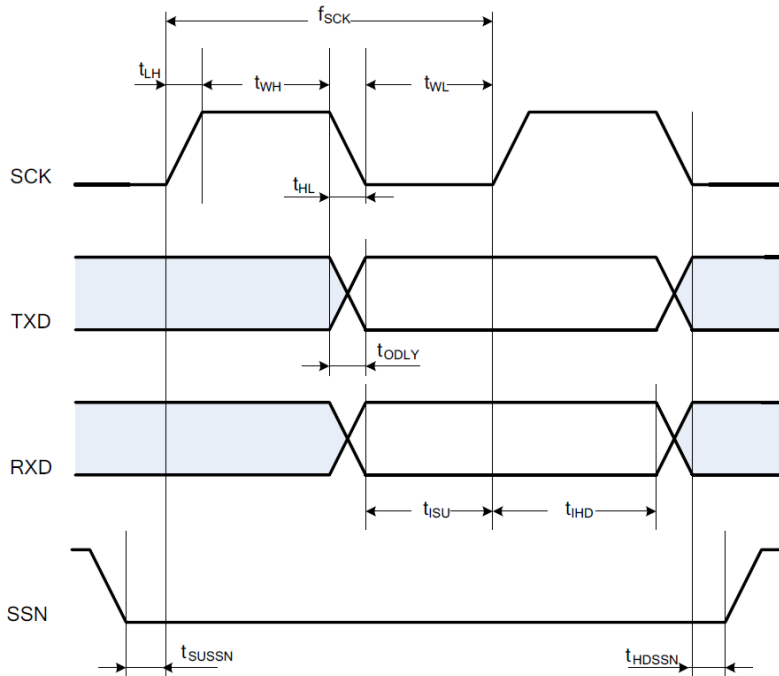
**Figure 9-3. SPI Slave Clock Polarity and Clock Phase Timing**



The SPI Slave timing is provided in [Figure 9-4](#).



**Figure 9-4. SPI Slave Timing Diagram**



**Table 9-6. SPI Slave Timing Parameters <sup>(1)</sup>**

Parameter	Symbol	Min.	Max.	Unit
Clock Input Frequency <sup>(2)</sup>	$f_{SCK}$		48	MHz
Clock Low Pulse Width	$t_{WL}$	6		ns
Clock High Pulse Width	$t_{WH}$	4		
Clock Rise Time	$t_{LH}$	0	7	
Clock Fall Time	$t_{HL}$	0	7	
TXD Output Delay <sup>(3)</sup>	$t_{ODLY}$	3	9 from SCK fall 11 from SCK rise	
RXD Input Setup Time	$t_{ISU}$	3		
RXD Input Hold Time	$t_{IHD}$	5		
SSN Input Setup Time	$t_{SUSN}$	5		
SSN Input Hold Time	$t_{HDSSN}$	5		

- Notes:
1. Timing is applicable to all SPI modes.
  2. Maximum clock frequency specified is limited by the SPI Slave interface internal design; actual maximum clock frequency can be lower and depends on the specific PCB layout.
  3. Timing based on 15pF output loading.

## 9.4 SPI Master Interface

ATWILC3000 provides a SPI Master interface for accessing external Flash memory. The SPI Master pins are mapped as shown in Table 9-7. The TXD pin is same as Master Output, Slave Input (MOSI), and the RXD pin is same as Master Input, Slave Output (MISO). The SPI Master interface supports all four standard modes of clock polarity and clock phase shown below. External SPI Flash memory is accessed by a processor

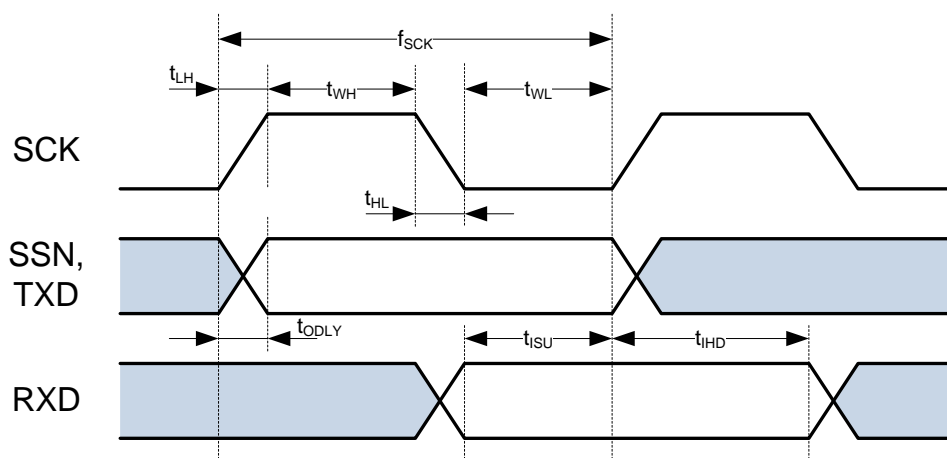
programming commands to the SPI Master interface, which in turn initiates a SPI master access to the Flash. For more specific instructions refer to ATWILC3000 Programming Guide.

**Table 9-7. SPI Master Interface Pin Mapping**

Pin #	Pin Name	SPI Function
20	GPIO3	SCK: Serial Clock Output
21	GPIO4	SCK: Active Low Slave Select Output
22	GPIO5	TXD: Serial Data Transmit Output (MOSI)
23	GPIO6	RXD: Serial Data Receive Input (MISO)

The SPI Master timing is provided in Figure 9-5 and Table 9-8.

**Figure 9-5. SPI Master Timing Diagram**



**Table 9-8. SPI Master Timing Parameters <sup>(1)</sup>**

Parameter	Symbol	Min.	Max.	Unit
Clock Output Frequency <sup>(2)</sup>	$f_{SCK}$		20	MHz
Clock Low Pulse Width	$t_{WL}$	19		ns
Clock High Pulse Width	$t_{WH}$	21		
Clock Rise Time <sup>(3)</sup>	$t_{LH}$		11	
Clock Fall Time <sup>(3)</sup>	$t_{HL}$		10	
RXD Input Setup Time	$t_{ISU}$	24		
RXD Input Hold Time	$t_{IHD}$	0		
SSN/TXD Output Delay <sup>(3)</sup>	$t_{ODLY}$	-5	3	

- Notes:
1. Timing is applicable to all SPI modes.
  2. Maximum clock frequency specified is limited by the SPI Master interface internal design; actual maximum clock frequency can be lower and depends on the specific PCB layout.
  3. Timing based on 15pF output loading.

## 9.5 SDIO Slave Interface

The ATWILC3000 SDIO Slave is a full speed interface. The interface supports the 1-bit/4-bit SD transfer mode at the clock range of 0-50MHz. The Host can use this interface to read and write from any register within the chip as well as configure the ATWILC3000 for data DMA. To use this interface, pin 12 (SDIO\_SPI\_CFG) must be grounded. The SDIO Slave pins are mapped as shown in [Table 9-9](#).

**Table 9-9. SDIO Interface Pin Mapping**

Pin #	SPI Function
12	CFG: Must be tied to ground
35	DAT3: Data 3
34	DAT2: Data 2
32	DAT1: Data 1
31	DAT0: Data 0
30	CMD: Command
29	CLK: Clock

When the SDIO card is inserted into an SDIO aware host, the detection of the card will be via the means described in SDIO specification. During the normal initialization and interrogation of the card by the host, the card will identify itself as an SDIO device. The host software will obtain the card information in a tuple (linked list) format and determine if that card's I/O function(s) are acceptable to activate. If the card is acceptable, it will be allowed to power up fully and start the I/O function(s) built into it.

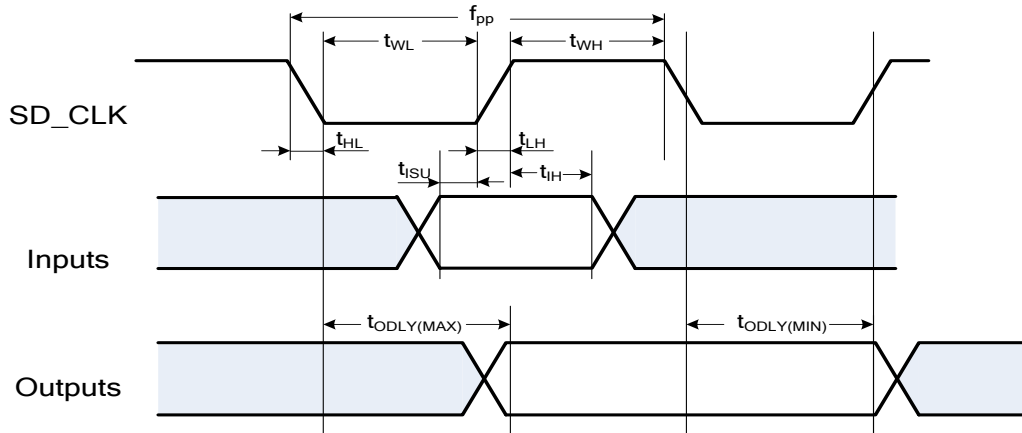
The SD memory card communication is based on an advanced 9-pin interface (Clock, Command, and four data and three power lines) designed to operate at maximum operating frequency of 50MHz.

The SDIO Slave interface has the following features:

- Meets SDIO card specification version 2.0
- Host clock rate variable between 0 and 50MHz
- 1 bit/4-bit SD bus modes supported
- Allows card to interrupt host
- Responds to Direct read/write (IO52) and Extended read/write (IO53) transactions
- Supports Suspend/Resume operation

The SDIO Slave interface timing is provided in [Figure 9-6](#) and [Table 9-10](#).

**Figure 9-6. SDIO Slave Timing Diagram**



**Table 9-10. SDIO Slave Timing Parameters**

Parameter	Symbol	Min.	Max.	Unit
Clock Input Frequency <sup>(1)</sup>	$f_{pp}$		50	MHz
Clock Low Pulse Width	$t_{WL}$	6		ns
Clock High Pulse Width	$t_{WH}$	7		
Clock Rise Time	$t_{LH}$	0	5	
Clock Fall Time	$t_{HL}$	0	5	
Input Setup Time	$t_{ISU}$	6		
Input Hold Time	$t_{IH}$	8		
Output Delay <sup>(2)</sup>	$t_{ODLY}$	3	11	

- Notes: 1. Maximum clock frequency specified is limited by the SDIO Slave interface internal design; actual maximum clock frequency can be lower and depends on the specific PCB layout.  
 2. Timing based on 15pF output loading.

## 9.6 UART

ATWILC3000 provides Universal Asynchronous Receiver/Transmitter (UART) interfaces for serial communication. The Bluetooth subsystem has two UART interfaces: a 4-pin interface for control, data transfer, and audio (BT UART1), and a 2-pin interface for debugging (BT UART2). The 802.11 subsystem has one 2-pin UART interface (Wi-Fi UART), which can be used for control, data transfer, or debugging. The UART interfaces are compatible with the RS-232 standard, where ATWILC3000 operates as Data Terminal Equipment (DTE). The 2-pin UART has receive and transmit pins (RXD and TXD), and the 4-pin UART has two additional pins used for flow control/handshaking: Request To Send (RTS) and Clear To Send (CTS). The pins associated with each UART interfaces can be enabled on several alternative pins by programming their corresponding pin MUX control registers (see below for available options).



Also note that the UART RTS and UART CTS are used for hardware flow control; they MUST be connected to the host MCU UART and enabled for the UART interface to be functional.

The UART features programmable baud rate generation with fractional clock division, which allows transmission and reception at a wide variety of standard and non-standard baud rates. The Bluetooth UART

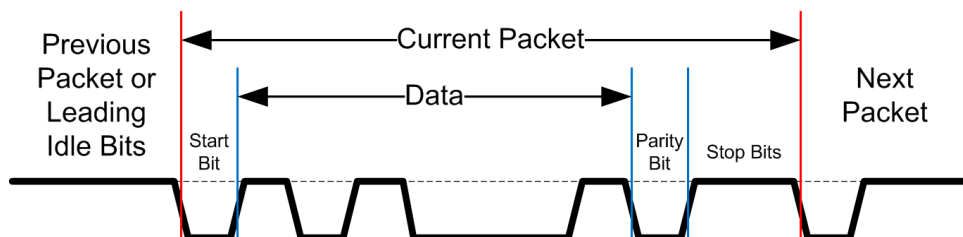
input clock is selectable between 104MHz, 52MHz, 26MHz, and 13MHz. The clock divider value is programmable as 13 integer bits and three fractional bits (with 8.0 being the smallest recommended value for normal operation). This results in the maximum supported baud rate of  $10\text{MHz} / 8.0 = 1.25\text{MBd}$ . The 802.11 UART input clock is selectable between 10MHz, 5MHz, 2.5MHz, and 1.25MHz. The clock divider value is programmable as 13 integer bits and three fractional bits (with 8.0 being the smallest recommended value for normal operation). This results in the maximum supported baud rate of  $10\text{MHz} / 8.0 = 1.25\text{MBd}$ .

The UART can be configured for seven or eight bit operation, with or without parity, with four different parity types (odd, even, mark, or space), and with one or two stop bits. It also has RX and TX FIFOs, which ensure reliable high speed reception and low software overhead transmission. FIFO size is 4x8 for both RX and TX direction. The UART also has status registers showing the number of received characters available in the FIFO and various error conditions, as well the ability to generate interrupts based on these status bits.

An example of UART receiving or transmitting a single packet is shown in [Figure 9-7](#). This example shows 7-bit data (0x45), odd parity, and two stop bits.

For more specific instructions, refer to ATWILC3000 Programming Guide.

**Figure 9-7. Example of UART RX or TX Packet**



## 9.7 PCM Interface

ATWILC3000 provides a PCM/IOM interface for Bluetooth audio. This interface is compatible with industry standard PCM and IOM2 compliant devices, such as audio codecs, line interfaces, TDM switches, and others. The PCM audio interface supports both master and slave modes, full duplex operation, mono, and stereo. The interface operates at 8kHz frame rate and supports bit rates up to 512 bits/frame (4.096Mbps). The PCM interface pins are mapped as shown in [Table 9-11](#).

**Table 9-11. ATWILC3000 PCM Interface Pin Mapping**

Pin #	PCM Function
36	CLK: Bi-directional clock input/output
37	SYNC: Bi-directional Frame sync (mono) or Left-Right Channel identifier (stereo)
38	D_IN: Serial data input
39	D_OUT: Serial data output

## 9.8 GPIOs

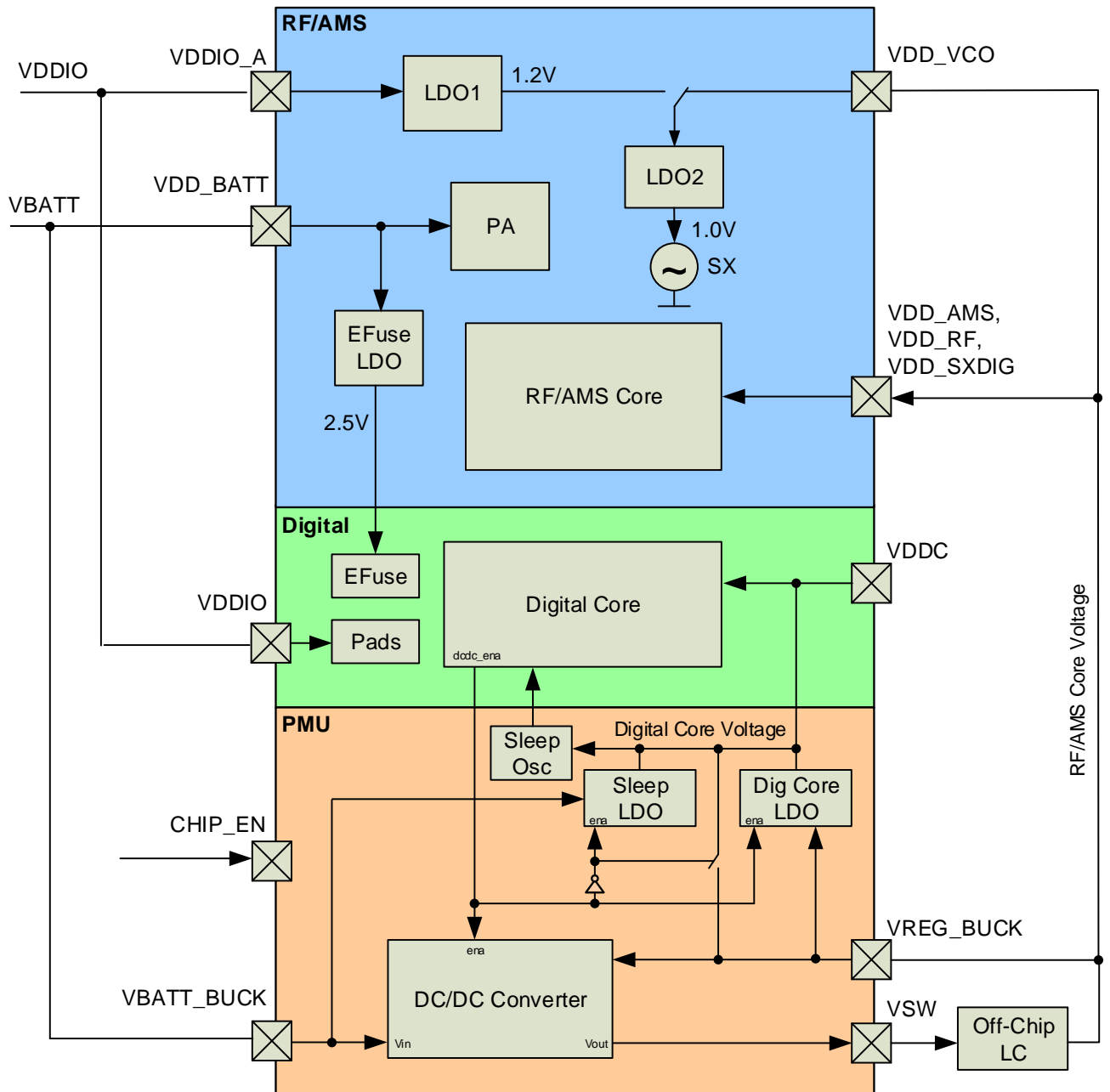
18 General Purpose Input/Output (GPIO) pins, labeled GPIO 0-8 and 13-21, are available to allow for application specific functions. Each GPIO pin can be programmed as an input (the value of the pin can be read by the host or internal processor) or as an output (the output values can be programmed by the host or internal processor), where the default mode after power-up is input. GPIOs 7 and 8 are only available when the host does not use the SDIO interface, which shares two of its pins with these GPIOs. Therefore, for SDIO-based applications, 16 GPIOs (0-6 and 13-21) are available. For more specific instructions refer to ATWILC3000 Programming Guide.

# 10 Power Management

## 10.1 Power Architecture

ATWILC3000 uses an innovative power architecture to eliminate the need for external regulators and reduce the number of off-chip components. This architecture is shown in Figure 10-1. The Power Management Unit (PMU) has a DC/DC Converter that converts VBAT to the core supply used by the digital and RF/AMS blocks. In Table 10-1 the typical values for the digital and RF/AMS core voltages are shown. The PA and eFuse are supplied by dedicated LDOs, and the VCO is supplied by a separate LDO structure.

Figure 10-1. Power Architecture



**Table 10-1. PMU Output Voltages**

Parameter	Typical
RF/AMS Core Voltage (VREG_BUCK)	1.3V
Digital Core Voltage (VDDC)	1.1V

The power connections shown provide a conceptual framework for understanding the ATWILC3000 power architecture. Refer to the reference design for an example of power supply connections, including proper isolation of the supplies used by the digital and RF/AMS blocks.

## 10.2 Power Consumption

### 10.2.1 Description of Device States

ATWILC3000 has several device states:

- ON\_WiFi\_Transmit – Device is actively transmitting an 802.11 signal
- ON\_WiFi\_Receive – Device is actively receiving an 802.11 signal
- ON\_BT\_Transmit – Device is actively transmitting a Bluetooth signal
- ON\_BT\_Receive – Device is actively receiving a Bluetooth signal
- ON\_Doze – Device is on but is neither transmitting nor receiving
- Power\_Down – Device core supply off (Leakage)

The following pins are used to switch between the ON and Power\_Down states:

- CHIP\_EN – Device pin (pin #27) used to enable DC/DC Converter
- VDDIO – I/O supply voltage from external supply

In the ON states, VDDIO is on and CHIP\_EN is high (at VDDIO voltage level). To switch between the ON states and Power\_Down state CHIP\_EN has to change between high and low (GND) voltage. When VDDIO is off and CHIP\_EN is low, the chip is powered off with minimal leakage (also see Section 10.2.3).

### 10.2.2 Current Consumption in Various Device States

**Table 10-2. Current Consumption**

Device State	Code Rate	Output Power, dBm	Power Consumption <sup>(1)</sup>	
			I <sub>BAT</sub>	I <sub>VDDIO</sub>
ON_WiFi_Transmit	802.11b 1Mbps	19.2	325mA	2.7mA
	802.11b 11Mbps	20.1	322mA	2.7mA
	802.11g 6Mbps	17.8	298mA	2.7mA
	802.11g 54Mbps	16.2	280mA	2.7mA
	802.11n MCS 0	19.5	295mA	2.7mA
	802.11n MCS 7	15.3	281mA	2.7mA
ON_WiFi_Receive	802.11b 1Mbps	N/A	83.7mA	2.5mA
	802.11b 11Mbps	N/A	84.9mA	2.5mA
	802.11g 6Mbps	N/A	85.8mA	2.5mA
	802.11g 54Mbps	N/A	90.1mA	2.5mA

Device State	Code Rate	Output Power, dBm	Power Consumption <sup>(1)</sup>	
			I <sub>VBAT</sub>	I <sub>VDDIO</sub>
	802.11n MCS 0	N/A	86mA	2.5mA
	802.11n MCS 7	N/A	91.8mA	2.5mA
ON_BT_Transmit	BLE 4.0 1Mbps	8	110mA	<2.5mA
ON_BT_Receive	BLE 4.0 1Mbps	N/A	<45mA	<2.5mA
Doze	N/A	N/A	<0.7mA	<7μA
Power_Down	N/A	N/A	<0.5μA	<0.2μA

Note: 1. Conditions: VBAT @3.6v, VDDIO @2.8V, 25°C.

### 10.2.3 Restrictions for Power States

When no power supplied to the device, i.e., the DC/DC Converter output and VDDIO are both off (at ground potential). In this case, a voltage cannot be applied to the device pins because each pin contains an ESD diode from the pin to supply. This diode will turn on when voltage higher than one diode-drop is supplied to the pin.

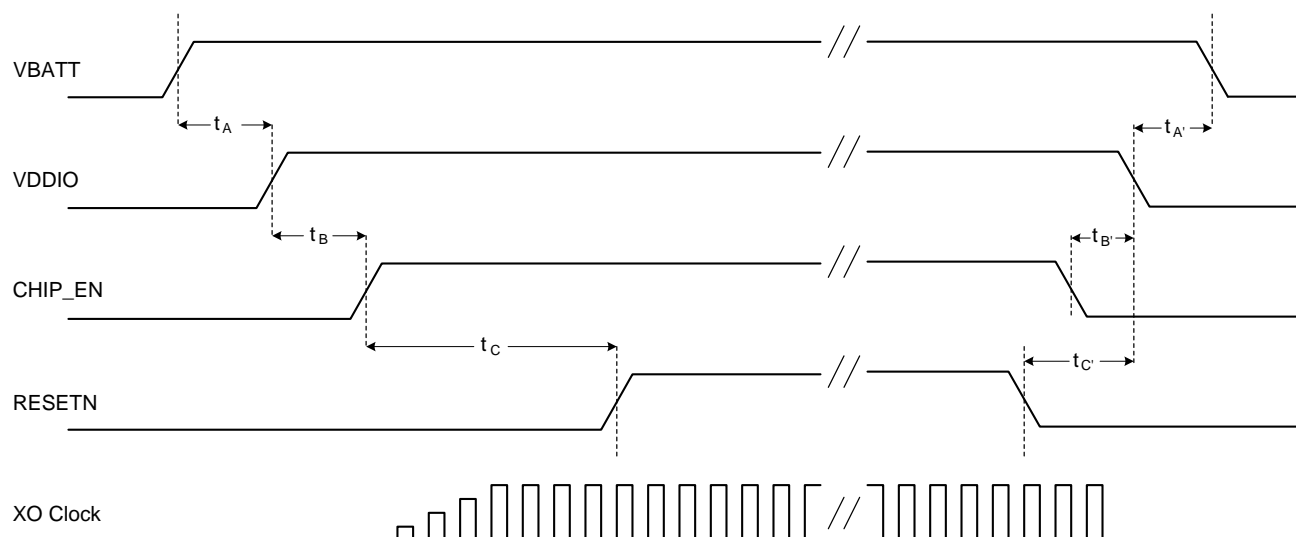
If a voltage must be applied to the signal pads while the chip is in a low power state, the VDDIO supply must be on, so the SLEEP or Power\_Down state must be used.

Similarly, to prevent the pin-to-ground diode from turning on, do not apply a voltage that is more than one diode-drop below ground to any pin.

## 10.3 Power-Up/Down Sequence

The power-up/down sequence for ATWILC3000 is shown in Figure 10-2. The timing parameters are provided in Table 10-3.

Figure 10-2. Power Up/Down Sequence





**Table 10-3. Power-Up/Down Sequence Timing**

Parameter	Min.	Max.	Unit	Description	Notes
t <sub>A</sub>	0		ms	VBAT rise to VDDIO rise	VBAT and VDDIO can rise simultaneously or can be tied together. VDDIO must not rise before VBAT.
t <sub>B</sub>	0			VDDIO rise to CHIP_EN rise	CHIP_EN must not rise before VDDIO. CHIP_EN must be driven high or low, not left floating.
t <sub>C</sub>	5			CHIP_EN rise to RESETN rise	This delay is needed because XO clock must stabilize before RESETN removal. RESETN must be driven high or low, not left floating.
t <sub>A'</sub>	0			VDDIO fall to VBAT fall	VBAT and VDDIO can fall simultaneously or can be tied together. VBAT must not fall before VDDIO.
t <sub>B'</sub>	0			CHIP_EN fall to VDDIO fall	VDDIO must not fall before CHIP_EN. CHIP_EN and RESETN can fall simultaneously.
t <sub>C'</sub>	0			RESETN fall to VDDIO fall	VDDIO must not fall before RESETN. RESETN and CHIP_EN can fall simultaneously.

## 10.4 Digital I/O Pin Behavior during Power-Up Sequences

Table 10-4 represents digital I/O Pin states corresponding to device power modes.

**Table 10-4. Digital I/O Pin Behavior in Different Device States**

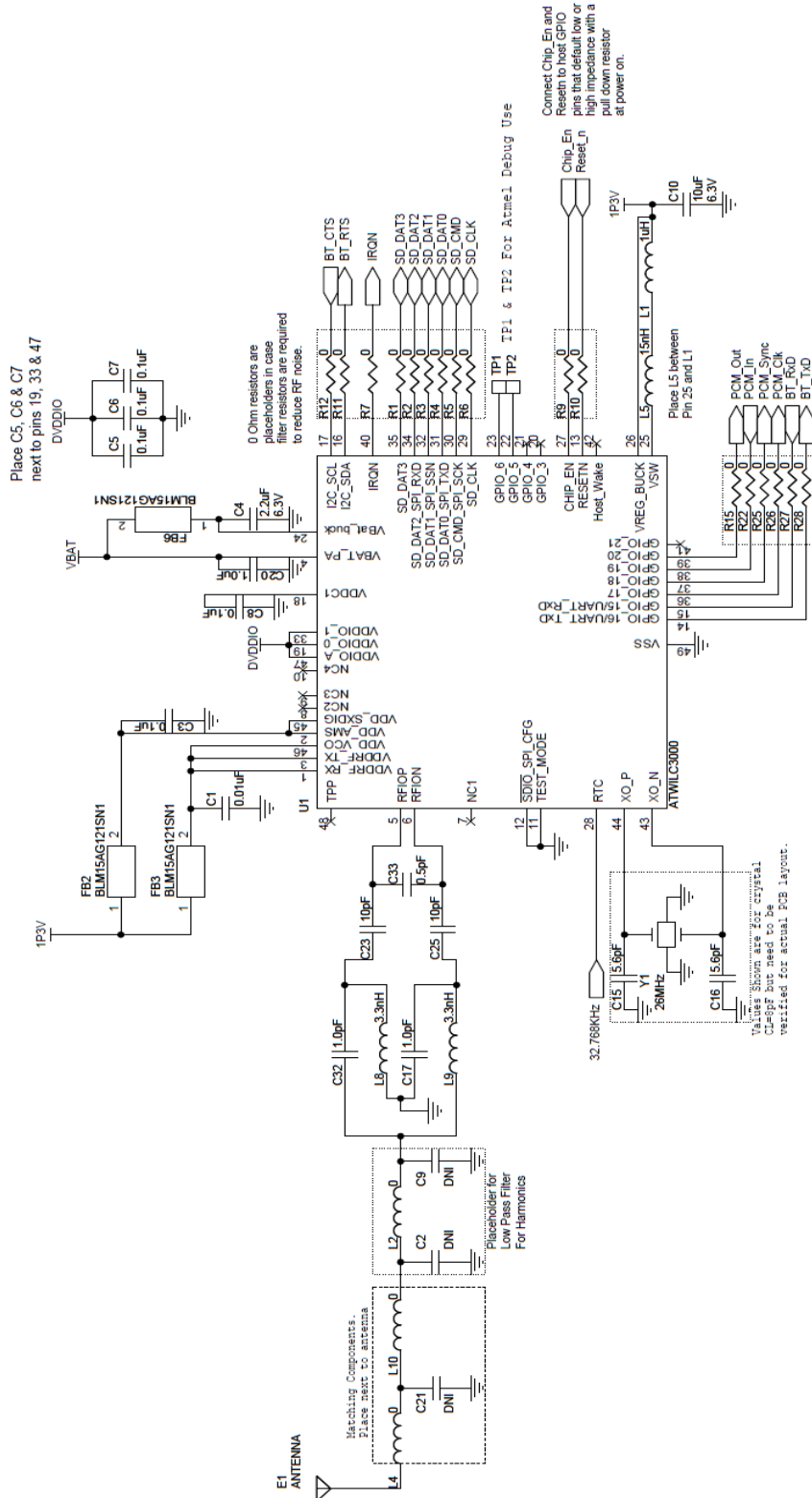
Device State	VDDIO	CHIP_EN	RESETN	Output Driver	Input Driver	Pull Up/Down Resistor <sup>(1)</sup>
Power_Down: core supply off	High	Low	Low	Disabled (Hi-Z)	Disabled	Disabled
Power-On Reset: core supply on, hard reset on	High	High	Low	Disabled (Hi-Z)	Disabled	Enabled
Power-On Default: core supply on, device out of reset but not programmed yet	High	High	High	Disabled (Hi-Z)	Enabled	Enabled
On_Doze/ On_Transmit/ On_Receive: core supply on, device programmed by firmware	High	High	High	Programmed by firmware for each pin: Enabled or Disabled	Opposite of Output Driver state	Programmed by firmware for each pin: Enabled or Disabled

Note: 1. The programmable Pull-up/Pull-down resistor value is 96kΩ ±10%.

# 11 Reference Design

The ATWILC3000 reference design schematic is shown in Figure 11-1.

Figure 11-1. ATWILC3000 Reference Schematic



## 12 Reference Design Guidelines

- RFIOP and RFION pins must be AC coupled
- It is recommended that the balun is located right next to the pins – if this is not possible, RFIOP and RFION should be routed as 50 $\Omega$  differential pair to the balun
- ATWILC3000 provides programmable pull-up resistors on various pins (see [Table 3-1](#)). The purpose of these resistors is to keep any unused input pins from floating which can cause excess current to flow through the input buffer from the VDDIO supply. Any unused pin on the device should leave these pull-up resistors enabled so the pin will not float.

The default state at power up is for the pull-up resistor to be enabled. However, any pin, which is used, should have the pull-up resistor disabled. The reason for this is that if any pins are driven to a low level while the device is in the low power sleep state, current will flow from the VDDIO supply through the pull-up resistors, increasing the current consumption of the module.

Since the value of the pull-up resistor is approximately 100k $\Omega$ , the current through any pull-up resistor that is being driven low will be VDDIO/100K. For VDDIO = 3.3V, the current would be approximately 33 $\mu$ A.

Pins which are used and have had the programmable pull-up resistor disabled should always be actively driven to either a high or low level and not be allowed to float

- If SDIO interface is used, each SDIO pin should use a 70 $\Omega$  resistor in series for RF noise filtering
- Refer to ATWILC3000 Programming Guide for information on enabling/disabling the programmable pull-up resistors

## 13 Reflow Profile Information

This chapter provides guidelines for reflow processes in getting the Atmel module soldered to the customer's design.

### 13.1 Storage Condition

#### 13.1.1 Moisture Barrier Bag Before Opened

A moisture barrier bag must be stored in a temperature of less than 30°C with humidity under 85% RH.

The calculated shelf life for the dry-packed product shall be 12 months from the date the bag is sealed.

#### 13.1.2 Moisture Barrier Bag Open

Humidity indicator cards must be blue, < 30%.

### 13.2 Stencil Design

The recommended stencil is laser-cut, stainless-steel type with thickness of 100µm to 130µm and approximately a 1:1 ratio of stencil opening to pad dimension. To improve paste release, a positive taper with bottom opening 25µm larger than the top can be utilized. Local manufacturing experience may find other combinations of stencil thickness and aperture size to get good results.

### 13.3 Baking Conditions

This module is rated at MSL level 3. After sealed bag is opened, no baking is required within 168 hours so long as the devices are held at ≤30°C/60% RH or stored at <10% RH.

The module will require baking before mounting if:

- The sealed bag has been open for >168 hours
- Humidity Indicator Card reads >10%
- SIPs need to be baked for 8 hours at 125°C

### 13.4 Soldering and Reflow Condition

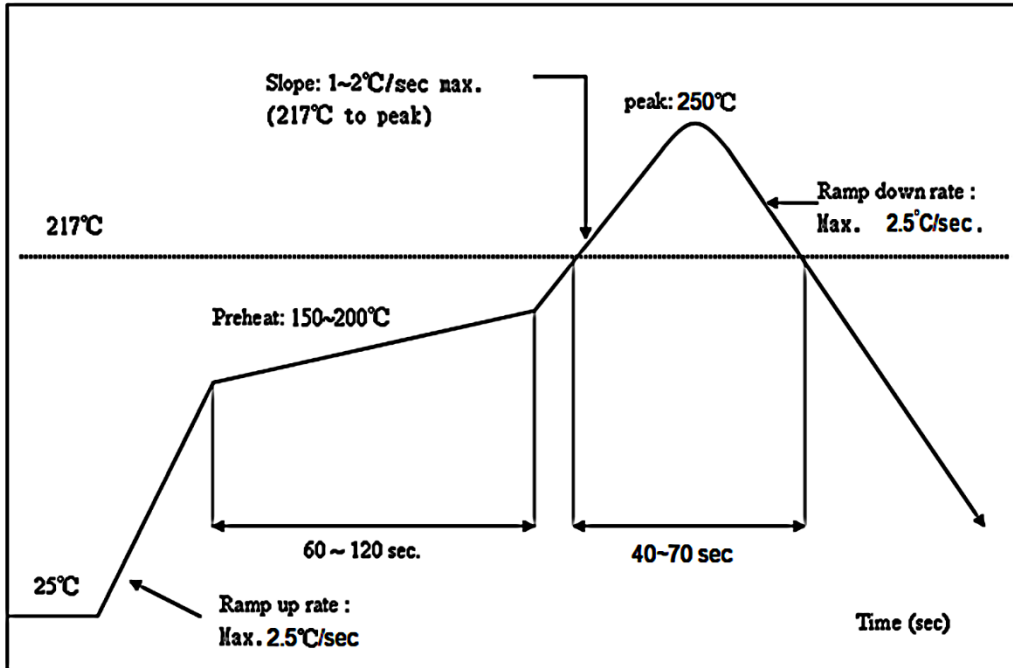
#### 13.4.1 Reflow Oven

It is strongly recommended that a reflow oven equipped with more heating zones and Nitrogen atmosphere be used for lead-free assembly. Nitrogen atmosphere has shown to improve the wet-ability and reduce temperature gradient across the board. It can also enhance the appearance of the solder joints by reducing the effects of oxidation.

The following bullet items should also be observed in the reflow process:

- Some recommended pastes include NC-SMQ® 230 flux and Indalloy® 241 solder paste made up of 95.5 Sn/3.8 Ag/0.7 Cu or SENJU N705-GRN3360-K2-V Type 3, no clean paste
- Allowable reflow soldering times: 3 times based on the following reflow soldering profile (see [Figure 13-1](#))
- Temperature profile: Reflow soldering shall be done according to the following temperature profile (see [Figure 13-1](#))
- Peak temp.: 250°C

Figure 13-1. Solder Reflow Profile



## 14 Reference Documentation and Support

Atmel offers a set of collateral documentation to ease integration and device ramp.

The following list of documents available on Atmel web or integrated into development tools.

To enable fast development contact your local FAE or visit the <http://www.atmel.com/>.

Title	Content
Datasheet	This document
Design Files Package	User Guide, Schematic, PCB layout, Gerber, BOM, and System notes on: RF/Radio Full Test Report, radiation pattern, design guidelines, temperature performance, ESD.
Platform Getting Started Guide	How to use package: Out of the Box starting guide, HW limitations, and notes, SW Quick start guidelines.
HW Design Guide	Best practices and recommendations to design a board with the product, including: Antenna Design for Wi-Fi (layout recommendations, types of antennas, impedance matching, using a power amplifier etc.), SPI/UART protocol between Wi-Fi SoC and the Host MCU.
SW Design Guide	Integration guide with clear description of: High level Arch, overview on how to write a networking application, list all API, parameters, and structures. Features of the device, SPI/handshake protocol between device and host MCU, with flow/sequence/state diagram, timing.
SW Programmer Guide	Explain in details the flow chart and how to use each API to implement all generic use cases (e.g. start AP, start STA, provisioning, UDP, TCP, http, TLS, p2p, errors management, connection/transfer recovery mechanism/state diagram) - usage and sample application note.

For a complete listing of development-support tools and documentation, visit <http://www.atmel.com/>, or contact the nearest Atmel field representative.

## 15 Revision History

Doc Rev.	Date	Comments
42390D	05/2016	<ol style="list-style-type: none"> <li>1. Updated Features, Bluetooth to say Bluetooth 4.0 (Basic Rate, Enhanced Rate, and BLE). Added Bluetooth Certifications</li> <li>2. Replaced VBATT with VBAT to match schematics.</li> <li>3. Revised Package information in <a href="#">Table 3-2</a>.</li> <li>4. Revised PPM values from 200 to 500ppm in Chapter 5.</li> <li>5. Revised <a href="#">Table 7-2</a> transmitter performance values and note 2.</li> <li>6. Revised the values and note in <a href="#">Table 8-2</a></li> <li>7. Revised SPI Slave Timing parameters in <a href="#">Table 9-6</a>.</li> <li>8. Revised SPI Master Timing parameters in <a href="#">Table 9-8</a>.</li> <li>9. Revised SDIO Slave Timing parameters in <a href="#">Table 9-10</a>.</li> <li>10. Add text in Section 9.6 regarding flow control usage.</li> <li>11. Revised Current consumption values in <a href="#">Table 10-2</a>.</li> <li>12. Updated Package drawing to include solder paddle pad in <a href="#">Figure 3-2</a>.</li> <li>13. Added Reflow profile in Chapter 13.</li> <li>14. Revised tolerance for thickness in <a href="#">Table 3-2</a> for QFN package information.</li> <li>15. Added footnote for Pull-up/Pull-Down ohm value in <a href="#">Table 10-4</a>.</li> </ol>
42390C	07/2015	<ol style="list-style-type: none"> <li>1. Modified sections <a href="#">10.2.1</a> and <a href="#">10.2.2</a> to add new current consumption numbers, update state names, and correct some typos</li> <li>2. Fixed typos for SPI Slave interface timing in <a href="#">Table 9-6</a></li> <li>3. Fixed typos for battery supply name: changed from VBAT to VBATT</li> <li>4. Corrected PMU output voltages in <a href="#">Table 10-1</a></li> <li>5. Updated reference schematic drawing in section 11</li> <li>6. Added comment regarding resistors on SDIO pins in section 12</li> <li>7. Updated power architecture drawing in section 10.1</li> <li>8. Added pad drive strength in <a href="#">Table 4-3</a> and removed the note under <a href="#">Table 3-1</a></li> <li>9. Updated operating temperature in the feature list</li> <li>10. Corrected current in Power_Down state in <a href="#">Table 10-2</a></li> <li>11. Miscellaneous minor formatting and content corrections</li> </ol>
42390B	03/2015	DS update new Atmel format.
42390A	01/2015	Initial document release.



Atmel®, Atmel logo and combinations thereof, Enabling Unlimited Possibilities®, and others are registered trademarks or trademarks of Atmel Corporation in U.S. and other countries. Other terms and product names may be trademarks of others.

DISCLAIMER: The information in this document is provided in connection with Atmel products. No license, express or implied, by estoppel or otherwise, to any intellectual property right is granted by this document or in connection with the sale of Atmel products. EXCEPT AS SET FORTH IN THE ATMEL TERMS AND CONDITIONS OF SALES LOCATED ON THE ATMEL WEBSITE, ATMEL ASSUMES NO LIABILITY WHATSOEVER AND DISCLAIMS ANY EXPRESS, IMPLIED OR STATUTORY WARRANTY RELATING TO ITS PRODUCTS INCLUDING, BUT NOT LIMITED TO, THE IMPLIED WARRANTY OF MERCHANTABILITY, FITNESS FOR A PARTICULAR PURPOSE, OR NON-INFRINGEMENT. IN NO EVENT SHALL ATMEL BE LIABLE FOR ANY DIRECT, INDIRECT, CONSEQUENTIAL, PUNITIVE, SPECIAL OR INCIDENTAL DAMAGES (INCLUDING, WITHOUT LIMITATION, DAMAGES FOR LOSS AND PROFITS, BUSINESS INTERRUPTION, OR LOSS OF INFORMATION) ARISING OUT OF THE USE OR INABILITY TO USE THIS DOCUMENT, EVEN IF ATMEL HAS BEEN ADVISED OF THE POSSIBILITY OF SUCH DAMAGES. Atmel makes no representations or warranties with respect to the accuracy or completeness of the contents of this document and reserves the right to make changes to specifications and products descriptions at any time without notice. Atmel does not make any commitment to update the information contained herein. Unless specifically provided otherwise, Atmel products are not suitable for, and shall not be used in, automotive applications. Atmel products are not intended, authorized, or warranted for use as components in applications intended to support or sustain life.

SAFETY-CRITICAL, MILITARY, AND AUTOMOTIVE APPLICATIONS DISCLAIMER: Atmel products are not designed for and will not be used in connection with any applications where the failure of such products would reasonably be expected to result in significant personal injury or death ("Safety-Critical Applications") without an Atmel officer's specific written consent. Safety-Critical Applications include, without limitation, life support devices and systems, equipment or systems for the operation of nuclear facilities and weapons systems. Atmel products are not designed nor intended for use in military or aerospace applications or environments unless specifically designated by Atmel as military-grade. Atmel products are not designed nor intended for use in automotive applications unless specifically designated by Atmel as automotive-grade.



# Mouser Electronics

Authorized Distributor

Click to View Pricing, Inventory, Delivery & Lifecycle Information:

[Atmel:](#)

[ATWILC3000A-MU-T](#)