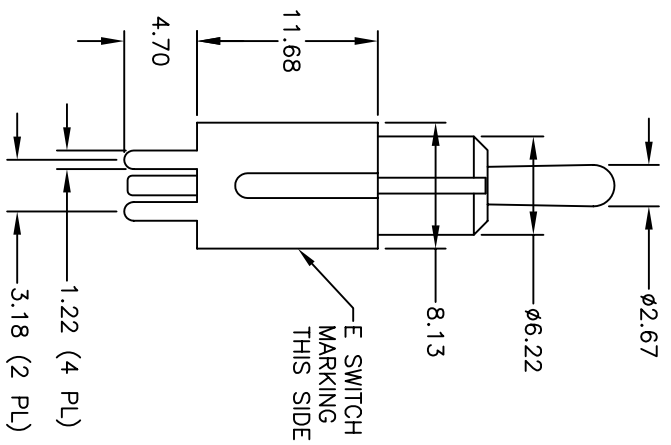
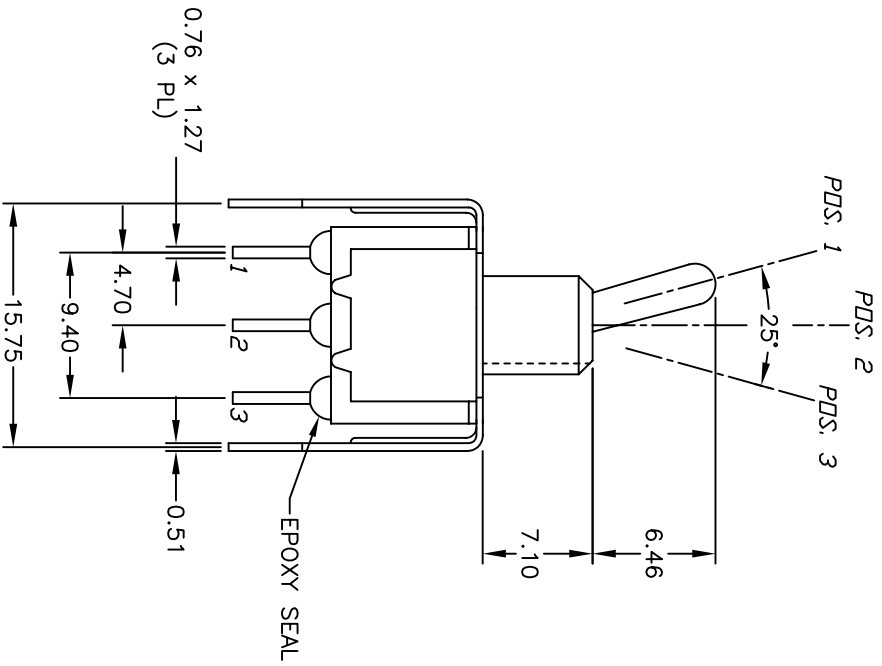


SPDT CIRCUIT

| SWITCH FUNCTION |        |        |
|-----------------|--------|--------|
| POS. 1          | POS. 2 | POS. 3 |
| DN              | NONE   | DN     |
| 2-3             | OPEN   | 2-1    |

CONTACT CONFIGURATION



NOTES:

1. ALL DIMENSIONS IN MM
2. GENERAL TOLERANCE: 0.0±0.4  
0.00±0.25
3. TERMINAL NUMBERS FOR REF ONLY
4. RATING: 5 AMPS @ 120VAC OR 28VDC;  
2 AMPS @ 250VAC
5. ELECTRIC LIFE: 50,000 make-and-break cycles  
at full load.
6. INSULATION RESISTANCE: 1,000 Mega-ohm min.
7. DIELECTRIC STRENGTH: 1,000 V RMS @sea level.
8. OPERATING TEMP.: -30°C to 85°C



|      |         |                         |         |      |
|------|---------|-------------------------|---------|------|
| B    | 15970   | 6.46 DIM. WAS 6.86      | 4/18/06 | CT   |
| A    | 10689   | RELEASED FOR PRODUCTION | 6/16/00 | GLG  |
| REV. | ECN No. | DESCRIPTION             | DATE    | CHKD |

|                       |  |       |  |         |  |     |  |         |  |     |  |
|-----------------------|--|-------|--|---------|--|-----|--|---------|--|-----|--|
| TITLE                 |  | SCALE |  | DATE    |  | DR  |  | DWG     |  | REV |  |
| 100 SP1 T2 B4 VS2 Q E |  | 2:1   |  | 6/16/00 |  | GLG |  | T111093 |  | B   |  |

THE INFORMATION CONTAINED IN THIS DOCUMENT IS PROPRIETARY TO E-SWITCH AND IS NOT TO BE COPIED OR TRANSFERRED