



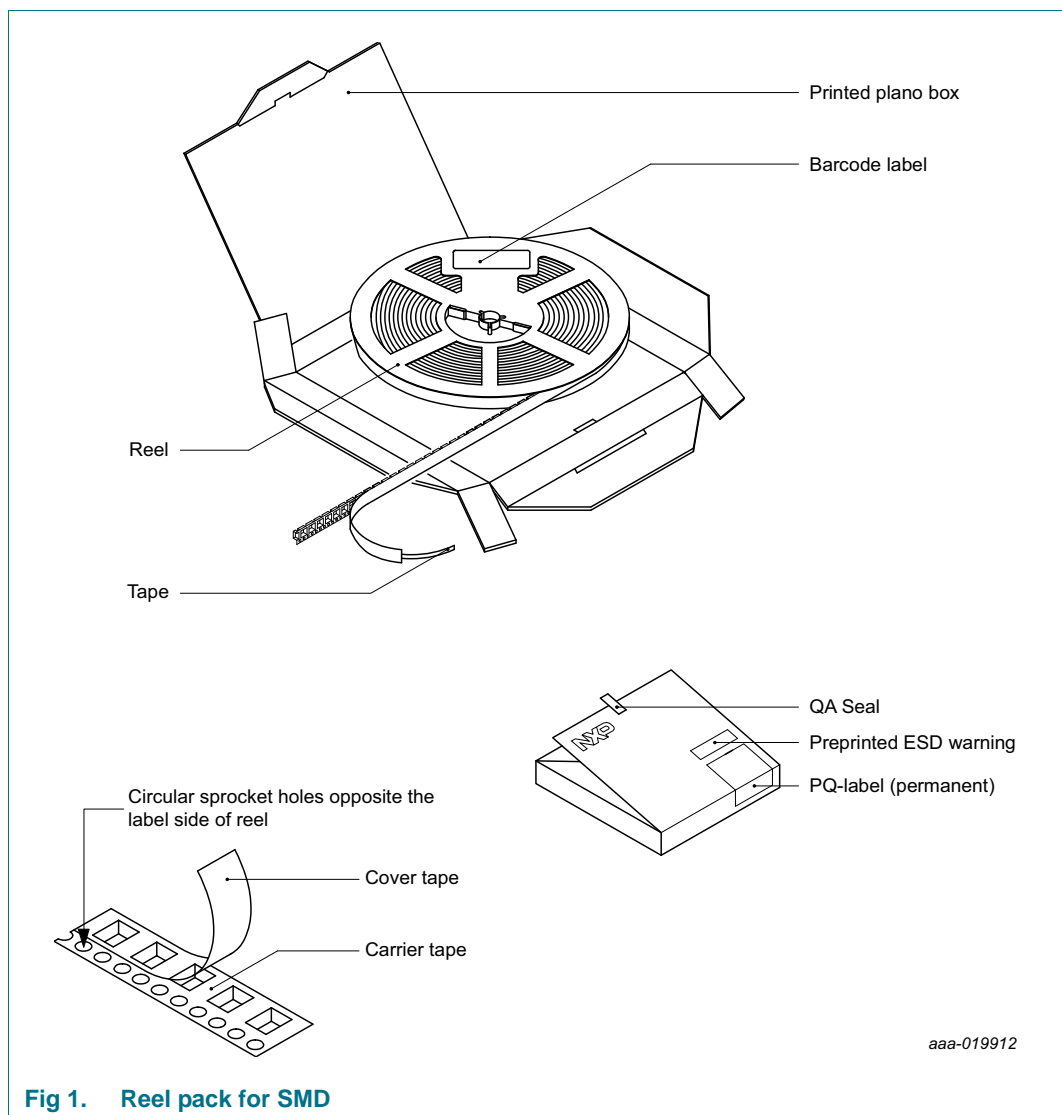
# SOT1883-1

HX2QFN16; Reel pack, SMD, 7"  
Q2/T3 standard product orientation  
Orderable part number ending ,147 or Z  
Ordering code (12NC) ending 147

Rev. 1 — 14 February 2017

Packing information

## 1. Packing method



HX2QFN16; Reel pack, SMD, 7"  
 Q2/T3 standard product orientation  
 Orderable part number ending ,147 or Z  
 Ordering code (12NC) ending 147

Table 1. Dimensions and quantities

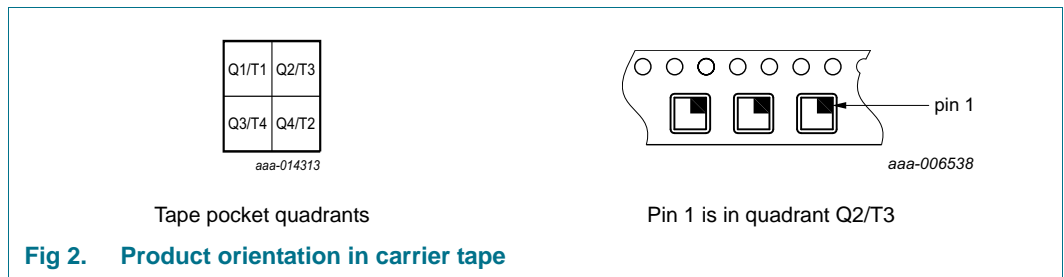
Reel dimensions d × w (mm) [1]	SPQ/PQ (pcs) [2]	Reels per box	Outer box dimensions l × w × h (mm)
180 × 12	4000	1	191 × 191 × 30

[1] d = reel diameter; w = tape width.

[2] Packing quantity dependent on specific product type.

View ordering and availability details at [NXP order portal](#), or contact your local NXP representative.

## 2. Product orientation



## 3. Carrier tape dimensions

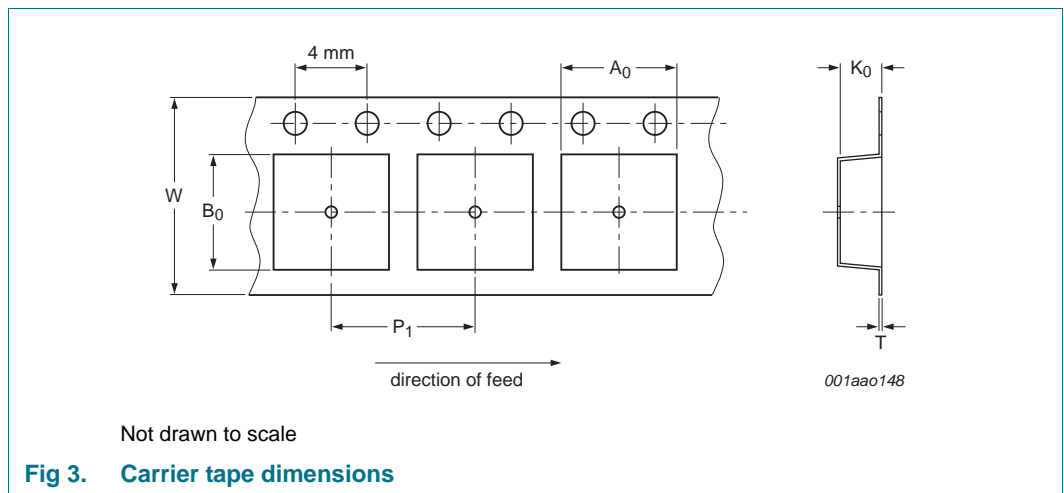
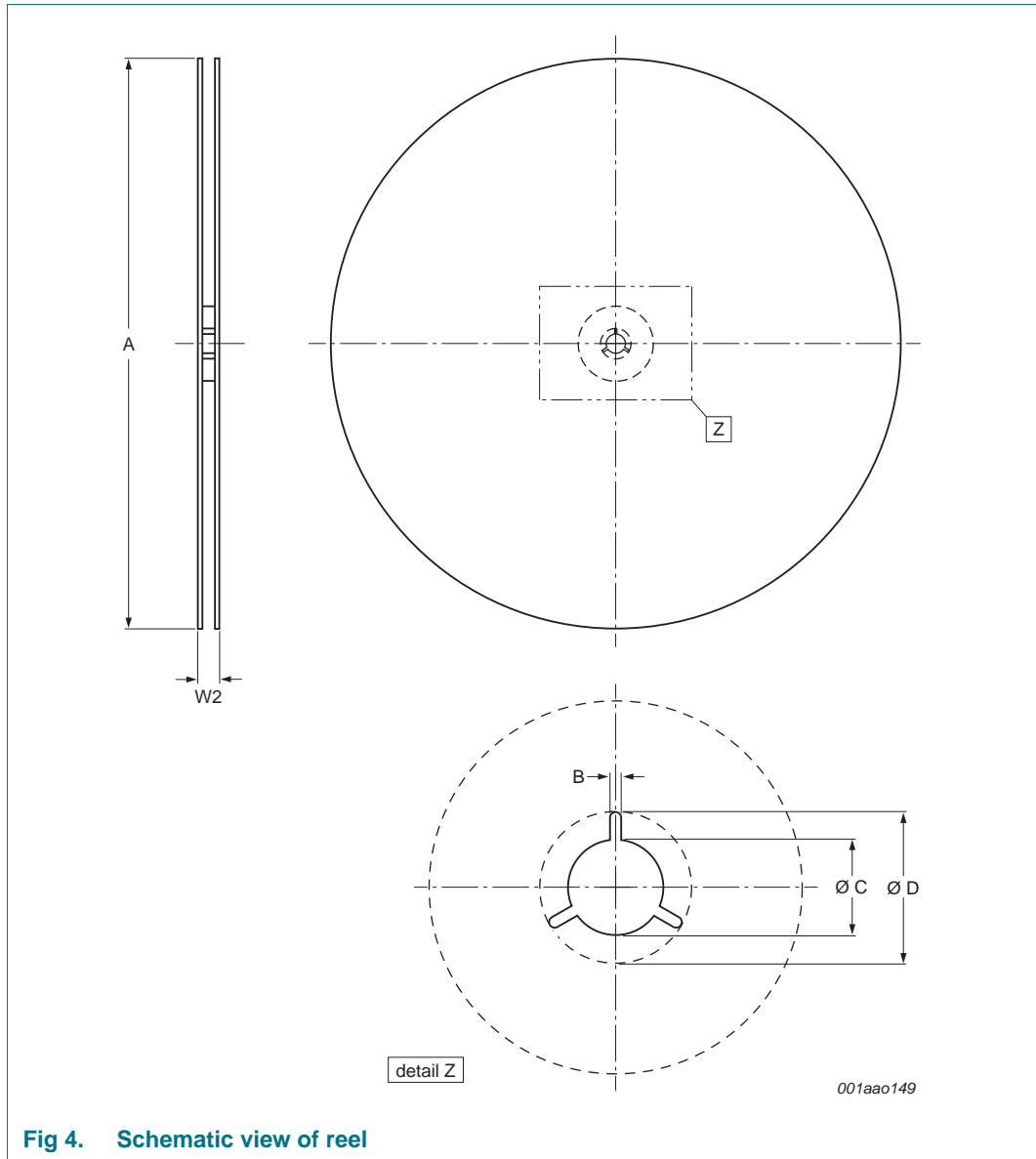


Table 2. Carrier tape dimensions

In accordance with IEC 60286-3.

A <sub>0</sub> (mm)	B <sub>0</sub> (mm)	K <sub>0</sub> (mm)	T (mm)	P <sub>1</sub> (mm)	W (mm)
2.80 ± 0.05	2.80 ± 0.05	0.55 ± 0.05	0.20 ± 0.05	4.0 ± 0.1	12.0 ± 0.3

**4. Reel dimensions**



**Fig 4. Schematic view of reel**

**Table 3. Reel dimensions**  
 In accordance with IEC 60286-3.

A [nom] (mm)	W2 [max] (mm)	B [min] (mm)	C [min] (mm)	D [min] (mm)
180	18.4	1.5	12.8	20.2

HX2QFN16; Reel pack, SMD, 7"  
 Q2/T3 standard product orientation  
 Orderable part number ending ,147 or Z  
 Ordering code (12NC) ending 147

5. Barcode label

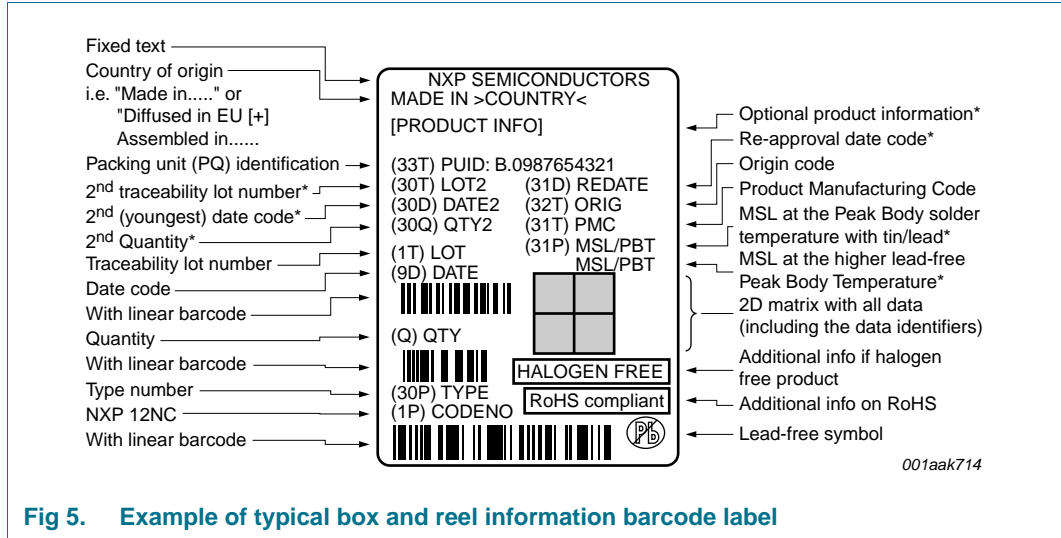


Fig 5. Example of typical box and reel information barcode label

Table 4. Barcode label dimensions

Box barcode label l × w (mm)	Reel barcode label l × w (mm)
100 × 75	100 × 75

HX2QFN16; Reel pack, SMD, 7"  
Q2/T3 standard product orientation  
Orderable part number ending ,147 or Z  
Ordering code (12NC) ending 147

## 6. Revision history

Table 5. Revision history

Document ID	Release date	Packing document status	Change notice	Supersedes
SOT1883-1_147	20170214	Packing information	-	-

### Limited warranty and liability

Information in this document is believed to be accurate and reliable. However, NXP Semiconductors does not give any representations or warranties, expressed or implied, as to the accuracy or completeness of such information and shall have no liability for the consequences of use of such information.

© NXP Semiconductors N.V. 2017.

For more information, please visit: <http://www.nxp.com>  
For sales office addresses, please send an email to: [salesaddresses@nxp.com](mailto:salesaddresses@nxp.com)

All rights reserved.

Date of release: 14 February 2017  
Document identifier: SOT1883-1\_147