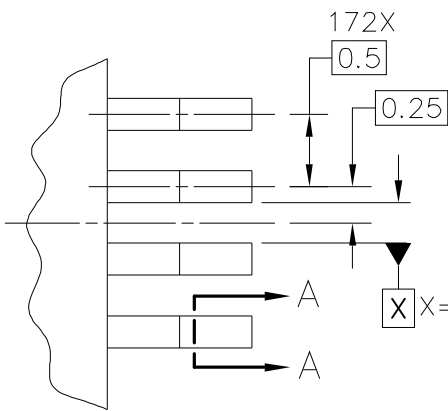
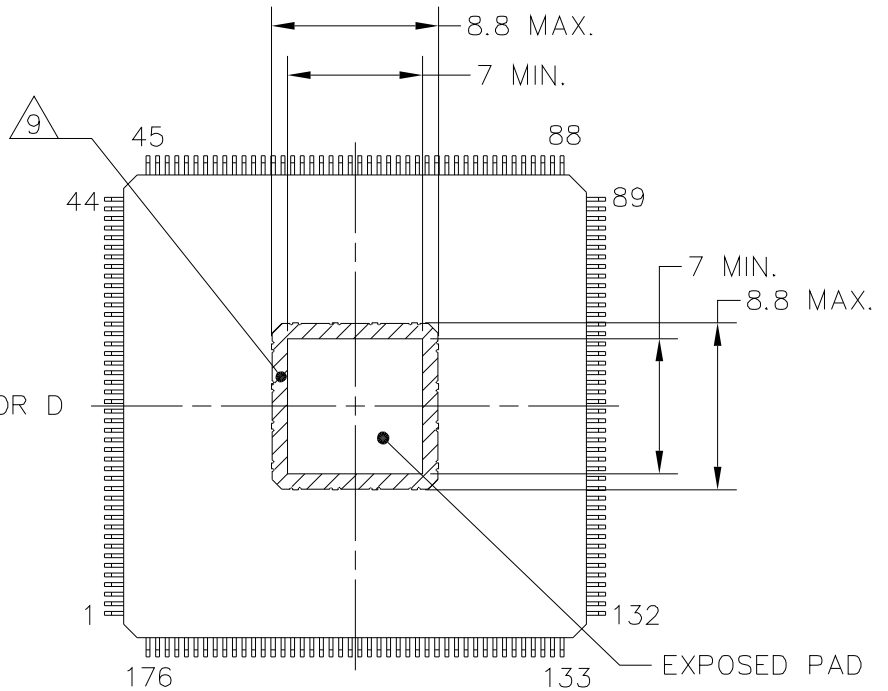


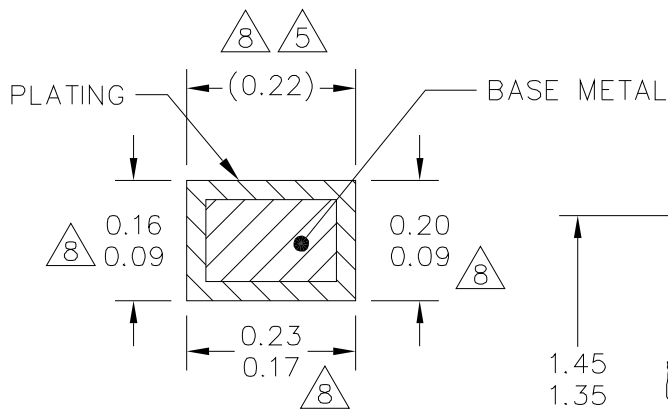
|   |                           |                            |
|---|---------------------------|----------------------------|
| © FREESCALE SEMICONDUCTOR, INC.<br>ALL RIGHTS RESERVED.                       | <b>MECHANICAL OUTLINE</b> | PRINT VERSION NOT TO SCALE |
| TITLE: LQFP, 24 X 24 X 1.4 PKG,<br>0.5 PITCH, 176LD,<br>7.9 X 7.9 EXPOSED PAD | DOCUMENT NO: 98ASA00516D  | REV: A                     |
|   | STANDARD: NON-JEDEC       |                            |
|   | 09 DEC 2013               |                            |



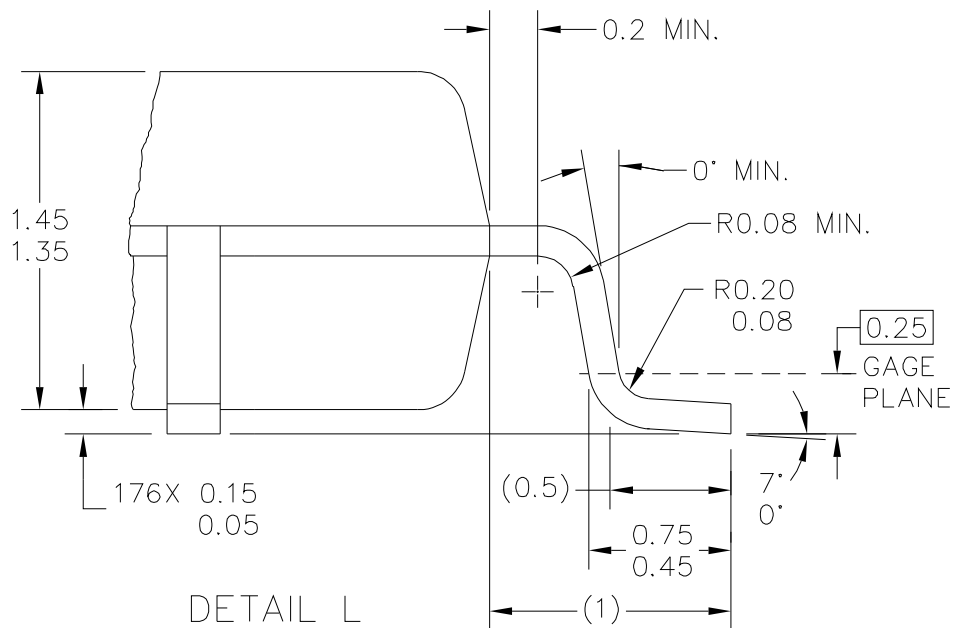
DETAIL K



VIEW J-J



SECTION A-A  
176 PLACES  
ROTATED 90°CLOCKWISE



DETAIL L

|   |                           |                            |
|---|---------------------------|----------------------------|
| © FREESCALE SEMICONDUCTOR, INC.<br>ALL RIGHTS RESERVED.                       | <b>MECHANICAL OUTLINE</b> | PRINT VERSION NOT TO SCALE |
| TITLE: LQFP, 24 X 24 X 1.4 PKG,<br>0.5 PITCH, 176LD,<br>7.9 X 7.9 EXPOSED PAD | DOCUMENT NO: 98ASA00516D  | REV: A                     |
|   | STANDARD: NON-JEDEC       |                            |
|   | 09 DEC 2013               |                            |

NOTES:

1. DIMENSIONS ARE IN MILLIMETERS.

2. INTERPRET DIMENSIONS AND TOLERANCES PER ASME Y14.5M-1994.

3. DATUMS A, B AND D TO BE DETERMINED AT DATUM PLANE H.

4. DIMENSIONS TO BE DETERMINED AT SEATING PLANE C.

5. DIMENSION DOES NOT INCLUDE DAMBAR PROTRUSION. ALLOWABLE DAMBAR PROTRUSION SHALL NOT CAUSE THE LEAD WIDTH TO EXCEED THE MAXIMUM DIMENSION BY MORE THAN 0.08 MM. DAMBAR CANNOT BE LOCATED ON THE LOWER RADIUS OR THE FOOT. MINIMUM SPACE BETWEEN PROTRUSION AND ADJACENT LEAD OR PROTRUSION 0.07 MM.

6. DIMENSIONS DO NOT INCLUDE MOLD PROTRUSION. ALLOWABLE PROTRUSION IS 0.25 MM PER SIDE. DIMENSIONS ARE MAXIMUM PLASTIC BODY SIZE DIMENSIONS INCLUDING MOLD MISMATCH.

7. EXACT SHAPE OF EACH CORNER IS OPTIONAL.

8. THESE DIMENSIONS APPLY TO THE FLAT SECTION OF THE LEAD BETWEEN 0.10 MM AND 0.25 MM FROM THE LEAD TIP.

9. HATCHED AREA TO BE KEEP OUT ZONE FOR PCB ROUTING.

|   |                           |                            |        |
|---|---------------------------|----------------------------|--------|
| © FREESCALE SEMICONDUCTOR, INC.<br>ALL RIGHTS RESERVED.                       | <b>MECHANICAL OUTLINE</b> | PRINT VERSION NOT TO SCALE |        |
| TITLE: LQFP, 24 X 24 X 1.4 PKG,<br>0.5 PITCH, 176LD,<br>7.9 X 7.9 EXPOSED PAD |                           | DOCUMENT NO: 98ASA00516D   | REV: A |
|   |                           | STANDARD: NON-JEDEC        |        |
|   |                           | 09 DEC 2013                |        |