



TDA19977A; TDA19977B

Triple input HDMI 1.3a compliant receiver interface with equalizer (up to 1080p for HDTV, and UXGA for PC formats)

Rev. 02 — 11 May 2010

Product data sheet

HDMI

1. General description

The TDA19977A; TDA19977B is a three input HDMI 1.3a compliant receiver with embedded EDID memory. The built-in auto-adaptive equalizer, improves signal quality and allows the use of cable lengths of up to 25 m which are laboratory tested with a 0.5 mm (24 AWG) cable at 2.05 gigasamples per second. The HDCP (TDA19977A only) key set is stored in non-volatile OTP (One Time Programmable) memory for maximum security. In addition, the TDA19977A; TDA19977B is delivered with software drivers to ease configuration and use.

The TDA19977A; TDA19977B supports:

- TV resolutions:
 - 480i (1440 × 480i at 60 Hz), 576i (1440 × 576i at 50 Hz) to HDTV (up to 1920 × 1080p at 50/60 Hz)
 - WUXGA (1920 × 1200p at 60 Hz) reduced blanking format
- PC resolutions:
 - VGA (640 × 480p at 60 Hz) to UXGA (1600 × 1200p at 60 Hz)
- Deep Color mode in 10-bit and 12-bit (up to 205 MHz TMDS clock)
- Gamut boundary description
- IEC 60958/IEC 61937, OBA (One Bit Audio), DST (Direct Stream Transfer) and HBR (High Bit Rate) stream

The TDA19977A; TDA19977B includes:

- An enhanced PC and TV format recognition system
- Generation of a $128/256/512 \times f_s$ system clock allowing the use of simple audio DACs without an integrated PLL (such as the UDA1334BTS)
- An embedded oscillator (an external crystal can also be used)
- Improved audio clock generation using an external reference clock
- OBA (as used in SACD), DST and HBR stream support

The TDA19977A; TDA19977B converts HDMI streams with or without HDCP (TDA19977A only) into RGB or YCbCr digital signals. The YCbCr digital output signal can be 4:4:4 or 4:2:2 semi-planar format based on the ITU-R BT.601 standard or 4:2:2 based on the ITU-R BT.656 format. The device can adjust the output timing of the video port by altering the values of $t_{su(Q)}$ and $t_{h(Q)}$. In addition, all settings are controllable using the I²C-bus.



2. Features and benefits

- Complies with the HDMI 1.3a, DVI 1.0, CEA-861-D and HDCP (TDA19977A only) 1.2 standards
- Three independent HDMI inputs, up to the HDMI frequency of 205 MHz
- Embedded auto-adaptive equalizer on all HDMI links
- EDID memory: 253 shared bytes and three bytes dedicated to each HDMI input
- Supports color depth processing (8-bit, 10-bit or 12-bit per color)
- Color gamut metadata packet with interrupt on each update, readable via the I²C-bus
- Up to four S/PDIF or I²S-bus outputs (eight channels) at a sampling rate up to 192 kHz with IEC 60958/IEC 61937 stream
- HBR audio stream up to 768 kHz with four demultiplexed S/PDIF or I²S-bus outputs
- HBR streams (e.g. DTS-HD master audio and Dolby TrueHD up to eight channels due to HBR packet for stream with a frame rate up to 768 kHz) support
- DSD and DST audio stream up to six DSD channels output for SACD with DST audio packet support
- Channel status decoder supports multi-channel reception
- Improved audio clock generation using an external reference clock
- System/master clock output ($128/256/512 \times f_s$) enables the use of the UDA1334BTS
- The HDMI interface supports:
 - ◆ All HDTV formats up to $1920 \times 1080p$ at 50/60 Hz and WUXGA ($1920 \times 1200p$ at 60 Hz) with support for reduced blanking
 - ◆ PC formats up to UXGA ($1600 \times 1200p$ at 60 Hz)
- Embedded oscillator (an external crystal can be used)
- Frame and field detection for interlaced video signal
- Sync timing measurements for format recognition
- Improved system for measurements of blanking and video active area allowing an accurate recognition of PC and TV formats
- HDCP (TDA19977A only) with repeater capability
- Embedded non-volatile memory storage of HDCP (TDA19977A only) keys
- Programmable color space input signal conversion from RGB-to-YCbCr or YCbCr-to-RGB
- Output formats: RGB 4:4:4, YCbCr 4:4:4, YCbCr 4:2:2 semi-planar based on the ITU-R BT.601 standard and YCbCr 4:2:2 ITU-R BT.656
- 8-bit, 10-bit or 12-bit output formats selectable using the I²C-bus (8-bit and 10-bit only in 4:4:4 format)
- I²C-bus adjustable timing of video port ($t_{su(Q)}$ and $t_{h(Q)}$)
- Downsampling-by-two with selectable filters on Cb and Cr channels in 4:2:2 mode
- Internal video and audio pattern generator
- Controllable using the I²C-bus; 5 V tolerant and bit rate up to 400 kbit/s
- DDC-bus inputs 5 V tolerant and bit rate up to 400 kbit/s
- LV-TTL outputs
- Power-down mode
- CMOS process
- 1.8 V and 3.3 V power supplies
- Lead-free (Pb) HLQFP144 package

3. Applications

- HDTV
- YCbCr or RGB high-speed video digitizer
- Projector, plasma and LCD TV
- Rear projection TV
- High-end TV
- Home theater amplifier
- DVD recorder
- AVR and HDMI splitter

4. Quick reference data

Table 1. Quick reference data

Symbol	Parameter	Conditions	Min	Typ	Max	Unit
Digital inputs: pins RXxC+, RXxC- [1]						
f _{clk(max)}	maximum clock frequency		205	-	-	MHz
Clock timing output: pins VCLK, ACLK and SYSCLK						
f _{clk(max)}	maximum clock frequency	pin VCLK	165	-	-	MHz
		pin ACLK	25	-	-	MHz
		pin SYSCLK	50	-	-	MHz
Supplies						
V _{DDH(3V3)}	HDMI supply voltage (3.3 V)		3.135	3.3	3.465	V
V _{DDH(1V8)}	HDMI supply voltage (1.8 V)		1.71	1.8	1.89	V
V _{DDI(3V3)}	input supply voltage (3.3 V)		3.135	3.3	3.465	V
V _{DDC(1V8)}	core supply voltage (1.8 V)		1.71	1.8	1.89	V
V _{DDO(3V3)}	output supply voltage (3.3 V)		3.135	3.3	3.465	V
P	power dissipation	Active mode [2]				
		720p at 60 Hz	-	0.75	-	W
		1080p at 60 Hz	-	1.13	-	W
		1080p at 60 Hz; Deep Color mode	-	1.63	-	W
P _{cons}	power consumption	Power-down mode				
		pin PD = HIGH	-	1	-	mW
		I ² C-bus; EDID and HDCP [3] memory power-up	-	4	-	mW
		I ² C-bus; EDID; activity detection and HDCP [3] memory power-up	-	150	-	mW

[1] x = A, B or C.

[2] At 30 % activity on video port output.

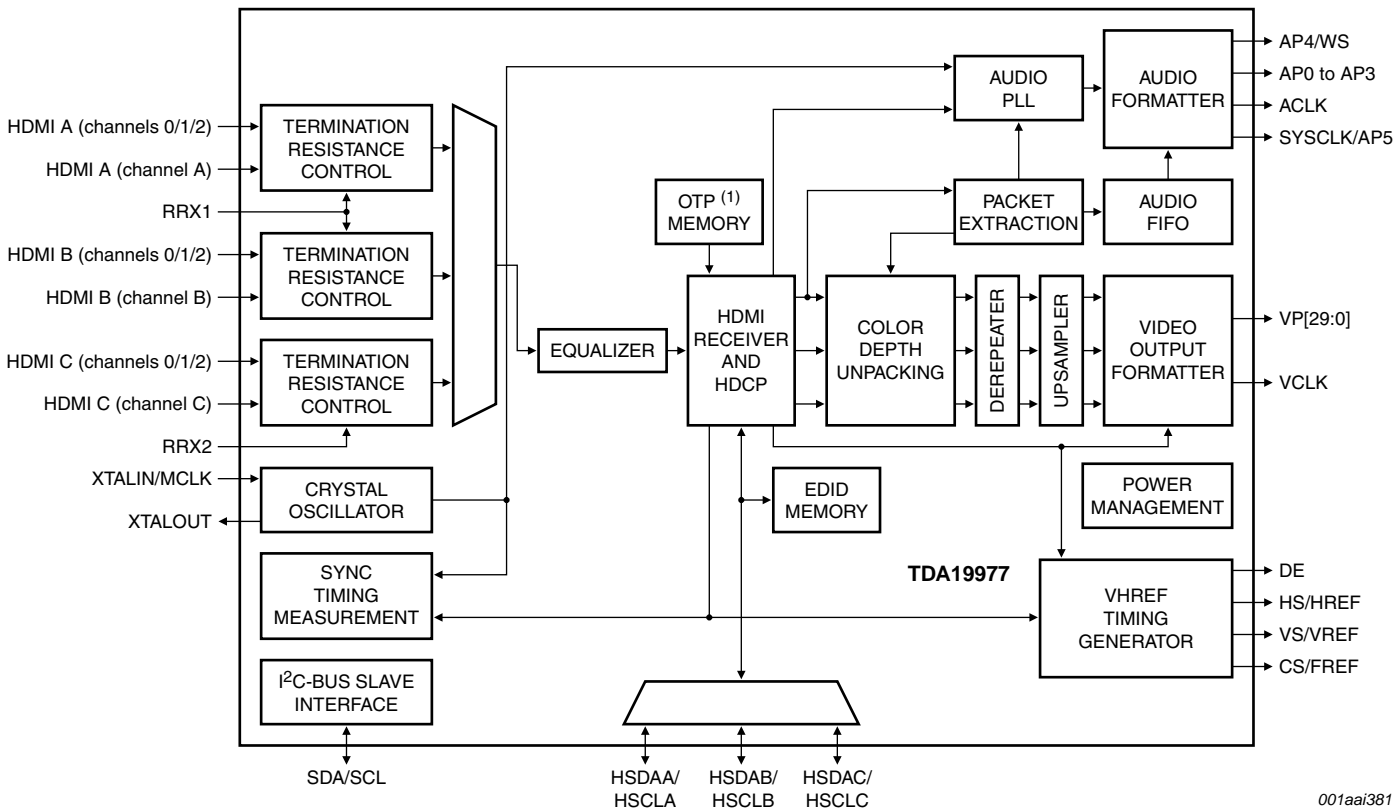
[3] HDCP decoding is only supported by the TDA19977A.

5. Ordering information

Table 2. Ordering information

Type number	Package		
	Name	Description	Version
TDA19977AHV	HLQFP144	plastic thermal enhanced low profile quad flat package; 144 leads; body 20 × 20 × 1.4 mm; exposed die pad	SOT612-3
TDA19977BHV	HLQFP144		

6. Block diagram

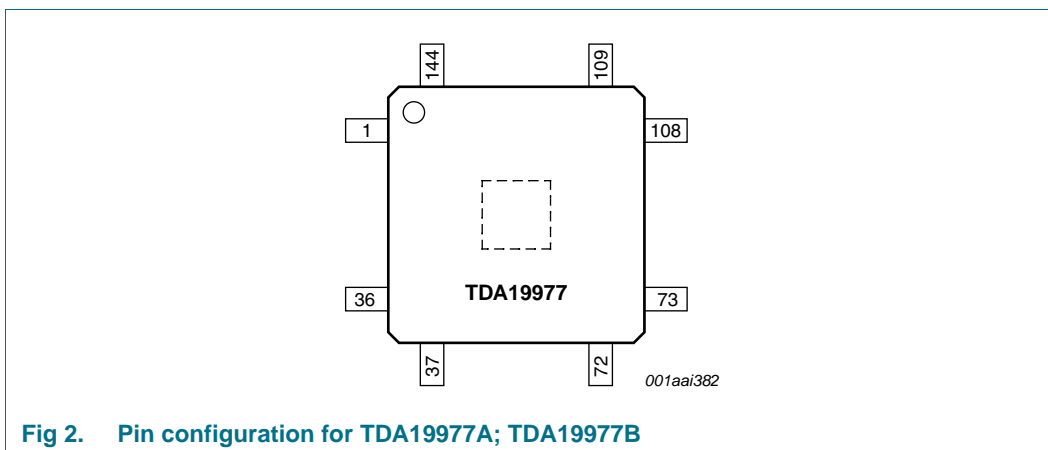


(1) only used by TDA19977A.

Fig 1. Block diagram of TDA19977A; TDA19977B

7. Pinning information

7.1 Pinning



7.2 Pin description

Table 3. Pin description

Symbol	Pin	Type ^[1]	Description
V _{SSC}	1	G	ground for the digital core
PD	2	I	power-down control input (active HIGH)
V _{DDH(3V3)}	3	P	HDMI receiver supply voltage; 3.3 V
n.c.	4	I	not connected
n.c.	5	I	not connected
V _{SSH}	6	G	HDMI receiver ground
RXCC-	7	I	HDMI input C negative clock channel
RXCC+	8	I	HDMI input C positive clock channel
V _{DDH(3V3)}	9	P	HDMI receiver supply voltage; 3.3 V
n.c.	10	I	not connected
n.c.	11	I	not connected
V _{SSH}	12	G	HDMI receiver ground
RXC0-	13	I	HDMI input C negative data channel 0
RXC0+	14	I	HDMI input C positive data channel 0
V _{DDH(1V8)}	15	P	HDMI receiver supply voltage; 1.8 V
n.c.	16	I	not connected
n.c.	17	I	not connected
V _{SSH}	18	G	HDMI receiver ground
RXC1-	19	I	HDMI input C negative data channel 1
RXC1+	20	I	HDMI input C positive data channel 1
V _{DDH(3V3)}	21	P	HDMI receiver supply voltage; 3.3 V
n.c.	22	I	not connected
n.c.	23	I	not connected

Table 3. Pin description ...continued

Symbol	Pin	Type ^[1]	Description
V _{SSH}	24	G	HDMI receiver ground
RXC2-	25	I	HDMI input C negative data channel 2
RXC2+	26	I	HDMI input C positive data channel 2
V _{PP}	27	P	OTP memory programming voltage ^[2]
V _{DDC(1V8)}	28	P	digital core supply voltage; 1.8 V
V _{DDO(3V3)}	29	P	video port output supply voltage; 3.3 V
VCLK	30	O	video clock output
V _{SSO}	31	G	video port output ground
CS/FREF	32	O	composite synchronization output composite field output signal
VS/VREF	33	O	vertical synchronization output vertical reference output
HS/HREF	34	O	horizontal synchronization output reference output
DE	35	O	data enable output
VP[0]	36	O	video port output bit 0
V _{SSC}	37	G	digital core ground
VP[1]	38	O	video port output bit 1
VP[2]	39	O	video port output bit 2
VP[3]	40	O	video port output bit 3
V _{DDO(3V3)}	41	P	video port output supply voltage; 3.3 V
V _{DDC(1V8)}	42	P	digital core supply voltage; 1.8 V
V _{SSO}	43	G	video port output ground
VP[4]	44	O	video port output bit 4
VP[5]	45	O	video port output bit 5
VP[6]	46	O	video port output bit 6
VP[7]	47	O	video port output bit 7
VP[8]	48	O	video port output bit 8
VP[9]	49	O	video port output bit 9
VP[10]	50	O	video port output bit 10
VP[11]	51	O	video port output bit 11
V _{DDO(3V3)}	52	P	video port output supply voltage; 3.3 V
VP[12]	53	O	video port output bit 12
V _{SSO}	54	G	video port output ground
VP[13]	55	O	video port output bit 13
VP[14]	56	O	video port output bit 14
VP[15]	57	O	video port output bit 15
VP[16]	58	O	video port output bit 16
VP[17]	59	O	video port output bit 17
VP[18]	60	O	video port output bit 18
VP[19]	61	O	video port output bit 19

Table 3. Pin description ...continued

Symbol	Pin	Type ^[1]	Description
VP[20]	62	O	video port output bit 20
V _{DDO(3V3)}	63	P	video port output supply voltage; 3.3 V
V _{DDC(1V8)}	64	P	digital core supply voltage; 1.8 V
V _{SSO}	65	G	video port output ground
VP[21]	66	O	video port output bit 21
VP[22]	67	O	video port output bit 22
VP[23]	68	O	video port output bit 23
VP[24]	69	O	video port output bit 24
VP[25]	70	O	video port output bit 25
VP[26]	71	O	video port output bit 26
VP[27]	72	O	video port output bit 27
V _{SSC}	73	G	digital core ground
V _{DDO(3V3)}	74	P	video port output supply voltage; 3.3 V
VP[28]	75	O	video port output bit 28
VP[29]	76	O	video port output bit 29
V _{SSO}	77	G	video port output ground
ACLK	78	O	audio clock output
AP0	79	O	audio port 0 output
AP1	80	O	audio port 1 output
AP2	81	O	audio port 2 output
AP3	82	O	audio port 3 output
AP4/WS	83	O	audio port 4 output word select output
V _{DDO(3V3)}	84	P	video port output supply voltage; 3.3 V
AP5/SYSCLK	85	O	audio port 5 output system clock audio output
V _{SSO}	86	G	video port output ground
V _{DDH(3V3)}	87	P	HDMI audio PLL supply voltage; 3.3 V
V _{DDH(3V3)}	88	P	HDMI audio PLL supply voltage; 3.3 V
V _{SSH}	89	G	HDMI audio PLL ground
V _{DDH(1V8)}	90	P	HDMI audio PLL supply voltage; 1.8 V
V _{SSH}	91	G	HDMI audio PLL ground
V _{DDC(1V8)}	92	P	digital core supply voltage; 1.8 V
XTALOUT	93	O	crystal oscillator output
XTALIN/MCLK	94	I	crystal oscillator input test pattern clock input
V _{DDI(3V3)}	95	P	digital inputs supply voltage; 3.3 V
V _{AI}	96	O	video activity indication output (open-drain); warns the external microprocessor that a special event has occurred; must be connected to a pull-up resistor; 5 V tolerant (active LOW)
SDA	97	I/O	I ² C-bus serial data input/output

Table 3. Pin description ...continued

Symbol	Pin	Type ^[1]	Description
SCL	98	I	I ² C-bus serial clock input
HSDAA	99	I/O	HDMI input/output A (HDCP ^[3]) DDC-bus serial data
HSCLA	100	I	HDMI input A (HDCP ^[3]) DDC-bus serial clock
HSDAB	101	I/O	HDMI input/output B (HDCP ^[3]) DDC-bus serial data
HSCLB	102	I	HDMI input B (HDCP ^[3]) DDC-bus serial clock
TEST0	103	I	reserved for test; connect to digital inputs ground (V_{SSC})
$V_{DDH(3V3)}$	104	P	HDMI deep PLL supply voltage; 3.3 V
V_{SSH}	105	G	HDMI deep PLL ground
RRX1	106	I	HDMI inputs A and B termination resistance control
$V_{DDC(1V8)}$	107	P	digital core supply voltage; 1.8 V
$V_{DDH(1V8)}$	108	P	HDMI receiver supply voltage; 1.8 V
V_{SSC}	109	G	digital core ground
A0	110	I	I ² C-bus address control input
$V_{DDH(3V3)}$	111	P	HDMI receiver supply voltage; 3.3 V
RXBC+	112	I	HDMI input B positive clock channel
RXBC-	113	I	HDMI input B negative clock channel
V_{SSH}	114	G	HDMI receiver ground
RXAC-	115	I	HDMI input A negative clock channel
RXAC+	116	I	HDMI input A positive clock channel
$V_{DDH(3V3)}$	117	P	HDMI receiver supply voltage; 3.3 V
RXB0+	118	I	HDMI input B positive data channel 0
RXB0-	119	I	HDMI input B negative data channel 0
V_{SSH}	120	G	HDMI receiver ground
RXA0-	121	I	HDMI input A negative data channel 0
RXA0+	122	I	HDMI input A positive data channel 0
$V_{DDH(1V8)}$	123	P	HDMI receiver supply voltage; 1.8 V
RXB1+	124	I	HDMI input B positive data channel 1
RXB1-	125	I	HDMI input B negative data channel 1
V_{SSH}	126	G	HDMI receiver ground
RXA1-	127	I	HDMI input A negative data channel 1
RXA1+	128	I	HDMI input A positive data channel 1
$V_{DDH(3V3)}$	129	P	HDMI receiver supply voltage; 3.3 V
RXB2+	130	I	HDMI input B positive data channel 2
RXB2-	131	I	HDMI input B negative data channel 2
V_{SSH}	132	G	HDMI receiver ground
RXA2-	133	I	HDMI input A negative data channel 2
RXA2+	134	I	HDMI input A positive data channel 2
V_{SSH}	135	G	HDMI receiver ground
$V_{DDC(1V8)}$	136	P	digital core supply voltage; 1.8 V
$V_{DDC(1V8)}$	137	P	digital core supply voltage; 1.8 V
HSDAC	138	I/O	HDMI input/output C (HDCP ^[3]) DDC-bus serial data

Table 3. Pin description ...continued

Symbol	Pin	Type ^[1]	Description
HSCLC	139	I	HDMI input C (HDCP ^[3]) DDC-bus serial clock
n.c.	140	I/O	not connected
n.c.	141	I	not connected
V _{DDI(3V3)}	142	P	digital inputs supply voltage; 3.3 V
RRX2	143	I	HDMI inputs C and D termination resistance control
V _{DDH(1V8)}	144	P	HDMI receiver supply voltage; 1.8 V
Exposed die pad	-	G	exposed die pad; connect to digital core ground (V _{SSC})

[1] P = power supply; G = ground; I = input; O = output and I/O = input/output.

[2] Connected to the ground of the HDMI receiver (V_{SSH}) in normal operation.

[3] HDCP decoding is only supported by TDA19977A.

8. Functional description

The TDA19977A; TDA19977B converts digital data streams input by the HDMI sources into parallel digital data for use by media and video signal processing integrated circuits in devices for HDTV. Data streams can be decoded with or without HDCP protection.

Outputs from the TDA19977A; TDA19977B can be RGB 4:4:4, YCbCr 4:4:4, YCbCr 4:2:2 semi-planar format based on the ITU-R BT.601 standard or YCbCr 4:2:2 based on the ITU-R BT.656 format. Inputs can be both progressive and interlaced formats. The TDA19977A; TDA19977B comprises a color space conversion block, downsampling filters and an embedded timing code function. In addition, the HDCP (TDA19977A only) repeater function enables other HDMI devices to be connected to form an extended “total application”.

8.1 Software drivers

Software drivers are provided for easy configuration and use of the TDA19977A; TDA19977B. These drivers can be integrated with a large range of processors, with or without an operating system. They control activity detection, input selection, video mode identification, color conversion, Power-down modes, HDCP (TDA19977A only) and InfoFrame notification.

8.2 HDMI inputs

Control of the three HDMI inputs can be automatic using activity detection or using the I²C-bus. The HDMI receiver inputs are defined by pins RXx0+, RXx0-, RXx1+, RXx1-, RXx2+, RXx2-, RXxC+, RXxC-, RRXx, HSCLx and HSDAx. In the pin names, x equals A, B or C (as applicable).

8.3 Termination resistance control

The HDMI receiver input contains a termination resistance control set by an external resistor connected between pins RRXx and V_{DDH(3V3)}. In RRXx, x equals 1 for inputs A and B or 2 for inputs C and D. Typically, the characteristic impedance is 50 Ω and the default value of the external terminal control resistor is 12 kΩ ± 1 %.

8.4 Equalizer

The auto-adaptive equalizer automatically measures and selects the settings which provide the best signal quality for each cable. This improves signal quality and enables the use of cable lengths up to 25 m (laboratory tested, contact NXP for detailed information). The equalizer is fully automatic and consequently does not need any external control.

8.5 Activity detection

The TDA19977A; TDA19977B uses activity detection to automatically select the active HDMI input. An internal, fully programmable, frequency filter controls activity detection. It sees only the activity on the HDMI inputs with a frequency range between f_{\min} (22.5 MHz) and f_{\max} (205 MHz).

This activity detection can generate an interrupt enabling users to manage each HDMI input.

8.6 High-bandwidth digital content protection (TDA19977A only)

The HDMI receiver also contains the HDCP decryption function. The keys provided by the OTP non-volatile memory in encrypted format are decrypted and then stored in the HDCP module. This is particularly suitable for repeater applications. The TDA19977A manages all HDCP repeater functions based on the HDCP 1.2 specification.

Three DDC-buses HSCLA/HSDAA; HSCLB/HSDAB and HSCLC/HSDAC are integrated into the HDCP function, one bus for each HDMI input. The DDC-bus connected to the HDCP block is automatically selected based on the active HDMI input. The unused inputs are disconnected from the DDC-bus (no acknowledge). No additional CPU processing is required because the authentication phase and the re-key calculation are fully managed by the TDA19977A.

8.7 Color depth unpacking

In Deep Color mode, the TDA19977A; TDA19977B receives several fragments of a pixel group at the HDMI link frequency. This block translates the received pixel group into pixels at the pixel frequency. This operation is fully automatic and does not need any external control.

8.8 Derepeater

The HDMI source uses pixel repetition to increase the transmitted pixel clock for transmitting video formats at native pixel rates below 25 Mpixel/s or to increase the number of audio sample packets in each line. The derepeater function discards repeated pixels and divides the clock to reproduce the native video format.

8.9 Upsample

The HDMI source can use YCbCr 4:2:2 pixel encoding which enables the number of bits allocated per component to be increased up to 12. The upsample function transforms this 12-bit YCbCr 4:2:2 data stream into a 12-bit YCbCr 4:4:4 data stream by repeating or linearly interpolating the chrominance pixels Cb and Cr.

Upsampling mode is selected using the I²C-bus.

8.10 Packet extraction

Information sent during the Data Island periods are extracted from the HDMI data stream. Audio clock regeneration, general control and InfoFrames can be read using the I²C-bus while audio samples are sent to the audio FIFO.

The TDA19977A; TDA19977B can receive the new HDMI 1.3a packets, general control and color gamut metadata information packets.

In audio applications, the TDA19977A; TDA19977B manages HBR packets for high bit rate compressed audio streams (IEC 61937), OBA samples and DST packets for OBA and SACD with DSD and DST audio streams.

The TDA19977A; TDA19977B includes a two channel status decoder supporting multi-channel reception for audio sample packets. This enables the user to obtain channel status information from the IEC 60958/IEC 61937 stream such as:

- The audio stream type (non-linear as IEC 61937 or L-PCM as IEC 60958)
- Copyright protection
- Sampling frequency

Refer to *IEC 60958/IEC 61937 specifications* for more details.

An update of each InfoFrame or the channel status content is indicated by a register bit and the HIGH-to-LOW transition on output pin $\overline{\text{VAL}}$. This makes CPU polling unnecessary.

8.11 Audio PLL

The TDA19977A; TDA19977B generates a $128/256/512 \times f_s$ system clock enabling the use of simple audio DACs without an integrated PLL, such as the UDA1334BTS. The programming of the audio PLL can be either automatic, using the audio clock regeneration parameters found in the Data Islands or set manually using the I²C-bus.

All standard audio sampling frequencies 32 kHz, 44.1 kHz, 88.2 kHz, 176.4 kHz, 48 kHz, 96 kHz and 192 kHz are accepted by the device.

8.12 Audio formatter

Audio samples can be output in either S/PDIF, I²S-bus formats or DSD (SACD). In I²S-bus or S/PDIF modes, up to eight audio channels can be controlled using the audio port pins (AP0 to AP5). In DSD mode (SACD), up to six audio channels can be controlled using these pins. The audio port mapping depends on the channel allocation (see [Table 4](#), [Table 5](#) and [Table 6](#) for detailed information).

Table 4. Audio port configuration (Layout 0)

All audio ports are LV-TTL compatible.

Audio port	Pin	Layout 0		
		I ² S-bus	S/PDIF	OBA
AP5	85	SYSClk ^[1]	SYSClk ^[1]	
AP4	83	WS (word select)	WS ^[1]	
AP3	82			
AP2	81			
AP1	80			DSD channel 1
AP0	79	SD	S/PDIF	DSD channel 0
ACLK	78	SCK (I ² S-bus clock)	master clock for S/PDIF ^[1]	DSD clock
		64 × f _s	64 × f _s	64 × f _s
		32 × f _s		

[1] Can be activated with the I²C-bus (optional).

Table 5. Audio port configuration (Layout 1)

All audio ports are LV-TTL compatible.

Audio port	Pin	Layout 0		
		I ² S-bus	S/PDIF	OBA
AP5	85	SYSClk ^[1]	SYSClk ^[1]	DSD channel 5
AP4	83	WS (word select)	WS ^[1]	DSD channel 4
AP3	82	SD3	S/PDIF3	DSD channel 3
AP2	81	SD2	S/PDIF2	DSD channel 2
AP1	80	SD1	S/PDIF1	DSD channel 1
AP0	79	SD0	S/PDIF0	DSD channel 0
ACLK	78	SCK (I ² S-bus clock)	master clock for S/PDIF ^[1]	DSD clock
		64 × f _s	64 × f _s	64 × f _s
		32 × f _s		

[1] Can be activated with the I²C-bus (optional).

Table 6. Audio port configuration for HBR and DST packets

All audio ports are LV-TTL compatible.

Audio port	Pin	HBR demultiplexed		DST
		I ² S-bus	S/PDIF	
AP5	85	SYSClk ^[1]	SYSClk ^[1]	
AP4	83	WS (word select)	WS ^[1]	frame_start
AP3	82	SDx + 3	S/PDIFx + 3	
AP2	81	SDx + 2	S/PDIFx + 2	
AP1	80	SDx + 1	S/PDIFx + 1	
AP0	79	SDx	S/PDIFx	DSD channel 0
ACLK	78	SCK (I ² S-bus clock)	master clock for S/PDIF ^[1]	DSD clock
		64 × f _s (ACR)	64 × f _s	64 × f _s
		32 × f _s (ACR)		128 × f _s

[1] Can be activated with the I²C-bus (optional).

8.13 Sync timing measurement

To assist input format recognition, the vertical/horizontal periods and the horizontal pulse width are measured based on the externally generated MCLK frequency (27 MHz crystal). This function has an accuracy of 1 LSB = 1 × MCLK period.

8.14 Format measurement timing

The TDA19977A; TDA19977B includes an improved system for accurate recognition of PC and TV formats. This system measures the parameters of blanking and video active area.

This function can be useful for example when the TDA19977A; TDA19977B receives PC format data in HDMI or DVI modes.

8.15 Color space conversion

The color space conversion enables an RGB signal from the HDMI input to be converted into a YCbCr signal or converting the YCbCr signal from the HDMI input into an RGB signal. The color space conversion formula is:

$$\begin{bmatrix} YG \\ VR \\ UB \end{bmatrix} = \begin{bmatrix} C_{11} & C_{12} & C_{13} \\ C_{21} & C_{22} & C_{23} \\ C_{31} & C_{32} & C_{33} \end{bmatrix} \times \left(\begin{bmatrix} CY \\ RV \\ BU \end{bmatrix} + \begin{bmatrix} O11 \\ O12 \\ O13 \end{bmatrix} \right) + \begin{bmatrix} O01 \\ O02 \\ O03 \end{bmatrix} \tag{1}$$

Activation of the color space conversion function, programming of all coefficients and offsets is done using the I²C-bus.

8.16 4:2:2 downsampling filters

These filters downsample the Cb and Cr signals by a factor of 2. A delay has been added to the G/Y channel corresponding to the downsample filters pipeline delay to make sure the Y channel is in phase with the Cb and Cr channels.

Four different filters, from simple cut to ITU-R BT.601 compliant digital, can be selected using the I²C-bus.

8.17 Range control

The range control function truncates the range of data to remove super-white and super-black pixels at specified ceiling and floor values.

8.18 Dithering function

The error dispersal rounding (dithering) function can convert the color depth from 30-bit or 36-bit to reduced 30-bit or 24-bit color depth. When dithering is triggered, the TDA19977A; TDA19977B applies round, truncate or noise-shaping algorithms.

When the error dispersal rounding function is not used, the data coming from the filter is directly sent to the 4:2:2 formatter. The error dispersal rounding function works only with the active video signal.

8.19 4:2:2 formatter

The 4:2:2 formatter contains the YCbCr 4:2:2 semi-planar and the YCbCr 4:2:2 ITU-R BT.656 formatting functions. The selection of these functions is made using the I²C-bus.

- In YCbCr 4:2:2 mode: the data frequency for the Y signal is equal to the pixel clock frequency. While the data frequency for the Cb and Cr signals is equal to half the pixel clock frequency
- In semi-planar mode: the output clock should be the same as the pixel clock
- In ITU-R BT.656 mode: the data frequency should be the same as the formatter clock frequency (e.g. pixel clock × 2)

The Start Active Video (SAV) and End Active Video (EAV) timing reference codes can be included in the data stream based on the HREF, VREF and FREF positions from the VHREF timing generator.

Specific codes programmed using the I²C-bus can replace the data stream during the blanking period to mask gain and clamp calibration.

8.20 Video port selection

Each channel can be allocated to a specified video port using the I²C-bus (see [Section 13 “Output video port formats” on page 21](#)) to optimize board layout at the interface with video processing ICs. For example:

- R, G or B in RGB 4:4:4 mode on VP[29:20]
- Y, Cb or Cr in YUV 4:4:4 mode on VP[19:10]
- Y or Cb-Cr in 4:2:2 semi-planar mode on VP[9:0]
- Cb-Y-Cr-Y in 4:2:2 ITU-R BT.656 mode on VP[9:0]

Each video port can be set to high-impedance using the I²C-bus.

8.21 Output buffers

The levels of the output buffers are LV-TTL compatible. Switching the outputs between active and high-impedance is set using the I²C-bus.

The outputs HREF, VREF and FREF can be set to high-impedance (Z) or forced LOW (L), independently of the timing reference codes.

8.22 VHREF timing generator

The VHREF timing generator outputs all of the timing signals used by the device:

- VREF, HREF and FREF signals for SAV, EAV and active video area definition
- VS and HS to change width and position compared with the HDMI inputs

8.23 I²C-bus serial interface

The I²C-bus serial interface enables the internal registers of the device to be programmed. The slave address of the device is selected by pin A0.

8.24 Power management

The TDA19977A; TDA19977B can use one of three Power-down modes:

- level 0: full Power-down mode
- level 1: internal EDID memory with I²C-bus serial interface active
- level 2: internal EDID memory with I²C-bus serial interface and activity detection enabled

The user can activate these different modes with pin PD or using I²C-bus registers:

- level 0: PD pin is HIGH
- level 1: settings defined in the I²C-bus registers
- level 2: with settings defined in the I²C-bus registers

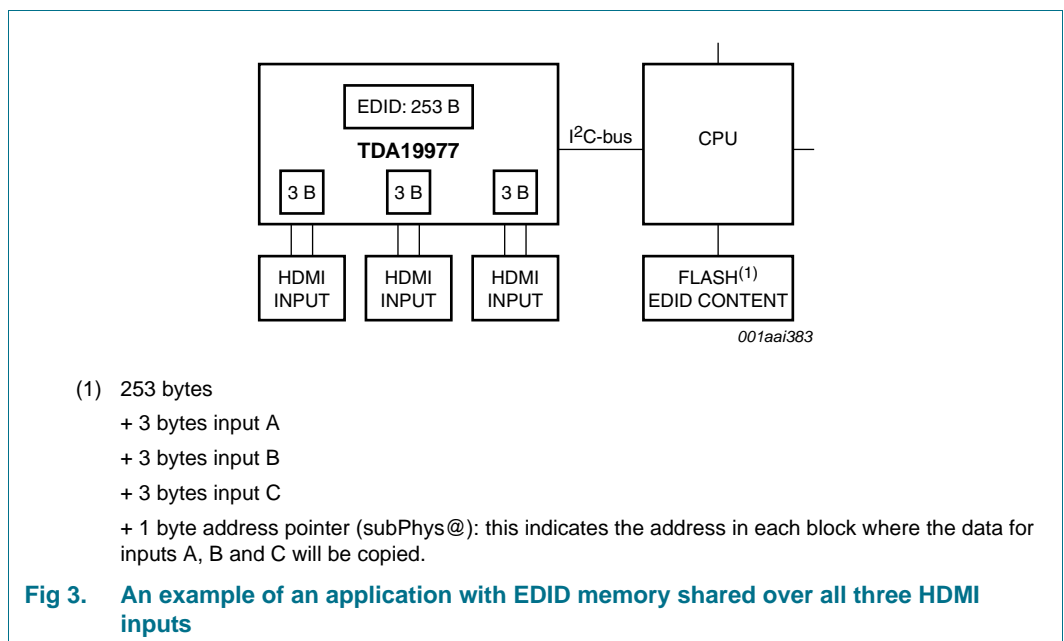
8.25 EDID memory management

The TDA19977A; TDA19977B embedded EDID memory can be shared with all HDMI inputs. The embedded EDID memory shares 253 bytes with the three HDMI inputs. In addition, three bytes are dedicated to the physical address and checksum for each HDMI input (see Figure 3). This memory is accessible in parallel by all HDMI inputs. You can share the EDID memory over zero, one, two or three HDMI input(s) as shown in Figure 4.

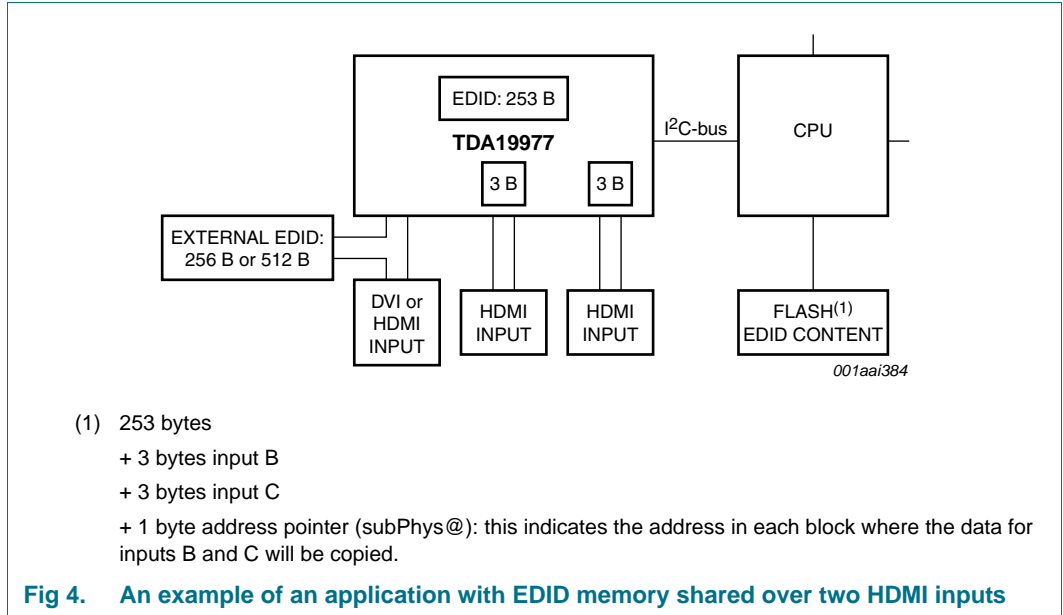
The content of embedded volatile EDID memory must be programmed using the I²C-bus for each power-on of TDA19977A; TDA19977B. The embedded EDID memory remains accessible on each HDMI input when the TDA19977A; TDA19977B uses a different low-power mode.

The “physical address” of each HDMI input can be easily changed with the TDA19977A; TDA19977B without corrupting the integrity of each DDC-bus.

8.25.1 EDID memory shared over all three HDMI inputs



8.25.2 EDID memory shared over two HDMI inputs



9. I²C-bus protocol

The TDA19977A; TDA19977B is a slave I²C-bus device and the SCL pin is only an input pin. The timing and protocol for I²C-bus are standard.

Bit A0 of the I²C-bus device address is externally selected by the A0 pin. The main device I²C-bus address is given in [Table 7](#).

Table 7. I²C-bus slave address

A6	A5	A4	A3	A2	A1	A0	R/W
1	0	0	1	1	0	A0	0/1

10. Limiting values

Table 8. Limiting values

In accordance with the Absolute Maximum Rating System (IEC 60134).

Symbol	Parameter	Conditions	Min	Max	Unit
V _{DDx(3V3)}	supply voltage on all 3.3 V pins		-0.5	+4.6	V
V _{DDx(1V8)}	supply voltage on all 1.8 V pins		-0.5	+2.5	V
ΔV _{DD}	supply voltage difference		-0.5	+0.5	V
I _O	output current		-	35	mA
T _{stg}	storage temperature		-55	+150	°C
T _{amb}	ambient temperature		0	70	°C
T _j	junction temperature		-	125	°C
V _{ESD}	electrostatic discharge voltage	HBM	-2000	+2000	V

11. Thermal characteristics

Table 9. Thermal characteristics

Symbol	Parameter	Conditions	Typ	Unit
$R_{th(j-a)}$	thermal resistance from junction to ambient	in free air	22.8	K/W
$R_{th(j-c)}$	thermal resistance from junction to case		11.1	K/W

12. Characteristics

Table 10. Characteristics

$T_{amb} = 0\text{ }^{\circ}\text{C}$ to $70\text{ }^{\circ}\text{C}$; typical values measured at $T_{amb} = 25\text{ }^{\circ}\text{C}$; unless otherwise specified.

Symbol	Parameter	Conditions	Min	Typ	Max	Unit	
Supplies							
$V_{DDH(3V3)}$	HDMI supply voltage (3.3 V)		3.135	3.3	3.465	V	
$V_{DDH(1V8)}$	HDMI supply voltage (1.8 V)		1.71	1.8	1.89	V	
$V_{DDI(3V3)}$	input supply voltage (3.3 V)		3.135	3.3	3.465	V	
$V_{DDC(1V8)}$	core supply voltage (1.8 V)		1.71	1.8	1.89	V	
$V_{DDO(3V3)}$	output supply voltage (3.3 V)		3.135	3.3	3.465	V	
$I_{DDH(3V3)}$	HDMI supply current (3.3 V)	720p at 60 Hz	[1]	-	103	-	mA
		1080p at 60 Hz	[1]	-	106	-	mA
		1080p at 60 Hz; Deep Color mode	[1]	-	110	-	mA
$I_{DDH(1V8)}$	HDMI supply current (1.8 V)	720p at 60 Hz	[1]	-	48	-	mA
		1080p at 60 Hz	[1]	-	68	-	mA
		1080p at 60 Hz; Deep Color mode	[1]	-	85	-	mA
$I_{DDI(3V3)}$	input supply current (3.3 V)	720p at 60 Hz	[1]	-	1	-	mA
		1080p at 60 Hz	[1]	-	1	-	mA
		1080p at 60 Hz; Deep Color mode	[1]	-	1	-	mA
$I_{DDO(3V3)}$	output supply current (3.3 V)	720p at 60 Hz	[1]	-	49	-	mA
		1080p at 60 Hz	[1]	-	78	-	mA
		1080p at 60 Hz; Deep Color mode	[1]	-	120	-	mA
$I_{DDC(1V8)}$	core supply current (1.8 V)	720p at 60 Hz	[1]	-	148	-	mA
		1080p at 60 Hz	[1]	-	283	-	mA
		1080p at 60 Hz; Deep Color mode	[1]	-	453	-	mA
$\Delta V_{DD(3V3-3V3)}$	supply voltage difference between two 3.3 V supplies	start-up and established conditions	-100	-	+100	mV	
$\Delta V_{DD(1V8-1V8)}$	supply voltage difference between two 1.8 V supplies	start-up and established conditions	-100	-	+100	mV	
P	power dissipation	active mode	[1]				
		720p at 60 Hz	-	0.75	-	W	
		1080p at 60 Hz	-	1.13	-	W	
		1080p at 60 Hz; Deep Color mode	-	1.63	-	W	

Table 10. Characteristics ...continued

$T_{amb} = 0\text{ }^{\circ}\text{C}$ to $70\text{ }^{\circ}\text{C}$; typical values measured at $T_{amb} = 25\text{ }^{\circ}\text{C}$; unless otherwise specified.

Symbol	Parameter	Conditions	Min	Typ	Max	Unit
P_{cons}	power consumption	Power-down mode				
		pin PD = HIGH	-	1	-	mW
		I ² C-bus; EDID and HDCP ^[2] memory power-up	-	4	-	mW
		I ² C-bus; EDID; activity detection and HDCP ^[2] memory power-up	-	150	-	mW

Clock timing output: pins VCLK, ACLK and SYSCLK

$f_{clk(max)}$	maximum clock frequency	pin VCLK	165	-	-	MHz
		pin ACLK	25	-	-	MHz
		pin SYSCLK	50	-	-	MHz
δ_{clk}	clock duty cycle	pin VCLK	-	50	-	%
		pin ACLK	-	50	-	%
		pin SYSCLK	-	50	-	%

Timing output: pins VP[29:0]; $f_s = 165\text{ MHz}$; $C_L = 10\text{ pF}$; see Figure 5

$t_{su(Q)}$	data output set-up time	CLKOUT_DEL = 0; CLKOUT_TOG = 0	1.50	-	-	ns
		CLKOUT_DEL = 1; CLKOUT_TOG = 1; CLKOUT_DEL_SEL[2:0] = 4	0.40	-	-	ns
$t_h(Q)$	data output hold time	CLKOUT_DEL = 0; CLKOUT_TOG = 0	0.80	-	-	ns
		CLKOUT_DEL = 1; CLKOUT_TOG = 1; CLKOUT_DEL_SEL[2:0] = 4	2.00	-	-	ns
$t_{d(pipe)}$	pipeline delay time	from inputs to outputs; all modes; clock interval	-	$80 \times T_{clk}$	-	

Timing output: pins AP[5:0] with respect to ACLK; $f_{clk} = 12.288\text{ MHz}$; $C_L = 10\text{ pF}$; see Figure 6

$t_{su(Q)}$	data output set-up time		69	-	-	ns
$t_h(Q)$	data output hold time		2	-	-	ns

LV-TTL digital outputs: pins VP[29:0], VCLK, AP[5:0], ACLK, DE, HS, VS, HREF, VREF, FREF; $C_L = 10\text{ pF}$

V_{OL}	LOW-level output voltage	$I_{OL} = 2\text{ mA}$	-	-	0.4	V
V_{OH}	HIGH-level output voltage	$I_{OH} = -2\text{ mA}$	2.4	-	-	V
I_{LOZ}	OFF-state output leakage current	high-impedance state; $V_O = 0\text{ V}$ ^[3]	-	0	-	μA
		$V_O = V_{DDO(3V3)} \times \frac{1}{3}$	10	-	100	μA
		$V_O = V_{DDO(3V3)} \times \frac{2}{3}$	-100	-	-10	μA
		$V_O = V_{DDO(3V3)}$	-	0	-	μA

Digital inputs: pins RXxC+, RXxC-^[4]

$V_{I(dif)}$	differential input voltage	$R_{RRX1} = 12\text{ k}\Omega \pm 1\%$; $R_{RRX2} = 12\text{ k}\Omega \pm 1\%$	150	-	1200	mV
$V_{I(cm)}$	common-mode input voltage		2.735	-	3.475	V
$f_{clk(max)}$	maximum clock frequency		205	-	-	MHz

Table 10. Characteristics ...continued

$T_{amb} = 0\text{ }^{\circ}\text{C}$ to $70\text{ }^{\circ}\text{C}$; typical values measured at $T_{amb} = 25\text{ }^{\circ}\text{C}$; unless otherwise specified.

Symbol	Parameter	Conditions	Min	Typ	Max	Unit
Digital inputs: pins RXx0+, RXx0-, RXx1+, RXx1-, RXx2+, RXx2- [4]						
$V_{I(dif)}$	differential input voltage	$R_{RRX1} = 12\text{ k}\Omega \pm 1\%$; $R_{RRX2} = 12\text{ k}\Omega \pm 1\%$	150	-	1200	mV
$V_{I(cm)}$	common-mode input voltage		2.735	-	3.475	V
I²C-bus: pins SCL and SDA [5]						
f_{SCL}	SCL clock frequency		-	-	400	kHz
C_b	capacitive load for each bus line		-	-	400	pF
C_i	capacitance for each I/O pin		-	-	10	pF
DDC I²C-bus: pins HSCLx, HSDAx [4][6]						
f_{SCL}	SCL clock frequency	Standard-mode	-	-	100	kHz
		Fast-mode	-	-	400	kHz
C_i	capacitance for each I/O pin		-	-	10	pF

- [1] At 30 % activity on video port output.
- [2] HDCP decoding is only supported by TDA19977A.
- [3] In high-impedance state, the output buffer is set to repeater mode recopying the input logic state with a small current. The output current changes from most negative to the most positive value at the triggering level which is internally set to $V_{DDO(3V3)} / 2$ (e.g. the value of a pull-up or pull-down resistor must be lower than 18 k Ω to have a stable output value of $V_{DDO(3V3)}$ or 0 V).
- [4] x = A, B or C.
- [5] Fast-mode, 5 V tolerant.
- [6] 5 V tolerant.

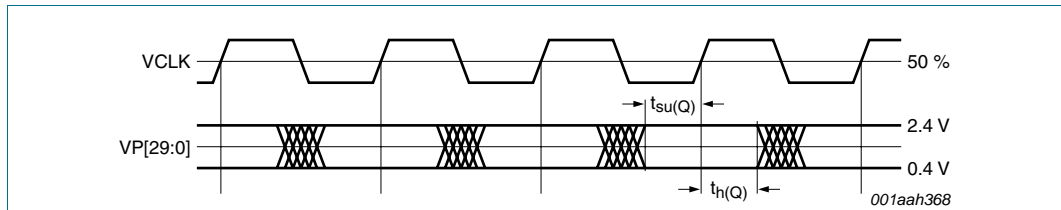


Fig 5. Output timing diagram pin VCLK on pins VP[29:0]

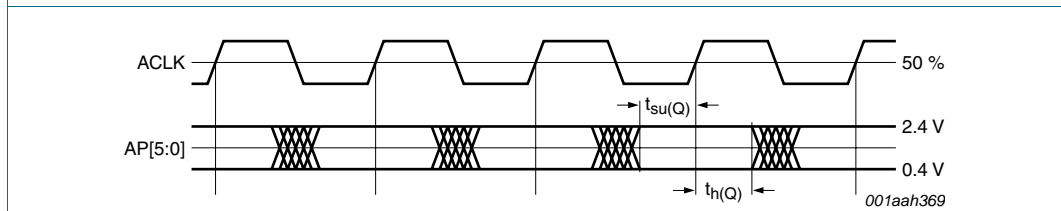


Fig 6. Output timing diagram pin ACLK on pins AP[5:0]

13. Output video port formats

Table 11. Output in 12-bit video port format (register VP_CTRL address = 21h)

Signal	YCbCr 4:2:2 semi-planar ^[1]		YCbCr 4:2:2 ITU-R BT.656 ^[1]			
VP[29]	Y ₀ [11]	Y ₁ [11]	Z/L	Z/L	Z/L	Z/L
VP[28]	Y ₀ [10]	Y ₁ [10]	Z/L	Z/L	Z/L	Z/L
VP[27]	Y ₀ [9]	Y ₁ [9]	Z/L	Z/L	Z/L	Z/L
VP[26]	Y ₀ [8]	Y ₁ [8]	Z/L	Z/L	Z/L	Z/L
VP[25]	Y ₀ [7]	Y ₁ [7]	Z/L	Z/L	Z/L	Z/L
VP[24]	Y ₀ [6]	Y ₁ [6]	Z/L	Z/L	Z/L	Z/L
VP[23]	Y ₀ [5]	Y ₁ [5]	Z/L	Z/L	Z/L	Z/L
VP[22]	Y ₀ [4]	Y ₁ [4]	Z/L	Z/L	Z/L	Z/L
VP[21]	Y ₀ [3]	Y ₁ [3]	Z/L	Z/L	Z/L	Z/L
VP[20]	Y ₀ [2]	Y ₁ [2]	Z/L	Z/L	Z/L	Z/L
VP[19]	Y ₀ [1]	Y ₁ [1]	Z/L	Z/L	Z/L	Z/L
VP[18]	Y ₀ [0]	Y ₁ [0]	Z/L	Z/L	Z/L	Z/L
VP[17]	Cb[11]	Cr[11]	Cb[11]	Y ₀ [11]	Cr[11]	Y ₁ [11]
VP[16]	Cb[10]	Cr[10]	Cb[10]	Y ₀ [10]	Cr[10]	Y ₁ [10]
VP[15]	Cb[9]	Cr[9]	Cb[9]	Y ₀ [9]	Cr[9]	Y ₁ [9]
VP[14]	Cb[8]	Cr[8]	Cb[8]	Y ₀ [8]	Cr[8]	Y ₁ [8]
VP[13]	Cb[7]	Cr[7]	Cb[7]	Y ₀ [7]	Cr[7]	Y ₁ [7]
VP[12]	Cb[6]	Cr[6]	Cb[6]	Y ₀ [6]	Cr[6]	Y ₁ [6]
VP[11]	Cb[5]	Cr[5]	Cb[5]	Y ₀ [5]	Cr[5]	Y ₁ [5]
VP[10]	Cb[4]	Cr[4]	Cb[4]	Y ₀ [4]	Cr[4]	Y ₁ [4]
VP[9]	Cb[3]	Cr[3]	Cb[3]	Y ₀ [3]	Cr[3]	Y ₁ [3]
VP[8]	Cb[2]	Cr[2]	Cb[2]	Y ₀ [2]	Cr[2]	Y ₁ [2]
VP[7]	Cb[1]	Cr[1]	Cb[1]	Y ₀ [1]	Cr[1]	Y ₁ [1]
VP[6]	Cb[0]	Cr[0]	Cb[0]	Y ₀ [0]	Cr[0]	Y ₁ [0]
VP[5]	Z/L	Z/L	Z/L	Z/L	Z/L	Z/L
VP[4]	Z/L	Z/L	Z/L	Z/L	Z/L	Z/L
VP[3]	Z/L	Z/L	Z/L	Z/L	Z/L	Z/L
VP[2]	Z/L	Z/L	Z/L	Z/L	Z/L	Z/L
VP[1]	Z/L	Z/L	Z/L	Z/L	Z/L	Z/L
VP[0]	Z/L	Z/L	Z/L	Z/L	Z/L	Z/L

[1] Z = high-impedance; L = LOW-level; depending on bit VPL.

Table 12. Output in 12-bit video port format (register VP_CTRL address = 09h)

Signal	YCbCr 4:2:2 semi-planar ^[1]		YCbCr 4:2:2 ITU-R BT.656 ^[1]			
VP[29]	Cb[11]	Cr[11]	Cb[11]	Y ₀ [11]	Cr[11]	Y ₁ [11]
VP[28]	Cb[10]	Cr[10]	Cb[10]	Y ₀ [10]	Cr[10]	Y ₁ [10]
VP[27]	Cb[9]	Cr[9]	Cb[9]	Y ₀ [9]	Cr[9]	Y ₁ [9]
VP[26]	Cb[8]	Cr[8]	Cb[8]	Y ₀ [8]	Cr[8]	Y ₁ [8]
VP[25]	Cb[7]	Cr[7]	Cb[7]	Y ₀ [7]	Cr[7]	Y ₁ [7]
VP[24]	Cb[6]	Cr[6]	Cb[6]	Y ₀ [6]	Cr[6]	Y ₁ [6]
VP[23]	Cb[5]	Cr[5]	Cb[5]	Y ₀ [5]	Cr[5]	Y ₁ [5]
VP[22]	Cb[4]	Cr[4]	Cb[4]	Y ₀ [4]	Cr[4]	Y ₁ [4]
VP[21]	Cb[3]	Cr[3]	Cb[3]	Y ₀ [3]	Cr[3]	Y ₁ [3]
VP[20]	Cb[2]	Cr[2]	Cb[2]	Y ₀ [2]	Cr[2]	Y ₁ [2]
VP[19]	Cb[1]	Cr[1]	Cb[1]	Y ₀ [1]	Cr[1]	Y ₁ [1]
VP[18]	Cb[0]	Cr[0]	Cb[0]	Y ₀ [0]	Cr[0]	Y ₁ [0]
VP[17]	Y ₀ [11]	Y ₁ [11]	Z/L	Z/L	Z/L	Z/L
VP[16]	Y ₀ [10]	Y ₁ [10]	Z/L	Z/L	Z/L	Z/L
VP[15]	Y ₀ [9]	Y ₁ [9]	Z/L	Z/L	Z/L	Z/L
VP[14]	Y ₀ [8]	Y ₁ [8]	Z/L	Z/L	Z/L	Z/L
VP[13]	Y ₀ [7]	Y ₁ [7]	Z/L	Z/L	Z/L	Z/L
VP[12]	Y ₀ [6]	Y ₁ [6]	Z/L	Z/L	Z/L	Z/L
VP[11]	Y ₀ [5]	Y ₁ [5]	Z/L	Z/L	Z/L	Z/L
VP[10]	Y ₀ [4]	Y ₁ [4]	Z/L	Z/L	Z/L	Z/L
VP[9]	Y ₀ [3]	Y ₁ [3]	Z/L	Z/L	Z/L	Z/L
VP[8]	Y ₀ [2]	Y ₁ [2]	Z/L	Z/L	Z/L	Z/L
VP[7]	Y ₀ [1]	Y ₁ [1]	Z/L	Z/L	Z/L	Z/L
VP[6]	Y ₀ [0]	Y ₁ [0]	Z/L	Z/L	Z/L	Z/L
VP[5]	Z/L	Z/L	Z/L	Z/L	Z/L	Z/L
VP[4]	Z/L	Z/L	Z/L	Z/L	Z/L	Z/L
VP[3]	Z/L	Z/L	Z/L	Z/L	Z/L	Z/L
VP[2]	Z/L	Z/L	Z/L	Z/L	Z/L	Z/L
VP[1]	Z/L	Z/L	Z/L	Z/L	Z/L	Z/L
VP[0]	Z/L	Z/L	Z/L	Z/L	Z/L	Z/L

[1] Z = high-impedance; L = LOW-level; depending on bit VPL.

Table 13. Output in 10-bit video port format (register VP_CTRL address = 61h)

Signal	RGB	YCbCr 4:4:4	YCbCr 4:2:2 semi-planar ^[1]		YCbCr 4:2:2 ITU-R BT.656 ^[1]			
VP[29]	G[11]	Y[11]	Y ₀ [11]	Y ₁ [11]	Z/L	Z/L	Z/L	Z/L
VP[28]	G[10]	Y[10]	Y ₀ [10]	Y ₁ [10]	Z/L	Z/L	Z/L	Z/L
VP[27]	G[9]	Y[9]	Y ₀ [9]	Y ₁ [9]	Z/L	Z/L	Z/L	Z/L
VP[26]	G[8]	Y[8]	Y ₀ [8]	Y ₁ [8]	Z/L	Z/L	Z/L	Z/L
VP[25]	G[7]	Y[7]	Y ₀ [7]	Y ₁ [7]	Z/L	Z/L	Z/L	Z/L
VP[24]	G[6]	Y[6]	Y ₀ [6]	Y ₁ [6]	Z/L	Z/L	Z/L	Z/L
VP[23]	G[5]	Y[5]	Y ₀ [5]	Y ₁ [5]	Z/L	Z/L	Z/L	Z/L
VP[22]	G[4]	Y[4]	Y ₀ [4]	Y ₁ [4]	Z/L	Z/L	Z/L	Z/L
VP[21]	G[3]	Y[3]	Y ₀ [3]	Y ₁ [3]	Z/L	Z/L	Z/L	Z/L
VP[20]	G[2]	Y[2]	Y ₀ [2]	Y ₁ [2]	Z/L	Z/L	Z/L	Z/L
VP[19]	R[11]	Cr[11]	Cb[11]	Cr[11]	Cb[11]	Y ₀ [11]	Cr[11]	Y ₁ [11]
VP[18]	R[10]	Cr[10]	Cb[10]	Cr[10]	Cb[10]	Y ₀ [10]	Cr[10]	Y ₁ [10]
VP[17]	R[9]	Cr[9]	Cb[9]	Cr[9]	Cb[9]	Y ₀ [9]	Cr[9]	Y ₁ [9]
VP[16]	R[8]	Cr[8]	Cb[8]	Cr[8]	Cb[8]	Y ₀ [8]	Cr[8]	Y ₁ [8]
VP[15]	R[7]	Cr[7]	Cb[7]	Cr[7]	Cb[7]	Y ₀ [7]	Cr[7]	Y ₁ [7]
VP[14]	R[6]	Cr[6]	Cb[6]	Cr[6]	Cb[6]	Y ₀ [6]	Cr[6]	Y ₁ [6]
VP[13]	R[5]	Cr[5]	Cb[5]	Cr[5]	Cb[5]	Y ₀ [5]	Cr[5]	Y ₁ [5]
VP[12]	R[4]	Cr[4]	Cb[4]	Cr[4]	Cb[4]	Y ₀ [4]	Cr[4]	Y ₁ [4]
VP[11]	R[3]	Cr[3]	Cb[3]	Cr[3]	Cb[3]	Y ₀ [3]	Cr[3]	Y ₁ [3]
VP[10]	R[2]	Cr[2]	Cb[2]	Cr[2]	Cb[2]	Y ₀ [2]	Cr[2]	Y ₁ [2]
VP[9]	B[11]	Cb[11]	Z/L	Z/L	Z/L	Z/L	Z/L	Z/L
VP[8]	B[10]	Cb[10]	Z/L	Z/L	Z/L	Z/L	Z/L	Z/L
VP[7]	B[9]	Cb[9]	Z/L	Z/L	Z/L	Z/L	Z/L	Z/L
VP[6]	B[8]	Cb[8]	Z/L	Z/L	Z/L	Z/L	Z/L	Z/L
VP[5]	B[7]	Cb[7]	Z/L	Z/L	Z/L	Z/L	Z/L	Z/L
VP[4]	B[6]	Cb[6]	Z/L	Z/L	Z/L	Z/L	Z/L	Z/L
VP[3]	B[5]	Cb[5]	Z/L	Z/L	Z/L	Z/L	Z/L	Z/L
VP[2]	B[4]	Cb[4]	Z/L	Z/L	Z/L	Z/L	Z/L	Z/L
VP[1]	B[3]	Cb[3]	Z/L	Z/L	Z/L	Z/L	Z/L	Z/L
VP[0]	B[2]	Cb[2]	Z/L	Z/L	Z/L	Z/L	Z/L	Z/L

[1] Z = high-impedance; L = LOW-level; depending on bit VPL.

Table 14. Output in 10-bit video port format (register VP_CTRL address = 58h)

Signal	RGB	YCbCr 4:4:4	YCbCr 4:2:2 semi-planar ^[1]		YCbCr 4:2:2 ITU-R BT.656 ^[1]			
VP[29]	B[11]	Cb[11]	Z/L	Z/L	Z/L	Z/L	Z/L	Z/L
VP[28]	B[10]	Cb[10]	Z/L	Z/L	Z/L	Z/L	Z/L	Z/L
VP[27]	B[9]	Cb[9]	Z/L	Z/L	Z/L	Z/L	Z/L	Z/L
VP[26]	B[8]	Cb[8]	Z/L	Z/L	Z/L	Z/L	Z/L	Z/L
VP[25]	B[7]	Cb[7]	Z/L	Z/L	Z/L	Z/L	Z/L	Z/L
VP[24]	B[6]	Cb[6]	Z/L	Z/L	Z/L	Z/L	Z/L	Z/L
VP[23]	B[5]	Cb[5]	Z/L	Z/L	Z/L	Z/L	Z/L	Z/L
VP[22]	B[4]	Cb[4]	Z/L	Z/L	Z/L	Z/L	Z/L	Z/L
VP[21]	B[3]	Cb[3]	Z/L	Z/L	Z/L	Z/L	Z/L	Z/L
VP[20]	B[2]	Cb[2]	Z/L	Z/L	Z/L	Z/L	Z/L	Z/L
VP[19]	G[11]	Y[11]	Y ₀ [11]	Y ₁ [11]	Z/L	Z/L	Z/L	Z/L
VP[18]	G[10]	Y[10]	Y ₀ [10]	Y ₁ [10]	Z/L	Z/L	Z/L	Z/L
VP[17]	G[9]	Y[9]	Y ₀ [9]	Y ₁ [9]	Z/L	Z/L	Z/L	Z/L
VP[16]	G[8]	Y[8]	Y ₀ [8]	Y ₁ [8]	Z/L	Z/L	Z/L	Z/L
VP[15]	G[7]	Y[7]	Y ₀ [7]	Y ₁ [7]	Z/L	Z/L	Z/L	Z/L
VP[14]	G[6]	Y[6]	Y ₀ [6]	Y ₁ [6]	Z/L	Z/L	Z/L	Z/L
VP[13]	G[5]	Y[5]	Y ₀ [5]	Y ₁ [5]	Z/L	Z/L	Z/L	Z/L
VP[12]	G[4]	Y[4]	Y ₀ [4]	Y ₁ [4]	Z/L	Z/L	Z/L	Z/L
VP[11]	G[3]	Y[3]	Y ₀ [3]	Y ₁ [3]	Z/L	Z/L	Z/L	Z/L
VP[10]	G[2]	Y[2]	Y ₀ [2]	Y ₁ [2]	Z/L	Z/L	Z/L	Z/L
VP[9]	R[11]	Cr[11]	Cb[11]	Cr[11]	Cb[11]	Y ₀ [11]	Cr[11]	Y ₁ [11]
VP[8]	R[10]	Cr[10]	Cb[10]	Cr[10]	Cb[10]	Y ₀ [10]	Cr[10]	Y ₁ [10]
VP[7]	R[9]	Cr[9]	Cb[9]	Cr[9]	Cb[9]	Y ₀ [9]	Cr[9]	Y ₁ [9]
VP[6]	R[8]	Cr[8]	Cb[8]	Cr[8]	Cb[8]	Y ₀ [8]	Cr[8]	Y ₁ [8]
VP[5]	R[7]	Cr[7]	Cb[7]	Cr[7]	Cb[7]	Y ₀ [7]	Cr[7]	Y ₁ [7]
VP[4]	R[6]	Cr[6]	Cb[6]	Cr[6]	Cb[6]	Y ₀ [6]	Cr[6]	Y ₁ [6]
VP[3]	R[5]	Cr[5]	Cb[5]	Cr[5]	Cb[5]	Y ₀ [5]	Cr[5]	Y ₁ [5]
VP[2]	R[4]	Cr[4]	Cb[4]	Cr[4]	Cb[4]	Y ₀ [4]	Cr[4]	Y ₁ [4]
VP[1]	R[3]	Cr[3]	Cb[3]	Cr[3]	Cb[3]	Y ₀ [3]	Cr[3]	Y ₁ [3]
VP[0]	R[2]	Cr[2]	Cb[2]	Cr[2]	Cb[2]	Y ₀ [2]	Cr[2]	Y ₁ [2]

[1] Z = high-impedance; L = LOW-level; depending on bit VPL.

Table 15. Output in 8-bit video port format (register VP_CTRL address = A1h)

Signal	RGB ^[1]	YCbCr 4:4:4 ^[1]	YCbCr 4:2:2 semi-planar ^[1]		YCbCr 4:2:2 ITU-R BT.656 ^[1]			
VP[29]	G[11]	Y[11]	Y ₀ [11]	Y ₁ [11]	Z/L	Z/L	Z/L	Z/L
VP[28]	G[10]	Y[10]	Y ₀ [10]	Y ₁ [10]	Z/L	Z/L	Z/L	Z/L
VP[27]	G[9]	Y[9]	Y ₀ [9]	Y ₁ [9]	Z/L	Z/L	Z/L	Z/L
VP[26]	G[8]	Y[8]	Y ₀ [8]	Y ₁ [8]	Z/L	Z/L	Z/L	Z/L
VP[25]	G[7]	Y[7]	Y ₀ [7]	Y ₁ [7]	Z/L	Z/L	Z/L	Z/L
VP[24]	G[6]	Y[6]	Y ₀ [6]	Y ₁ [6]	Z/L	Z/L	Z/L	Z/L
VP[23]	G[5]	Y[5]	Y ₀ [5]	Y ₁ [5]	Z/L	Z/L	Z/L	Z/L
VP[22]	G[4]	Y[4]	Y ₀ [4]	Y ₁ [4]	Z/L	Z/L	Z/L	Z/L
VP[21]	R[11]	Cr[11]	Cb[11]	Cr[11]	Cb[11]	Y ₀ [11]	Cr[11]	Y ₁ [11]
VP[20]	R[10]	Cr[10]	Cb[10]	Cr[10]	Cb[10]	Y ₀ [10]	Cr[10]	Y ₁ [10]
VP[19]	R[9]	Cr[9]	Cb[9]	Cr[9]	Cb[9]	Y ₀ [9]	Cr[9]	Y ₁ [9]
VP[18]	R[8]	Cr[8]	Cb[8]	Cr[8]	Cb[8]	Y ₀ [8]	Cr[8]	Y ₁ [8]
VP[17]	R[7]	Cr[7]	Cb[7]	Cr[7]	Cb[7]	Y ₀ [7]	Cr[7]	Y ₁ [7]
VP[16]	R[6]	Cr[6]	Cb[6]	Cr[6]	Cb[6]	Y ₀ [6]	Cr[6]	Y ₁ [6]
VP[15]	R[5]	Cr[5]	Cb[5]	Cr[5]	Cb[5]	Y ₀ [5]	Cr[5]	Y ₁ [5]
VP[14]	R[4]	Cr[4]	Cb[4]	Cr[4]	Cb[4]	Y ₀ [4]	Cr[4]	Y ₁ [4]
VP[13]	B[11]	Cb[11]	Z/L	Z/L	Z/L	Z/L	Z/L	Z/L
VP[12]	B[10]	Cb[10]	Z/L	Z/L	Z/L	Z/L	Z/L	Z/L
VP[11]	B[9]	Cb[9]	Z/L	Z/L	Z/L	Z/L	Z/L	Z/L
VP[10]	B[8]	Cb[8]	Z/L	Z/L	Z/L	Z/L	Z/L	Z/L
VP[9]	B[7]	Cb[7]	Z/L	Z/L	Z/L	Z/L	Z/L	Z/L
VP[8]	B[6]	Cb[6]	Z/L	Z/L	Z/L	Z/L	Z/L	Z/L
VP[7]	B[5]	Cb[5]	Z/L	Z/L	Z/L	Z/L	Z/L	Z/L
VP[6]	B[4]	Cb[4]	Z/L	Z/L	Z/L	Z/L	Z/L	Z/L
VP[5]	Z/L	Z/L	Z/L	Z/L	Z/L	Z/L	Z/L	Z/L
VP[4]	Z/L	Z/L	Z/L	Z/L	Z/L	Z/L	Z/L	Z/L
VP[3]	Z/L	Z/L	Z/L	Z/L	Z/L	Z/L	Z/L	Z/L
VP[2]	Z/L	Z/L	Z/L	Z/L	Z/L	Z/L	Z/L	Z/L
VP[1]	Z/L	Z/L	Z/L	Z/L	Z/L	Z/L	Z/L	Z/L
VP[0]	Z/L	Z/L	Z/L	Z/L	Z/L	Z/L	Z/L	Z/L

[1] Z = high-impedance; L = LOW-level; depending on bit VPL.

Table 16. Output in 8-bit video port format (register VP_CTRL address = 98h)

Signal	RGB ^[1]	YCbCr 4:4:4 ^[1]	YCbCr 4:2:2 semi-planar ^[1]	YCbCr 4:2:2 ITU-R BT.656 ^[1]				
VP[29]	B[11]	Cb[11]	Z/L	Z/L	Z/L	Z/L	Z/L	Z/L
VP[28]	B[10]	Cb[10]	Z/L	Z/L	Z/L	Z/L	Z/L	Z/L
VP[27]	B[9]	Cb[9]	Z/L	Z/L	Z/L	Z/L	Z/L	Z/L
VP[26]	B[8]	Cb[8]	Z/L	Z/L	Z/L	Z/L	Z/L	Z/L
VP[25]	B[7]	Cb[7]	Z/L	Z/L	Z/L	Z/L	Z/L	Z/L
VP[24]	B[6]	Cb[6]	Z/L	Z/L	Z/L	Z/L	Z/L	Z/L
VP[23]	B[5]	Cb[5]	Z/L	Z/L	Z/L	Z/L	Z/L	Z/L
VP[22]	B[4]	Cb[4]	Z/L	Z/L	Z/L	Z/L	Z/L	Z/L
VP[21]	G[11]	Y[11]	Y ₀ [11]	Y ₁ [11]	Z/L	Z/L	Z/L	Z/L
VP[20]	G[10]	Y[10]	Y ₀ [10]	Y ₁ [10]	Z/L	Z/L	Z/L	Z/L
VP[19]	G[9]	Y[9]	Y ₀ [9]	Y ₁ [9]	Z/L	Z/L	Z/L	Z/L
VP[18]	G[8]	Y[8]	Y ₀ [8]	Y ₁ [8]	Z/L	Z/L	Z/L	Z/L
VP[17]	G[7]	Y[7]	Y ₀ [7]	Y ₁ [7]	Z/L	Z/L	Z/L	Z/L
VP[16]	G[6]	Y[6]	Y ₀ [6]	Y ₁ [6]	Z/L	Z/L	Z/L	Z/L
VP[15]	G[5]	Y[5]	Y ₀ [5]	Y ₁ [5]	Z/L	Z/L	Z/L	Z/L
VP[14]	G[4]	Y[4]	Y ₀ [4]	Y ₁ [4]	Z/L	Z/L	Z/L	Z/L
VP[13]	R[11]	Cr[11]	Cb[11]	Cr[11]	Cb[11]	Y ₀ [11]	Cr[11]	Y ₁ [11]
VP[12]	R[10]	Cr[10]	Cb[10]	Cr[10]	Cb[10]	Y ₀ [10]	Cr[10]	Y ₁ [10]
VP[11]	R[9]	Cr[9]	Cb[9]	Cr[9]	Cb[9]	Y ₀ [9]	Cr[9]	Y ₁ [9]
VP[10]	R[8]	Cr[8]	Cb[8]	Cr[8]	Cb[8]	Y ₀ [8]	Cr[8]	Y ₁ [8]
VP[9]	R[7]	Cr[7]	Cb[7]	Cr[7]	Cb[7]	Y ₀ [7]	Cr[7]	Y ₁ [7]
VP[8]	R[6]	Cr[6]	Cb[6]	Cr[6]	Cb[6]	Y ₀ [6]	Cr[6]	Y ₁ [6]
VP[7]	R[5]	Cr[5]	Cb[5]	Cr[5]	Cb[5]	Y ₀ [5]	Cr[5]	Y ₁ [5]
VP[6]	R[4]	Cr[4]	Cb[4]	Cr[4]	Cb[4]	Y ₀ [4]	Cr[4]	Y ₁ [4]
VP[5]	Z/L	Z/L	Z/L	Z/L	Z/L	Z/L	Z/L	Z/L
VP[4]	Z/L	Z/L	Z/L	Z/L	Z/L	Z/L	Z/L	Z/L
VP[3]	Z/L	Z/L	Z/L	Z/L	Z/L	Z/L	Z/L	Z/L
VP[2]	Z/L	Z/L	Z/L	Z/L	Z/L	Z/L	Z/L	Z/L
VP[1]	Z/L	Z/L	Z/L	Z/L	Z/L	Z/L	Z/L	Z/L
VP[0]	Z/L	Z/L	Z/L	Z/L	Z/L	Z/L	Z/L	Z/L

[1] Z = high-impedance; L = LOW-level; depending on bit VPL.

14. Example of supported video formats

Table 17. Example of supported video formats

Standard	Format	Total pixels × total lines	Horizontal rate (kHz)	Pixel clock rate (MHz) ^[1]
576i ^[2]	1440 × 576i 50 Hz	1728 × 625	15.750	27.000 ^[3]
480i ^[4]	1440 × 480i 59.94 Hz	1716 × 525	15.734	27.000 ^[3]
	1440 × 480i 60 Hz	1716 × 525	15.750	27.027 ^[3]
576p	720 × 576p 50 Hz	864 × 625	31.250	27.000
480p	720 × 480p 59.94 Hz	858 × 525	31.469	27.000
	720 × 480p 60 Hz	858 × 525	31.500	27.027
720p	1280 × 720p 50 Hz	1980 × 750	37.500	74.250
	1280 × 720p 59.94 Hz	1650 × 750	44.955	74.176
	1280 × 720p 60 Hz	1650 × 750	45.000	74.250
1080i	1920 × 1080i 50 Hz	2640 × 1125	28.125	74.250
	1920 × 1080i 59.94 Hz	2200 × 1125	33.716	74.176
	1920 × 1080i 60 Hz	2200 × 1125	33.750	74.250
1080p	1920 × 1080p 50 Hz ^[5]	2640 × 1125	56.250	148.500
	1920 × 1080p 59.94 Hz ^[5]	2200 × 1125	67.433	148.352
	1920 × 1080p 60 Hz ^[5]	2200 × 1125	67.500	148.500
0.31M3 VGA	640 × 480p 60 Hz	800 × 525	31.469	25.175
	640 × 480p 72 Hz	832 × 520	37.861	31.500
	640 × 480p 75 Hz	840 × 500	37.500	31.500
	640 × 480p 85 Hz	832 × 509	43.269	36.000
0.48M3 SVGA	800 × 600p 56 Hz	1024 × 625	35.156	36.000
	800 × 600p 60 Hz	1056 × 628	37.879	40.000
	800 × 600p 72 Hz	1040 × 666	48.077	50.000
	800 × 600p 75 Hz	1056 × 625	46.875	49.500
	800 × 600p 85 Hz	1048 × 631	53.674	56.250
0.48M3-R	800 × 600p 120 Hz	960 × 636	76.302	73.250
0.41M9	848 × 480p 60 Hz	1088 × 517	31.020	33.750
0.79M3 XGA	1024 × 768p 43 Hz	1264 × 817	35.522	44.900
	1024 × 768p 60 Hz	1344 × 806	48.363	65.000
	1024 × 768p 70 Hz	1328 × 806	56.476	75.000
	1024 × 768p 75 Hz	1312 × 800	60.023	78.750
	1024 × 768p 85 Hz	1376 × 808	68.677	94.500
0.79M3-R XGA	1024 × 768p 120 Hz	1184 × 813	97.551	115.500
1.00M3	1152 × 864p 75 Hz	1600 × 900	67.500	108.000
0.98M9-R	1280 × 768p 60 Hz	1440 × 790	47.396	68.250
	1280 × 768p 120 Hz ^[5]	1440 × 813	97.396	140.250
0.98M9	1280 × 768p 60 Hz	1664 × 798	47.776	79.500
	1280 × 768p 75 Hz	1696 × 805	60.289	102.250
	1280 × 768p 85 Hz	1712 × 809	68.633	117.500

Table 17. Example of supported video formats ...continued

Standard	Format	Total pixels × total lines	Horizontal rate (kHz)	Pixel clock rate (MHz) ^[1]
1.02MA-R	1280 × 800p 60 Hz	1440 × 823	49.306	71.000
	1280 × 800p 120 Hz ^[5]	1440 × 847	101.563	146.250
1.02MA	1280 × 800p 60 Hz	1680 × 831	49.702	83.500
	1280 × 800p 75 Hz	1696 × 838	62.795	106.500
	1280 × 800p 85 Hz	1712 × 843	71.554	122.500
1.23M3	1280 × 960p 60 Hz	1800 × 1000	60.000	108.000
	1280 × 960p 85 Hz ^[5]	1728 × 1011	85.938	148.500
1.31M4 SXGA	1280 × 1024p 60 Hz	1688 × 1066	63.981	108.000
	1280 × 1024p 75 Hz	1688 × 1066	79.976	135.000
	1280 × 1024p 85 Hz ^[5]	1728 × 1072	91.146	157.500
1.04M9	1360 × 768p 60 Hz	1792 × 795	47.712	85.500
1.04M9-R	1360 × 768p 120 Hz ^[5]	1520 × 813	97.533	148.250
1.47M3-R	1400 × 1050p 60 Hz	1560 × 1080	64.744	101.000
1.47M3	1400 × 1050p 60 Hz	1864 × 1089	65.317	121.750
	1400 × 1050p 75 Hz ^[5]	1896 × 1099	82.278	156.000
1.29MA-R	1440 × 900p 60 Hz	1600 × 926	55.469	88.750
1.29MA	1440 × 900p 60 Hz	1904 × 934	55.935	106.500
	1440 × 900p 75 Hz ^[5]	1936 × 942	70.635	136.750
	1440 × 900p 85 Hz ^[5]	1952 × 948	80.430	157.000
1.92M3 UXGA	1600 × 1200p 60 Hz ^[5]	2160 × 1250	75.000	162.000
1.76MA-R	1680 × 1050p 60 Hz	1840 × 1080	64.674	119.000
1.76MA	1680 × 1050p 60 Hz ^[5]	2240 × 1089	65.290	146.250
2.30MA-R ^[6]	1920 × 1200p 60 Hz ^[5]	2080 × 1235	74.038	154.000

[1] Pixel clock rate corresponds to VCLK output for 4:4:4 format and 4:2:2 semi-planar; VCLK / 2 for 4:2:2 ITU-R BT.656 format. The pixel clock rate can be determined by:

- a) Total pixels × total lines × frame rate for the progressive format.
- b) Total pixels × total lines × frame rate / 2 for the interlaced format.

[2] Also referred to as PAL (Phase Alternating Line).

[3] Pixel-doubling.

[4] Also referred to as NTSC (National Television Standards Committee).

[5] Only supports Deep Color mode 10-bit.

[6] Sometimes also referred to as WUXGA (Wide Ultra eXtended Graphics Array).

15. Application information

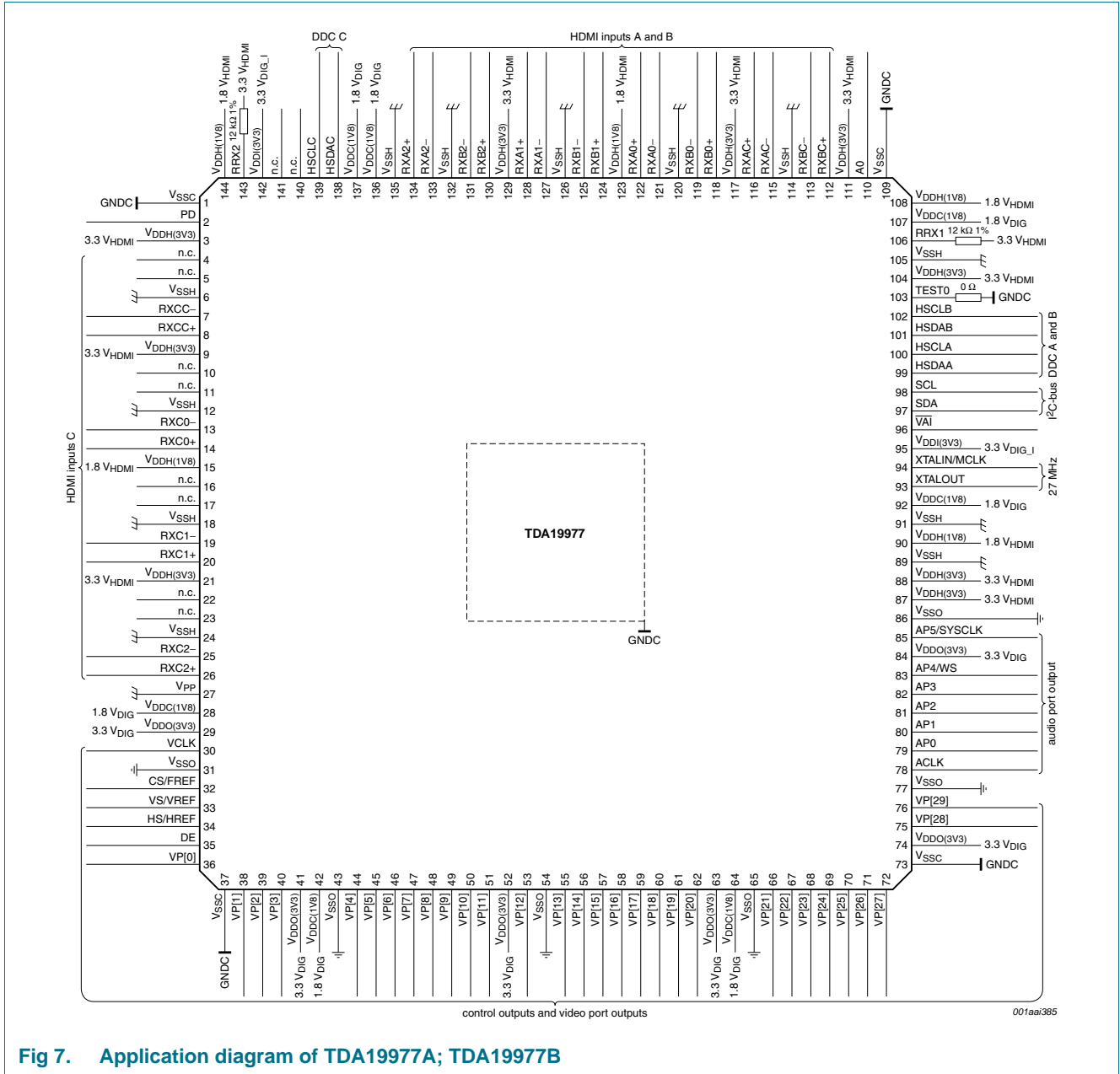


Fig 7. Application diagram of TDA19977A; TDA19977B

16. Package outline

HLQFP144: plastic thermal enhanced low profile quad flat package; 144 leads; body 20 x 20 x 1.4 mm; exposed die pad

SOT612-3

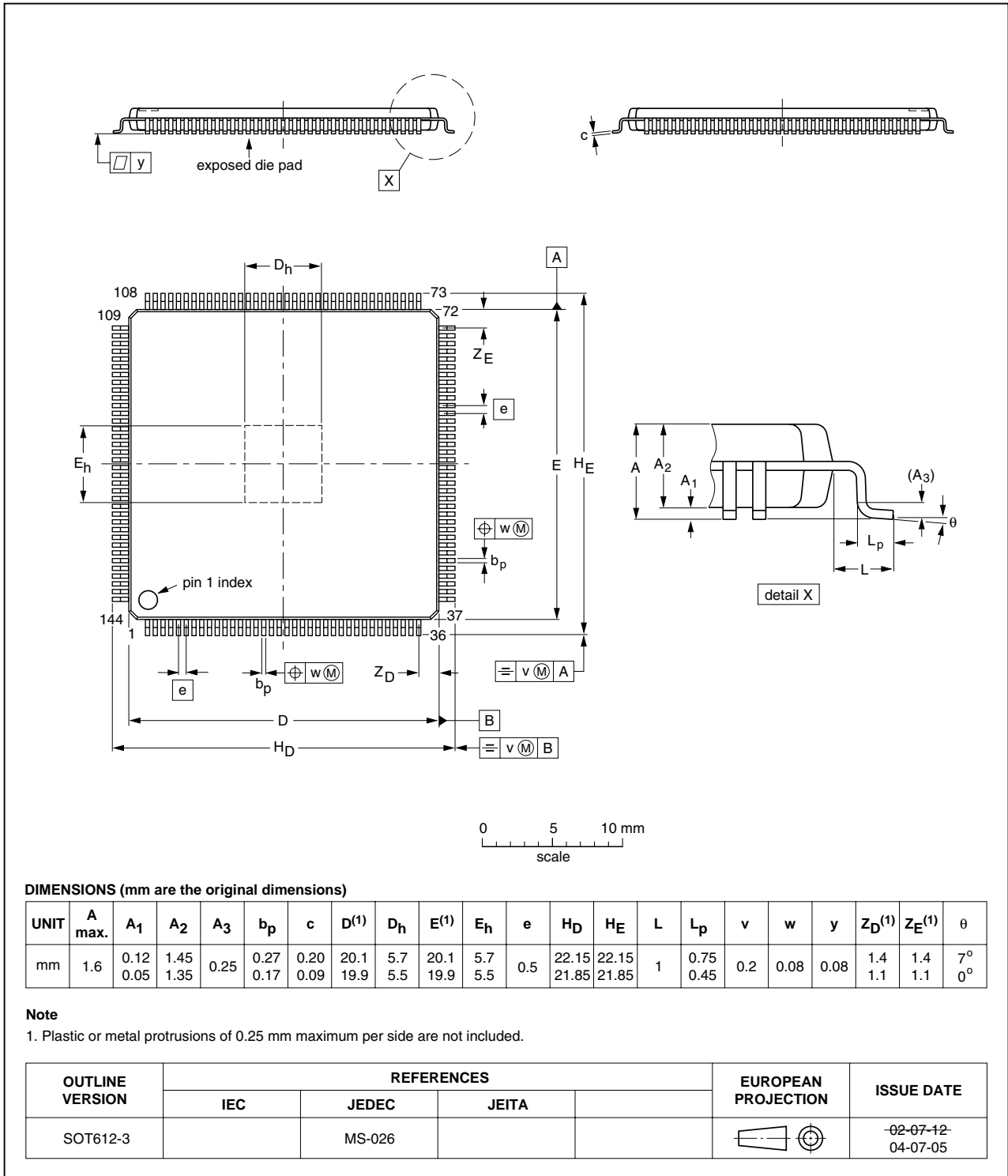


Fig 8. Package outline SOT612-3 (HLQFP144)

17. Soldering of SMD packages

This text provides a very brief insight into a complex technology. A more in-depth account of soldering ICs can be found in Application Note *AN10365 "Surface mount reflow soldering description"*.

17.1 Introduction to soldering

Soldering is one of the most common methods through which packages are attached to Printed Circuit Boards (PCBs), to form electrical circuits. The soldered joint provides both the mechanical and the electrical connection. There is no single soldering method that is ideal for all IC packages. Wave soldering is often preferred when through-hole and Surface Mount Devices (SMDs) are mixed on one printed wiring board; however, it is not suitable for fine pitch SMDs. Reflow soldering is ideal for the small pitches and high densities that come with increased miniaturization.

17.2 Wave and reflow soldering

Wave soldering is a joining technology in which the joints are made by solder coming from a standing wave of liquid solder. The wave soldering process is suitable for the following:

- Through-hole components
- Leaded or leadless SMDs, which are glued to the surface of the printed circuit board

Not all SMDs can be wave soldered. Packages with solder balls, and some leadless packages which have solder lands underneath the body, cannot be wave soldered. Also, leaded SMDs with leads having a pitch smaller than ~0.6 mm cannot be wave soldered, due to an increased probability of bridging.

The reflow soldering process involves applying solder paste to a board, followed by component placement and exposure to a temperature profile. Leaded packages, packages with solder balls, and leadless packages are all reflow solderable.

Key characteristics in both wave and reflow soldering are:

- Board specifications, including the board finish, solder masks and vias
- Package footprints, including solder thieves and orientation
- The moisture sensitivity level of the packages
- Package placement
- Inspection and repair
- Lead-free soldering versus SnPb soldering

17.3 Wave soldering

Key characteristics in wave soldering are:

- Process issues, such as application of adhesive and flux, clinching of leads, board transport, the solder wave parameters, and the time during which components are exposed to the wave
- Solder bath specifications, including temperature and impurities

17.4 Reflow soldering

Key characteristics in reflow soldering are:

- Lead-free versus SnPb soldering; note that a lead-free reflow process usually leads to higher minimum peak temperatures (see [Figure 9](#)) than a SnPb process, thus reducing the process window
- Solder paste printing issues including smearing, release, and adjusting the process window for a mix of large and small components on one board
- Reflow temperature profile; this profile includes preheat, reflow (in which the board is heated to the peak temperature) and cooling down. It is imperative that the peak temperature is high enough for the solder to make reliable solder joints (a solder paste characteristic). In addition, the peak temperature must be low enough that the packages and/or boards are not damaged. The peak temperature of the package depends on package thickness and volume and is classified in accordance with [Table 18](#) and [19](#)

Table 18. SnPb eutectic process (from J-STD-020C)

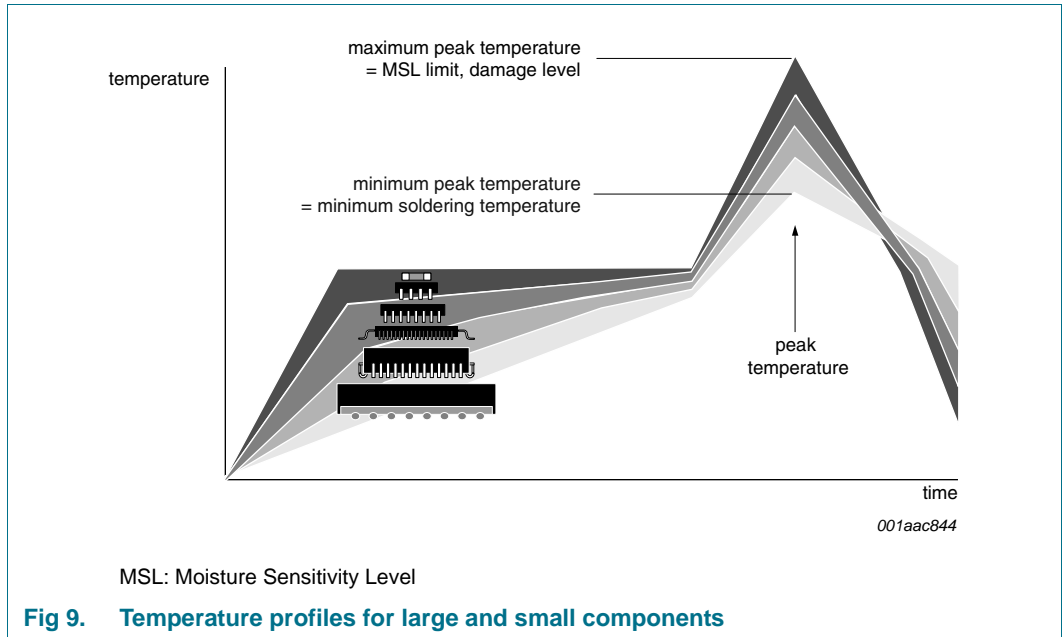
Package thickness (mm)	Package reflow temperature (°C)	
	Volume (mm ³)	
	< 350	≥ 350
< 2.5	235	220
≥ 2.5	220	220

Table 19. Lead-free process (from J-STD-020C)

Package thickness (mm)	Package reflow temperature (°C)		
	Volume (mm ³)		
	< 350	350 to 2000	> 2000
< 1.6	260	260	260
1.6 to 2.5	260	250	245
> 2.5	250	245	245

Moisture sensitivity precautions, as indicated on the packing, must be respected at all times.

Studies have shown that small packages reach higher temperatures during reflow soldering, see [Figure 9](#).



For further information on temperature profiles, refer to Application Note AN10365 “Surface mount reflow soldering description”.

18. Abbreviations

Table 20. Abbreviations

Acronym	Description
ACR	Audio Clock Regeneration
AVR	Audio Video Receiver
AWG	American Wire Gauge
CMOS	Complementary Metal-Oxide-Semiconductor
DAC	Digital-to-Analog Converter
DDC-bus	Display Data Channel bus
DSD	Direct Stream Digital
DST	Direct Stream Transfer
DTS-HD	Digital Theater Systems High-Definition
DVD	Digital Versatile Disc
DVI	Digital Video Interface
EDID	Extended Display Identification Data
HBM	Human Body Model
HBR	High Bit Rate
HD	High-Definition
HDCP	High-bandwidth Digital Content Protection
HDMI	High-Definition Multimedia Interface
HDTV	High-Definition TeleVision
L-PCM	Linear-Pulse Code Modulation
LSB	Least Significant Bit
LV-TTL	Low Voltage Transistor-Transistor Logic
OBA	One Bit Audio
OTP	One Time Programmable
PLL	Phase-Locked Loop
RGB	Red Green Blue
SACD	Super Audio CD
SVGA	Super Video Graphics Array
SXGA	Super eXtended Graphics Array
S/PDIF	Sony/Philips Digital Interface Format
TMDS	Transition Minimized Differential Signaling
UXGA	Ultra eXtended Graphics Array
VGA	Video Graphics Array
WUXGA	Wide Ultra eXtended Graphics Array
XGA	eXtended Graphics Array
YCbCr	Y = Luminance, Cb = Chroma blue, Cr = Chroma red

19. Revision history

Table 21. Revision history

Document ID	Release date	Data sheet status	Change notice	Supersedes
TDA19977A_TDA19977B_2	20100511	Product data sheet	-	TDA19977A_TDA19977B_1
Modifications:				
		<ul style="list-style-type: none"> • Section 1 “General description”: replaced 2.25 gigasamples per second by 2.05 gigasamples per second • Section 1 “General description”: updated the Deep Color mode in 12-bit • Section 2 “Features and benefits”: replaced 225 MHz by 205 MHz • Table 1 “Quick reference data”: updated • Section 8.5 “Activity detection”: replaced 225 MHz by 205 MHz • Table 10 “Characteristics”: updated • Table 17 “Example of supported video formats”: updated 		
TDA19977A_TDA19977B_1	20080807	Product data sheet	-	-

20. Legal information

20.1 Data sheet status

Document status ^{[1][2]}	Product status ^[3]	Definition
Objective [short] data sheet	Development	This document contains data from the objective specification for product development.
Preliminary [short] data sheet	Qualification	This document contains data from the preliminary specification.
Product [short] data sheet	Production	This document contains the product specification.

[1] Please consult the most recently issued document before initiating or completing a design.

[2] The term 'short data sheet' is explained in section "Definitions".

[3] The product status of device(s) described in this document may have changed since this document was published and may differ in case of multiple devices. The latest product status information is available on the Internet at URL <http://www.nxp.com>.

20.2 Definitions

Draft — The document is a draft version only. The content is still under internal review and subject to formal approval, which may result in modifications or additions. NXP Semiconductors does not give any representations or warranties as to the accuracy or completeness of information included herein and shall have no liability for the consequences of use of such information.

Short data sheet — A short data sheet is an extract from a full data sheet with the same product type number(s) and title. A short data sheet is intended for quick reference only and should not be relied upon to contain detailed and full information. For detailed and full information see the relevant full data sheet, which is available on request via the local NXP Semiconductors sales office. In case of any inconsistency or conflict with the short data sheet, the full data sheet shall prevail.

Product specification — The information and data provided in a Product data sheet shall define the specification of the product as agreed between NXP Semiconductors and its customer, unless NXP Semiconductors and customer have explicitly agreed otherwise in writing. In no event however, shall an agreement be valid in which the NXP Semiconductors product is deemed to offer functions and qualities beyond those described in the Product data sheet.

20.3 Disclaimers

Limited warranty and liability — Information in this document is believed to be accurate and reliable. However, NXP Semiconductors does not give any representations or warranties, expressed or implied, as to the accuracy or completeness of such information and shall have no liability for the consequences of use of such information.

In no event shall NXP Semiconductors be liable for any indirect, incidental, punitive, special or consequential damages (including - without limitation - lost profits, lost savings, business interruption, costs related to the removal or replacement of any products or rework charges) whether or not such damages are based on tort (including negligence), warranty, breach of contract or any other legal theory.

Notwithstanding any damages that customer might incur for any reason whatsoever, NXP Semiconductors' aggregate and cumulative liability towards customer for the products described herein shall be limited in accordance with the *Terms and conditions of commercial sale* of NXP Semiconductors.

Right to make changes — NXP Semiconductors reserves the right to make changes to information published in this document, including without limitation specifications and product descriptions, at any time and without notice. This document supersedes and replaces all information supplied prior to the publication hereof.

Suitability for use — NXP Semiconductors products are not designed, authorized or warranted to be suitable for use in life support, life-critical or safety-critical systems or equipment, nor in applications where failure or

malfunction of an NXP Semiconductors product can reasonably be expected to result in personal injury, death or severe property or environmental damage. NXP Semiconductors accepts no liability for inclusion and/or use of NXP Semiconductors products in such equipment or applications and therefore such inclusion and/or use is at the customer's own risk.

Applications — Applications that are described herein for any of these products are for illustrative purposes only. NXP Semiconductors makes no representation or warranty that such applications will be suitable for the specified use without further testing or modification.

Customers are responsible for the design and operation of their applications and products using NXP Semiconductors products, and NXP Semiconductors accepts no liability for any assistance with applications or customer product design. It is customer's sole responsibility to determine whether the NXP Semiconductors product is suitable and fit for the customer's applications and products planned, as well as for the planned application and use of customer's third party customer(s). Customers should provide appropriate design and operating safeguards to minimize the risks associated with their applications and products.

NXP Semiconductors does not accept any liability related to any default, damage, costs or problem which is based on any weakness or default in the customer's applications or products, or the application or use by customer's third party customer(s). Customer is responsible for doing all necessary testing for the customer's applications and products using NXP Semiconductors products in order to avoid a default of the applications and the products or of the application or use by customer's third party customer(s). NXP does not accept any liability in this respect.

Limiting values — Stress above one or more limiting values (as defined in the Absolute Maximum Ratings System of IEC 60134) will cause permanent damage to the device. Limiting values are stress ratings only and (proper) operation of the device at these or any other conditions above those given in the Recommended operating conditions section (if present) or the Characteristics sections of this document is not warranted. Constant or repeated exposure to limiting values will permanently and irreversibly affect the quality and reliability of the device.

Terms and conditions of commercial sale — NXP Semiconductors products are sold subject to the general terms and conditions of commercial sale, as published at <http://www.nxp.com/profile/terms>, unless otherwise agreed in a valid written individual agreement. In case an individual agreement is concluded only the terms and conditions of the respective agreement shall apply. NXP Semiconductors hereby expressly objects to applying the customer's general terms and conditions with regard to the purchase of NXP Semiconductors products by customer.

No offer to sell or license — Nothing in this document may be interpreted or construed as an offer to sell products that is open for acceptance or the grant, conveyance or implication of any license under any copyrights, patents or other industrial or intellectual property rights.

Export control — This document as well as the item(s) described herein may be subject to export control regulations. Export might require a prior authorization from national authorities.

Quick reference data — The Quick reference data is an extract of the product data given in the Limiting values and Characteristics sections of this document, and as such is not complete, exhaustive or legally binding.

Non-automotive qualified products — Unless this data sheet expressly states that this specific NXP Semiconductors product is automotive qualified, the product is not suitable for automotive use. It is neither qualified nor tested in accordance with automotive testing or application requirements. NXP Semiconductors accepts no liability for inclusion and/or use of non-automotive qualified products in automotive equipment or applications.

In the event that customer uses the product for design-in and use in automotive applications to automotive specifications and standards, customer (a) shall use the product without NXP Semiconductors' warranty of the product for such automotive applications, use and specifications, and (b) whenever customer uses the product for automotive applications beyond NXP Semiconductors' specifications such use shall be solely at customer's own risk, and (c) customer fully indemnifies NXP Semiconductors for any liability, damages or failed product claims resulting from customer design and use of the product for automotive applications beyond NXP Semiconductors' standard warranty and NXP Semiconductors' product specifications.

21. Contact information

For more information, please visit: <http://www.nxp.com>

For sales office addresses, please send an email to: salesaddresses@nxp.com

20.4 Licenses

Purchase of NXP ICs with HDMI technology

Use of an NXP IC with HDMI technology in equipment that complies with the HDMI standard requires a license from HDMI Licensing LLC, 1060 E. Arques Avenue Suite 100, Sunnyvale CA 94085, USA, e-mail: admin@hdmi.org.

20.5 Trademarks

Notice: All referenced brands, product names, service names and trademarks are the property of their respective owners.

I²C-bus — logo is a trademark of NXP B.V.

Notes

22. Tables

Table 1. Quick reference data	3	VP_CTRL address = 09h)	22
Table 2. Ordering information	4	Table 13. Output in 10-bit video port format (register	
Table 3. Pin description	6	VP_CTRL address = 61h)	23
Table 4. Audio port configuration (Layout 0)	13	Table 14. Output in 10-bit video port format (register	
Table 5. Audio port configuration (Layout 1)	13	VP_CTRL address = 58h)	24
Table 6. Audio port configuration for HBR and DST		Table 15. Output in 8-bit video port format (register	
packets	13	VP_CTRL address = A1h)	25
Table 7. I ² C-bus slave address	17	Table 16. Output in 8-bit video port format (register	
Table 8. Limiting values	17	VP_CTRL address = 98h)	26
Table 9. Thermal characteristics	18	Table 17. Example of supported video formats	27
Table 10. Characteristics	18	Table 18. SnPb eutectic process (from J-STD-020C)	32
Table 11. Output in 12-bit video port format (register		Table 19. Lead-free process (from J-STD-020C)	32
VP_CTRL address = 21h)	21	Table 20. Abbreviations	34
Table 12. Output in 12-bit video port format (register		Table 21. Revision history	35

23. Figures

Fig 1. Block diagram of TDA19977A; TDA19977B	5
Fig 2. Pin configuration for TDA19977A; TDA19977B	6
Fig 3. An example of an application with EDID	
memory shared over all three HDMI inputs	16
Fig 4. An example of an application with EDID	
memory shared over two HDMI inputs.	17
Fig 5. Output timing diagram pin VCLK on pins	
VP[29:0].	20
Fig 6. Output timing diagram pin ACLK on pins	
AP[5:0].	20
Fig 7. Application diagram of TDA19977A;	
TDA19977B	29
Fig 8. Package outline SOT612-3 (HLQFP144)	30
Fig 9. Temperature profiles for large and small	
components	33

24. Contents

1	General description	1	14	Example of supported video formats	27
2	Features and benefits	2	15	Application information	29
3	Applications	3	16	Package outline	30
4	Quick reference data	3	17	Soldering of SMD packages	31
5	Ordering information	4	17.1	Introduction to soldering	31
6	Block diagram	5	17.2	Wave and reflow soldering	31
7	Pinning information	6	17.3	Wave soldering	31
7.1	Pinning	6	17.4	Reflow soldering	32
7.2	Pin description	6	18	Abbreviations	34
8	Functional description	10	19	Revision history	35
8.1	Software drivers	10	20	Legal information	36
8.2	HDMI inputs	10	20.1	Data sheet status	36
8.3	Termination resistance control	10	20.2	Definitions	36
8.4	Equalizer	11	20.3	Disclaimers	36
8.5	Activity detection	11	20.4	Licenses	37
8.6	High-bandwidth digital content protection (TDA19977A only)	11	20.5	Trademarks	37
8.7	Color depth unpacking	11	21	Contact information	37
8.8	Derepeater	11	22	Tables	39
8.9	Upsample	11	23	Figures	39
8.10	Packet extraction	12	24	Contents	40
8.11	Audio PLL	12			
8.12	Audio formatter	12			
8.13	Sync timing measurement	14			
8.14	Format measurement timing	14			
8.15	Color space conversion	14			
8.16	4:2:2 downsampling filters	14			
8.17	Range control	14			
8.18	Dithering function	14			
8.19	4:2:2 formatter	15			
8.20	Video port selection	15			
8.21	Output buffers	15			
8.22	VHREF timing generator	15			
8.23	I ² C-bus serial interface	15			
8.24	Power management	16			
8.25	EDID memory management	16			
8.25.1	EDID memory shared over all three HDMI inputs	16			
8.25.2	EDID memory shared over two HDMI inputs	17			
9	I²C-bus protocol	17			
10	Limiting values	17			
11	Thermal characteristics	18			
12	Characteristics	18			
13	Output video port formats	21			

Please be aware that important notices concerning this document and the product(s) described herein, have been included in section 'Legal information'.

© NXP B.V. 2010. All rights reserved.

For more information, please visit: <http://www.nxp.com>
 For sales office addresses, please send an email to: salesaddresses@nxp.com

Date of release: 11 May 2010

Document identifier: TDA19977A_TDA19977B_2

Mouser Electronics

Authorized Distributor

Click to View Pricing, Inventory, Delivery & Lifecycle Information:

[NXP:](#)

[TDA19977BHV/15/C1'](#) [TDA19977BHV/15/C1,](#) [TDA19977BHV/15/C1:](#) [TDA19977AHV/15/C18](#)
[TDA19977AHV/C18/51](#) [TDA19977AHV/C18/57](#)