

DATA SHEET

TDA8763A

10-bit high-speed low-power ADC

Product specification
Supersedes data of 1997 Feb 07
File under Integrated Circuits, IC02

1999 Jan 06

10-bit high-speed low-power ADC**TDA8763A****FEATURES**

- 10-bit resolution
- Sampling rate up to 50 MHz
- DC sampling allowed
- One clock cycle conversion only
- High signal-to-noise ratio over a large analog input frequency range (9.4 effective bits at 4.43 MHz full-scale input at $f_{clk} = 40$ MHz)
- No missing codes guaranteed
- In-Range (IR) CMOS output
- Levels TTL and CMOS compatible digital inputs
- 3 to 5 V CMOS digital outputs
- Low-level AC clock input signal allowed
- External reference voltage regulator
- Power dissipation only 175 mW (typical)
- Low analog input capacitance, no buffer amplifier required
- No sample-and-hold circuit required.

APPLICATIONS

High-speed analog-to-digital conversion for:

- Video data digitizing
- Radar pulse analysis
- Transient signal analysis
- High energy physics research
- $\Sigma\Delta$ modulators
- Medical imaging.

GENERAL DESCRIPTION

The TDA8763A is a 10-bit high-speed low-power analog-to-digital converter (ADC) for professional video and other applications. It converts the analog input signal into 10-bit binary-coded digital words at a maximum sampling rate of 50 MHz. All digital inputs and outputs are TTL and CMOS compatible, although a low-level sine wave clock input signal is allowed.

The device requires an external source to drive its reference ladder. If the application requires that the reference is driven via internal sources the recommendation is to use the TDA8763.

ORDERING INFORMATION

TYPE NUMBER	PACKAGE			SAMPLING FREQUENCY (MHz)
	NAME	DESCRIPTION	VERSION	
TDA8763AM/3	SSOP28	plastic shrink small outline package; 28 leads; body width 5.3 mm	SOT341-1	30
TDA8763AM/4	SSOP28		SOT341-1	40
TDA8763AM/5	SSOP28		SOT341-1	50

10-bit high-speed low-power ADC

TDA8763A

QUICK REFERENCE DATA

SYMBOL	PARAMETER	CONDITIONS	MIN.	TYP.	MAX.	UNIT
V _{CCA}	analog supply voltage		4.75	5.0	5.25	V
V _{CCD}	digital supply voltage		4.75	5.0	5.25	V
V _{CCO}	output stages supply voltage		3.0	3.3	5.25	V
I _{CCA}	analog supply current		–	18	24	mA
I _{CCD}	digital supply current		–	16	21	mA
I _{CCO}	output stages supply current	f _{clk} = 40 MHz; ramp input	–	1	2	mA
INL	integral non-linearity	f _{clk} = 40 MHz; ramp input	–	±0.8	±2.0	LSB
DNL	differential non-linearity	f _{clk} = 40 MHz; ramp input	–	±0.5	±0.9	LSB
f _{clk(max)}	maximum clock frequency					
	TDA8763AM/3		30	–	–	MHz
	TDA8763AM/4		40	–	–	MHz
	TDA8763AM/5		50	–	–	MHz
P _{tot}	total power dissipation	f _{clk} = 40 MHz; ramp input	–	175	247	mW

10-bit high-speed low-power ADC

TDA8763A

BLOCK DIAGRAM

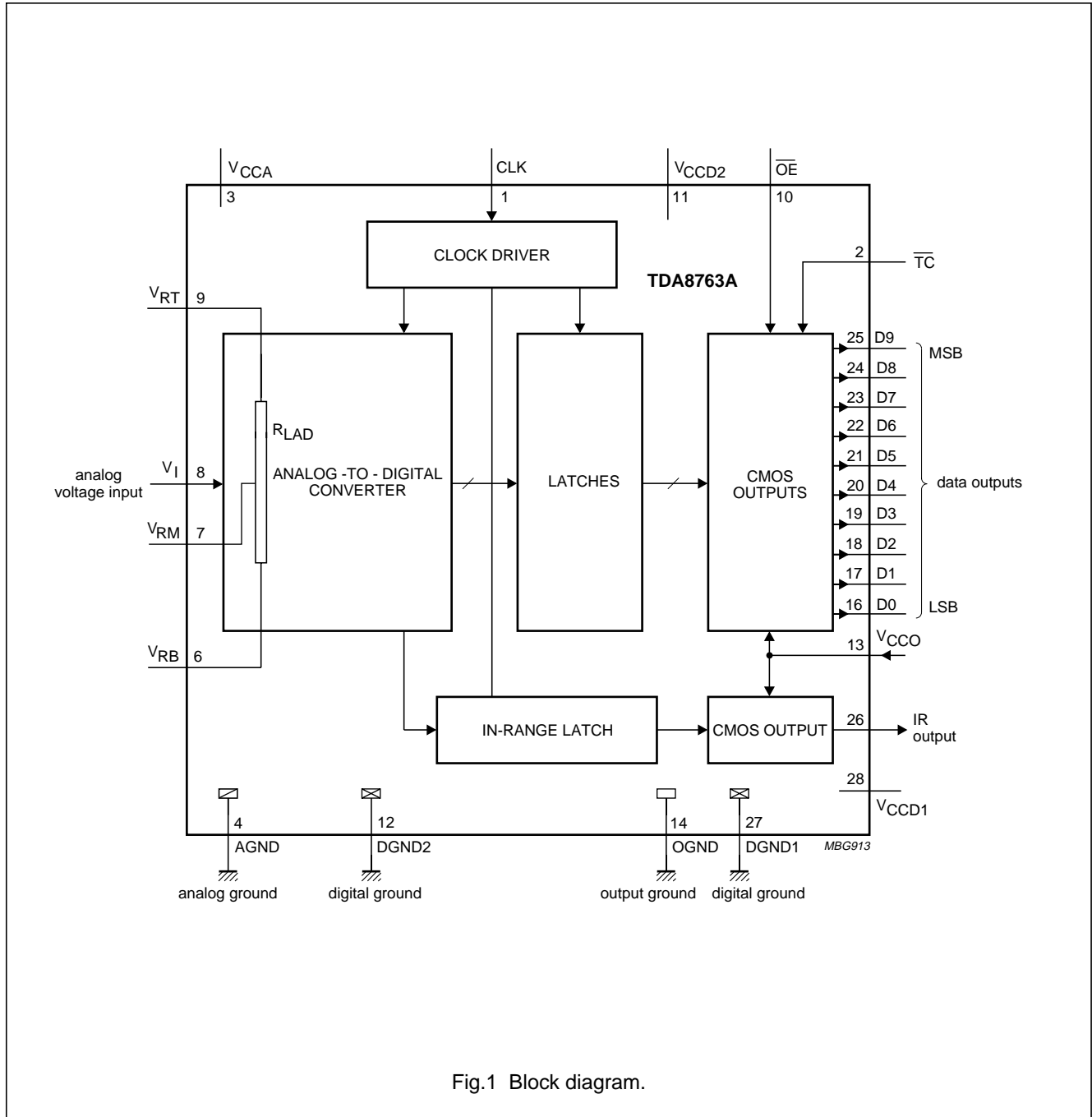


Fig.1 Block diagram.

10-bit high-speed low-power ADC

TDA8763A

PINNING

SYMBOL	PIN	DESCRIPTION
CLK	1	clock input
\overline{TC}	2	twos complement input (active LOW)
V _{CCA}	3	analog supply voltage (+5 V)
AGND	4	analog ground
n.c.	5	not connected
V _{RB}	6	reference voltage BOTTOM input
V _{RM}	7	reference voltage MIDDLE input
V _I	8	analog input voltage
V _{RT}	9	reference voltage TOP input
\overline{OE}	10	output enable input (CMOS level input, active LOW)
V _{CCD2}	11	digital supply voltage 2 (+5 V)
DGND2	12	digital ground 2
V _{CCO}	13	supply voltage for output stages (3 to 5 V)
OGND	14	output ground
n.c.	15	not connected
D0	16	data output; bit 0 (LSB)
D1	17	data output; bit 1
D2	18	data output; bit 2
D3	19	data output; bit 3
D4	20	data output; bit 4
D5	21	data output; bit 5
D6	22	data output; bit 6
D7	23	data output; bit 7
D8	24	data output; bit 8
D9	25	data output; bit 9 (MSB)
IR	26	in range data output
DGND1	27	digital ground 1
V _{CCD1}	28	digital supply voltage 1 (+5 V)

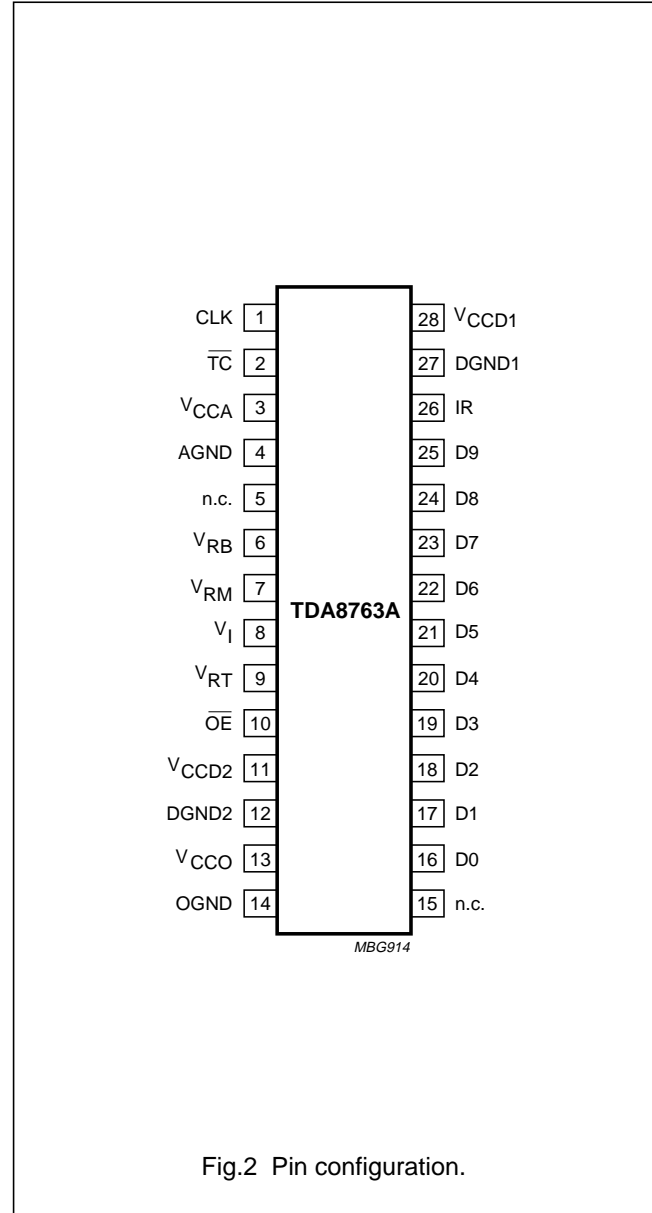


Fig.2 Pin configuration.

10-bit high-speed low-power ADC

TDA8763A

LIMITING VALUES

In accordance with the Absolute Maximum Rating System (IEC 134).

SYMBOL	PARAMETER	CONDITIONS	MIN.	MAX.	UNIT
V_{CCA}	analog supply voltage	note 1	-0.3	+7.0	V
V_{CCD}	digital supply voltage	note 1	-0.3	+7.0	V
V_{CCO}	output stages supply voltage	note 1	-0.3	+7.0	V
ΔV_{CC}	supply voltage difference				
	$V_{CCA} - V_{CCD}$		-1.0	+1.0	V
	$V_{CCA} - V_{CCO}$		-1.0	+4.0	V
	$V_{CCD} - V_{CCO}$		-1.0	+4.0	V
V_I	input voltage	referenced to AGND	-0.3	+7.0	V
$V_{i(sw)(p-p)}$	AC input voltage for switching (peak-to-peak value)	referenced to DGND	-	V_{CCD}	V
I_O	output current		-	10	mA
T_{stg}	storage temperature		-55	+150	°C
T_{amb}	operating ambient temperature		-40	+85	°C
T_j	junction temperature		-	150	°C

Note

- The supply voltages V_{CCA} , V_{CCD} and V_{CCO} may have any value between -0.3 V and +7.0 V provided that the supply voltage differences ΔV_{CC} are respected.

HANDLING

Inputs and outputs are protected against electrostatic discharges in normal handling. However, to be totally safe, it is desirable to take normal precautions appropriate to handling integrated circuits.

THERMAL CHARACTERISTICS

SYMBOL	PARAMETER	CONDITIONS	VALUE	UNIT
$R_{th(j-a)}$	thermal resistance from junction to ambient	in free air	110	K/W

10-bit high-speed low-power ADC

TDA8763A

CHARACTERISTICS

$V_{CCA} = V_3$ to $V_4 = 4.75$ to 5.25 V; $V_{CCD} = V_{11}$ to V_{12} and V_{28} to $V_{27} = 4.75$ to 5.25 V; $V_{CCO} = V_{13}$ to $V_{14} = 3.0$ to 5.25 V; AGND and DGND shorted together; $T_{amb} = 0$ to $+70$ °C; typical values measured at $V_{CCA} = V_{CCD} = 5$ V and $V_{CCO} = 3.3$ V; $V_{i(p-p)} = 2.0$ V; $C_L = 15$ pF and $T_{amb} = 25$ °C; unless otherwise specified.

SYMBOL	PARAMETER	CONDITIONS	MIN.	TYP.	MAX.	UNIT
Supply						
V_{CCA}	analog supply voltage		4.75	5.0	5.25	V
V_{CCD1}	digital supply voltage 1		4.75	5.0	5.25	V
V_{CCD2}	digital supply voltage 2		4.75	5.0	5.25	V
V_{CCO}	output stages supply voltage		3.0	3.3	5.25	V
ΔV_{CC}	supply voltage difference					
	$V_{CCA} - V_{CCD}$		-0.20	-	+0.20	V
	$V_{CCA} - V_{CCO}$		-0.20	-	+2.25	V
	$V_{CCD} - V_{CCO}$		-0.20	-	+2.25	V
I_{CCA}	analog supply current		-	18	24	mA
I_{CCD}	digital supply current		-	16	21	mA
I_{CCO}	output stages supply current	$f_{clk} = 40$ MHz; ramp input	-	1	2	mA
Inputs						
CLOCK INPUT CLK (REFERENCED TO DGND); note 1						
V_{IL}	LOW-level input voltage		0	-	0.8	V
V_{IH}	HIGH-level input voltage		2.0	-	V_{CCD}	V
I_{IL}	LOW-level input current	$V_{clk} = 0.8$ V	-1	0	+1	μ A
I_{IH}	HIGH-level input current	$V_{clk} = 2.0$ V	-	2	10	μ A
Z_i	input impedance	$f_{clk} = 40$ MHz	-	2	-	k Ω
C_i	input capacitance		-	2	-	pF
INPUTS \overline{OE} AND \overline{TC} (REFERENCED TO DGND); see Table 2						
V_{IL}	LOW-level input voltage		0	-	0.8	V
V_{IH}	HIGH-level input voltage		2.0	-	V_{CCD}	V
I_{IL}	LOW-level input current	$V_{IL} = 0.8$ V	-1	-	-	μ A
I_{IH}	HIGH-level input current	$V_{IH} = 2.0$ V	-	-	1	μ A
V_i (ANALOG INPUT VOLTAGE REFERENCED TO AGND)						
I_{IL}	LOW-level input current	$V_i = V_{RB} = 1.3$ V	-	0	-	μ A
I_{IH}	HIGH-level input current	$V_i = V_{RT} = 3.67$ V	-	35	-	μ A
Z_i	input impedance	$f_i = 4.43$ MHz	-	8	-	k Ω
C_i	input capacitance		-	5	-	pF
Reference voltages for the resistor ladder see Table 1						
V_{RB}	reference voltage BOTTOM		1.2	1.3	2.45	V
V_{RT}	reference voltage TOP		3.2	3.67	$V_{CCA} - 0.8$	V
V_{diff}	differential reference voltage $V_{RT} - V_{RB}$		2.0	2.37	3.0	V
I_{ref}	reference current	$V_{RT} - V_{RB} = 2.37$ V	-	9.7	-	mA

10-bit high-speed low-power ADC

TDA8763A

SYMBOL	PARAMETER	CONDITIONS	MIN.	TYP.	MAX.	UNIT
R_{lad}	resistor ladder		–	245	–	Ω
TC_{Rlad}	temperature coefficient of the resistor ladder		–	1860	–	ppm
			–	456	–	m Ω /K
$V_{offset(B)}$	offset voltage BOTTOM	$V_{RT} - V_{RB} = 2.37$ V; note 2	–	175	–	mV
$V_{offset(T)}$	offset voltage TOP	$V_{RT} - V_{RB} = 2.37$ V; note 2	–	175	–	mV
$V_{i(p-p)}$	analog input voltage (peak-to-peak value)	note 3	1.70	2.02	2.55	V
Outputs						
DIGITAL OUTPUTS D9 TO D0 AND IR (REFERENCED TO OGND)						
V_{OL}	LOW-level output voltage	$I_{OL} = 1$ mA	0	–	0.5	V
V_{OH}	HIGH-level output voltage	$I_{OH} = -1$ mA	$V_{CCO} - 0.5$	–	V_{CCO}	V
I_{OZ}	output current in 3-state mode	0.5 V < V_o < V_{CCO}	–20	–	+20	μ A
Switching characteristics						
CLOCK INPUT CLK; see Fig.4; note 1						
$f_{clk(max)}$	maximum clock frequency					
	TDA8763AM/3		30	–	–	MHz
	TDA8763AM/4		40	–	–	MHz
	TDA8763AM/5		50	–	–	MHz
t_{CPH}	clock pulse width HIGH	full effective bandwidth	8.5	–	–	ns
t_{CPL}	clock pulse width LOW	full effective bandwidth	5.5	–	–	ns
Analog signal processing						
LINEARITY						
INL	integral non-linearity	$f_{clk} = 40$ MHz; ramp input	–	± 0.8	± 2.0	LSB
DNL	differential non-linearity	$f_{clk} = 40$ MHz; ramp input	–	± 0.5	± 0.9	LSB
E_{offset}	offset error	middle code; $V_{RB} = 1.3$ V; $V_{RT} = 3.67$ V	–	± 1	–	LSB
E_G	gain error (from device to device) using external reference voltage	$V_{RB} = 1.3$ V; $V_{RT} = 3.67$ V; note 4	–	± 0.1	–	%

10-bit high-speed low-power ADC

TDA8763A

SYMBOL	PARAMETER	CONDITIONS	MIN.	TYP.	MAX.	UNIT
BANDWIDTH ($f_{\text{clk}} = 40 \text{ MHz}$)						
B	analog bandwidth	full-scale sine wave; note 5	–	15	–	MHz
		75% full-scale sine wave; note 5	–	20	–	MHz
		small signal at mid-scale; $V_1 = \pm 10 \text{ LSB}$ at code 512; note 5	–	350	–	MHz
t_{stLH}	analog input settling time LOW-to-HIGH	full-scale square wave; see Fig.6; note 6	–	1.5	3.0	ns
t_{stHL}	analog input settling time HIGH-to-LOW	full-scale square wave; see Fig.6; note 6	–	1.5	3.0	ns
HARMONICS ($f_{\text{clk}} = 40 \text{ MHz}$); see Figs 7 and 8						
$H_{\text{fund(FS)}}$	fundamental harmonics (full-scale)	$f_i = 4.43 \text{ MHz}$	–	–	0	dB
$H_{\text{all(FS)}}$	harmonics (full-scale); all components second harmonics third harmonics	$f_i = 4.43 \text{ MHz}$	–	–	–	–
			–	–75	–65	dB
			–	–72	–65	dB
THD	total harmonic distortion	$f_i = 4.43 \text{ MHz}$	–	–64	–	dB
SIGNAL-TO-NOISE RATIO; see Figs 7 and 8; note 7						
SNR_{FS}	signal-to-noise ratio (full-scale)	without harmonics; $f_{\text{clk}} = 40 \text{ MHz}$; $f_i = 4.43 \text{ MHz}$	55	58	–	dB
EFFECTIVE BITS; see Figs 7 and 8; note 7						
EB	effective bits	TDA8763AM/3; $f_{\text{clk}} = 30 \text{ MHz}$	–	–	–	–
		$f_i = 4.43 \text{ MHz}$	–	9.4	–	bits
		$f_i = 7.5 \text{ MHz}$	–	9.1	–	bits
		TDA8763AM/4; $f_{\text{clk}} = 40 \text{ MHz}$	–	–	–	–
		$f_i = 4.43 \text{ MHz}$	–	9.4	–	bits
		$f_i = 7.5 \text{ MHz}$	–	9.0	–	bits
		$f_i = 10 \text{ MHz}$	–	8.9	–	bits
		$f_i = 15 \text{ MHz}$	–	8.1	–	bits
		TDA8763AM/5; $f_{\text{clk}} = 50 \text{ MHz}$	–	–	–	–
		$f_i = 4.43 \text{ MHz}$	–	9.3	–	bits
		$f_i = 7.5 \text{ MHz}$	–	8.9	–	bits
		$f_i = 10 \text{ MHz}$	–	8.8	–	bits
$f_i = 15 \text{ MHz}$	–	8.0	–	bits		

10-bit high-speed low-power ADC

TDA8763A

SYMBOL	PARAMETER	CONDITIONS	MIN.	TYP.	MAX.	UNIT
TWO-TONE; note 8						
TTIR	two-tone intermodulation rejection	$f_{\text{clk}} = 40 \text{ MHz}$	–	–69	–	dB
BIT ERROR RATE						
BER	bit error rate	$f_{\text{clk}} = 50 \text{ MHz};$ $f_i = 4.43 \text{ MHz};$ $V_I = \pm 16 \text{ LSB at code 512}$	–	10^{-13}	–	times/sample
DIFFERENTIAL GAIN; note 9						
G_{diff}	differential gain	$f_{\text{clk}} = 40 \text{ MHz};$ PAL modulated ramp	–	0.8	–	%
DIFFERENTIAL PHASE; note 9						
φ_{diff}	differential phase	$f_{\text{clk}} = 40 \text{ MHz};$ PAL modulated ramp	–	0.4	–	deg
Timing ($f_{\text{clk}} = 40 \text{ MHz}; C_L = 15 \text{ pF}$); see Fig.4; note 10						
t_{ds}	sampling delay time		–	3	–	ns
t_{h}	output hold time		4	–	–	ns
t_{d}	output delay time	$V_{\text{CCO}} = 4.75 \text{ V}$	–	10	13	ns
		$V_{\text{CCO}} = 3.15 \text{ V}$	–	12	15	ns
C_L	digital output load capacitance		–	–	15	pF
3-state output delay times; see Fig.5						
t_{dZH}	enable HIGH		–	5.5	8.5	ns
t_{dZL}	enable LOW		–	12	15	ns
t_{dHZ}	disable HIGH		–	19	24	ns
t_{dLZ}	disable LOW		–	12	15	ns

Notes

- In addition to a good layout of the digital and analog ground, it is recommended that the rise and fall times of the clock must not be less than 0.5 ns.
- Analog input voltages producing code 0 up to and including code 1023:
 - $V_{\text{offset(B)}}$ (voltage offset BOTTOM) is the difference between the analog input which produces data equal to 00 and the reference voltage BOTTOM (V_{RB}) at $T_{\text{amb}} = 25 \text{ }^\circ\text{C}$.
 - $V_{\text{offset(T)}}$ (voltage offset TOP) is the difference between reference voltage TOP (V_{RT}) and the analog input which produces data outputs equal to code 1023 at $T_{\text{amb}} = 25 \text{ }^\circ\text{C}$.

10-bit high-speed low-power ADC

TDA8763A

3. In order to ensure the optimum linearity performance of such converter architecture the lower and upper extremities of the converter reference resistor ladder (corresponding to output codes 0 and 1023 respectively) are connected to pins V_{RB} and V_{RT} via offset resistors R_{OB} and R_{OT} as shown in Fig.3.

a) The current flowing into the resistor ladder is $I_L = \frac{V_{RT} - V_{RB}}{R_{OB} + R_L + R_{OT}}$ and the full-scale input range at the converter,

$$\text{to cover code 0 to code 1023, is } V_I = R_L \times I_L = \frac{R_L}{R_{OB} + R_L + R_{OT}} \times (V_{RT} - V_{RB}) = 0.852 \times (V_{RT} - V_{RB})$$

b) Since R_L , R_{OB} and R_{OT} have similar behaviour with respect to process and temperature variation, the ratio $\frac{R_L}{R_{OB} + R_L + R_{OT}}$ will be kept reasonably constant from device to device. Consequently variation of the output codes at a given input voltage depends mainly on the difference $V_{RT} - V_{RB}$ and its variation with temperature and supply voltage. When several ADCs are connected in parallel and fed with the same reference source, the matching between each of them is then optimized.

4.
$$E_G = \frac{(V_{1023} - V_0) - V_{i(p-p)}}{V_{i(p-p)}} \times 100$$

- 5. The analog bandwidth is defined as the maximum input sine wave frequency which can be applied to the device. No glitches greater than 2 LSBs, neither any significant attenuation are observed in the reconstructed signal.
- 6. The analog input settling time is the minimum time required for the input signal to be stabilized after a sharp full-scale input (square wave signal) in order to sample the signal and obtain correct output data.
- 7. Effective bits are obtained via a Fast Fourier Transform (FFT) treatment taking 8K acquisition points per equivalent fundamental period. The calculation takes into account all harmonics and noise up to half of the clock frequency (NYQUIST frequency). Conversion to signal-to-noise ratio: $SINAD = ENOB \times 6.02 + 1.76$ dB.
- 8. Intermodulation measured relative to either tone with analog input frequencies of 4.43 MHz and 4.53 MHz. The two input signals have the same amplitude and the total amplitude of both signals provides full-scale to the converter.
- 9. Measurement carried out using video analyser VM700A, where the video analog signal is reconstructed through a digital-to-analog converter.
- 10. Output data acquisition: the output data is available after the maximum delay time of $t_{d(max)}$. For 50 MHz version it is recommended to have the lowest possible output load.

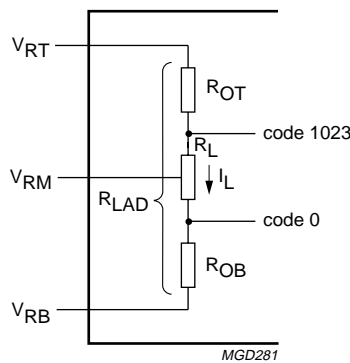


Fig.3 Explanation of note 3.

10-bit high-speed low-power ADC

TDA8763A

Table 1 Output coding and input voltage (typical values; referenced to AGND, $V_{RB} = 1.3\text{ V}$, $V_{RT} = 3.67\text{ V}$)

STEP	$V_{i(p-p)}$	IR	BINARY OUTPUT BITS										TWO'S COMPLEMENT OUTPUT BITS									
			D9	D8	D7	D6	D5	D4	D3	D2	D1	D0	D9	D8	D7	D6	D5	D4	D3	D2	D1	D0
U/F	<1.475	0	0	0	0	0	0	0	0	0	0	0	0	0	0	0	0	0	0	0	0	
0	1.475	1	0	0	0	0	0	0	0	0	0	0	0	0	0	0	0	0	0	0	0	
1	.	1	0	0	0	0	0	0	0	0	0	1	1	0	0	0	0	0	0	0	1	
.	
.	
1022	.	1	1	1	1	1	1	1	1	1	1	0	0	1	1	1	1	1	1	1	0	
1023	3.495	1	1	1	1	1	1	1	1	1	1	1	0	1	1	1	1	1	1	1	1	
O/F	>3.495	0	1	1	1	1	1	1	1	1	1	1	0	1	1	1	1	1	1	1	1	

Table 2 Mode selection

\overline{TC}	\overline{OE}	D9 to D0	IR
X	1	high impedance	high impedance
0	0	active; twos complement	active
1	0	active; binary	active

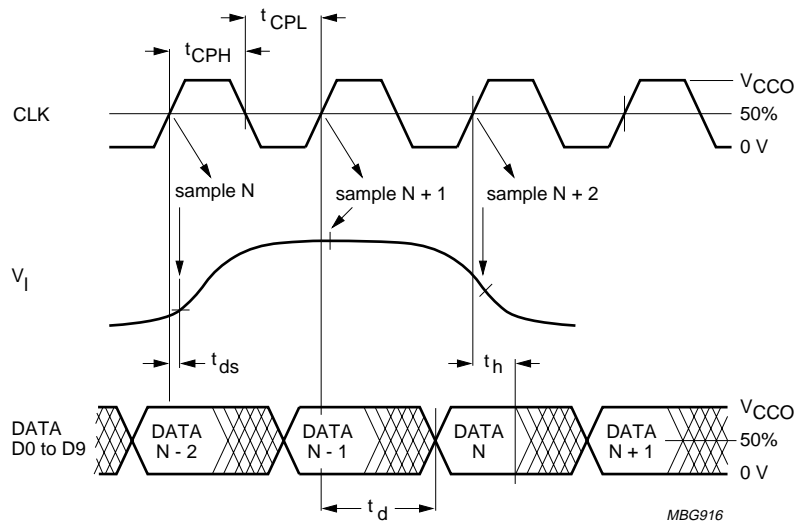


Fig.4 Timing diagram.

10-bit high-speed low-power ADC

TDA8763A

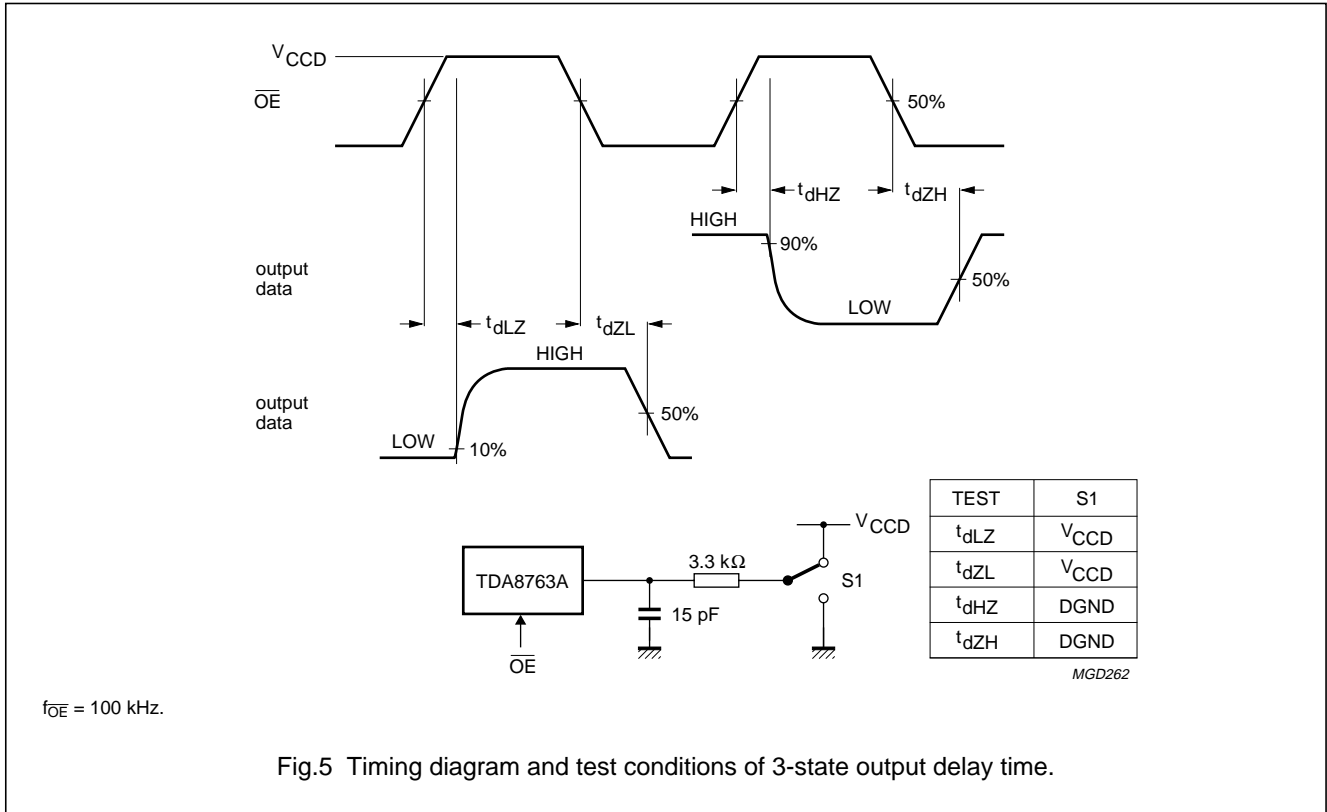


Fig.5 Timing diagram and test conditions of 3-state output delay time.

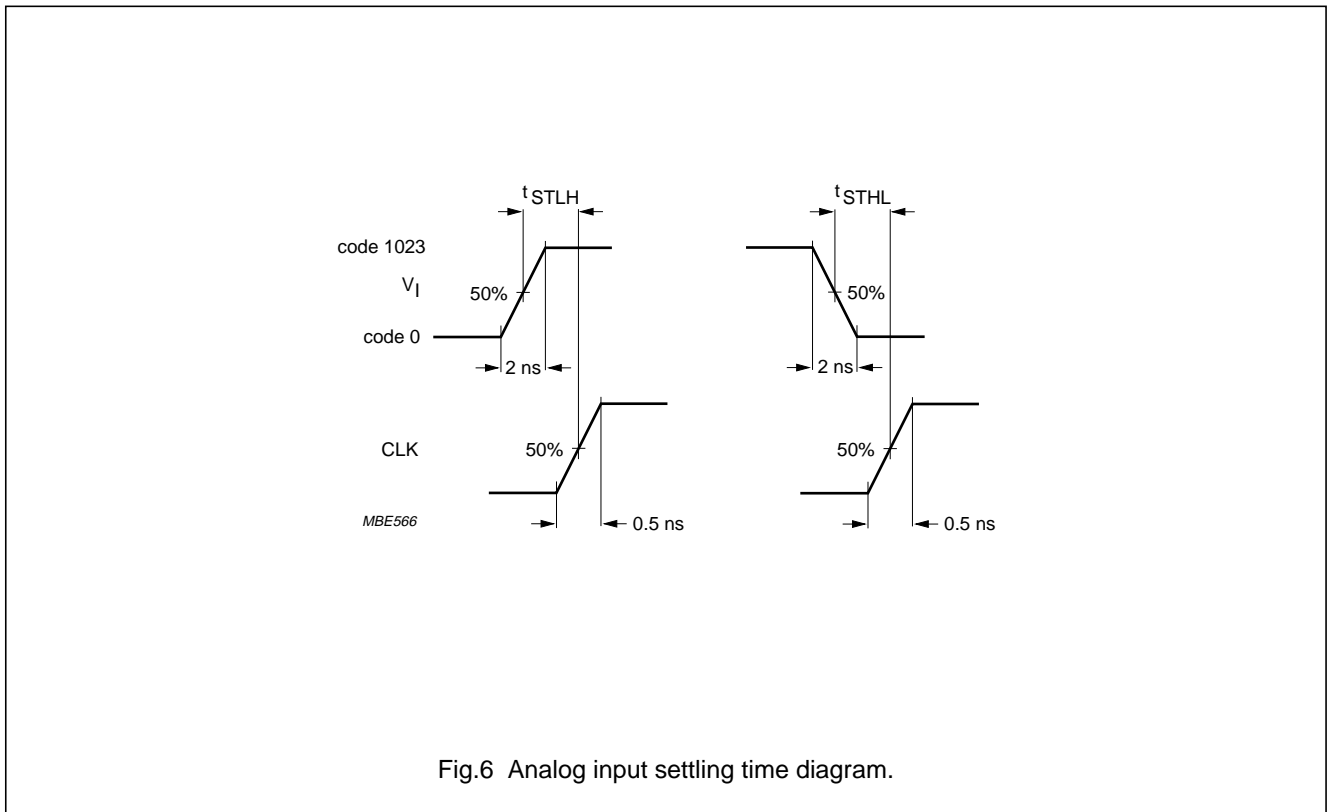
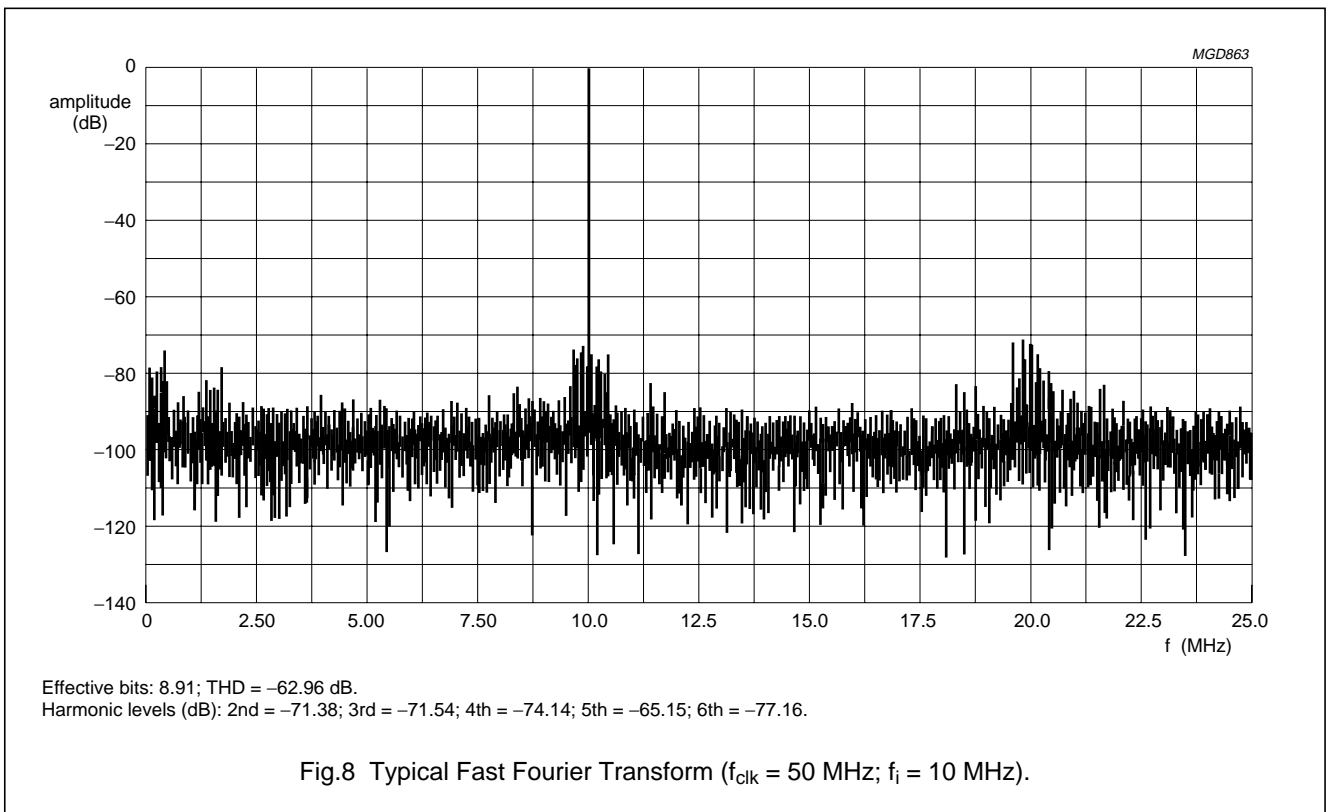
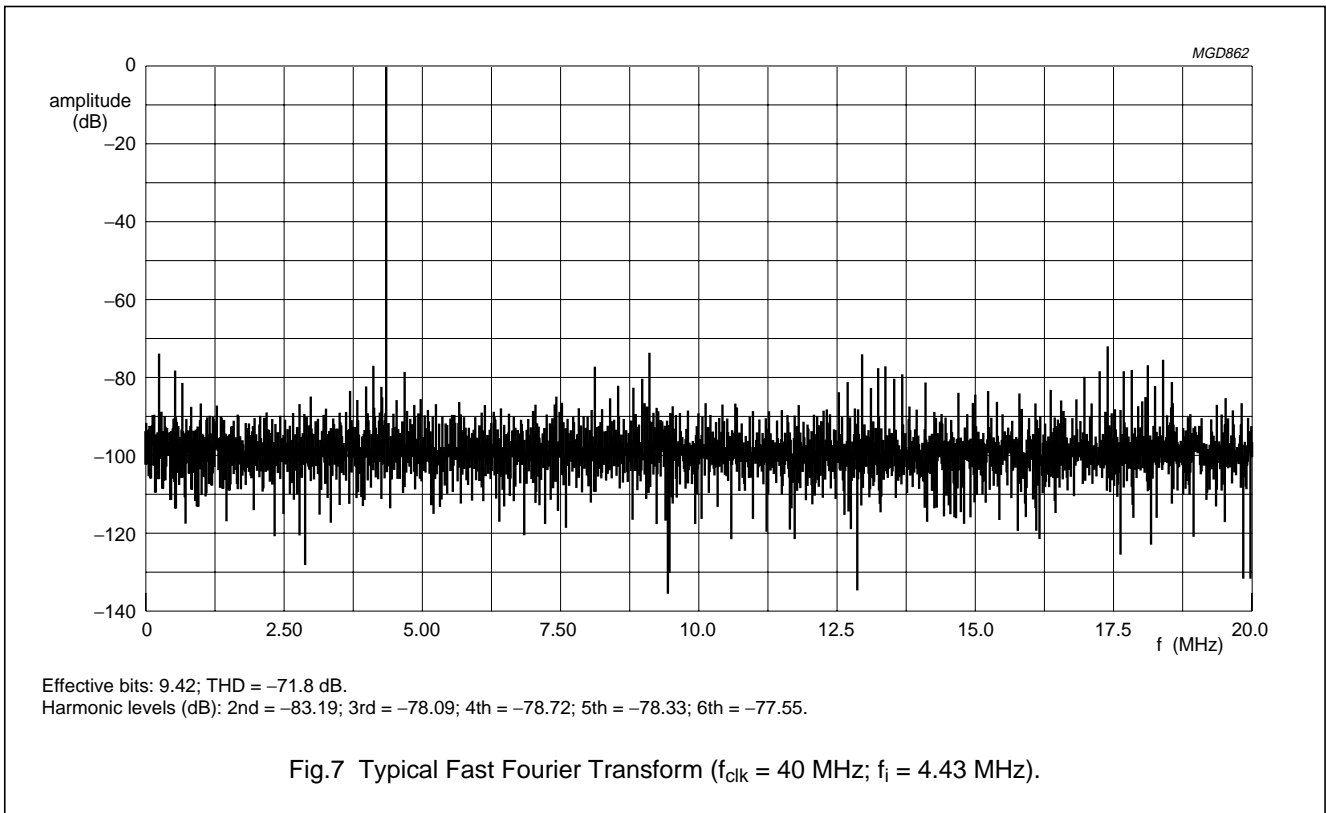


Fig.6 Analog input settling time diagram.

10-bit high-speed low-power ADC

TDA8763A



10-bit high-speed low-power ADC

TDA8763A

INTERNAL PIN CONFIGURATIONS

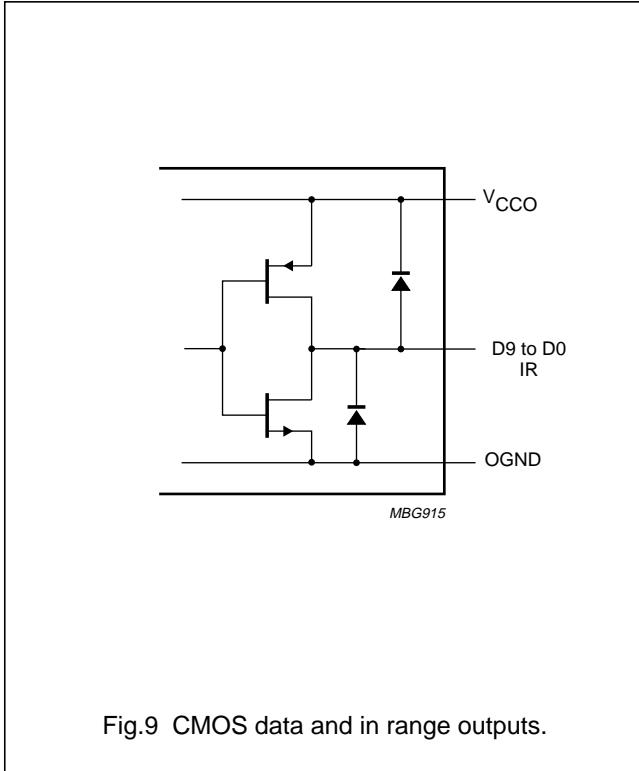


Fig.9 CMOS data and in range outputs.

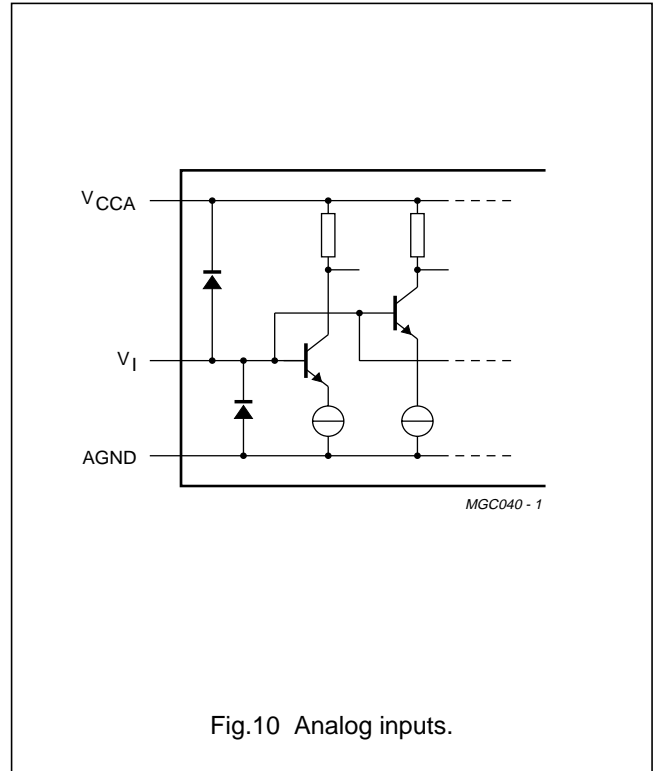


Fig.10 Analog inputs.

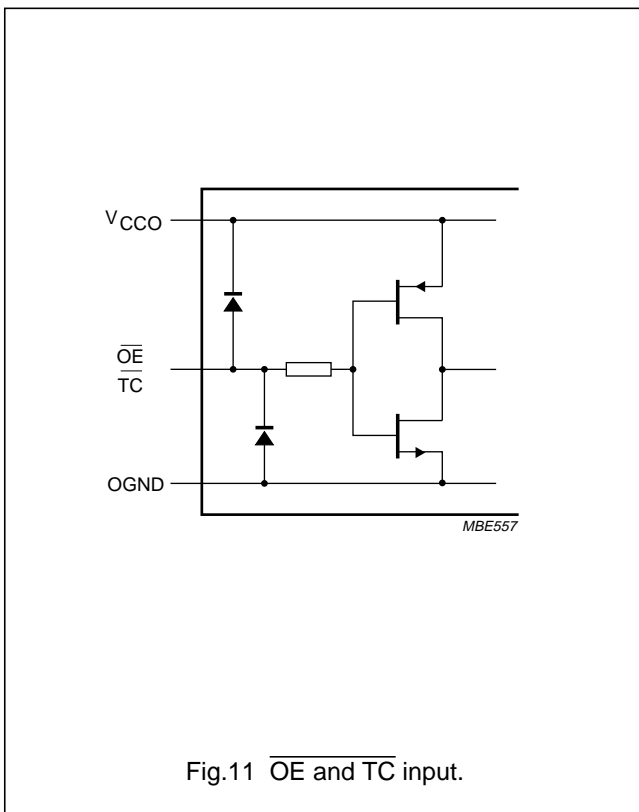


Fig.11 \overline{OE} and \overline{TC} input.

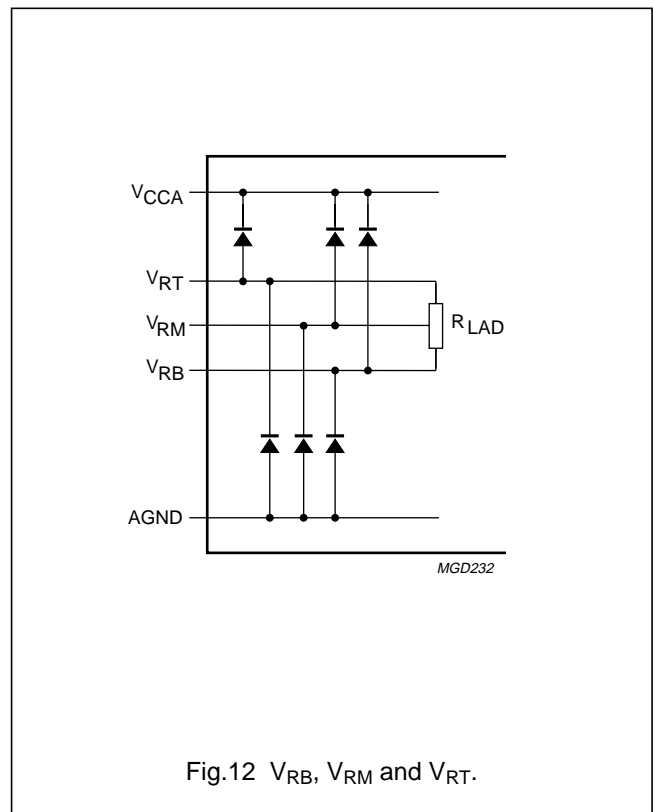


Fig.12 V_{RB} , V_{RM} and V_{RT} .

10-bit high-speed low-power ADC

TDA8763A

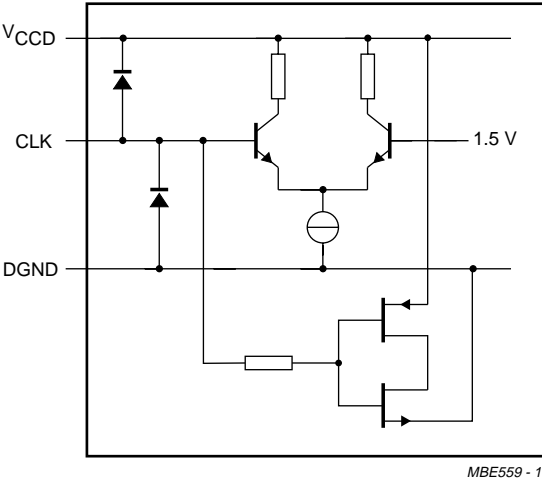
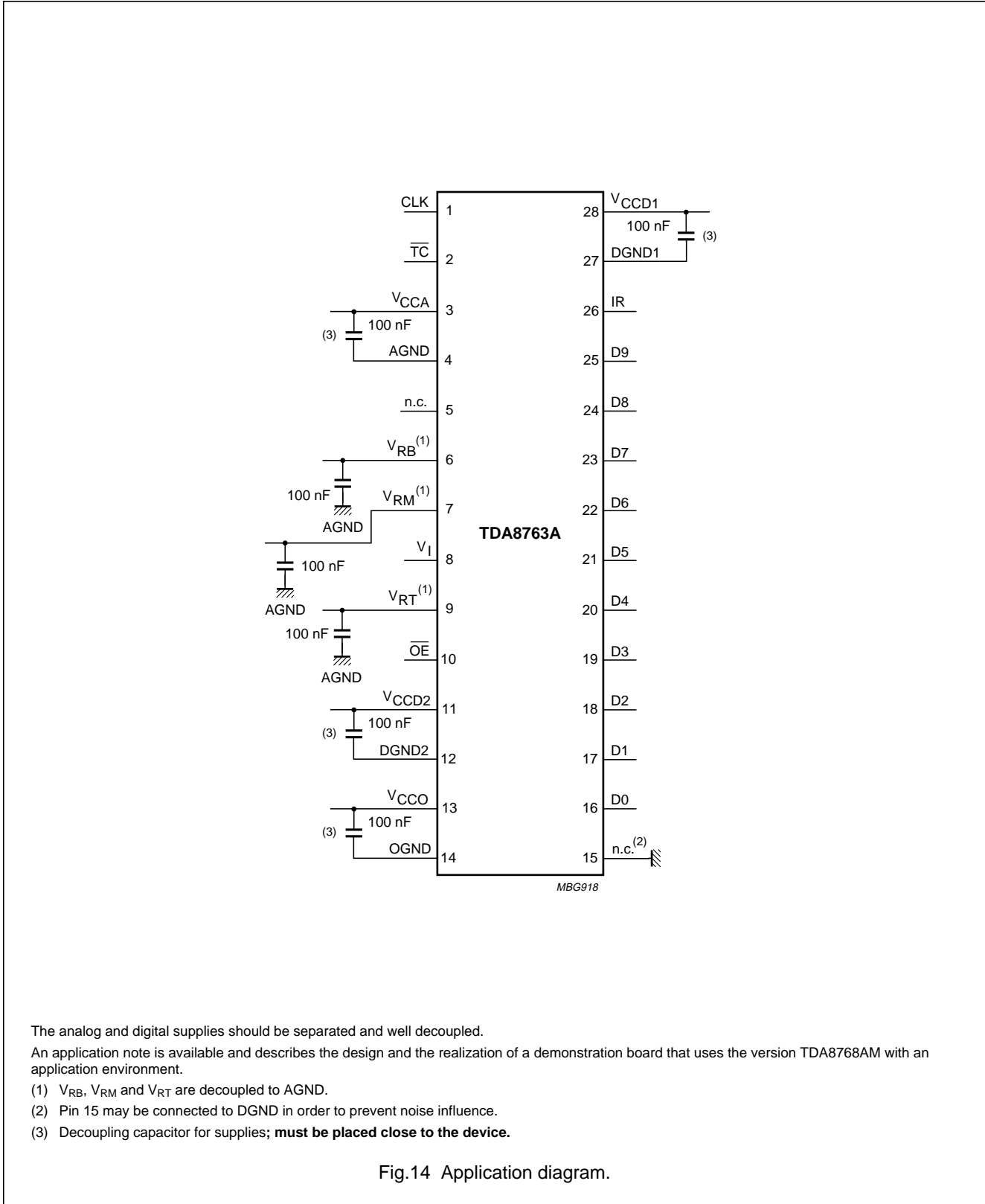


Fig.13 CLK input.

10-bit high-speed low-power ADC

TDA8763A

APPLICATION INFORMATION



The analog and digital supplies should be separated and well decoupled.

An application note is available and describes the design and the realization of a demonstration board that uses the version TDA8768AM with an application environment.

- (1) V_{RB} , V_{RM} and V_{RT} are decoupled to AGND.
- (2) Pin 15 may be connected to DGND in order to prevent noise influence.
- (3) Decoupling capacitor for supplies; **must be placed close to the device.**

Fig.14 Application diagram.

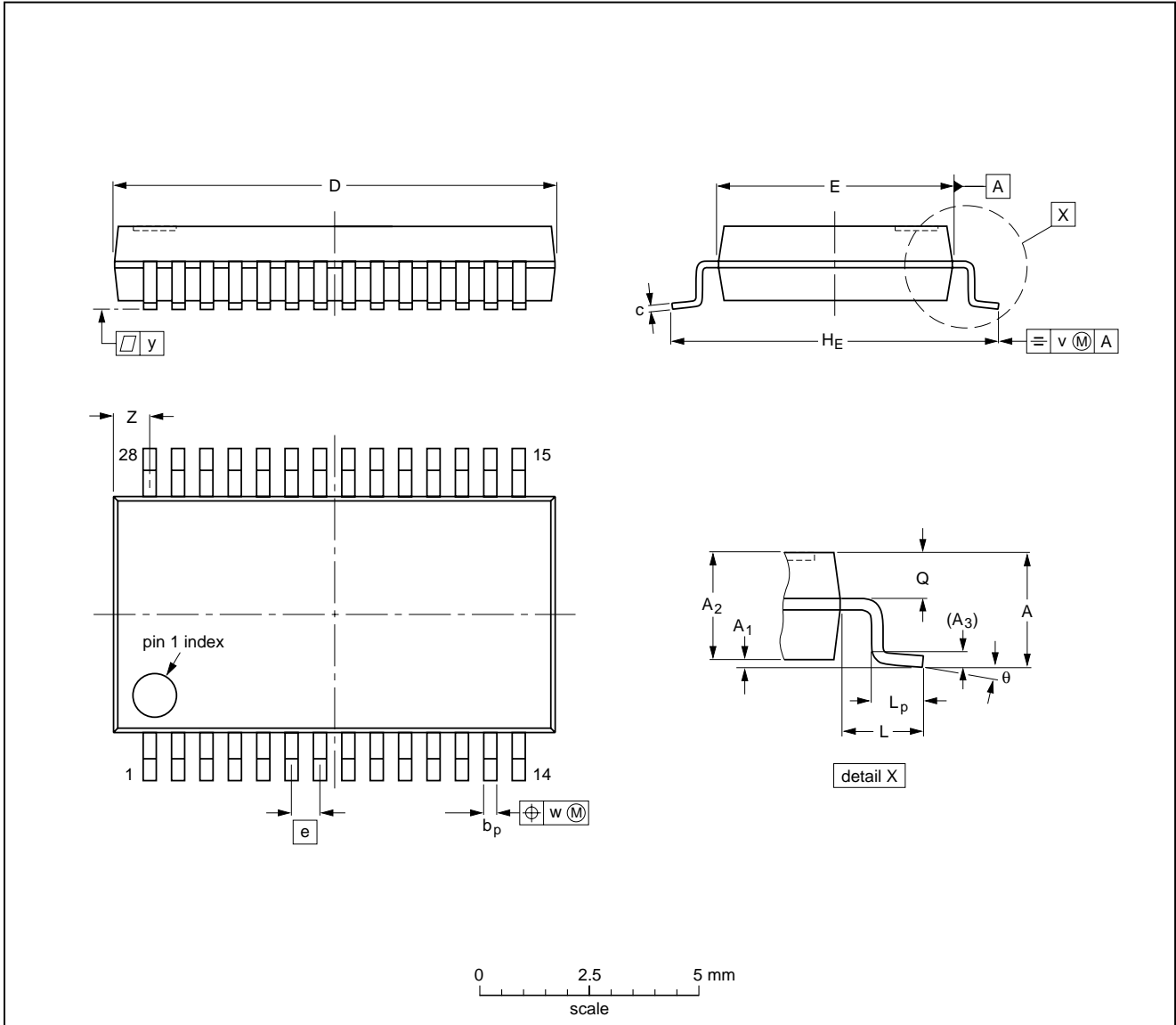
10-bit high-speed low-power ADC

TDA8763A

PACKAGE OUTLINE

SSOP28: plastic shrink small outline package; 28 leads; body width 5.3 mm

SOT341-1



DIMENSIONS (mm are the original dimensions)

UNIT	A max.	A ₁	A ₂	A ₃	b _p	c	D ⁽¹⁾	E ⁽¹⁾	e	H _E	L	L _p	Q	v	w	y	Z ⁽¹⁾	θ
mm	2.0	0.21 0.05	1.80 1.65	0.25	0.38 0.25	0.20 0.09	10.4 10.0	5.4 5.2	0.65	7.9 7.6	1.25	1.03 0.63	0.9 0.7	0.2	0.13	0.1	1.1 0.7	8° 0°

Note

1. Plastic or metal protrusions of 0.20 mm maximum per side are not included.

OUTLINE VERSION	REFERENCES				EUROPEAN PROJECTION	ISSUE DATE
	IEC	JEDEC	EIAJ			
SOT341-1		MO-150AH				93-09-08 95-02-04

10-bit high-speed low-power ADC

TDA8763A

SOLDERING

Introduction to soldering surface mount packages

This text gives a very brief insight to a complex technology. A more in-depth account of soldering ICs can be found in our *"Data Handbook IC26; Integrated Circuit Packages"* (document order number 9398 652 90011).

There is no soldering method that is ideal for all surface mount IC packages. Wave soldering is not always suitable for surface mount ICs, or for printed-circuit boards with high population densities. In these situations reflow soldering is often used.

Reflow soldering

Reflow soldering requires solder paste (a suspension of fine solder particles, flux and binding agent) to be applied to the printed-circuit board by screen printing, stencilling or pressure-syringe dispensing before package placement.

Several methods exist for reflowing; for example, infrared/convection heating in a conveyor type oven. Throughput times (preheating, soldering and cooling) vary between 100 and 200 seconds depending on heating method.

Typical reflow peak temperatures range from 215 to 250 °C. The top-surface temperature of the packages should preferably be kept below 230 °C.

Wave soldering

Conventional single wave soldering is not recommended for surface mount devices (SMDs) or printed-circuit boards with a high component density, as solder bridging and non-wetting can present major problems.

To overcome these problems the double-wave soldering method was specifically developed.

If wave soldering is used the following conditions must be observed for optimal results:

- Use a double-wave soldering method comprising a turbulent wave with high upward pressure followed by a smooth laminar wave.
- For packages with leads on two sides and a pitch (e):
 - larger than or equal to 1.27 mm, the footprint longitudinal axis is **preferred** to be parallel to the transport direction of the printed-circuit board;
 - smaller than 1.27 mm, the footprint longitudinal axis **must** be parallel to the transport direction of the printed-circuit board.

The footprint must incorporate solder thieves at the downstream end.

- For packages with leads on four sides, the footprint must be placed at a 45° angle to the transport direction of the printed-circuit board. The footprint must incorporate solder thieves downstream and at the side corners.

During placement and before soldering, the package must be fixed with a droplet of adhesive. The adhesive can be applied by screen printing, pin transfer or syringe dispensing. The package can be soldered after the adhesive is cured.

Typical dwell time is 4 seconds at 250 °C.

A mildly-activated flux will eliminate the need for removal of corrosive residues in most applications.

Manual soldering

Fix the component by first soldering two diagonally-opposite end leads. Use a low voltage (24 V or less) soldering iron applied to the flat part of the lead. Contact time must be limited to 10 seconds at up to 300 °C.

When using a dedicated tool, all other leads can be soldered in one operation within 2 to 5 seconds between 270 and 320 °C.

10-bit high-speed low-power ADC

TDA8763A

Suitability of surface mount IC packages for wave and reflow soldering methods

PACKAGE	SOLDERING METHOD	
	WAVE	REFLOW ⁽¹⁾
BGA, SQFP	not suitable	suitable
HLQFP, HSQFP, HSOP, HTSSOP, SMS	not suitable ⁽²⁾	suitable
PLCC ⁽³⁾ , SO, SOJ	suitable	suitable
LQFP, QFP, TQFP	not recommended ⁽³⁾⁽⁴⁾	suitable
SSOP, TSSOP, VSO	not recommended ⁽⁵⁾	suitable

Notes

1. All surface mount (SMD) packages are moisture sensitive. Depending upon the moisture content, the maximum temperature (with respect to time) and body size of the package, there is a risk that internal or external package cracks may occur due to vaporization of the moisture in them (the so called popcorn effect). For details, refer to the Drypack information in the "Data Handbook IC26; Integrated Circuit Packages; Section: Packing Methods".
2. These packages are not suitable for wave soldering as a solder joint between the printed-circuit board and heatsink (at bottom version) can not be achieved, and as solder may stick to the heatsink (on top version).
3. If wave soldering is considered, then the package must be placed at a 45° angle to the solder wave direction. The package footprint must incorporate solder thieves downstream and at the side corners.
4. Wave soldering is only suitable for LQFP, TQFP and QFP packages with a pitch (e) equal to or larger than 0.8 mm; it is definitely not suitable for packages with a pitch (e) equal to or smaller than 0.65 mm.
5. Wave soldering is only suitable for SSOP and TSSOP packages with a pitch (e) equal to or larger than 0.65 mm; it is definitely not suitable for packages with a pitch (e) equal to or smaller than 0.5 mm.

DEFINITIONS

Data sheet status	
Objective specification	This data sheet contains target or goal specifications for product development.
Preliminary specification	This data sheet contains preliminary data; supplementary data may be published later.
Product specification	This data sheet contains final product specifications.
Limiting values	
Limiting values given are in accordance with the Absolute Maximum Rating System (IEC 134). Stress above one or more of the limiting values may cause permanent damage to the device. These are stress ratings only and operation of the device at these or at any other conditions above those given in the Characteristics sections of the specification is not implied. Exposure to limiting values for extended periods may affect device reliability.	
Application information	
Where application information is given, it is advisory and does not form part of the specification.	

LIFE SUPPORT APPLICATIONS

These products are not designed for use in life support appliances, devices, or systems where malfunction of these products can reasonably be expected to result in personal injury. Philips customers using or selling these products for use in such applications do so at their own risk and agree to fully indemnify Philips for any damages resulting from such improper use or sale.

10-bit high-speed low-power ADC

TDA8763A

NOTES

10-bit high-speed low-power ADC

TDA8763A

NOTES

10-bit high-speed low-power ADC

TDA8763A

NOTES

Philips Semiconductors – a worldwide company

Argentina: see South America

Australia: 34 Waterloo Road, NORTH RYDE, NSW 2113,
Tel. +61 2 9805 4455, Fax. +61 2 9805 4466

Austria: Computerstr. 6, A-1101 WIEN, P.O. Box 213,
Tel. +43 1 60 101 1248, Fax. +43 1 60 101 1210

Belarus: Hotel Minsk Business Center, Bld. 3, r. 1211, Volodarski Str. 6,
220050 MINSK, Tel. +375 172 20 0733, Fax. +375 172 20 0773

Belgium: see The Netherlands

Brazil: see South America

Bulgaria: Philips Bulgaria Ltd., Energoproject, 15th floor,
51 James Bourchier Blvd., 1407 SOFIA,
Tel. +359 2 68 9211, Fax. +359 2 68 9102

Canada: PHILIPS SEMICONDUCTORS/COMPONENTS,
Tel. +1 800 234 7381, Fax. +1 800 943 0087

China/Hong Kong: 501 Hong Kong Industrial Technology Centre,
72 Tat Chee Avenue, Kowloon Tong, HONG KONG,
Tel. +852 2319 7888, Fax. +852 2319 7700

Colombia: see South America

Czech Republic: see Austria

Denmark: Sydhavnsgade 23, 1780 COPENHAGEN V,
Tel. +45 33 29 3333, Fax. +45 33 29 3905

Finland: Sinikalliontie 3, FIN-02630 ESPOO,
Tel. +358 9 615 800, Fax. +358 9 6158 0920

France: 51 Rue Carnot, BP317, 92156 SURESNES Cedex,
Tel. +33 1 4099 6161, Fax. +33 1 4099 6427

Germany: Hammerbrookstraße 69, D-20097 HAMBURG,
Tel. +49 40 2353 60, Fax. +49 40 2353 6300

Greece: No. 15, 25th March Street, GR 17778 TAVROS/ATHENS,
Tel. +30 1 489 4339/4239, Fax. +30 1 481 4240

Hungary: see Austria

India: Philips INDIA Ltd, Band Box Building, 2nd floor,
254-D, Dr. Annie Besant Road, Worli, MUMBAI 400 025,
Tel. +91 22 493 8541, Fax. +91 22 493 0966

Indonesia: PT Philips Development Corporation, Semiconductors Division,
Gedung Philips, Jl. Buncit Raya Kav.99-100, JAKARTA 12510,
Tel. +62 21 794 0040 ext. 2501, Fax. +62 21 794 0080

Ireland: Newstead, Clonskeagh, DUBLIN 14,
Tel. +353 1 7640 000, Fax. +353 1 7640 200

Israel: RAPAC Electronics, 7 Kehilat Saloniki St, PO Box 18053,
TEL AVIV 61180, Tel. +972 3 645 0444, Fax. +972 3 649 1007

Italy: PHILIPS SEMICONDUCTORS, Piazza IV Novembre 3,
20124 MILANO, Tel. +39 2 6752 2531, Fax. +39 2 6752 2557

Japan: Philips Bldg 13-37, Kohnan 2-chome, Minato-ku,
TOKYO 108-8507, Tel. +81 3 3740 5130, Fax. +81 3 3740 5077

Korea: Philips House, 260-199 Itaewon-dong, Yongsan-ku, SEOUL,
Tel. +82 2 709 1412, Fax. +82 2 709 1415

Malaysia: No. 76 Jalan Universiti, 46200 PETALING JAYA, SELANGOR,
Tel. +60 3 750 5214, Fax. +60 3 757 4880

Mexico: 5900 Gateway East, Suite 200, EL PASO, TEXAS 79905,
Tel. +9-5 800 234 7381, Fax +9-5 800 943 0087

Middle East: see Italy

Netherlands: Postbus 90050, 5600 PB EINDHOVEN, Bldg. VB,
Tel. +31 40 27 82785, Fax. +31 40 27 88399

New Zealand: 2 Wagener Place, C.P.O. Box 1041, AUCKLAND,
Tel. +64 9 849 4160, Fax. +64 9 849 7811

Norway: Box 1, Manglerud 0612, OSLO,
Tel. +47 22 74 8000, Fax. +47 22 74 8341

Pakistan: see Singapore

Philippines: Philips Semiconductors Philippines Inc.,
106 Valero St. Salcedo Village, P.O. Box 2108 MCC, MAKATI,
Metro MANILA, Tel. +63 2 816 6380, Fax. +63 2 817 3474

Poland: Ul. Lukiska 10, PL 04-123 WARSZAWA,
Tel. +48 22 612 2831, Fax. +48 22 612 2327

Portugal: see Spain

Romania: see Italy

Russia: Philips Russia, Ul. Usatcheva 35A, 119048 MOSCOW,
Tel. +7 095 755 6918, Fax. +7 095 755 6919

Singapore: Lorong 1, Toa Payoh, SINGAPORE 319762,
Tel. +65 350 2538, Fax. +65 251 6500

Slovakia: see Austria

Slovenia: see Italy

South Africa: S.A. PHILIPS Pty Ltd., 195-215 Main Road Martindale,
2092 JOHANNESBURG, P.O. Box 7430 Johannesburg 2000,
Tel. +27 11 470 5911, Fax. +27 11 470 5494

South America: Al. Vicente Pinzon, 173, 6th floor,
04547-130 SÃO PAULO, SP, Brazil,
Tel. +55 11 821 2333, Fax. +55 11 821 2382

Spain: Balmes 22, 08007 BARCELONA,
Tel. +34 93 301 6312, Fax. +34 93 301 4107

Sweden: Kottbygatan 7, Akalla, S-16485 STOCKHOLM,
Tel. +46 8 5985 2000, Fax. +46 8 5985 2745

Switzerland: Allmendstrasse 140, CH-8027 ZÜRICH,
Tel. +41 1 488 2741 Fax. +41 1 488 3263

Taiwan: Philips Semiconductors, 6F, No. 96, Chien Kuo N. Rd., Sec. 1,
TAIPEI, Taiwan Tel. +886 2 2134 2865, Fax. +886 2 2134 2874

Thailand: PHILIPS ELECTRONICS (THAILAND) Ltd.,
209/2 Sanpavuth-Bangna Road Prakanong, BANGKOK 10260,
Tel. +66 2 745 4090, Fax. +66 2 398 0793

Turkey: Talatpasa Cad. No. 5, 80640 GÜLTEPE/ISTANBUL,
Tel. +90 212 279 2770, Fax. +90 212 282 6707

Ukraine: PHILIPS UKRAINE, 4 Patrice Lumumba str., Building B, Floor 7,
252042 KIEV, Tel. +380 44 264 2776, Fax. +380 44 268 0461

United Kingdom: Philips Semiconductors Ltd., 276 Bath Road, Hayes,
MIDDLESEX UB3 5BX, Tel. +44 181 730 5000, Fax. +44 181 754 8421

United States: 811 East Arques Avenue, SUNNYVALE, CA 94088-3409,
Tel. +1 800 234 7381, Fax. +1 800 943 0087

Uruguay: see South America

Vietnam: see Singapore

Yugoslavia: PHILIPS, Trg N. Pasica 5/v, 11000 BEOGRAD,
Tel. +381 11 62 5344, Fax. +381 11 63 5777

For all other countries apply to: Philips Semiconductors,
International Marketing & Sales Communications, Building BE-p, P.O. Box 218,
5600 MD EINDHOVEN, The Netherlands, Fax. +31 40 27 24825

Internet: <http://www.semiconductors.philips.com>

© Philips Electronics N.V. 1999

SCA61

All rights are reserved. Reproduction in whole or in part is prohibited without the prior written consent of the copyright owner.

The information presented in this document does not form part of any quotation or contract, is believed to be accurate and reliable and may be changed without notice. No liability will be accepted by the publisher for any consequence of its use. Publication thereof does not convey nor imply any license under patent- or other industrial or intellectual property rights.

Printed in The Netherlands

545004/750/03/pp24

Date of release: 1999 Jan 06

Document order number: 9397 750 04693

Let's make things better.

**Philips
Semiconductors**



PHILIPS

Select & Go...

Inform:

Catalog by Function

- Discrete semiconductors
- Audio
- Clocks and Watches
- Data communications
- Microcontrollers
- Peripherals
- Standard analog
- Video
- Wired communications
- Wireless communications

TDA8763A; 10-bit high-speed low-power ADC

- [Description](#)
- [Features](#)
- [Datasheet](#)
- [Products, packages, availability and ordering](#)
- [Find similar products](#)

To be kept ir

Catalog by System

- Automotive
- Consumer Multimedia Systems
- Communications
- PC/PC-peripherals

Description

The TDA8763A is a 10-bit high-speed low-power analog-to-digital converter (ADC) for professional v applications. It converts the analog input signal into 10-bit binary-coded digital words at a maximum : 50 MHz. All digital inputs and outputs are TTL and CMOS compatible, although a low-level sine wave signal is allowed.

Cross reference

Models

Packages

Application notes

Selection guides

Other technical documentation

End of Life information

Datahandbook system

The device requires an external source to drive its reference ladder. If the application requires that th driven via internal sources the recommendation is to use the TDA8763.

Features

- 10-bit resolution
- Sampling rate up to 50 MHz
- DC sampling allowed
- One clock cycle conversion only
- High signal-to-noise ratio over a large analog input frequency range (9.4 effective bits at 4.43 input at $f_{clk} = 40$ MHz)
- No missing codes guaranteed
- In-Range (IR) CMOS output
- Levels TTL and CMOS compatible digital inputs
- 3 to 5 V CMOS digital outputs
- Low-level AC clock input signal allowed
- External reference voltage regulator
- Power dissipation only 175 mW (typical)
- Low analog input capacitance, no buffer amplifier required
- No sample-and-hold circuit required.

Relevant Links

- About catalog tree
- About search
- About this site
- Subscribe to eNews
- Catalog & Datasheets
- Search
- [TDA8763A](#)
- [TDA8763A](#)

Datasheet

<u>Type nr.</u>	<u>Title</u>	<u>Publication release date</u>	<u>Datasheet status</u>	<u>Page count</u>	<u>File size (kB)</u>
TDA8763A	10-bit high-speed low-power ADC	06-Jan-99	Product Specification	24	172

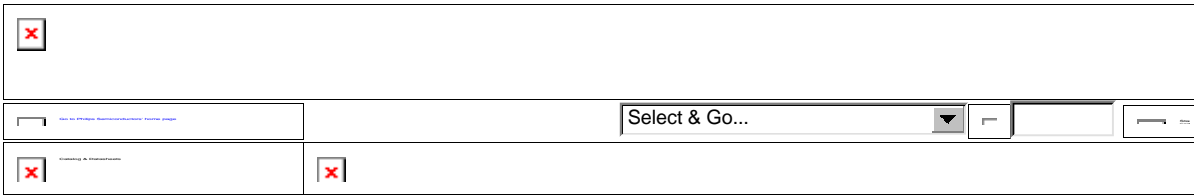
Products, packages, availability and ordering

<u>Partnumber</u>	<u>North American Partnumber</u>	<u>Order code (12nc)</u>	<u>marking/packing</u>	<u>package</u>	<u>device status</u>
TDA8763AM/3/C4		9352 611 20112	Standard Marking * Tube	SOT341	Full production
		9352 611 20118	Standard Marking * Reel Pack, SMD, 13"	SOT341	Full production
	TDA8763AM3DB	9352 611 20512	Standard Marking * Tube Dry Pack	SOT341	Full production
	TDA8763AM3DB-T	9352 611 20518	Standard Marking * Reel Dry Pack, SMD, 13"	SOT341	Full production
TDA8763AM/4/C4		9352 611 21112	Standard Marking * Tube	SOT341	Full production
		9352 611 21118	Standard Marking * Reel Pack, SMD, 13"	SOT341	Full production
	TDA8763AM4DB	9352 611 21512	Standard Marking * Tube Dry Pack	SOT341	Full production
	TDA8763AM4DB-T	9352 611 21518	Standard Marking * Reel Dry Pack, SMD, 13"	SOT341	Full production
TDA8763AM/5/C4		9352 611 22112	Standard Marking * Tube	SOT341	Full production
		9352 611 22118	Standard Marking * Reel Pack, SMD, 13"	SOT341	Full production
	TDA8763AM5DB	9352 611 22512	Standard Marking * Tube Dry Pack	SOT341	Full production
	TDA8763AM5DB-T	9352 611 22518	Standard Marking * Reel Dry Pack, SMD, 13"	SOT341	Full production

Please read [information about some discontinued variants of this product](#).

Find similar products:

[TDA8763A](#) links to the similar products page containing an overview of products that are similar related to the part number(s) as listed on this page. The similar products page includes products from catalog tree(s) , relevant selection guides and products from the same functional category.



Information as of 2000-08-19

- Catalog by Function
- Discrete semiconductors
 - Audio
 - Clocks and Watches
 - Data communications
 - Microcontrollers
 - Peripherals
 - Standard analog
 - Video
 - Wired communications
 - Wireless communications

TDA8763A; 10-bit high-speed low-power ADC

- [Description](#)
- [Features](#)
- [Datasheet](#)
- [Products, packages, availability and ordering](#)
- [Find similar products](#)

- Catalog by System
- Automotive
 - Consumer Multimedia Systems
 - Communications
 - PC/PC-peripherals

Description

The TDA8763A is a 10-bit high-speed low-power analog-to-digital converter (ADC) for professional video and other applications. It converts the analog input signal into 10-bit binary-coded digital words at a maximum sampling rate of 50 MHz. All digital inputs and outputs are TTL and CMOS compatible, although a low-level sine wave clock input signal is allowed.

- Cross reference
- Models
- Packages
- Application notes
- Selection guides
- Other technical documentation
- End of Life information
- Datahandbook system

The device requires an external source to drive its reference ladder. If the application requires that the reference is driven via internal sources the recommendation is to use the TDA8763.

- Relevant Links
- About catalog tree
 - About search
 - About this site
 - Subscribe to eNews
 - Catalog & Datasheets
 - Search
 - [TDA8763A](#)
 - [TDA8763A](#)

Features

- 10-bit resolution
- Sampling rate up to 50 MHz
- DC sampling allowed
- One clock cycle conversion only
- High signal-to-noise ratio over a large analog input frequency range (9.4 effective bits at 4.43 MHz full-scale input at $f_{\text{clk}} = 40$ MHz)
- No missing codes guaranteed
- In-Range (IR) CMOS output
- Levels TTL and CMOS compatible digital inputs
- 3 to 5 V CMOS digital outputs
- Low-level AC clock input signal allowed
- External reference voltage regulator
- Power dissipation only 175 mW (typical)
- Low analog input capacitance, no buffer amplifier required
- No sample-and-hold circuit required.



To be kept informed on TDA8763A, subscribe to eNews.

Datasheet



<u>Type nr.</u>	<u>Title</u>	<u>Publication release date</u>	<u>Datasheet status</u>	<u>Page count</u>	<u>File size (kB)</u>	<u>Datasheet</u>
TDA8763A	10-bit high-speed low-power ADC	06-Jan-99	Product Specification	24	172	<input type="checkbox"/> Download

Products, packages, availability and ordering



<u>Partnumber</u>	<u>North American Partnumber</u>	<u>Order code (12nc)</u>	<u>marking/packing</u>	<u>package</u>	<u>device status</u>	<u>buy online</u>
TDA8763AM/3/C4		9352 611 20112	Standard Marking * Tube	SOT341	Full production	-
		9352 611 20118	Standard Marking * Reel Pack, SMD, 13"	SOT341	Full production	-
	TDA8763AM3DB	9352 611 20512	Standard Marking * Tube Dry Pack	SOT341	Full production	<input type="checkbox"/>
	TDA8763AM3DB-T	9352 611 20518	Standard Marking * Reel Dry Pack, SMD, 13"	SOT341	Full production	<input type="checkbox"/>
TDA8763AM/4/C4		9352 611 21112	Standard Marking * Tube	SOT341	Full production	-
		9352 611 21118	Standard Marking * Reel Pack, SMD, 13"	SOT341	Full production	-
	TDA8763AM4DB	9352 611 21512	Standard Marking * Tube Dry Pack	SOT341	Full production	<input type="checkbox"/>
	TDA8763AM4DB-T	9352 611 21518	Standard Marking * Reel Dry Pack, SMD, 13"	SOT341	Full production	<input type="checkbox"/>
TDA8763AM/5/C4		9352 611 22112	Standard Marking * Tube	SOT341	Full production	-
		9352 611 22118	Standard Marking * Reel Pack, SMD, 13"	SOT341	Full production	-
	TDA8763AM5DB	9352 611 22512	Standard Marking * Tube Dry Pack	SOT341	Full production	<input type="checkbox"/>
	TDA8763AM5DB-T	9352 611 22518	Standard Marking * Reel Dry Pack, SMD, 13"	SOT341	Full production	<input type="checkbox"/>

Please read [information about some discontinued variants of this product](#).

Find similar products:



[TDA8763A](#) links to the similar products page containing an overview of products that are similar in function or related to the part

number(s) as listed on this page. The similar products page includes products from the same catalog tree(s) , relevant selection guides and products from the same functional category.

Copyright © 2000
Royal Philips Electronics
All rights reserved.
[Terms and conditions.](#)