

# Regulator - TinyPower™, Buck-Boost: 2.5 A, 1.8 MHz

## FAN49100

### Description

The FAN49100 is a high efficiency buck-boost switching mode regulator which accepts input voltages either above or below the regulated output voltage. Using fullbridge architecture with synchronous rectification, the FAN49100 is capable of delivering up to 2.5 A at 3.6 V input while regulating the output at 3.3 V. The FAN49100 exhibits seamless transition between step-up and step-down modes reducing output disturbances.

At moderate and light loads, Pulse Frequency Modulation (PFM) is used to operate the device in power-save mode to maintain high efficiency. In PFM mode, the part still exhibits excellent transient response during load steps. At moderate to heavier loads or Forced PWM mode, the regulator switches to PWM fixed-frequency control. While in PWM mode, the regulator operates at a nominal fixed frequency of 1.8 MHz, which allows for reduced external component values.

The FAN49100 is available in a 20-bump 1.615 mm x 2.015 mm with 0.4 mm pitch WLCSP.

### Features

- 24  $\mu$ A Typical PFM Quiescent Current
- Above 95% Efficiency
- Total Layout Area = 11.61 mm<sup>2</sup>
- Input Voltage Range: 2.5 V to 5.5 V
- 1.8 MHz Fixed-Frequency Operation in PWM Mode
- Automatic / Seamless Step-up and Step-down
- Mode Transitions
- Forced PWM and Automatic PFM / PWM Mode Selection
- 0.5  $\mu$ A Typical Shutdown Current
- Low Quiescent Current Pass-Through Mode
- Internal Soft-Start and Output Discharge
- Low Ripple and Excellent Transient Response
- Internally Set, Automatic Safety Protections (UVLO, OTP, SCP, OCP)
- Package: 20 Bump, 0.4 mm Pitch WLCSP
- This Device is Pb-Free, Halogen Free / BFR Free

### Applications

- Smart Phones
- Tablets, Netbooks, Ultra-Mobile PCs
- Portable Devices with Li-ion Battery
- 2G / 3G / 4G Power Amplifiers
- NFC Applications



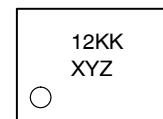
ON Semiconductor®

[www.onsemi.com](http://www.onsemi.com)



WLCSP20 2.015x1.615x0.586  
CASE 567QK

### MARKING DIAGRAM



12	=	Alphanumeric Device Marking
KK	=	Lot Run Code
X	=	Alphabetical Year Code
Y	=	2-weeks Date Code
Z	=	Assembly Plant Code

### ORDERING INFORMATION

See detailed ordering and shipping information on page 2 of this data sheet.

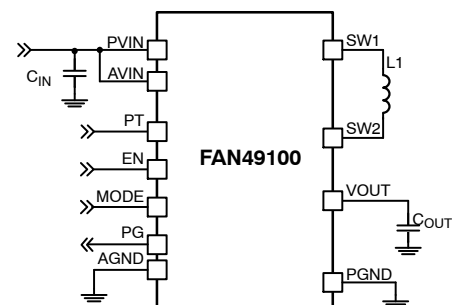


Figure 1. Typical Application

# FAN49100

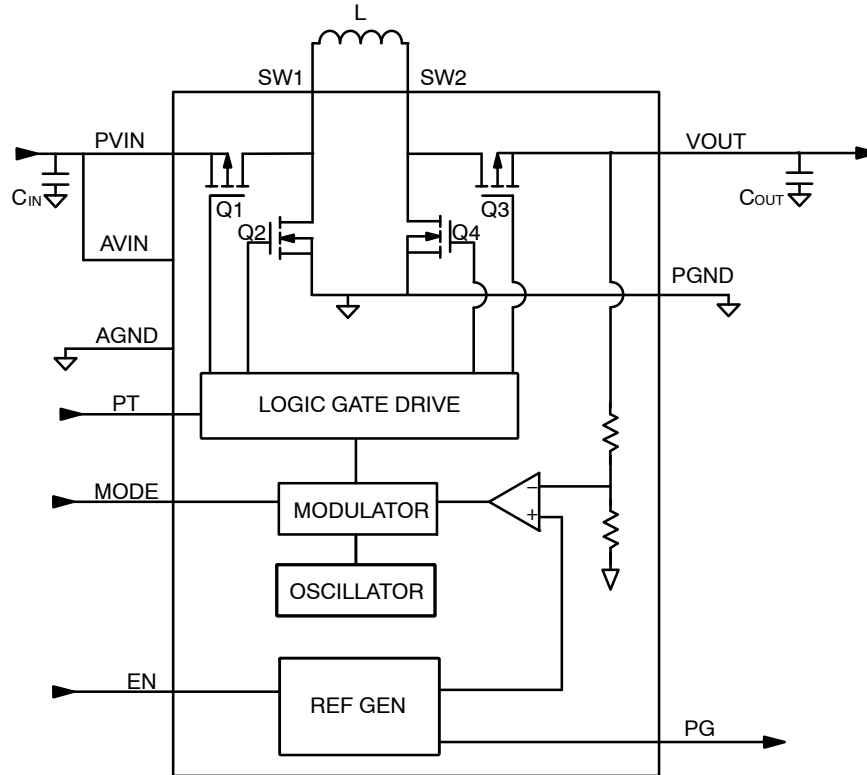
**Table 1. ORDERING INFORMATION**

Part Number	Default Voltage (Note 1)	Output Discharge	Temperature Range	Package	Shipping†	Device Marking
FAN49100AUC330X	3.3 V	Yes	-40 to 85°C	20-Ball (WLCSP)	Tape and Reel	FD
FAN49100AUC360X	3.6 V					FE

†For information on tape and reel specifications, including part orientation and tape sizes, please refer to our Tape and Reel Packaging Specifications Brochure, BRD8011/D.

1. Additional VOUT values are available, contact ON Semiconductor representative.

## BLOCK DIAGRAM



**Figure 2. Block Diagram**

# FAN49100

## PIN CONFIGURATION

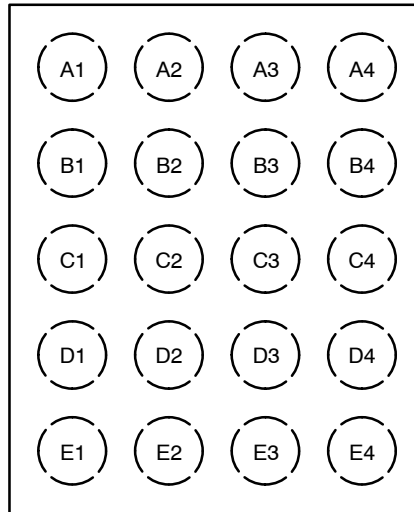


Figure 3. Top View (Bump Down)

Table 2. PIN DEFINITIONS (Note 2)

Pin #	Name	Description
A3, A4	PVIN	<b>Power Input Voltage.</b> Connect to input power source. Connect to $C_{IN}$ with minimal path.
A1	AVIN	<b>Analog Input Voltage.</b> Analog input for device. Connect to $C_{IN}$ and PVIN.
A2	EN	<b>Enable.</b> A HIGH logic level on this pin forces the device to be enabled. A LOW logic level forces the device into shutdown. EN pin can be tied to VIN or driven via a GPIO logic voltage.
B3, B4	SW1	<b>Switching Node 1.</b> Connect to inductor L1.
E1	AGND	<b>Analog Ground.</b> Control block signal is referenced to this pin. Short AGND to PGND at GND pad of $C_{OUT}$ .
B1, C1, C2, C3, C4, D1	PGND	<b>Power Ground.</b> Low-side MOSFET of buck and main MOSFET of boost are referenced to this pin. $C_{IN}$ and $C_{OUT}$ should be returned with a minimal path to these pins.
D2	MODE	<b>Forced PWM / AUTO Mode.</b> HIGH logic level on this pin forces the chip to stay in PWM mode, while LOW logic level allows the chip to automatically switch between PFM and PWM modes. Don't leave the pin floating.
D3, D4	SW2	<b>Switching Node 2.</b> Connect to inductor L1.
E2	PG	<b>Power Good.</b> This is an open-drain output and normally High Z. An external pull-up resistor from VOUT can be used to generate a logic HIGH. PG is pulled LOW if output falls out of regulation due to current overload or if thermal protection threshold is exceeded. If EN is LOW, PG is high impedance.
B2	PT	<b>Pass-Through.</b> HIGH logic level forces Pass-Through mode. A LOW logic level forces normal operation. Don't leave the pin floating.
E3, E4	VOUT	<b>Output Voltage.</b> Buck-Boost Output. Connect to output load and $C_{OUT}$ .

2. Refer to Layout Recommendation section located near the end of the datasheet.

# FAN49100

**Table 3. ABSOLUTE MAXIMUM RATINGS** ( $T_A = 25^\circ\text{C}$ , Unless otherwise specified)

Symbol	Parameter	Min.	Max.	Unit
PVIN/AVIN	PVIN/AVIN Voltage	-0.3	6.5	V
VOUT	VOUT Voltage	-0.3	6.5	V
SW1, SW2	SW Nodes Voltage	-0.3	7.0	V
	Other Pins	-0.3	6.5	V
ESD	Electrostatic Discharge Protection Level	Human Body Model per JESD22-A114	2000	V
		Charged Device Model per JESD22-C101	1000	
$T_J$	Junction Temperature	-40	+150	$^\circ\text{C}$
$T_{STG}$	Storage Temperature	-65	+150	$^\circ\text{C}$
$T_L$	Lead Soldering Temperature, 10 Seconds		+260	$^\circ\text{C}$

Stresses exceeding those listed in the Maximum Ratings table may damage the device. If any of these limits are exceeded, device functionality should not be assumed, damage may occur and reliability may be affected.

**Table 4. RECOMMENDED OPERATING CONDITIONS**

Symbol	Parameter	Min.	Typ.	Max.	Unit
PVIN	Supply Voltage Range	2.5		5.5	V
$I_{OUT}$	Output Current (Note 3)	0		2.5	A
L	Inductor (Note 4)		1		$\mu\text{H}$
$C_{OUT}$	Output Capacitance (Note 4)		47		$\mu\text{F}$
$T_A$	Operating Ambient Temperature	-40		+85	$^\circ\text{C}$
$T_J$	Operating Junction Temperature	-40		+125	$^\circ\text{C}$

Functional operation above the stresses listed in the Recommended Operating Ranges is not implied. Extended exposure to stresses beyond the Recommended Operating Ranges limits may affect device reliability.

- Maximum current may be limited by the thermal conditions of the end application, PCB layout, and external component selection in addition to the device's thermal properties. Refer to the Application Information and Application Guidelines sections for more information.
- Refer to the Application Guidelines section for details on external component selection.

**Table 5. THERMAL PROPERTIES**

Symbol	Parameter	Min.	Typ.	Max.	Unit
$\theta_{JA}$	Junction-to-Ambient Thermal Resistance (Note 5)		66		$^\circ\text{C}/\text{W}$

- See Thermal Considerations in the Application Information section.

# FAN49100

**Table 6. ELECTRICAL CHARACTERISTICS** (Note 6, 7)

Minimum and maximum values are at  $PVIN = AVIN = 2.5\text{ V to }5.5\text{ V}$ ,  $T_A = -40^\circ\text{C to }+85^\circ\text{C}$ . Typical values are at  $T_A = 25^\circ\text{C}$ ,  $PVIN = AVIN = VEN = 3.6\text{ V}$ ,  $VOUT = 3.3\text{ V}$ .

Symbol	Parameter	Conditions	Min.	Typ.	Max.	Unit
--------	-----------	------------	------	------	------	------

## POWER SUPPLIES

$I_Q$	Quiescent Current	PFM Mode, $I_{OUT} = 0\text{ mA}$ (Note 8)		24		$\mu\text{A}$
		PT Mode, $I_{OUT} = 0\text{ mA}$		27		
$I_{SD}$	Shutdown Supply Current	EN = GND, $PVIN = 3.6\text{ V}$		0.5	5.0	
$V_{UVLO}$	Under-Voltage Lockout Threshold	Falling $PVIN$	1.95	2.00	2.05	V
$V_{UVHYST}$	Under-Voltage Lockout Hysteresis			200		mV

## EN, MODE, PT

$V_{IH}$	HIGH Level Input Voltage		1.1			V
$V_{IL}$	LOW Level Input Voltage				0.4	V
$I_{IN}$	Input Bias Current Into Pin	Input Tied to GND or $PVIN$		0.01	1.00	$\mu\text{A}$

## PG

$V_{PG}$	PG LOW	$I_{PG} = 5\text{ mA}$			0.4	V
$I_{PG\_LK}$	PG Leakage Current	$V_{PG} = 5\text{ V}$			1	$\mu\text{A}$

## SWITCHING

$f_{SW}$	Switching Frequency	$PVIN = 3.6\text{ V}$ , $T_A = 25^\circ\text{C}$	1.6	1.8	2.0	MHz
$I_{p\_LIM}$	Peak PMOS Current Limit	$PVIN = 3.6\text{ V}$	4.6	5.2	5.9	A

## ACCURACY

$V_{OUT\_ACC}$	DC Output Voltage Accuracy	$PVIN = 3.6\text{ V}$ , Forced PWM, $I_{OUT} = 0\text{ mA}$ , $VOUT = 3.3\text{ V}$	3.267	3.300	3.333	V
		$PVIN = 3.6\text{ V}$ , PFM Mode, $I_{OUT} = 0\text{ mA}$ , $VOUT = 3.3\text{ V}$	3.267	3.375	3.458	

Product parametric performance is indicated in the Electrical Characteristics for the listed test conditions, unless otherwise noted. Product performance may not be indicated by the Electrical Characteristics if operated under different conditions.

- Refer to Typical Characteristics waveforms/graphs for Closed-Loop data and its variation with input voltage and ambient temperature. Electrical Characteristics reflects Open-Loop steady state data. System Characteristics reflects both steady state and dynamic Close-Loop data associated with the recommended external components.
- Minimum and Maximum limits are verified by design, test, or statistical analysis. Typical (Typ.) values are not tested, but represent the parametric norm.
- Device is not switching.

# FAN49100

**Table 7. SYSTEM CHARACTERISTICS**

The following table is verified by design and bench test while using circuit of Figure 1 with the recommended external components. Typical values are at  $T_A = 25^\circ\text{C}$ ,  $P_{VIN} = A_{VIN} = V_{EN} = 3.6\text{ V}$ ,  $V_{OUT} = 3.3\text{ V}$ . These parameters are not verified in production.

Symbol	Parameter		Min.	Typ.	Max.	Unit
$V_{OUT\_ACC}$	Total Accuracy (Includes DC Accuracy and Load Transient) (Note 9)			$\pm 5$		%
$\Delta V_{OUT}$	Load Regulation	$I_{OUT} = 0.4\text{ A to }2.5\text{ A}$ , $P_{VIN} = 3.6\text{ V}$		-0.10		%/A
$\Delta V_{OUT}$	Line Regulation	$3.0\text{ V} \leq P_{VIN} \leq 4.2\text{ V}$ , $I_{OUT} = 1.5\text{ A}$		-0.06		%/V
$V_{OUT\_RIPPLE}$	Ripple Voltage	$P_{VIN} = 4.2\text{ V}$ , $V_{OUT} = 3.3\text{ V}$ , $I_{OUT} = 1\text{ A}$ , PWM Mode		4		mV
		$P_{VIN} = 3.6\text{ V}$ , $V_{OUT} = 3.3\text{ V}$ , $I_{OUT} = 100\text{ mA}$ , PFM Mode		22		
		$P_{VIN} = 3.0\text{ V}$ , $V_{OUT} = 3.3\text{ V}$ , $I_{OUT} = 1\text{ A}$ , PWM Mode		14		
$\eta$	Efficiency	$P_{VIN} = 3.0\text{ V}$ , $V_{OUT} = 3.3\text{ V}$ , $I_{OUT} = 75\text{ mA}$ , PFM		90		%
		$P_{VIN} = 3.0\text{ V}$ , $V_{OUT} = 3.3\text{ V}$ , $I_{OUT} = 500\text{ mA}$ , PWM		96		
		$P_{VIN} = 3.8\text{ V}$ , $V_{OUT} = 3.3\text{ V}$ , $I_{OUT} = 100\text{ mA}$ , PFM		91		
		$P_{VIN} = 3.8\text{ V}$ , $V_{OUT} = 3.3\text{ V}$ , $I_{OUT} = 600\text{ mA}$ , PWM		96		
		$P_{VIN} = 3.4\text{ V}$ , $V_{OUT} = 3.3\text{ V}$ , $I_{OUT} = 300\text{ mA}$ , PWM		93		
$T_{SS}$	Soft-Start	EN HIGH to 95% of Target $V_{OUT}$ , $I_{OUT} = 68\text{ mA}$		260		$\mu\text{s}$
$\Delta V_{OUT\_LOAD}$	Load Transient	$P_{VIN} = 3.4\text{ V}$ , $I_{OUT} = 0.5\text{ A} \leftrightarrow 1\text{ A}$ , $T_R = T_F = 1\text{ }\mu\text{s}$		$\pm 45$		mV
		$P_{VIN} = 3.4\text{ V}$ , $I_{OUT} = 0.5\text{ A} \leftrightarrow 2.0\text{ A}$ , $T_R = T_F = 1\text{ }\mu\text{s}$ , Pulse Width = 577 $\mu\text{s}$		$\pm 125$		
$\Delta V_{OUT\_LINE}$	Line Transient	$P_{VIN} = 3.0\text{ V} \leftrightarrow 3.6\text{ V}$ , $T_R = T_F = 10\text{ }\mu\text{s}$ , $I_{OUT} = 1\text{ A}$		$\pm 60$		mV

9. Load transient is from 0.5 A  $\leftrightarrow$  1 A.

# FAN49100

## TYPICAL CHARACTERISTICS

Unless otherwise noted,  $P_{VIN} = A_{VIN} = V_{EN} = 3.6\text{ V}$ ,  $V_{OUT} = 3.3\text{ V}$ , circuit of Figure 1 with the recommended external components, AUTO Mode

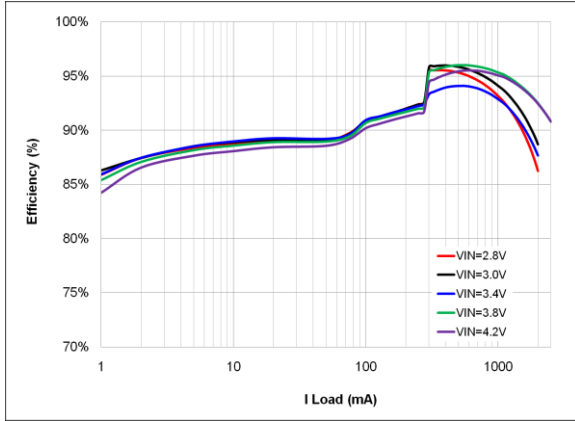


Figure 4. Efficiency vs. Load

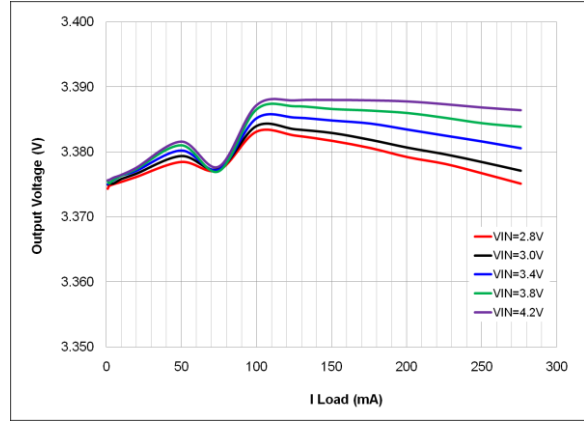


Figure 5. Output Regulation vs. Load

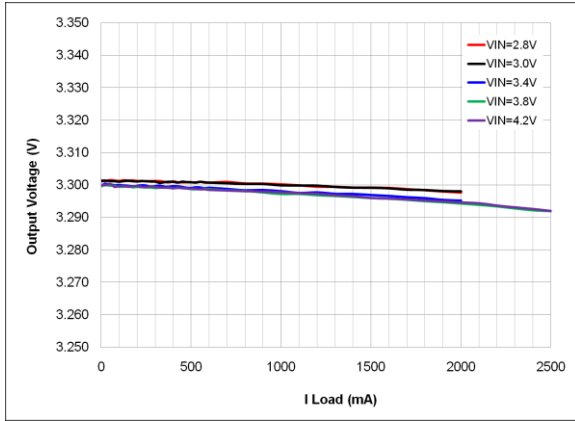


Figure 6. Output Regulation vs. Load, PWM Mode

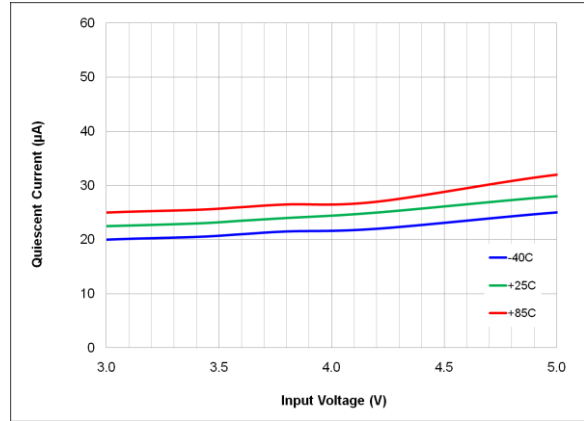


Figure 7. Quiescent Current (No Switching) vs. Input Voltage

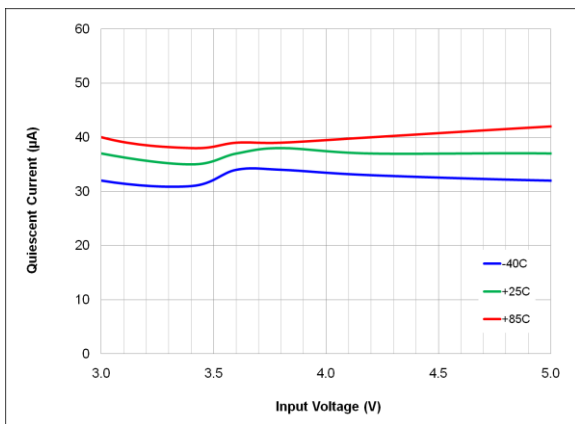


Figure 8. Quiescent Current (Switching) vs. Input Voltage

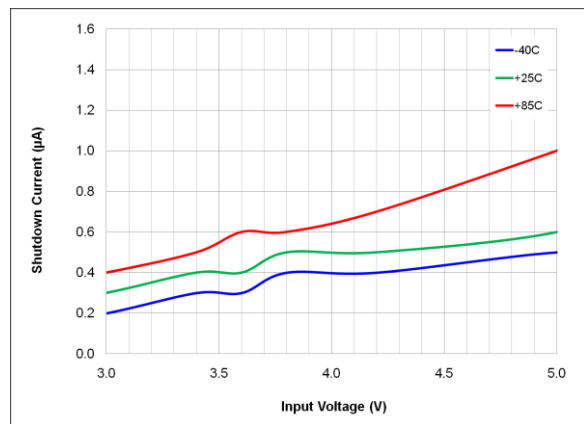


Figure 9. Shutdown Current vs. Input Voltage

# FAN49100

## TYPICAL CHARACTERISTICS (continued)

Unless otherwise noted,  $P_{VIN} = A_{VIN} = V_{EN} = 3.6\text{ V}$ ,  $V_{OUT} = 3.3\text{ V}$ , circuit of Figure 1 with the recommended external components, AUTO Mode

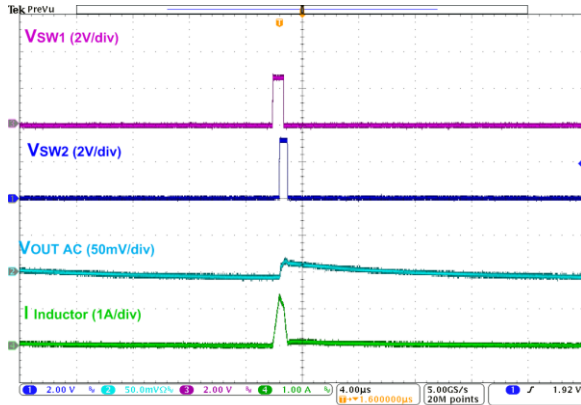


Figure 10. Output Ripple,  $V_{IN} = 2.8\text{ V}$ ,  
 $I_{OUT} = 20\text{ mA}$ , Boost Operation

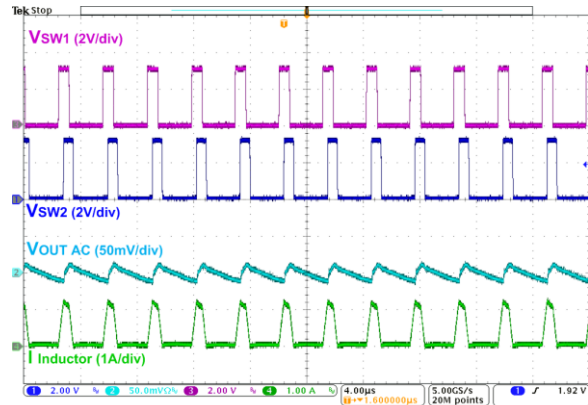


Figure 11. Output Ripple,  $V_{IN} = 3.3\text{ V}$ ,  
 $I_{OUT} = 200\text{ mA}$ , Buck-Boost Operation

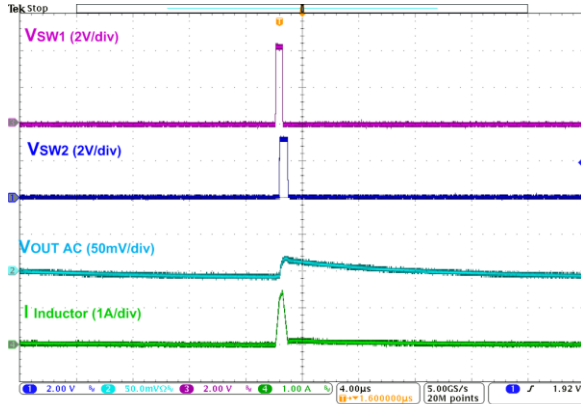


Figure 12. Output Ripple,  $V_{IN} = 4.2\text{ V}$ ,  
 $I_{OUT} = 20\text{ mA}$ , Buck Operation

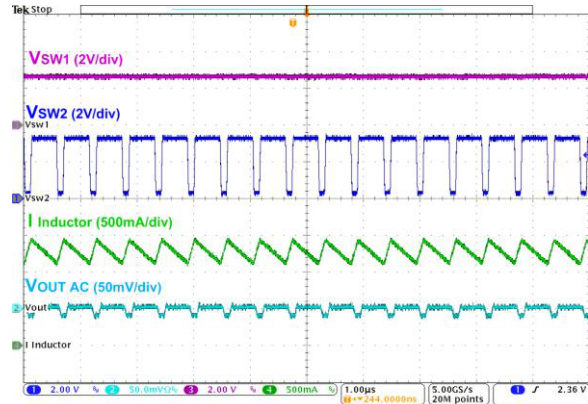


Figure 13. Output Ripple,  $V_{IN} = 2.5\text{ V}$ ,  
 $I_{OUT} = 1000\text{ mA}$ , Boost Operation

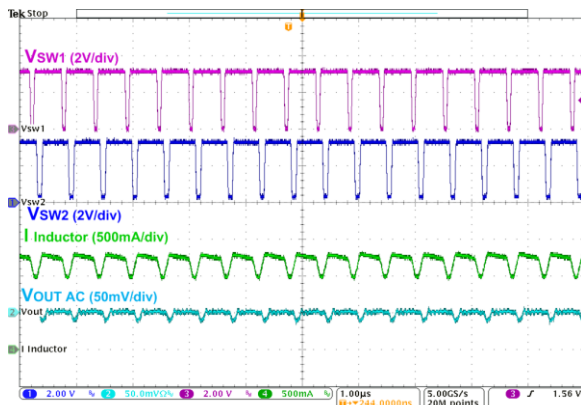


Figure 14. Output Ripple,  $V_{IN} = 3.3\text{ V}$ ,  
 $I_{OUT} = 1000\text{ mA}$ , Buck-Boost Operation

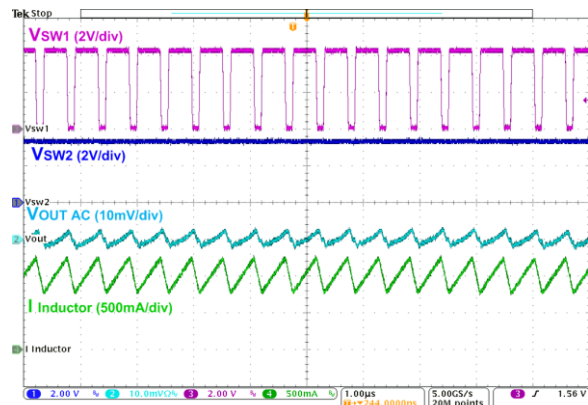


Figure 15. Output Ripple,  $V_{IN} = 4.5\text{ V}$ ,  
 $I_{OUT} = 1000\text{ mA}$ , Buck Operation



# FAN49100

## TYPICAL CHARACTERISTICS (continued)

Unless otherwise noted,  $P_{VIN} = A_{VIN} = V_{EN} = 3.6\text{ V}$ ,  $V_{OUT} = 3.3\text{ V}$ , circuit of Figure 1 with the recommended external components, AUTO Mode

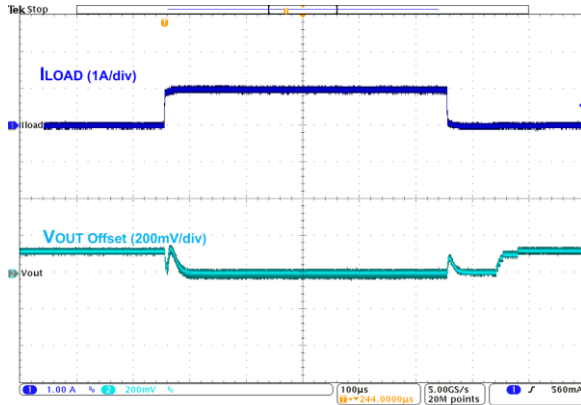


Figure 16. Load Transient, 0 mA  $\leftrightarrow$  1000 mA, 1  $\mu$ s Edge,  $V_{IN} = 3.60\text{ V}$

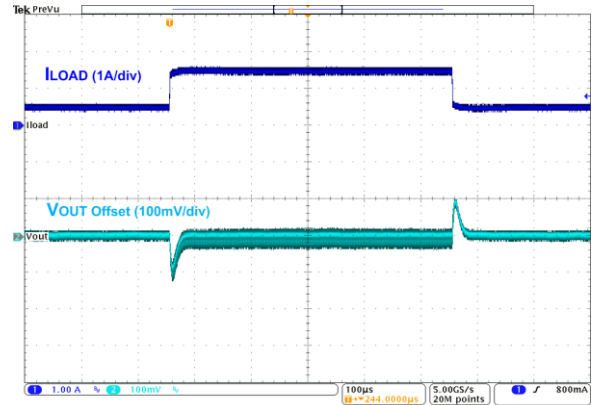


Figure 17. Load Transient, 500 mA  $\leftrightarrow$  1500 mA, 1  $\mu$ s Edge,  $V_{IN} = 3.60\text{ V}$

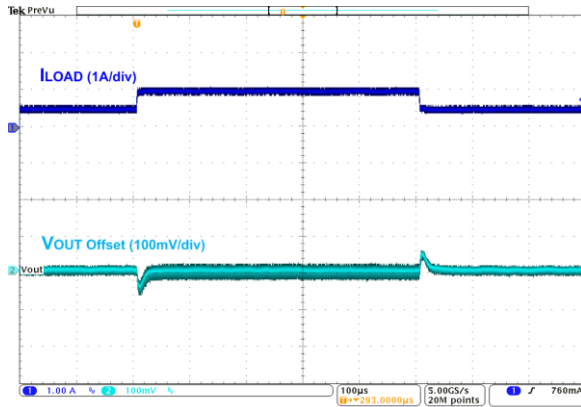


Figure 18. Load Transient, 500 mA  $\leftrightarrow$  1000 mA, 1  $\mu$ s Edge,  $V_{IN} = 3.40\text{ V}$

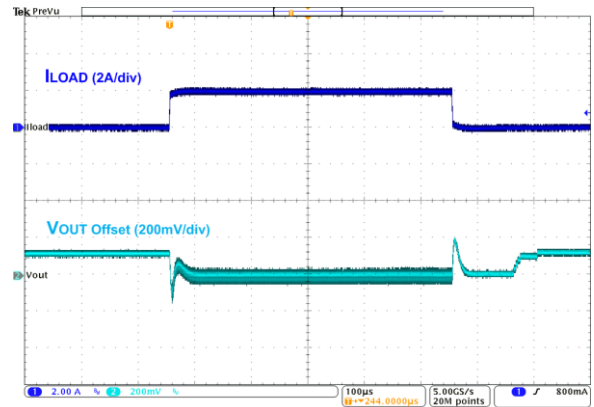


Figure 19. Load Transient, 0 mA  $\leftrightarrow$  2000 mA, 1  $\mu$ s Edge,  $V_{IN} = 3.60\text{ V}$

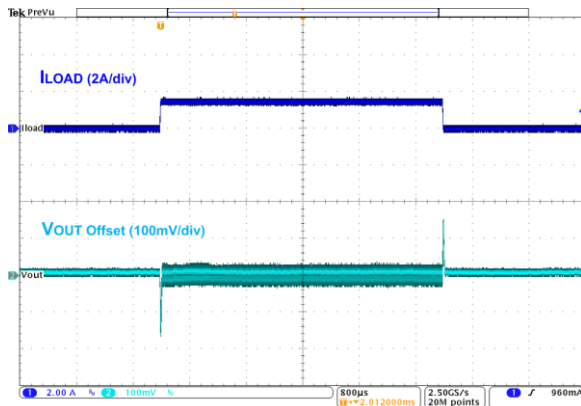


Figure 20. Load Transient, 0 mA  $\leftrightarrow$  1500 mA, 10  $\mu$ s Edge,  $V_{IN} = 2.80\text{ V}$ , PWM Mode

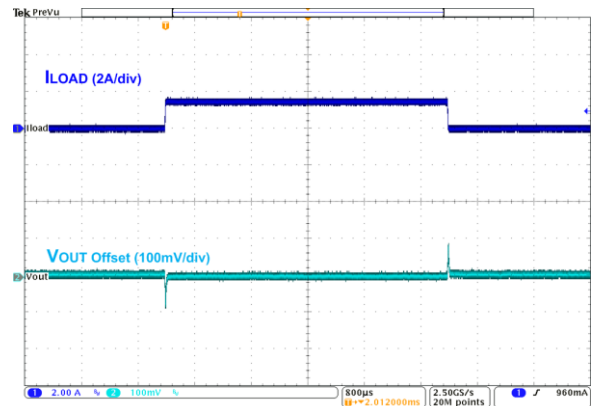


Figure 21. Load Transient, 0 mA  $\leftrightarrow$  1500 mA, 10  $\mu$ s Edge,  $V_{IN} = 4.20\text{ V}$ , PWM Mode

# FAN49100

## TYPICAL CHARACTERISTICS (continued)

Unless otherwise noted,  $P_{VIN} = A_{VIN} = V_{EN} = 3.6\text{ V}$ ,  $V_{OUT} = 3.3\text{ V}$ , circuit of Figure 1 with the recommended external components, AUTO Mode

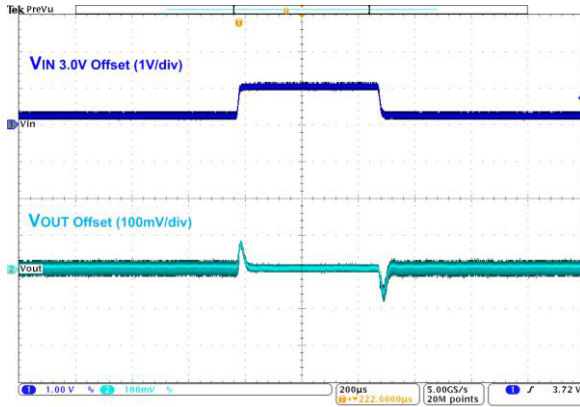


Figure 22. Line Transient, 3.2  $\leftrightarrow$  4.0 VIN, 10  $\mu$ s Edge, 1000 mA Load

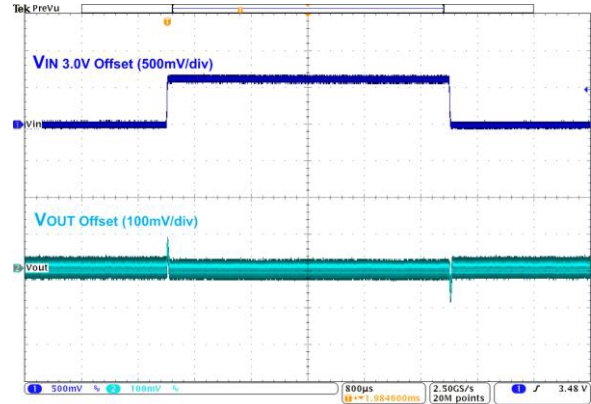


Figure 23. Line Transient, 3.0  $\leftrightarrow$  3.6 VIN, 10  $\mu$ s Edge, 1500 mA Load, PWM

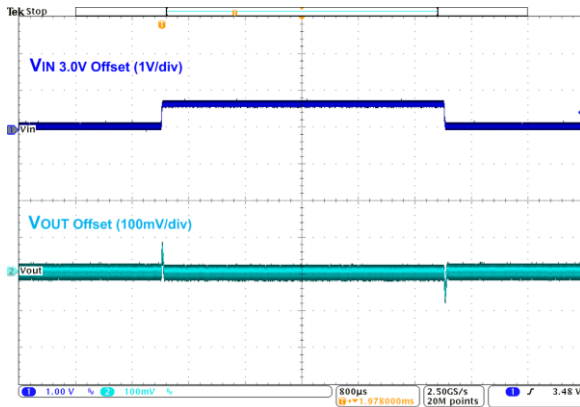


Figure 24. Line Transient, 3.0  $\leftrightarrow$  3.6 VIN, 10  $\mu$ s Edge, 1000 mA Load, PWM

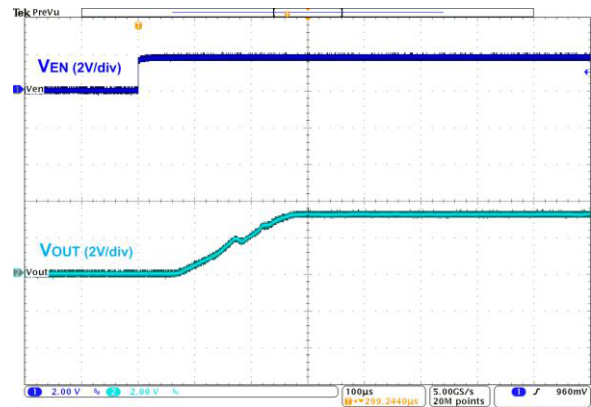


Figure 25. Startup, VIN = 3.6 V,  $I_{OUT} = 0\text{ mA}$

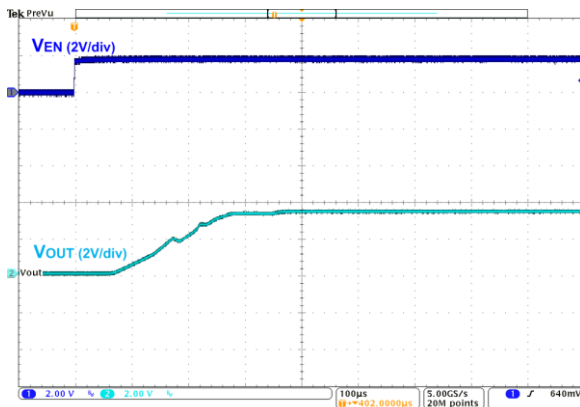


Figure 26. Startup, VIN = 3.6 V,  $I_{OUT} = 68\text{ mA}$

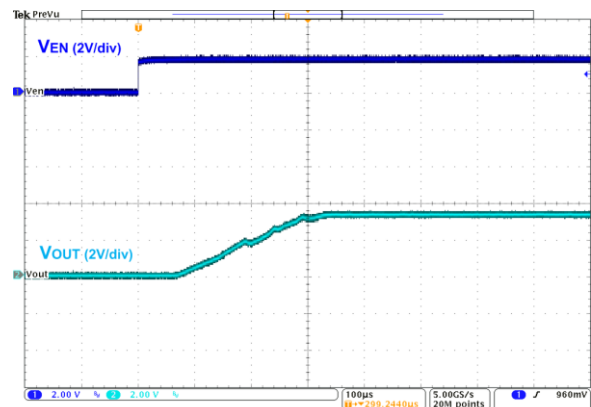


Figure 27. Startup, VIN = 3.6 V,  $I_{OUT} = 1000\text{ mA}$

# FAN49100

## TYPICAL CHARACTERISTICS (continued)

Unless otherwise noted,  $P_{VIN} = A_{VIN} = V_{EN} = 3.6\text{ V}$ ,  $V_{OUT} = 3.3\text{ V}$ , circuit of Figure 1 with the recommended external components, AUTO Mode

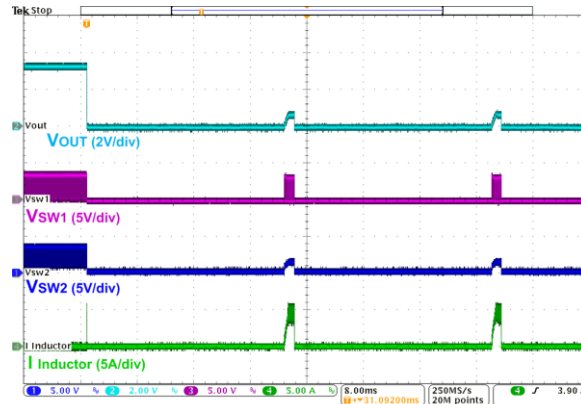


Figure 28. Short-Circuit Protection

## APPLICATION INFORMATION

### Functional Description

FAN49100 is a fully integrated synchronous, full bridge DC-DC converter that can operate in buck operation (during high  $P_{VIN}$ ), boost operation (for low  $P_{VIN}$ ) and a combination of buck-boost operation when  $P_{VIN}$  is close to the target  $V_{OUT}$  value. The PWM/PFM controller switches automatically and seamlessly between buck, buck-boost and boost modes.

The FAN49100 uses a four-switch operation during each switching period when in the buck-boost mode. Mode operation is as follows: referring to the power drive stage shown in Figure 29, if  $P_{VIN}$  is greater than target  $V_{OUT}$ , then the converter is in buck mode: Q3 is ON and Q4 is OFF continuously leaving Q1, Q2 to operate as a current-mode controlled PWM converter. If  $P_{VIN}$  is lower than target  $V_{OUT}$  then the converter is in boost mode with Q1 ON and Q2 OFF continuously, while leaving Q3, Q4 to operate as a current-mode boost converter. When  $P_{VIN}$  is near  $V_{OUT}$ , the converter goes into a 3-phase operation in which combines a buck phase, a boost phase and a reset phase; all switches are switching to maintain an average inductor volt-second balance.

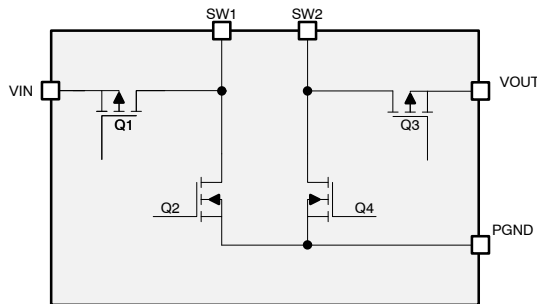


Figure 29. Simplified Block Diagram

### PFM/PWM Mode

The FAN49100 uses a current-mode modulator to achieve smooth transitions between PWM and PFM operation. In Pulsed Frequency Modulation (PFM), frequency is reduced to maintain high efficiency. During PFM operation, the converter positions the output voltage typically 75 mV higher than the nominal output voltage during PWM operation, allowing additional headroom for voltage drop during a load transient from light to heavy load. As the load increased from light loads, the converter enters PWM operation typically at 300 mA of current load. The converter switching frequency is typically 1.8 MHz during PWM operation for moderate to heavy load currents.

### PT (Pass-Through) Mode

In Pass-Through mode, all of the switches are not switching and  $V_{OUT}$  tracks  $P_{VIN}$  ( $V_{OUT} = P_{VIN} - I_{OUT} \times (Q1_{RDSON} + Q3_{RDSON} + L_{DCR})$ ). In PT mode only Over-Temperature (OTP) and Under Voltage Lockout (UVLO) protection circuits are activated. There is no Over-Current Protection (OCP) in PT mode.

### Shutdown and Startup

When the EN pin is LOW, the IC is shut down, all internal circuits are off, and the part draws very little current. During shutdown,  $V_{OUT}$  is isolated from  $P_{VIN}$ . Raising EN pin activates the device and begins the softstart cycle. During soft-start, the modulator's internal reference is ramped slowly to minimize surge currents on the input and prevent overshoot of the output voltage. If  $V_{OUT}$  fails to reach target  $V_{OUT}$  value after 1 ms, a FAULT condition is declared.

**Over-Temperature (OTP)**

The regulator shuts down when the die temperature exceeds 150°C. Restart occurs when the IC has cooled by approximately 20°C.

**Output Discharge**

When the regulator is disabled and driving the EN pin LOW, a 230 Ω internal resistor is activated between VOUT and GND. The Output Discharge is not activated during a FAULT state condition.

**Over-Current Protection (OCP)**

If the peak current limit is activated for a typical 700 μs, a FAULT state is generated, so that the IC protects itself as well as external components and load.

**FAULT State**

The regulator enters the FAULT state under any of the following conditions:

- VOUT fails to achieve the voltage required after soft-start
- Peak current limit triggers
- OTP or UVLO are triggered

Once a FAULT is triggered, the regulator stops switching and presents a high-impedance path between PVIN and VOUT. After waiting 30 ms, a restart is attempted. The regulator shuts down when the die temperature exceeds 150°C. Restart occurs when the IC has cooled by approximately 20°C.

**Power Good**

PG, an open-drain output, is LOW during FAULT state and HIGH for Power Good. The PG pin is provided for signaling the system when the regulator has successfully completed soft-start and no FAULTs have occurred. PG pin also functions as a warning flag for high die temperature and overload conditions.

- PG is released HIGH when the soft-start sequence is successfully completed.
- PG is pulled LOW when a FAULT is declared.

Any FAULT condition causes PG to be de-asserted.

**Thermal Considerations**

For best performance, the die temperature and the power dissipated should be kept at moderate values. The maximum power dissipated can be evaluated based on the following relationship:

$$P_{D(max)} = \left\{ \frac{T_{J(max)} - T_A}{\theta_{JA}} \right\}$$

where  $T_{J(max)}$  is the maximum allowable junction temperature of the die;  $T_A$  is the ambient operating temperature; and  $\theta_{JA}$  is dependent on the surrounding PCB layout and can be improved by providing a heat sink of surrounding copper ground. The addition of backside copper with through-holes, stiffeners, and other enhancements can help reduce  $\theta_{JA}$ . The heat contributed by the dissipation of devices nearby must be included in design considerations. Following the layout recommendation may lower the  $\theta_{JA}$ .

**APPLICATION GUIDELINES**

**Table 8. RECOMMENDED EXTERNAL COMPONENTS**

Reference Designator	Description	Quantity	Part Number
L	1 μH, Isat(max) = 4.2 A, 36 mΩ(max), 2016	1	Cyntec HTEH20161T-1R0MSR
C <sub>OUT</sub>	47 μF (x2), 6.3 V, X5R, 1608	2	Murata GRM188R60J476ME15
C <sub>IN</sub>	22 μF, 10 V, X5R, 1608	1	Murata GRM187R61A226ME15

**Alternative External Components**

It is recommended to use the external components in Table 8. Alternative components that are suitable for a design’s specific requirements must also meet the IC’s requirements for proper device operation.

De-rating factors should be taken into consideration to ensure selected components meet minimum requirements.

**Output Capacitor (C<sub>OUT</sub>)**

As shown in the recommended layout, C<sub>OUT</sub> must connect to the VOUT pin with the lowest impedance trace possible. Additionally, C<sub>OUT</sub> must connect to the GND pin with the lowest impedance possible.

Smaller-than-recommended value output capacitors may be used for applications with reduced load current requirements. When selecting capacitors for minimal solution size, it must be noted that the effective capacitance (C<sub>EFF</sub>) of small, high-value, ceramic capacitors will decrease as bias voltage increases. The effects of Bias Voltage (DC Bias Characteristics), Tolerance, and Temperature should be included when determining a component’s effective capacitance.

The FAN49100 is guaranteed for stable operation with no less than the minimum effective output capacitance values shown in Table 9.

# FAN49100

**Table 9. REQUIRED MINIMUM EFFECTIVE OUTPUT CAPACITANCE VERSUS MAXIMUM LOAD**

Maximum Load Current	Inductor ( $\mu\text{H}$ )	Required Minimum Effective Output Capacitance ( $\mu\text{F}$ )
$\leq 2000 \text{ mA}$	1.0	15
	0.47	9
$\leq 1500 \text{ mA}$	1.0	12
$\leq 1000 \text{ mA}$	1.0	9
$\leq 600 \text{ mA}$	1.0	7
$\leq 500 \text{ mA}$	1.0	6

**Table 10. EFFECTIVE CAPACITANCE VERSUS PART NUMBER**

PN	Size (mm) LW x H	Nominal Value ( $\mu\text{F}$ )	Rating (V)	Tol. (%)	Bias (V)	Effective Capacitance ( $\mu\text{F}$ ) Due to Bias, Temperature and Tolerance
Murata GRM188R60J476ME15	1608 x 1.0	47	6.3	20	3.4	8.5
Murata GRM187R61A226ME15	1608 x 0.8	22	10	20	3.4	6.3
					5	4.2
Murata GRM188R61A106KE69	1608 x 1.0	10	10	10	3.4	3.2
					5	2.3

### Input Capacitor ( $C_{\text{IN}}$ )

As shown in the recommended layout,  $C_{\text{IN}}$  must connect to the PVIN pin with the lowest impedance trace possible. Additionally,  $C_{\text{IN}}$  must connect to the GND pin with the lowest impedance possible.

The FAN49100 is guaranteed for stable operation with a minimum effective capacitance of  $2 \mu\text{F}$ . It is recommended to use a high quality input capacitor rated at  $10 \mu\text{F}$  nominal or greater. Additional capacitance is required when the FAN49100's power source is not located close to the device.

### Inductor (L)

As shown in the recommended layout, the inductor (L) must connect to the SW1 and SW2 pins with the lowest impedance trace possible.

The recommended nominal inductance value is  $1.0 \mu\text{H}$ . A value of  $0.47 \mu\text{H}$  can be used, but higher peak currents should be expected.

The FAN49100 employs peak current limiting, and the peak inductor current can reach  $I_{\text{P\_LIM}}$  before limiting, therefore current saturation should be considered when choosing an inductor.

# FAN49100

## LAYOUT RECOMMENDATIONS

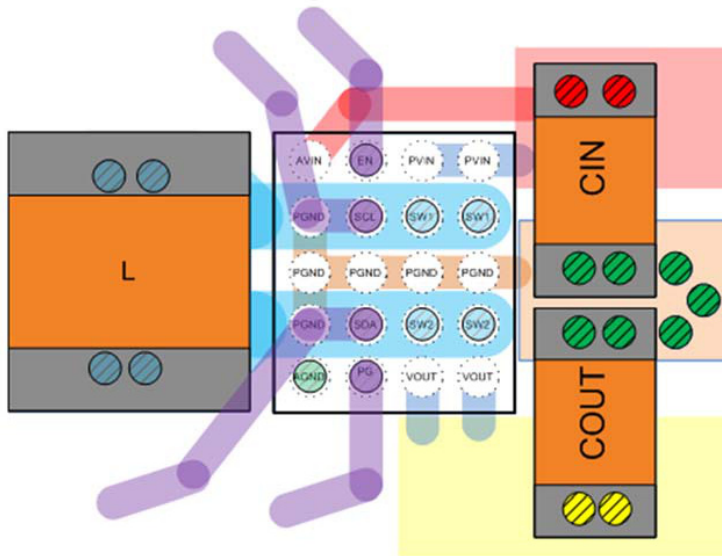


Figure 30. Component Placement and Routing for FAN49100

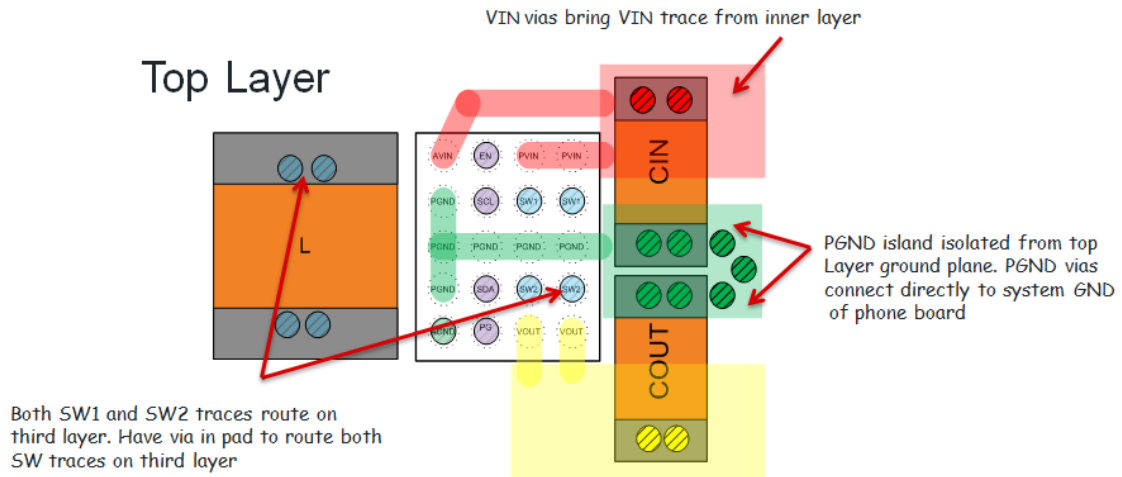


Figure 31. Top Layer Routing for FAN49100

## FAN49100

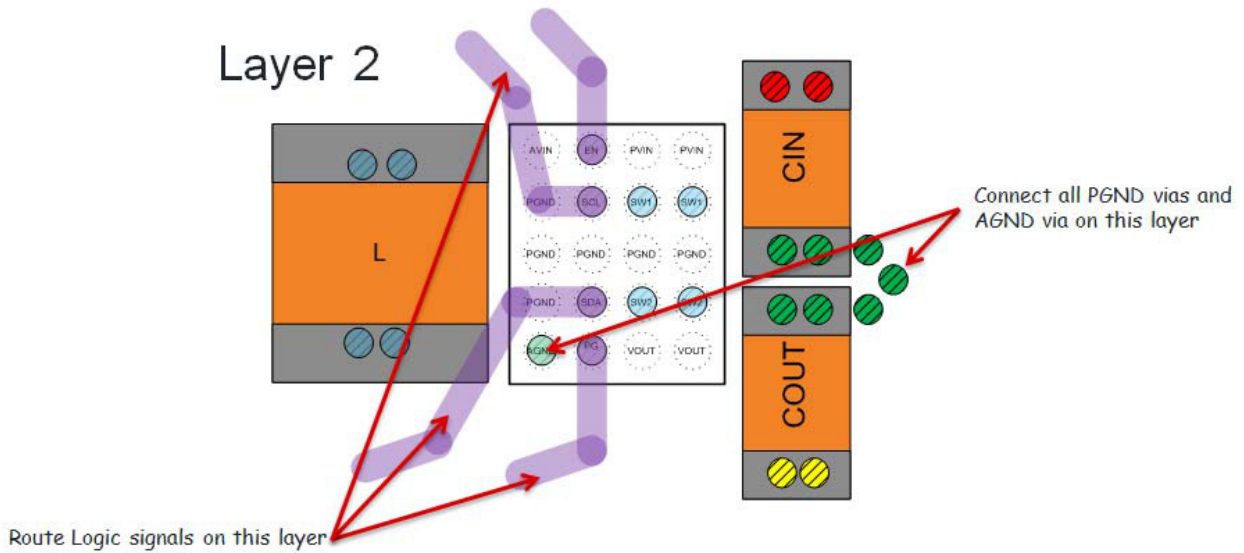


Figure 32. Layer 2 Routing for FAN49100

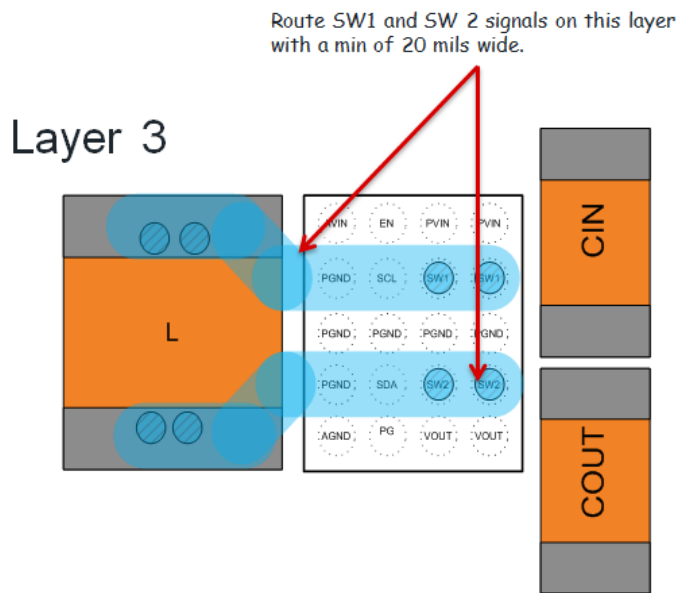


Figure 33. Layer 3 Routing for FAN49100

**Table 11. PHYSICAL DIMENSIONS** This table information applies to the Package drawing on the following page.

Product	D	E	X	Y
FAN49100AUC330X	2.015 ±0.030	1.615 ±0.030	0.2075	0.2075
FAN49100AUC360X	2.015 ±0.030	1.615 ±0.030	0.2075	0.2075

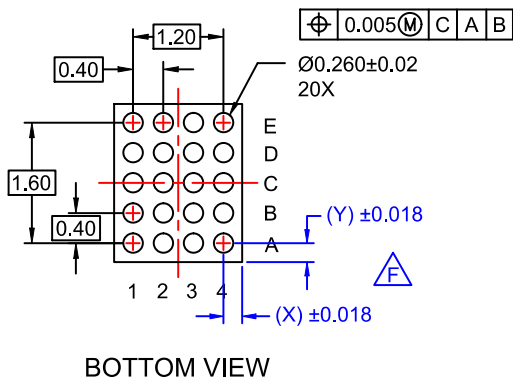
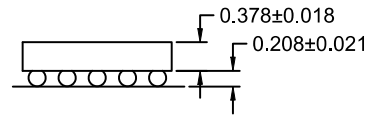
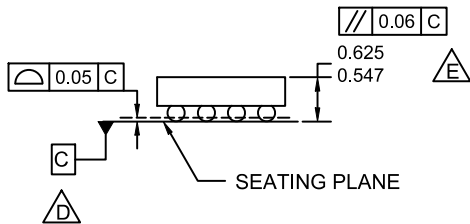
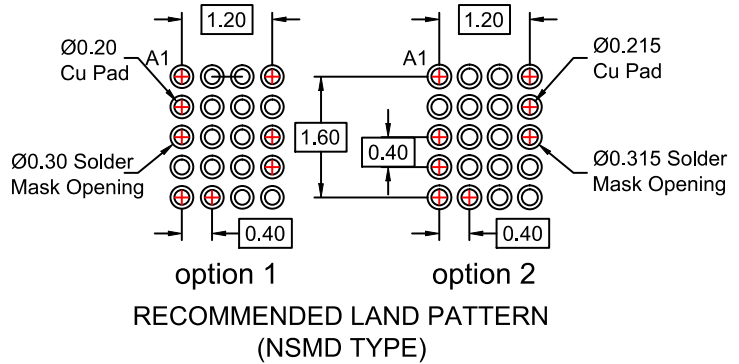
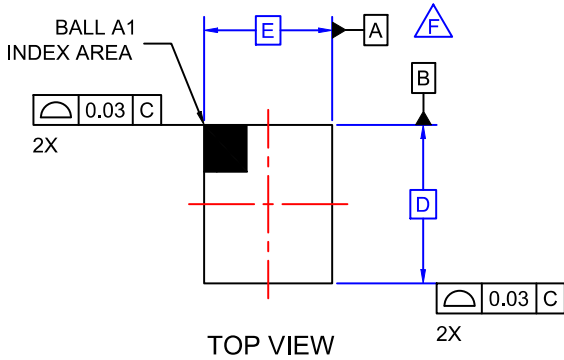
TinyPower is a trademark of Semiconductor Components Industries, LLC (SCILLC) or its subsidiaries in the United States and/or other countries.  
ON Semiconductor is licensed by the Philips Corporation to carry the I<sup>2</sup>C bus protocol.





**WLCSP20 2.015x1.615x0.586**  
CASE 567QK  
ISSUE O

DATE 31 OCT 2016



**NOTES:**

- A. NO JEDEC REGISTRATION APPLIES.
- B. DIMENSIONS ARE IN MILLIMETERS.
- C. DIMENSIONS AND TOLERANCE PER ASMEY14.5M, 2009.
- D. DATUM C IS DEFINED BY THE SPHERICAL CROWNS OF THE BALLS.
- E. PACKAGE NOMINAL HEIGHT IS 586 MICRONS ±39 MICRONS (547-625 MICRONS).
- F. FOR DIMENSIONS D, E, X, AND Y SEE PRODUCT DATASHEET.

<b>DOCUMENT NUMBER:</b>	<b>98AON13330G</b>	Electronic versions are uncontrolled except when accessed directly from the Document Repository. Printed versions are uncontrolled except when stamped "CONTROLLED COPY" in red.
<b>DESCRIPTION:</b>	<b>WLCSP20 2.015x1.615x0.586</b>	<b>PAGE 1 OF 1</b>

ON Semiconductor and are trademarks of Semiconductor Components Industries, LLC dba ON Semiconductor or its subsidiaries in the United States and/or other countries. ON Semiconductor reserves the right to make changes without further notice to any products herein. ON Semiconductor makes no warranty, representation or guarantee regarding the suitability of its products for any particular purpose, nor does ON Semiconductor assume any liability arising out of the application or use of any product or circuit, and specifically disclaims any and all liability, including without limitation special, consequential or incidental damages. ON Semiconductor does not convey any license under its patent rights nor the rights of others.



ON Semiconductor and  are trademarks of Semiconductor Components Industries, LLC dba ON Semiconductor or its subsidiaries in the United States and/or other countries. ON Semiconductor owns the rights to a number of patents, trademarks, copyrights, trade secrets, and other intellectual property. A listing of ON Semiconductor's product/patent coverage may be accessed at [www.onsemi.com/site/pdf/Patent-Marking.pdf](http://www.onsemi.com/site/pdf/Patent-Marking.pdf). ON Semiconductor reserves the right to make changes without further notice to any products herein. ON Semiconductor makes no warranty, representation or guarantee regarding the suitability of its products for any particular purpose, nor does ON Semiconductor assume any liability arising out of the application or use of any product or circuit, and specifically disclaims any and all liability, including without limitation special, consequential or incidental damages. Buyer is responsible for its products and applications using ON Semiconductor products, including compliance with all laws, regulations and safety requirements or standards, regardless of any support or applications information provided by ON Semiconductor. "Typical" parameters which may be provided in ON Semiconductor data sheets and/or specifications can and do vary in different applications and actual performance may vary over time. All operating parameters, including "Typicals" must be validated for each customer application by customer's technical experts. ON Semiconductor does not convey any license under its patent rights nor the rights of others. ON Semiconductor products are not designed, intended, or authorized for use as a critical component in life support systems or any FDA Class 3 medical devices or medical devices with a same or similar classification in a foreign jurisdiction or any devices intended for implantation in the human body. Should Buyer purchase or use ON Semiconductor products for any such unintended or unauthorized application, Buyer shall indemnify and hold ON Semiconductor and its officers, employees, subsidiaries, affiliates, and distributors harmless against all claims, costs, damages, and expenses, and reasonable attorney fees arising out of, directly or indirectly, any claim of personal injury or death associated with such unintended or unauthorized use, even if such claim alleges that ON Semiconductor was negligent regarding the design or manufacture of the part. ON Semiconductor is an Equal Opportunity/Affirmative Action Employer. This literature is subject to all applicable copyright laws and is not for resale in any manner.

## PUBLICATION ORDERING INFORMATION

### LITERATURE FULFILLMENT:

Email Requests to: [orderlit@onsemi.com](mailto:orderlit@onsemi.com)

ON Semiconductor Website: [www.onsemi.com](http://www.onsemi.com)

### TECHNICAL SUPPORT

North American Technical Support:  
Voice Mail: 1 800-282-9855 Toll Free USA/Canada  
Phone: 011 421 33 790 2910

### Europe, Middle East and Africa Technical Support:

Phone: 00421 33 790 2910

For additional information, please contact your local Sales Representative

