

# NCP51510

## 3 Amp $V_{TT}$ Termination Source / Sink Regulator for DDR, DDR-2, DDR-3, DDR-4

The NCP51510 is a source/sink Double Data Rate (DDR) termination regulator specifically designed for low input voltage and low-noise systems where space is a key consideration. The NCP51510 maintains a fast transient response and only requires a minimum  $V_{TT}$  load capacitance of 10  $\mu$ F for output stability. The NCP51510 supports remote sensing and all power requirements for DDR  $V_{TT}$  bus termination. The NCP51510 can also be used in low-power chipsets and graphics processor cores that require dynamically adjustable output voltages. The NCP51510 is available in the thermally-efficient DFN10 Exposed Pad package, and is rated both Green and Pb-Free.

### Features

- Generate DDR Memory Termination Voltage ( $V_{TT}$ )
- For DDR, DDR-2, DDR-3 and DDR-4 Source / Sink Currents
- Supports Loads Up to  $\pm 3$  A (Typ), Output is Over-Current Protected
- Integrated MOSFETs with Thermal Shutdown Protection
- Fast Load-Transient Response
- $P_{GOOD}$  Output Pin to Monitor Status of  $V_{TT}$  Output Regulation
- $\overline{SS}$  Input Pin for Suspend Shutdown mode
- $V_{RI}$  Input Reference for Flexible Voltage Tracking
- $V_{TTS}$  Input for Remote Sensing (Kelvin Connection)
- Built-in Soft-Start, Under Voltage Lockout
- Small, Low-Profile 10-pin, 3 x 3 mm DFN Package
- This is a Pb-Free Device

### Applications

- DDR Memory Termination
- Desktop PC's, Notebooks, and Workstations
- Servers and Networking equipment
- Telecom/Datacom, GSM Base Station
- Graphics Processor Core Supplies
- Set Top Boxes, LCD-TV/PDP-TV, Copier/Printers
- Supplies Power for Chipset/RAM as Low as 0.5 V
- Active Source/Sink Bus Termination



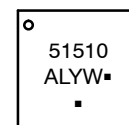
ON Semiconductor®

<http://onsemi.com>



DFN10  
CASE 485C

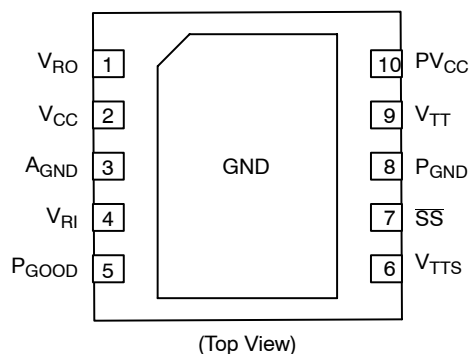
### MARKING DIAGRAM



51510 = Specific Device Code  
A = Assembly Location  
L = Wafer Lot  
Y = Year  
W = Work Week  
▪ = Pb-Free Package

(\*Note: Microdot may be in either location)

### PIN CONNECTIONS



### ORDERING INFORMATION

Device	Package	Shipping†
NCP51510MNTAG	DFN10 (Pb-Free)	3000 / Tape & Reel

†For information on tape and reel specifications, including part orientation and tape sizes, please refer to our Tape and Reel Packaging Specifications Brochure, BRD8011/D.

# NCP51510

## PIN FUNCTION DESCRIPTION

Pin Number	Pin Name	Pin Function
1	V <sub>RO</sub>	OUTPUT – Buffered Output of V <sub>RI</sub> Reference Input pin.
2	V <sub>CC</sub>	INPUT – Regulator Analog Power Input pin. Connect to the system supply voltage. Bypass V <sub>CC</sub> to A <sub>GND</sub> with a 1 μF or greater ceramic capacitor.
3	A <sub>GND</sub>	Analog Ground
4	V <sub>RI</sub>	INPUT – External Reference Input for V <sub>TT</sub> Output (see Figure 1 for typical application)
5	P <sub>GOOD</sub>	OUTPUT – V <sub>TT</sub> “Power Good” pin (open drain output)
6	V <sub>TTS</sub>	INPUT – Remote Sense Input for V <sub>TT</sub> . The V <sub>TTS</sub> pin provides accurate remote feedback sensing of the V <sub>TT</sub> output.
7	SS	INPUT – Suspend Shutdown Control Input. CMOS compatible. Logic HIGH = enable, logic LOW = shutdown. Connect to VDDQ for normal operation.
8	P <sub>GND</sub>	Power Ground. Internally connected to Low-side MOSFET
9	V <sub>TT</sub>	OUTPUT – Regulated Power Output pin
10	PV <sub>CC</sub>	INPUT – Regulator Power Input pin. Internally connected to High-side MOSFET
–	THERMAL PAD	Pad for thermal connection. The exposed pad must be connected to the ground plane using multiple vias for maximum power dissipation performance.

## ABSOLUTE MAXIMUM RATINGS

Rating	Symbol	Value	Unit	
PV <sub>CC</sub> to P <sub>GND</sub>	(Note 1)	–	–0.3 to 4.3	V
V <sub>CC</sub> to A <sub>GND</sub>	(Note 1)	V <sub>CC</sub>	–0.3 to 4.3	
V <sub>RI</sub> , V <sub>RO</sub> , SS, P <sub>GOOD</sub> to A <sub>GND</sub>	(Note 1)	–	–0.3 to (V <sub>CC</sub> + 0.3)	
V <sub>TT</sub> to P <sub>GND</sub>	(Note 1)	–	–0.3 to (PV <sub>CC</sub> + 0.3)	
V <sub>TTS</sub> to A <sub>GND</sub>	(Note 1)	V <sub>TTS</sub>	–0.3 to (PV <sub>CC</sub> + 0.3)	
P <sub>GND</sub> to A <sub>GND</sub>		P <sub>GND</sub>	–0.3 to +0.3	
Storage Temperature	T <sub>stg</sub>		–65 to 150	°C
Operating Junction Temperature Range	T <sub>J</sub>		–40 to 125	
ESD Capability, Human Body Model	(Note 2)	ESD <sub>HBM</sub>	2000	V
ESD Capability, Machine Model	(Note 2)	ESD <sub>MM</sub>	200	V
V <sub>TT</sub> Output Continuous RMS Current	100 sec	–	±1.6	A
	1 sec		±2.5	

Stresses exceeding those listed in the Maximum Ratings table may damage the device. If any of these limits are exceeded, device functionality should not be assumed, damage may occur and reliability may be affected.

1. Refer to ELECTRICAL CHARACTERISTICS and APPLICATION INFORMATION for Safe Operating Area.
2. This device series incorporates ESD protection and is tested by the following methods:  
 ESD Human Body Model tested per AEC-Q100-002 (EIA/JESD22-A114)  
 ESD Machine Model tested per AEC-Q100-003 (EIA/JESD22-A115)  
 Latchup Current Maximum Rating tested per JEDEC standard: JESD78.

## DISSIPATION RATINGS

Package	T <sub>A</sub> = 70°C Power Rate	Derating Factor Above T <sub>A</sub> = 70°C
10-Pin DFN	1951 mW	24.4 mW / °C

# NCP51510

## RECOMMENDED OPERATING CONDITIONS

Rating	Symbol	Value	Unit
V <sub>TT</sub> Output Voltage Range	V <sub>TT</sub> , V <sub>TTS</sub>	0.5 to 1.5	V
PV <sub>CC</sub> Input Voltage Range (Power)	PV <sub>CC</sub>	1.1 to 3.6	
V <sub>CC</sub> Input Voltage Range (Analog)	V <sub>CC</sub>	2.7 to 3.6	
Logic Voltage Range	$\overline{SS}$ , P <sub>GOOD</sub>	0 to V <sub>CC</sub>	
Operating Ambient Temperature Range	T <sub>A</sub>	-40 to +125	°C

Functional operation above the stresses listed in the Recommended Operating Ranges is not implied. Extended exposure to stresses beyond the Recommended Operating Ranges limits may affect device reliability.

## ELECTRICAL CHARACTERISTICS

PV<sub>CC</sub> = 1.8 V; V<sub>CC</sub> = 3.3 V; V<sub>RI</sub> = V<sub>TTS</sub> = 1.25 V;  $\overline{SS}$  = V<sub>CC</sub>; (circuit of Figure 1, -40°C ≤ (T<sub>J</sub> = T<sub>A</sub>) ≤ 125°C; unless otherwise noted. Typical values are at T<sub>A</sub> = +25°C

Parameter	Conditions	Symbol	Min	Typ	Max	Unit
-----------	------------	--------	-----	-----	-----	------

### OUTPUT

V <sub>TT</sub> Output Voltage Range	PV <sub>CC</sub> > (V <sub>TT</sub> + V <sub>DROPOUT</sub> )	V <sub>TT</sub>	0.5		1.5	V
V <sub>TT</sub> Load Regulation	-1 A ≤ I <sub>TT</sub> ≤ +1 A	ΔV <sub>LOAD</sub>	-4		+4	mV
V <sub>TT</sub> Line-Regulation	1.4 V ≤ PV <sub>CC</sub> ≤ 3.3 V, I <sub>OUT</sub> = ±100 mA	ΔV <sub>LINE</sub>		1		
Feedback-Voltage Error	V <sub>RI</sub> to V <sub>TTS</sub> , I <sub>TT</sub> = ±200 mA T <sub>A</sub> = -40°C to 125°C	V <sub>TTS</sub>	-17		+17	
V <sub>TT</sub> Current Slew Rate	C <sub>OUT</sub> = 100 μF, I <sub>TT</sub> = 0.1 A to 2 A	I <sub>TT</sub> di/dt		3		A/μs
V <sub>TT</sub> Output Power-Supply Rejection Ratio	10 Hz < f < 10 kHz, I <sub>TT</sub> = 200 mA, C <sub>OUT</sub> = 100 μF	PSRR		80		dB
V <sub>TT</sub> Output MOSFET R <sub>DS(on)</sub>	High-side (source) (I <sub>TT</sub> = +100 mA)	R <sub>DS(on)</sub>		140	250	mΩ
	Low-side (sink) (I <sub>TT</sub> = -100 mA)			140	250	
V <sub>TT</sub> Output-to-V <sub>TTS</sub> Input	Internal Feedback Resistance	R <sub>FB</sub>		12		kΩ
Discharge MOSFET R <sub>DS(on)</sub>	$\overline{SS}$ = 0 V	R <sub>DIS</sub>		8		Ω

### SUPPLY CURRENT

Quiescent PV <sub>CC</sub> Current	No Load	I <sub>PVCC</sub>		0.4	10	mA
Quiescent V <sub>CC</sub> Current	V <sub>RI</sub> > 0.45 V, No Load	I <sub>CC</sub>		0.7	1.3	
Shutdown PV <sub>CC</sub> Current	$\overline{SS}$ = 0 V	I <sub>PVCC SD</sub>		0.1	10	μA
Shutdown V <sub>CC</sub> Current	$\overline{SS}$ = 0V, V <sub>RI</sub> = 0 V	I <sub>CC SD</sub>		50	100	
	$\overline{SS}$ = 0V, V <sub>RI</sub> > 0.45 V			350	600	

### REFERENCE

V <sub>RI</sub> Input Voltage Range		V <sub>RI</sub>	0.5		1.5	V
V <sub>RI</sub> Input-Bias current	T <sub>A</sub> = +25°C	I <sub>RI</sub>	-1		+1	μA
V <sub>RO</sub> Output Voltage	V <sub>CC</sub> = 3.3 V, I <sub>RO</sub> = 0	V <sub>RO</sub>	V <sub>RI</sub> -10	V <sub>RI</sub>	V <sub>RI</sub> +10	mV
V <sub>RO</sub> Load Regulation	I <sub>RO</sub> = ±5 mA	ΔV <sub>RO</sub>	-20		+20	

### SUSPEND SHUTDOWN

$\overline{SS}$ - Suspend Shutdown Logic Input Threshold	$\overline{SS}$ Logic HI (V <sub>TT</sub> Output Enabled)	V <sub>IH</sub>	2.0			V
	$\overline{SS}$ Logic LOW (V <sub>TT</sub> Suspended)	V <sub>IL</sub>			0.8	
$\overline{SS}$ - Logic Input Current	$\overline{SS}$ = V <sub>CC</sub> or 0 V, T <sub>A</sub> = +25°C	I <sub>SS</sub>	-1		+1	μA

### FAULT CONDITION - CURRENT LIMIT

Current-Limit Threshold	T <sub>A</sub> = -40°C to +125°C	I <sub>TT LIMIT</sub>	1.8	3	4.2	A
Soft-start Current-limit time		T <sub>SS</sub>		200		μs

# NCP51510

## ELECTRICAL CHARACTERISTICS

$PV_{CC} = 1.8\text{ V}$ ;  $V_{CC} = 3.3\text{ V}$ ;  $V_{RI} = V_{TTS} = 1.25\text{ V}$ ;  $\overline{SS} = V_{CC}$ ; (circuit of Figure 1,  $-40^{\circ}\text{C} \leq (T_J = T_A) \leq 125^{\circ}\text{C}$ ; unless otherwise noted. Typical values are at  $T_A = +25^{\circ}\text{C}$  (continued)

Parameter	Conditions	Symbol	Min	Typ	Max	Unit
<b>FAULT CONDITION – UNDER-VOLTAGE LOCKOUT</b>						
V <sub>CC</sub> UVLO Threshold	Wake-up, rising edge	V <sub>CC UVLO</sub>	2.50	2.70	2.90	V
	Hysteresis Voltage	–		100		mV
PV <sub>CC</sub> UVLO Threshold	Wake-up, rising edge	PV <sub>CC UVLO</sub>		0.9	1.1	V
	Hysteresis Voltage	–		55		mV
V <sub>RI</sub> UVLO Voltage	V <sub>RI</sub> , rising edge	V <sub>RI UVLO</sub>		350	450	
	Hysteresis Voltage	–		50		

## FAULT CONDITION – THERMAL SHUTDOWN

Thermal Shutdown Temperature	Thermal Shutdown, rising edge	T <sub>SD</sub>		165		°C
Thermal Shutdown Hysteresis	Hysteresis Temperature	T <sub>SH</sub>		15		

## FAULT CONDITION – POWER GOOD

P <sub>GOOD</sub> Lower trip threshold	With respect to feedback threshold, hysteresis = 12 mV	–	–200	–150	–100	mV
P <sub>GOOD</sub> Upper trip threshold		–	100	150	200	
P <sub>GOOD</sub> Output Low Voltage	I <sub>SINK</sub> = 4 mA (P <sub>GOOD</sub> MOSFET = On)	–			300	
P <sub>GOOD</sub> start-up delay	Start-up rising edge, V <sub>TTS</sub> within ±100 mV of the feedback threshold	–	1	2	3.5	ms
P <sub>GOOD</sub> Propagation Delay	V <sub>TTS</sub> forced 25 mV beyond P <sub>GOOD</sub> trip threshold	T <sub>PGOOD</sub>	5	10	35	μs
P <sub>GOOD</sub> Leakage Current	V <sub>TTS</sub> = V <sub>RI</sub> (P <sub>GOOD</sub> Hi-impedance), P <sub>GOOD</sub> = V <sub>CC</sub> + 0.3 V, T <sub>A</sub> = +25°C	I <sub>PGOOD</sub>			1	μA

Product parametric performance is indicated in the Electrical Characteristics for the listed test conditions, unless otherwise noted. Product performance may not be indicated by the Electrical Characteristics if operated under different conditions.

## General\*

The NCP51510 is a source/sink tracking termination regulator specifically designed for low input voltage and low external component count systems where space is a key application parameter. The NCP51510 integrates a high-performance, low-dropout (LDO) linear regulator that is capable of both sourcing and sinking current. The LDO regulator employs a fast feedback loop so that small ceramic capacitors can be used to support the fast load transient response. To achieve tight regulation with minimum effect of trace resistance, a remote sensing input ( $V_{TTS}$ ) should be connected to the positive terminal of the output capacitors as a separate trace from the high current path of the  $V_{TT}$  output.

## Generation of Internal Voltage Reference

The  $V_{TT}$  output voltage is regulated to (and tracks with) the voltage on the  $V_{RI}$  Reference input. When the  $V_{RI}$  input is configured for standard DDR termination applications, the  $V_{RI}$  Reference input can be set by an external equivalent ratio voltage divider connected to the memory supply bus ( $V_{DDQ}$ ). The NCP51510 supports  $V_{TT}$  voltages from 0.5 V to 1.5 V.

## Generation of Internal Voltage Reference (cont)

When the  $V_{RO}$  output is configured for DDR termination applications, it provides a separate  $V_{TT}$  output reference voltage for the memory application. The  $V_{RO}$  Reference Output pin is a buffered version of the  $V_{RI}$  Reference Input, and is capable of sourcing and sinking a load of  $\pm 5$  mA. The  $V_{RO}$  output becomes active when the  $V_{RI}$  input  $> 0.45$  V and the  $V_{CC}$  power rail is above the UVLO threshold. The  $V_{RO}$  Reference Output is independent of the  $\overline{SS}$  pin (Suspend Shutdown) state.

## Fault Detection and Shutdown Function

When the  $\overline{SS}$  “Suspend Shutdown” input pin is driven high, the NCP51510 regulator begins normal operation, with the Soft Start circuit gradually increasing output current during the first 200  $\mu$ s in order to reduce the input

surge currents at startup, with full current available after the 200  $\mu$ s Soft-Start circuitry has timed out.

When the  $\overline{SS}$  input is driven low, the  $V_{TT}$  output is discharged to  $P_{GND}$  through an internal 8  $\Omega$  MOSFET. The  $V_{RO}$  output remains on when the  $\overline{SS}$  input is driven low. The NCP51510 provides an open-drain  $P_{GOOD}$  “Power Good” output that goes high when the  $V_{TTS}$  Sense input is within  $\pm 150$  mV of the  $V_{RI}$  Reference Input. The  $P_{GOOD}$  output de-asserts within 10  $\mu$ s after the  $V_{TTS}$  Sense input exceeds the size of the  $P_{GOOD}$  window. During initial  $V_{TT}$  startup,  $P_{GOOD}$  asserts high 2 ms after the  $V_{TTS}$  Sense input enters  $P_{GOOD}$  window. Because the  $P_{GOOD}$  output is open-drain, an external pull-up resistor is required (100  $k\Omega^*$ ) between  $P_{GOOD}$  and a stable active supply voltage rail.

## Thermal Shutdown with Hysteresis

If the NCP51510 is to operate in elevated temperatures for long durations, care should be taken to ensure that the maximum operating junction temperature is not exceeded. To guarantee safe operation, the NCP51510 provides on-chip thermal shutdown protection. When the chip junction temperature exceeds 165°C\*, the part will shutdown. When the junction temperature falls back, to 150°C\*, the device resumes normal operation. If the junction temperature exceeds the thermal shutdown threshold, the  $V_{TT}$  output is shut off, discharged by the 8  $\Omega$  internal discharge MOSFET.

## Output Capacitor

Output stability is guaranteed for  $V_{TT}$  output capacitance  $C_{OUT}$  from 10  $\mu$ F to 220  $\mu$ F. The ESR of  $C_{OUT}$  between 2 m $\Omega$  and 50 m $\Omega$  is required to maintain stability. Use the formula below to calculate the application’s transient response:

$$\Delta I_{TT(pp)} \times ESR = \Delta V_{TT(pp)}$$

Where:

$\Delta I_{TT(pp)}$  is the maximum peak-to-peak load current delta and  $\Delta V_{TT(pp)}$  is the allowable peak-to-peak voltage tolerance.

---

\*Typical values are used with the application description text. Please refer to the Electrical Specifications Table for a more detailed list of MIN, MAX and TYPICAL values.

# NCP51510

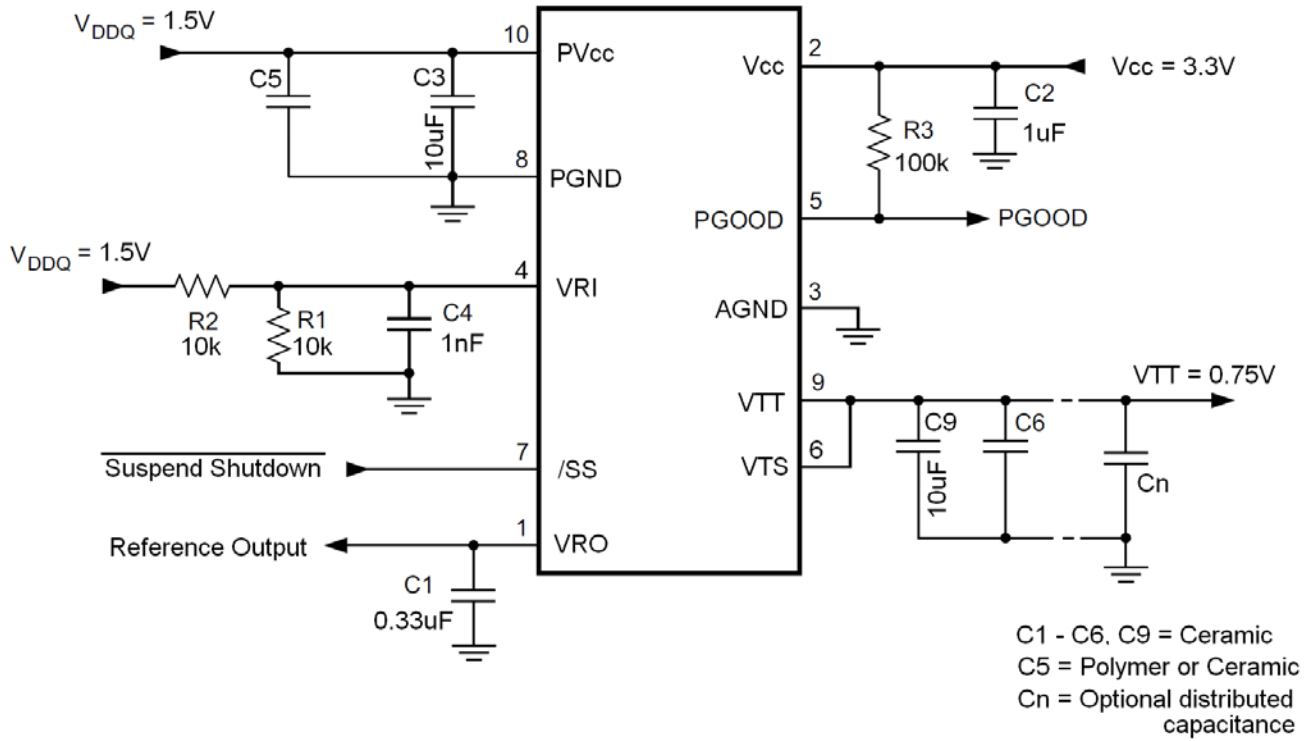
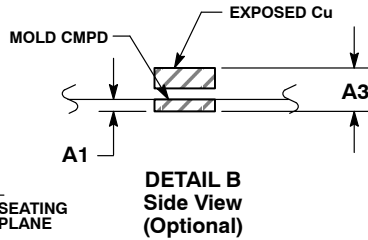
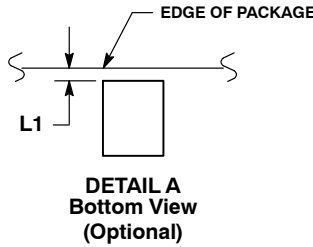
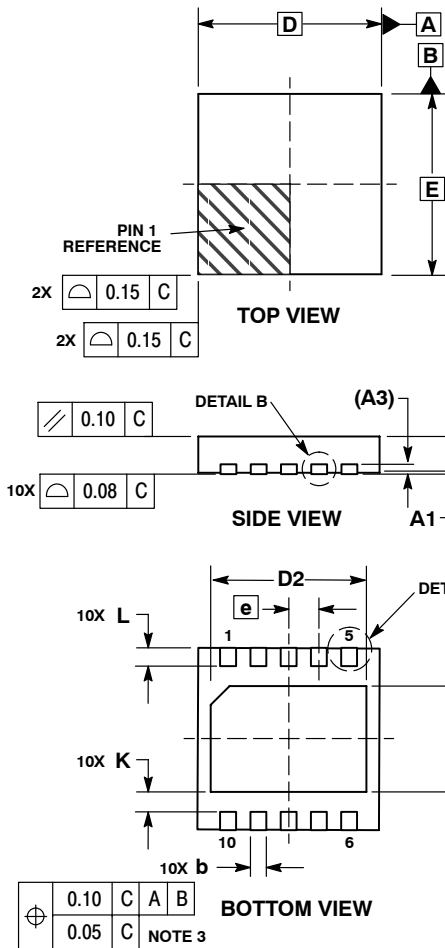


Figure 1. Standard Application Schematic for NCP51510

# NCP51510

## PACKAGE DIMENSIONS

### DFN10, 3x3, 0.5P CASE 485C ISSUE C

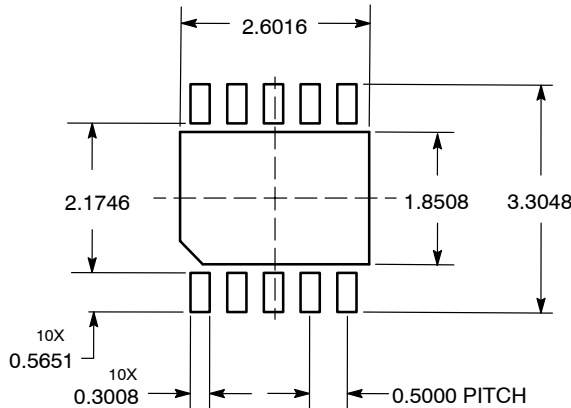


**NOTES:**

1. DIMENSIONING AND TOLERANCING PER ASME Y14.5M, 1994.
2. CONTROLLING DIMENSION: MILLIMETERS.
3. DIMENSION b APPLIES TO PLATED TERMINAL AND IS MEASURED BETWEEN 0.25 AND 0.30 MM FROM TERMINAL.
4. COPLANARITY APPLIES TO THE EXPOSED PAD AS WELL AS THE TERMINALS.
5. TERMINAL b MAY HAVE MOLD COMPOUND MATERIAL ALONG SIDE EDGE. MOLD FLASHING MAY NOT EXCEED 30 MICRONS ONTO BOTTOM SURFACE OF TERMINAL b.
6. DETAILS A AND B SHOW OPTIONAL VIEWS FOR END OF TERMINAL LEAD AT EDGE OF PACKAGE.
7. FOR DEVICE OPN CONTAINING W OPTION, DETAIL B ALTERNATE CONSTRUCTION IS NOT APPLICABLE.

MILLIMETERS		
DIM	MIN	MAX
A	0.80	1.00
A1	0.00	0.05
A3	0.20	REF
b	0.18	0.30
D	3.00	BSC
D2	2.40	2.60
E	3.00	BSC
E2	1.70	1.90
e	0.50	BSC
K	0.19	TYP
L	0.35	0.45
L1	0.00	0.03

### SOLDERING FOOTPRINT\*



DIMENSIONS: MILLIMETERS

\*For additional information on our Pb-Free strategy and soldering details, please download the ON Semiconductor Soldering and Mounting Techniques Reference Manual, SOLDERRM/D.

ON Semiconductor and are registered trademarks of Semiconductor Components Industries, LLC (SCILLC). SCILLC owns the rights to a number of patents, trademarks, copyrights, trade secrets, and other intellectual property. A listing of SCILLC's product/patent coverage may be accessed at [www.onsemi.com/site/pdf/Patent-Marking.pdf](http://www.onsemi.com/site/pdf/Patent-Marking.pdf). SCILLC reserves the right to make changes without further notice to any products herein. SCILLC makes no warranty, representation or guarantee regarding the suitability of its products for any particular purpose, nor does SCILLC assume any liability arising out of the application or use of any product or circuit, and specifically disclaims any and all liability, including without limitation special, consequential or incidental damages. "Typical" parameters which may be provided in SCILLC data sheets and/or specifications can and do vary in different applications and actual performance may vary over time. All operating parameters, including "Typicals" must be validated for each customer application by customer's technical experts. SCILLC does not convey any license under its patent rights nor the rights of others. SCILLC products are not designed, intended, or authorized for use as components in systems intended for surgical implant into the body, or other applications intended to support or sustain life, or for any other application in which the failure of the SCILLC product could create a situation where personal injury or death may occur. Should Buyer purchase or use SCILLC products for any such unintended or unauthorized application, Buyer shall indemnify and hold SCILLC and its officers, employees, subsidiaries, affiliates, and distributors harmless against all claims, costs, damages, and expenses, and reasonable attorney fees arising out of, directly or indirectly, any claim of personal injury or death associated with such unintended or unauthorized use, even if such claim alleges that SCILLC was negligent regarding the design or manufacture of the part. SCILLC is an Equal Opportunity/Affirmative Action Employer. This literature is subject to all applicable copyright laws and is not for resale in any manner.

### PUBLICATION ORDERING INFORMATION

**LITERATURE FULFILLMENT:**  
Literature Distribution Center for ON Semiconductor  
P.O. Box 5163, Denver, Colorado 80217 USA  
Phone: 303-675-2175 or 800-344-3860 Toll Free USA/Canada  
Fax: 303-675-2176 or 800-344-3867 Toll Free USA/Canada  
Email: [orderlit@onsemi.com](mailto:orderlit@onsemi.com)

**N. American Technical Support:** 800-282-9855 Toll Free  
USA/Canada  
**Europe, Middle East and Africa Technical Support:**  
Phone: 421 33 790 2910  
**Japan Customer Focus Center**  
Phone: 81-3-5817-1050

**ON Semiconductor Website:** [www.onsemi.com](http://www.onsemi.com)  
**Order Literature:** <http://www.onsemi.com/orderlit>  
For additional information, please contact your local Sales Representative

# Mouser Electronics

Authorized Distributor

Click to View Pricing, Inventory, Delivery & Lifecycle Information:

[ON Semiconductor:](#)

[NCP51510MNTWG](#)