

# DAC874xH HART<sup>®</sup> 和 FOUNDATION Fieldbus<sup>™</sup> 以及 PROFIBUS PA 调制解调器

## 1 特性

- 兼容 HART 的物理层调制解调器
  - 1200Hz、2200Hz HART FSK 正弦波
  - TX 信号振幅的寄存器编程控制（仅适用于 DAC8741H）
  - 集成式 RX 解调器和带通滤波器，具有极少的外部组件
- 兼容 FOUNDATION 现场总线的 H1 控制器和介质连接单元 (MAU)
  - 基于曼彻斯特编码总线供电 (MBP) 的 31.25kbit/s 通信
  - 集成曼彻斯特编码器和解码器
  - 与 PROFIBUS PA 兼容
- 低静态电流：在典型工业工作温度范围（-40°C 至 +85°C）下最大值为 180μA
- 集成 1.5V 电压基准
- 灵活的时钟选项
  - 内部振荡器
  - 外部晶体振荡器
  - 外部 CMOS 时钟
- 数字接口
  - DAC8740H: UART
  - DAC8741H: SPI
- 可靠性: CRC 位错校验、看门狗计时器（仅适用于 DAC8741H）
- 宽工作温度范围: -55°C 至 +125°C
- 4mm x 4mm QFN 封装

## 2 应用

- 工业过程控制和自动化
- PLC 或 DCS I/O 模块
- 现场和传感器变送器

## 3 说明

DAC8740H 和 DAC8741H (DAC874xH) 是与 HART<sup>®</sup>、FOUNDATION 现场总线<sup>™</sup>和 PROFIBUS PA 兼容的低功耗调制解调器，设计用于工业过程控制和工业自动化应用。

在 HART 模式下，DAC874xH 集成所有必需电路，以作为一个半双工 HART 物理层调制解调器，在从配置或主配置中使用最少的外部过滤组件运行。在 FOUNDATION 现场总线模式下，DAC874xH 集成所有必需电路，以作为兼容半双工 FOUNDATION 现场总线的 H1 控制器和 MAU 运行。

在 HART、FOUNDATION 现场总线或 PROFIBUS PA 模式下，可通过 UART 接口或 SPI 接口接入的集成式 FIFO 传输来自微控制器的数据流。SPI 接口包括一个支持菊链的 SDO 引脚、各种中断以及其他扩展特性。

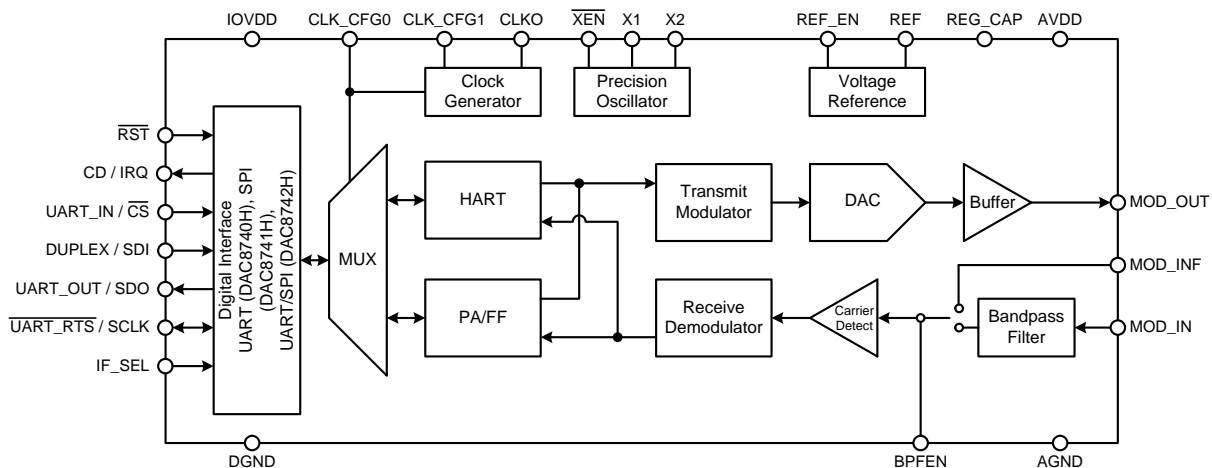
器件信息<sup>(1)</sup>

器件型号	封装	封装尺寸 (标称值)
DAC8740H	超薄四方扁平无引线 (VQFN) (24)	4mm x 4mm
DAC8741H	超薄四方扁平无引线 (VQFN) (24)	4mm x 4mm

(1) 要了解所有可用封装，请参见数据表末尾的封装选项附录。



简化原理图



目录

1	特性 .....	1	8.4	Device Functional Modes .....	19
2	应用 .....	1	8.5	Register Maps .....	23
3	说明 .....	1	<b>9</b>	<b>Application and Implementation .....</b>	<b>31</b>
4	修订历史记录 .....	2	9.1	Application Information .....	31
5	<b>Device Comparison Table .....</b>	<b>3</b>	9.2	Typical Application .....	33
6	<b>Pin Configuration and Functions .....</b>	<b>3</b>	<b>10</b>	<b>Power Supply Recommendations .....</b>	<b>37</b>
7	<b>Specifications .....</b>	<b>7</b>	<b>11</b>	<b>Layout .....</b>	<b>37</b>
7.1	Absolute Maximum Ratings .....	7	11.1	Layout Guidelines .....	37
7.2	ESD Ratings .....	7	11.2	Layout Example .....	37
7.3	Recommended Operating Conditions .....	7	<b>12</b>	<b>器件和文档支持 .....</b>	<b>39</b>
7.4	Thermal Information .....	8	12.1	文档支持 .....	39
7.5	Electrical Characteristics .....	8	12.2	相关链接 .....	39
7.6	Timing Requirements .....	11	12.3	接收文档更新通知 .....	39
7.7	Typical Characteristics .....	12	12.4	社区资源 .....	39
<b>8</b>	<b>Detailed Description .....</b>	<b>16</b>	12.5	商标 .....	39
8.1	Overview .....	16	12.6	静电放电警告 .....	39
8.2	Functional Block Diagram .....	16	12.7	Glossary .....	39
8.3	Feature Description .....	16	<b>13</b>	<b>机械、封装和可订购信息 .....</b>	<b>39</b>

4 修订历史记录

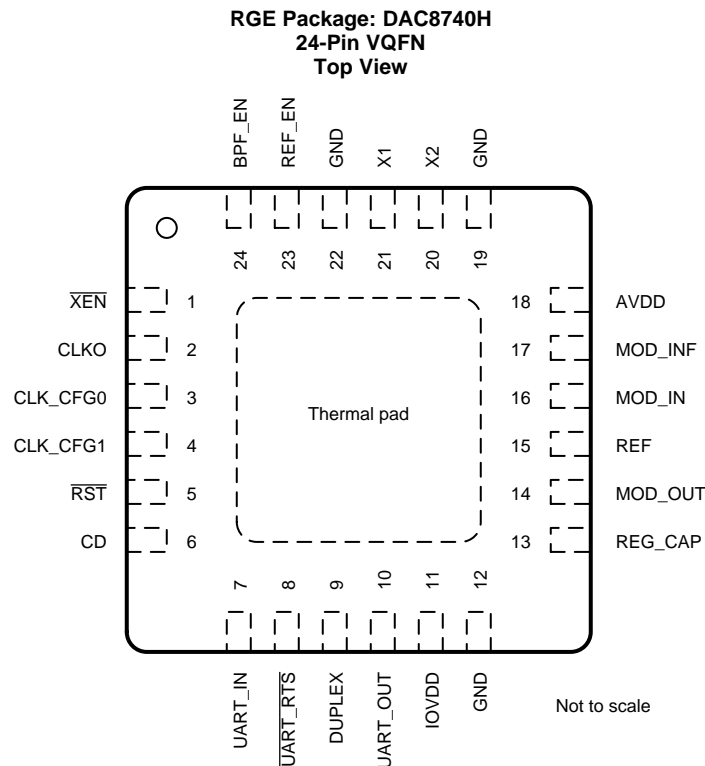
注：之前版本的页码可能与当前版本有所不同。

<b>Changes from Revision C (December 2018) to Revision D</b>		<b>Page</b>
•	Added recommended operating temperature range, $T_A$ , to the <i>Recommended Operating Conditions</i> table .....	7
•	Changed maximum temperature test conditions for all specifications in the <i>Electrical Characteristics</i> table from +125°C to +105°C .....	8
<b>Changes from Revision B (June 2018) to Revision C</b>		<b>Page</b>
•	已删除 从数据表中删除了 DAC8742H .....	1
<b>Changes from Revision A (December 2017) to Revision B</b>		<b>Page</b>
•	DAC8741H 和 DAC8742H 已发布至生产 .....	1
<b>Changes from Original (June 2017) to Revision A</b>		<b>Page</b>
•	首次公开发布的完整数据表 .....	1
•	DAC8740H 已发布至生产 .....	1

## 5 Device Comparison Table

PART NUMBER	DIGITAL INTERFACE
DAC8740H	UART
DAC8741H	SPI

## 6 Pin Configuration and Functions

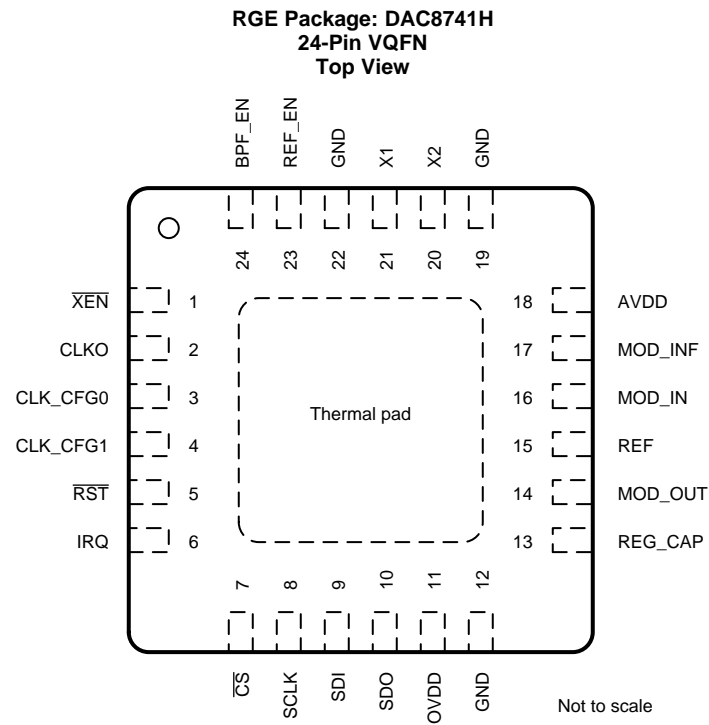


**Pin Functions: DAC8740H**

PIN		TYPE	DESCRIPTION
NO.	NAME		
1	$\overline{\text{XEN}}$	Digital input	Crystal oscillator enable. Logic low on this pin enables the crystal oscillator circuit; in this mode, an external crystal is required. Logic high on this pin disables the internal crystal oscillator circuit; in this mode an external CMOS clock or the internal oscillator are required. No digital input pin should be left floating.
2	CLKO	Digital output	Clock output. If using the internal oscillator or an external crystal, this pin can be configured as a clock output.
3	CLK_CFG0	Digital input	Clock configuration. This pin is used to configure the input/output clocking scheme. No digital input pin should be left floating.
4	CLK_CFG1	Digital input	Clock configuration. This pin is used to configure the input/output clocking scheme. No digital input pin should be left floating.
5	$\overline{\text{RST}}$	Digital input	Reset. Logic low on this pin places the DAC874xH into power-down mode and resets the device. Logic high returns the device to normal operation. No digital input pin should be left floating.
6	CD	Digital output	HART mode. Carrier detect. A logic high on this pin indicates a valid carrier is present.
			FF or PA mode. While not transmitting, a logic high on this pin indicates a valid carrier is present. While transmitting, a logic high on this pin indicates that the jabber inhibitor has triggered.

**Pin Functions: DAC8740H (continued)**

PIN		TYPE	DESCRIPTION
NO.	NAME		
7	UART_IN	Digital input	UART data input. No digital input pin should be left floating.
8	$\overline{\text{UART\_RTS}}$	Digital input, Digital output	HART mode. Request to send. A logic high on this pin enables the demodulator and disables the modulator. A logic low on this pin enables the modulator and disables the demodulator. No digital input pin should be left floating.
			FF or PA mode. This pin reports transmit FIFO threshold information as programmed by the packet initiation code.
9	DUPLEX	Digital input	Digital input. Logic high enables full-duplex, or internal loop-back, test mode. No digital input pin should be left floating.
10	UART_OUT	Digital output	UART data output
11	IOVDD	Supply	Interface supply. Supply voltage for digital input and output circuitry. This voltage sets the logical thresholds for the digital interface.
12	GND	Supply	Digital ground. Ground reference voltage for all digital circuitry of the device.
13	REG_CAP	Analog output	Capacitor for internal regulator.
14	MOD_OUT	Analog output	Modem output. FSK output sinusoid in HART mode or Manchester coded data stream in FOUNDATION Fieldbus and PROFIBUS PA modes. For stability, this pin requires parallel capacitance of 5 nF to 22 nF in HART mode, or 0 pF to 100 pF in FOUNDATION Fieldbus and PROFIBUS PA mode.
15	REF	Analog input or output	When the internal reference is enabled, this pin outputs the internal reference voltage. When the internal reference is disabled, this pin is the external 2.5-V reference input.
16	MOD_IN	Analog input	HART FSK input or FOUNDATION Fieldbus and PROFIBUS PA Manchester coded data stream input. If an external filter is used, do not connect this pin.
17	MOD_INF	Analog input	If using the internal band-pass filter, connect 680 pF to this pin in HART mode, or 120 pF in FOUNDATION Fieldbus and PROFIBUS PA modes. If using an external filter, connect the output of that filter to this pin.
18	AVDD	Supply	Power supply
19	GND	Supply	Analog ground. Ground reference voltage for power supply input.
20	X2	Analog input	Crystal stimulus
21	X1	Analog input	Crystal ro clock input
22	GND	Supply	Digital ground. Ground reference voltage for all digital circuitry of the device.
23	REF_EN	Digital input	Reference enable. Logic high enables the internal 1.5-V reference. No digital input pin should be left floating.
24	BPF_EN	Digital input	Filter enable. A logic high enables the internal band-pass filter. No digital input pin should be left floating.
Thermal pad	Thermal pad	Supply	Thermal pad. Connected to GND if connected to an electrical potential.


**Pin Functions: DAC8741H**

PIN		TYPE	DESCRIPTION
NO.	NAME		
1	$\overline{\text{XEN}}$	Digital input	Crystal oscillator enable. Logic low on this pin enables the crystal oscillator circuit; in this mode, an external crystal is required. Logic high on this pin disables the internal crystal oscillator circuit; in this mode, an external CMOS clock or the internal oscillator are required. No digital input pin should be left floating.
2	CLKO	Digital output	Clock output. If using the internal oscillator or an external crystal, this pin can be configured as a clock output.
3	CLK_CFG0	Digital input	Clock configuration. This pin is used to configure the input/output clocking scheme. No digital input pin should be left floating.
4	CLK_CFG1	Digital input	Clock Configuration. This pin is used to configure the input/output clocking scheme. No digital input pin should be left floating.
5	$\overline{\text{RST}}$	Digital input	Reset. Logic low on this pin places the DAC874xH into power-down mode and resets the device. Logic high returns the device to normal operation. No digital input pin should be left floating.
6	IRQ	Digital output	Digital Interrupt. The interrupt can be configured as edge sensitive or level sensitive with positive or negative polarity, as set by the CONTROL register. Events that trigger an interrupt are controlled by the Modem IRQ Mask register.
7	$\overline{\text{CS}}$	Digital input	SPI chip-select. Data bits are clocked into the serial shift register when CS is low. When CS is high, SDO is in a high-impedance state and data on SDI are ignored. No digital input pin should be left floating.
8	SCLK	Digital input	SPI clock. Data can be transferred at rates up to 12.5 MHz. Schmitt-Trigger logic input. No digital input pin should be left floating.
9	SDI	Digital input	SPI data input. Data are clocked into the 24-bit input shift register on the falling edge of the serial clock input. Schmitt-Trigger logic input. No digital input pin should be left floating.
10	SDO	Digital output	SPI data output. Data are valid on the falling edge of SCLK.
11	IOVDD	Supply	Interface supply. Supply voltage for digital input and output circuitry. This voltage sets the logical thresholds for the digital interface.
12	GND	Supply	Digital ground. Ground reference voltage for all digital circuitry of the device.
13	REG_CAP	Analog output	Capacitor for internal regulator

**Pin Functions: DAC8741H (continued)**

PIN		TYPE	DESCRIPTION
NO.	NAME		
14	MOD_OUT	Analog output	Modem output. FSK output sinusoid in HART mode or Manchester coded data stream in FOUNDATION Fieldbus and PROFIBUS PA modes. For stability, this pin requires parallel capacitance of 5 nF to 22 nF in HART mode, or 0 pF to 100 pF in FOUNDATION Fieldbus and PROFIBUS PA mode.
15	REF	Analog Input or output	When the internal reference is enabled, this pin outputs the internal reference voltage. When the internal reference is disabled, this pin is the external 2.5-V reference input.
16	MOD_IN	Analog input	HART FSK input or FOUNDATION Fieldbus and PROFIBUS PA Manchester coded data stream input. If an external filter is used, do not connect this pin.
17	MOD_INF	Analog input	If using the internal band-pass filter, connect 680 pF to this pin, or 120 pF in FOUNDATION Fieldbus and PROFIBUS PA modes. If using an external filter, connect the output of that filter to this pin.
18	AVDD	Supply	Power supply
19	GND	Supply	Analog ground. Ground reference voltage for power supply input.
20	X2	Analog input	Crystal stimulus
21	X1	Analog input	Crystal or clock input
22	GND	Supply	Digital ground. Ground reference voltage for all digital circuitry of the device.
23	REF_EN	Digital input	Reference enable. Logic high enables the internal 1.5-V reference. No digital input pin should be left floating.
24	BPF_EN	Digital input	Filter enable. A logic high enables the internal band-pass filter. No digital input pin should be left floating.
Thermal pad	Thermal pad	Supply	Thermal pad. Connected to GND if connected to an electrical potential.

## 7 Specifications

### 7.1 Absolute Maximum Ratings

over operating free-air temperature range (unless otherwise noted)<sup>(1)</sup>

		MIN	MAX	UNIT
Input voltage	AVDD to GND	-0.3	6	V
	IOVDD to GND	-0.3	6	
	Analog output voltage to GND	-0.3	AVDD + 0.3	
	Digital output voltage to GND	-0.3	IOVDD + 0.3	
Output voltage	Analog output pin to GND	-0.3	AVDD + 0.3	V
	Digital output pin to GND	-0.3	IOVDD + 0.3	
Input current	Input current to any pin except supply pins	-10	10	mA
Operating junction temperature, T <sub>J</sub>		-55	125	°C
Storage temperature, T <sub>stg</sub>		-60	150	°C

- (1) Stresses beyond those listed under *Absolute Maximum Ratings* may cause permanent damage to the device. These are stress ratings only, which do not imply functional operation of the device at these or any other conditions beyond those indicated under *Recommended Operating Conditions*. Exposure to absolute-maximum-rated conditions for extended periods may affect device reliability.

### 7.2 ESD Ratings

			VALUE	UNIT
V <sub>(ESD)</sub>	Electrostatic discharge	Human body model (HBM), per ANSI/ESDA/JEDEC JS-001, all pins <sup>(1)</sup>	±8000	V
		Charged device model (CDM), per JEDEC specification JESD22-C101, all pins <sup>(2)</sup>	±1500	

- (1) JEDEC document JEP155 states that 500-V HBM allows safe manufacturing with a standard ESD control process.

- (2) JEDEC document JEP157 states that 250-V CDM allows safe manufacturing with a standard ESD control process.

### 7.3 Recommended Operating Conditions

over operating free-air temperature range (unless otherwise noted)

		MIN	NOM	MAX	UNIT
<b>POWER SUPPLY</b>					
AVDD		2.7		5.5	V
IOVDD		1.71		5.5	V
<b>ANALOG INPUTS</b>					
External reference input voltage		2.375	2.5	2.625	V
<b>DIGITAL INPUTS</b>					
External clock source frequency (HART mode)	3.6864-MHz clock	3.6469	3.6864	3.7232	MHz
	1.2288-MHz clock	1.2165	1.2288	1.2411	
External clock source frequency (FF or PA modes)		3.96	4	4.04	MHz
<b>TEMPERATURE</b>					
Recommended operating temperature, T <sub>A</sub>		-40		105	°C

## 7.4 Thermal Information

THERMAL METRIC <sup>(1)</sup>		DAC8740H, DAC8741H	
		RGE	
		24 PINS	
			UNIT
$R_{\theta JA}$	Junction-to-ambient thermal resistance	32.1	°C/W
$R_{\theta JC(top)}$	Junction-to-case (top) thermal resistance	31.8	°C/W
$R_{\theta JB}$	Junction-to-board thermal resistance	9.5	°C/W
$\Psi_{JT}$	Junction-to-top characterization parameter	0.4	°C/W
$\Psi_{JB}$	Junction-to-board characterization parameter	9.6	°C/W
$R_{\theta JC(bot)}$	Junction-to-case (bottom) thermal resistance	1.7	°C/W

(1) For more information about traditional and new thermal metrics, see the [Semiconductor and IC Package Thermal Metrics application report](#).

## 7.5 Electrical Characteristics

all specifications over  $-40^{\circ}\text{C}$  to  $+105^{\circ}\text{C}$  ambient operating temperature,  $2.7\text{ V} \leq \text{AVDD} \leq 5.5\text{ V}$ ,  $1.71\text{ V} \leq \text{IOVDD} \leq 5.5\text{ V}$ , internal reference, internal filter (unless otherwise noted)

PARAMETER	TEST CONDITIONS	MIN	TYP	MAX	UNIT
<b>POWER REQUIREMENTS</b>					
<b>AVDD and IOVDD Supply Current (HART Mode)</b>					
Demodulator active	External clock, $-40^{\circ}\text{C}$ to $+85^{\circ}\text{C}$		110	150	$\mu\text{A}$
	External clock, $-55^{\circ}\text{C}$ to $+105^{\circ}\text{C}$			220	$\mu\text{A}$
	External clock, $-40^{\circ}\text{C}$ to $+85^{\circ}\text{C}$ , external reference		100	140	$\mu\text{A}$
	External clock, $-55^{\circ}\text{C}$ to $+105^{\circ}\text{C}$ , external reference			210	$\mu\text{A}$
Modulator active	External clock, $-40^{\circ}\text{C}$ to $+85^{\circ}\text{C}$		160	180	$\mu\text{A}$
	External clock, $-55^{\circ}\text{C}$ to $+105^{\circ}\text{C}$			250	$\mu\text{A}$
	External clock, $-40^{\circ}\text{C}$ to $+85^{\circ}\text{C}$ , external reference		150	170	$\mu\text{A}$
	External clock, $-55^{\circ}\text{C}$ to $+105^{\circ}\text{C}$ , external reference			240	$\mu\text{A}$
Crystal oscillator	External crystal, 16 pF at XTAL1 and XTAL2		40	65	$\mu\text{A}$
	External crystal, 36 pF at XTAL1 and XTAL2		40	65	$\mu\text{A}$
Internal oscillator	External reference		105	180	$\mu\text{A}$
SPI interface	Additional quiescent current required when interfacing via SPI (DAC8741H only)		5		$\mu\text{A}$
<b>AVDD and IOVDD Supply Current (FF/PA Mode)</b>					
Decoder active	External clock, $-40^{\circ}\text{C}$ to $+85^{\circ}\text{C}$		160	220	$\mu\text{A}$
	External clock, $-55^{\circ}\text{C}$ to $+105^{\circ}\text{C}$			330	$\mu\text{A}$
	External clock, $-40^{\circ}\text{C}$ to $+85^{\circ}\text{C}$ , external reference		175	200	$\mu\text{A}$
	External clock, $-55^{\circ}\text{C}$ to $+105^{\circ}\text{C}$ , external reference			320	$\mu\text{A}$
Encoder active	External clock, $-40^{\circ}\text{C}$ to $+85^{\circ}\text{C}$		175	250	$\mu\text{A}$
	External clock, $-55^{\circ}\text{C}$ to $+105^{\circ}\text{C}$			360	$\mu\text{A}$
	External clock, $-40^{\circ}\text{C}$ to $+85^{\circ}\text{C}$ , external reference		165	235	$\mu\text{A}$
	External clock, $-55^{\circ}\text{C}$ to $+105^{\circ}\text{C}$ , external reference			350	$\mu\text{A}$
Crystal oscillator	External crystal, 16 pF at XTAL1 and XTAL2		40	65	$\mu\text{A}$
	External crystal, 36 pF at XTAL1 and XTAL2		40	65	$\mu\text{A}$
SPI interface	Additional quiescent current required when interfacing via SPI (DAC8741H)		5		$\mu\text{A}$



## Electrical Characteristics (continued)

all specifications over  $-40^{\circ}\text{C}$  to  $+105^{\circ}\text{C}$  ambient operating temperature,  $2.7\text{ V} \leq \text{AVDD} \leq 5.5\text{ V}$ ,  $1.71\text{ V} \leq \text{IOVDD} \leq 5.5\text{ V}$ , internal reference, internal filter (unless otherwise noted)

PARAMETER	TEST CONDITIONS	MIN	TYP	MAX	UNIT
<b>AVDD and IOVDD Supply Current (All Modes)</b>					
Power-down mode	Internal reference disabled, $-40^{\circ}\text{C}$ to $+85^{\circ}\text{C}$ , no active clock input		30	60	$\mu\text{A}$
	Internal reference disabled, $-55^{\circ}\text{C}$ to $+105^{\circ}\text{C}$ , no active clock input			182	$\mu\text{A}$
<b>CLOCK REQUIREMENTS</b>					
<b>EXTERNAL CLOCK (HART MODE)</b>					
External clock source frequency	3.6864-MHz clock	3.6469	3.6864	3.7232	MHz
	1.2288-MHz clock	1.2165	1.2288	1.2411	MHz
<b>EXTERNAL CLOCK (FF/PA MODE)</b>					
External clock source frequency	4-MHz clock	3.96	4	4.04	MHz
<b>INTERNAL OSCILLATOR</b>					
Frequency	$-40^{\circ}\text{C}$ to $+105^{\circ}\text{C}$	1.2165	1.2288	1.2411	MHz
<b>VOLTAGE REFERENCE</b>					
<b>INTERNAL REFERENCE VOLTAGE</b>					
Internal reference voltage		1.47	1.5	1.53	V
Load regulation			1.3		V/mA
Capacitive load	Specified by design		1		$\mu\text{F}$
<b>OPTIONAL EXTERNAL REFERENCE VOLTAGE</b>					
External reference input voltage		2.375	2.5	2.625	V
External reference input current	Demodulator		4.5		$\mu\text{A}$
	Modulator		4.5		$\mu\text{A}$
	Internal oscillator		4.5		$\mu\text{A}$
	Power-down		4.5		$\mu\text{A}$
<b>HART MODEM</b>					
<b>MOD_IN INPUT (HART MODE)</b>					
Input voltage range	External reference source, specified by design. Signal applied at the input to the dc blocking capacitor.	0		1.5	$V_{PP}$
	Internal reference source, specified by design. Signal applied at the input to the dc blocking capacitor.	0		1.5	$V_{PP}$
Receiver sensitivity	Threshold for successful carrier detection and demodulation, assuming ideal sinusoidal input FSK signals with valid preamble using internal filter.	80	100	120	$\text{mV}_{PP}$
<b>MOD_OUT OUTPUT (HART MODE)</b>					
Output voltage	AC-coupled (2.2 $\mu\text{F}$ ), measured at MOD_OUT pin with 160- $\Omega$ load	450	460	480	$\text{mV}_{PP}$
Mark frequency	Internal oscillator		1200		Hz
Space frequency	Internal oscillator		2200		Hz
Frequency error	Internal oscillator, $-40^{\circ}\text{C}$ to $+105^{\circ}\text{C}$	-1		1	%
Phase continuity error	Specified by design			0	Degrees
Minimum resistive load	160- $\Omega$ , ac coupled with 2.2 $\mu\text{F}$ , specified by design	160			$\Omega$
Transmit impedance	RTS low, measured at the MOD_OUT pin, 1-mA measurement current		13		$\Omega$
	RTS high, measured at the MOD_OUT pin, $\pm 200$ -nA measurement current		250		$\text{k}\Omega$

**Electrical Characteristics (continued)**

all specifications over  $-40^{\circ}\text{C}$  to  $+105^{\circ}\text{C}$  ambient operating temperature,  $2.7\text{ V} \leq \text{AVDD} \leq 5.5\text{ V}$ ,  $1.71\text{ V} \leq \text{IOVDD} \leq 5.5\text{ V}$ , internal reference, internal filter (unless otherwise noted)

PARAMETER	TEST CONDITIONS	MIN	TYP	MAX	UNIT
<b>FF / PA MODEM</b>					
<b>MOD_IN INPUT (FF/PA MODE)</b>					
Input voltage range	External reference source, specified by design. Signal applied at the input to the DC blocking capacitor.	0		1	Vp-p
	Internal reference enabled, specified by design. Signal applied at the input to the DC blocking capacitor.	0		1	Vp-p
Receiver jitter tolerance	Edge-to-edge measurement of Manchester encoded waveforms	-3.2		3.2	$\mu\text{s}$
Receiver sensitivity	Threshold for successful carrier detection and decoding, assuming ideal Manchester encoded input trapezoidal signals with $6\mu\text{s}$ rise time, valid preamble byte(s) and start delimiter byte, using internal filter.	75			mVp-p
<b>MOD_OUT OUTPUT (FF/PA MODE)</b>					
Output voltage			800		mVp-p
Maximum amplitude difference	Maximum difference in positive and negative amplitude signals	-50		50	mV
Transmit bit rate		31.1875	31.25	31.3125	kbit/s
Transmit jitter	Measured with respect to ideal crossing of high time and low time	-0.8		0.8	$\mu\text{s}$
Output signal distortion	Measured peak to trough distortion for positive and negative amplitude voltage outputs	-10		10	%
Rise and fall time	10% to 90% of peak to peak signal			8	$\mu\text{s}$
Slew rate	10% to 90% of peak to peak signal			0.2	V/ $\mu\text{s}$
<b>DIGITAL REQUIREMENTS</b>					
<b>DIGITAL INPUTS</b>					
V <sub>IH</sub> , input high voltage		0.7 x IOVDD			V
V <sub>IL</sub> , input low voltage		0.3 x IOVDD			V
CLK_CFG0, input high voltage	Specified by design	0.8 x IOVDD			V
CLK_CFG0, input mid-scale voltage	Specified by design	0.4 x IOVDD		0.55 x IOVDD	V
CLK_CFG0, input low voltage	Specified by design	0.15 x IOVDD			
Input current		-1		1	$\mu\text{A}$
Input capacitance			5		pF
<b>DIGITAL OUTPUTS</b>					
VOH, output high voltage	200- $\mu\text{A}$ source or sink	IOVDD - 0.5			V
VOL, output low voltage	200- $\mu\text{A}$ source or sink			0.4	V

## 7.6 Timing Requirements

all timing conditions specified by design (unless otherwise noted)

		MIN	NOM	MAX	UNIT
SPI TIMING	SPI TIMING	SPI TIMING	SPI TIMING	SPI TIMING	SPI TIMING
$t_c$	SCLK cycle time	80			ns
$t_{w1}$	SCLK high time	32			ns
$t_{w2}$	SCLK low time	32			ns
$t_{su}$	$\overline{CS}$ to SCLK falling edge setup time	32			ns
$t_{su1}$	Data setup time	5			ns
$t_{h1}$	Data hold time	5			ns
$t_{d1}$	SCLK falling edge to $\overline{CS}$ rising edge	32			ns
$t_{w3}$	Minimum $\overline{CS}$ high time <sup>(1)</sup>	3.06			us
$t_v$	SCLK rising edge to SDO valid	32			ns
$t_{rst}$	Reset low time	100			ns
<b>HART MODE TIMING</b>					
$t_{cstart}$	Carrier start time. Time from RTS falling edge to transmit carrier reaching its first peak.			5	Bit-Times
$t_{cstop}$	Carrier stop time. Time from RTS rising edge to transmit carrier amplitude falling below the receive amplitude.			3	Bit-Times
$t_{cdecay}$	Carrier decay time. Time from RTS rising edge to carrier amplitude dropping to zero.			6	Bit-Times
$t_{cdeton}$	Carrier detect on. Time from valid carrier on receive path to CD rising edge.			6	Bit-Times
$t_{cdetoff1}$	Carrier detect off. Time from valid carrier removed on receive path to CD falling edge.			3	ms
$t_{cdetoff2}$	Carrier detect on when transitioning from transmit mode to receive mode in the presence of a constant valid receive carrier.	2.1			ms
$t_{cos1}$	Crystal oscillator power-up time from enabling the oscillator via clock configuration pins with 16-pF load capacitors.	25			ms
$t_{cos2}$	Crystal oscillator power-up time from enabling the oscillator via clock configuration pins with 36-pF load capacitors.	25			ms
$t_{ref}$	Reference power-up time from enabling via hardware pin.	10			ms
$t_{pow}$	Transition time from power-down mode to normal operating mode with external clock and external reference.	30			μs

(1) Time between two consecutive  $\overline{CS}$  rising edges must be  $\geq 3.06 \mu s$ .

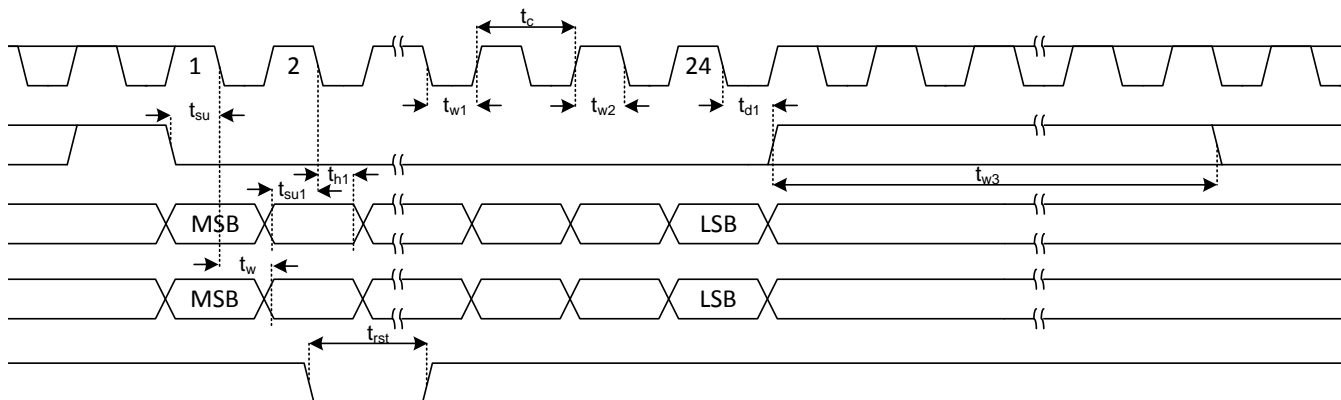
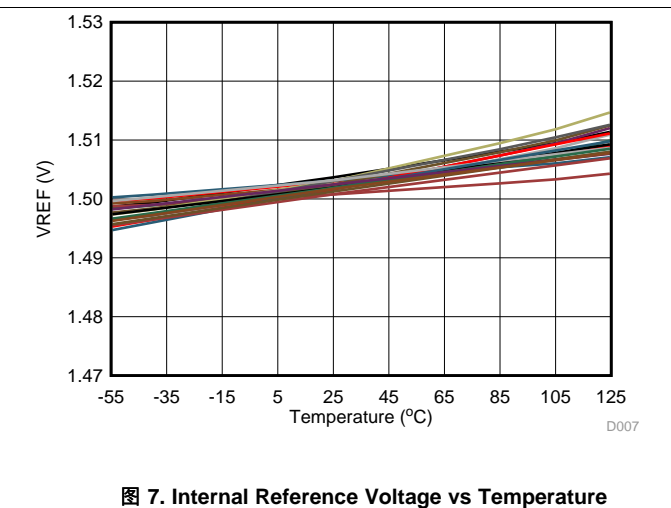
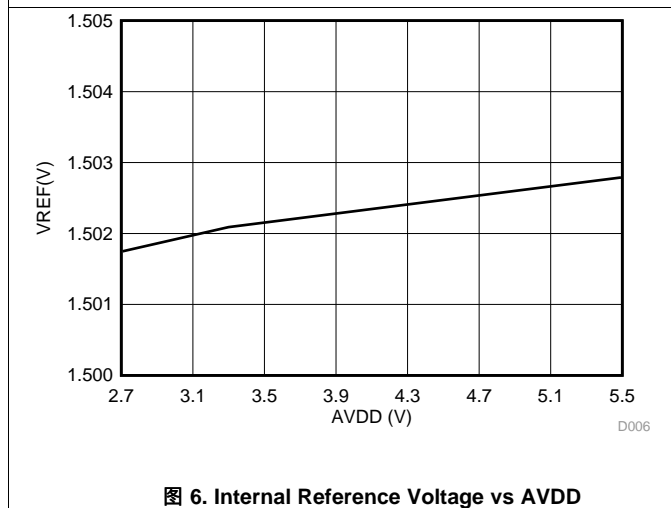
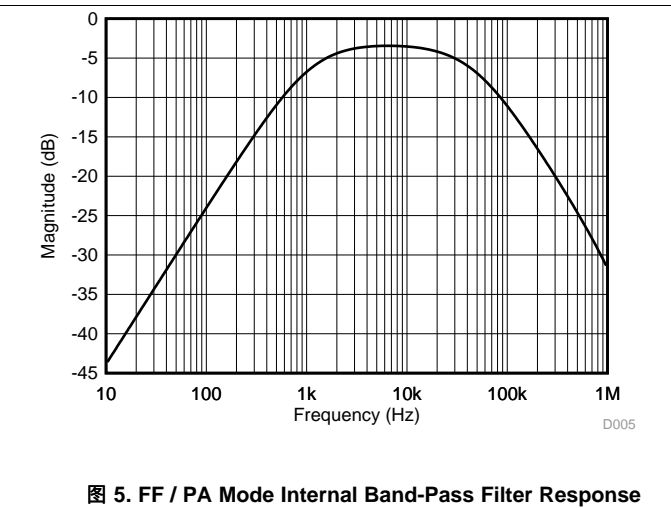
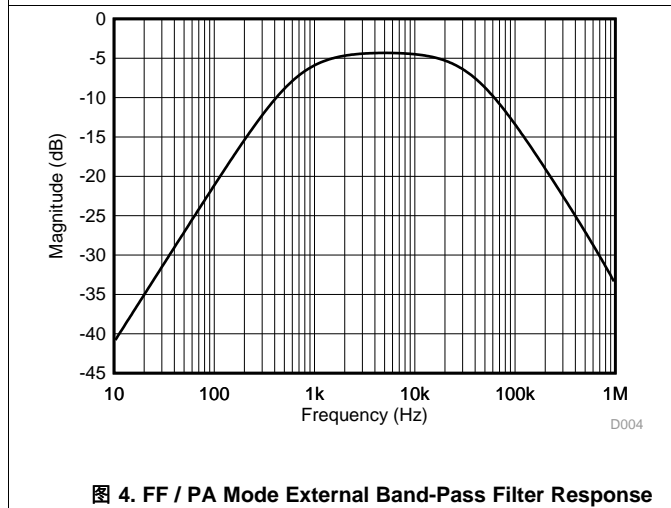
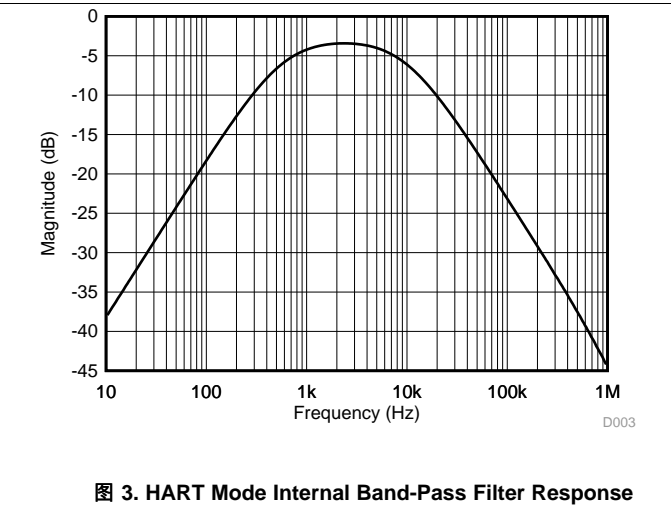
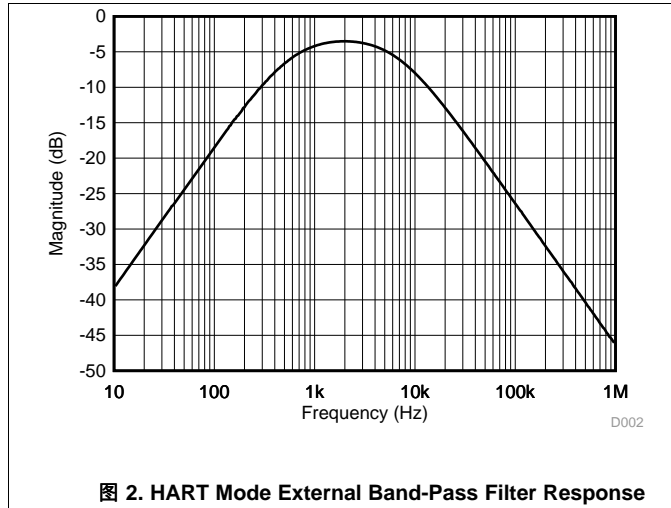
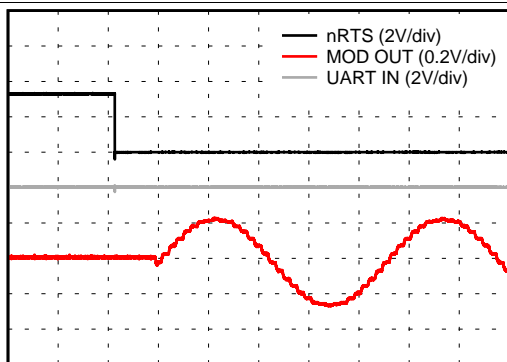


图 1. SPI Timing Diagram

## 7.7 Typical Characteristics



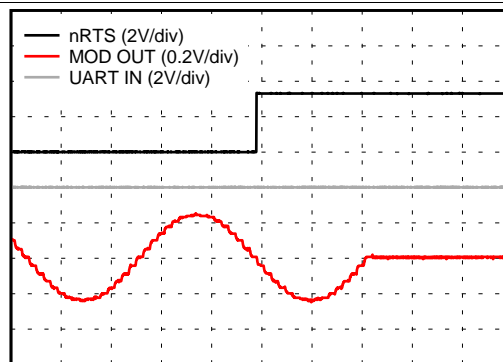
Typical Characteristics (接下页)



0.1 ms/div

D008

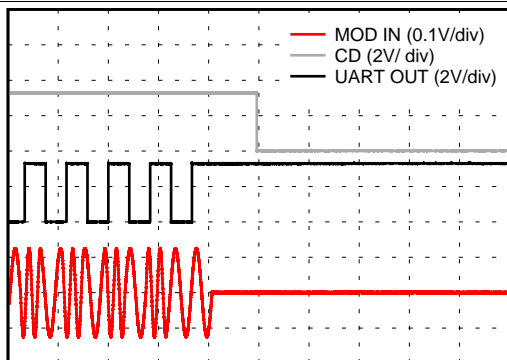
图 8. HART TX Carrier Start Time



0.1 ms/div

D009

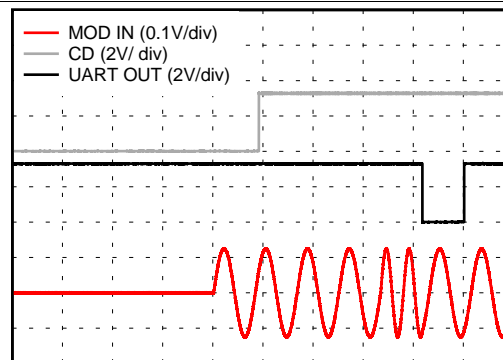
图 9. HART TX Carrier Stop / Decay Time



0.5 ms/div

D010

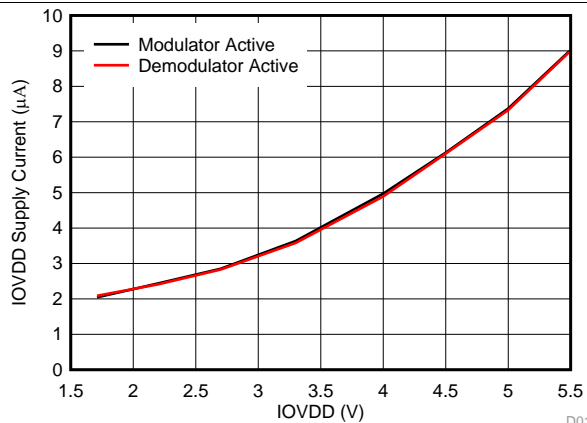
图 10. HART RX Carrier Detect Off Timing



1 ms/div

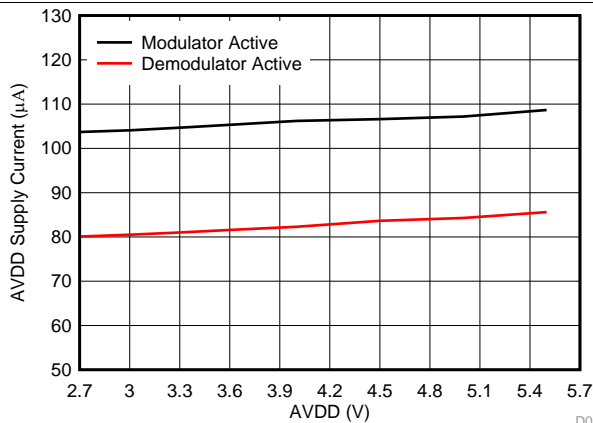
D011

图 11. HART RX Carrier Detect On Timing



D012

图 12. HART Mode IOVDD Supply Current vs Voltage With External Reference



D013

图 13. HART Mode AVDD Supply Current vs Voltage With External Reference

Typical Characteristics (接下页)

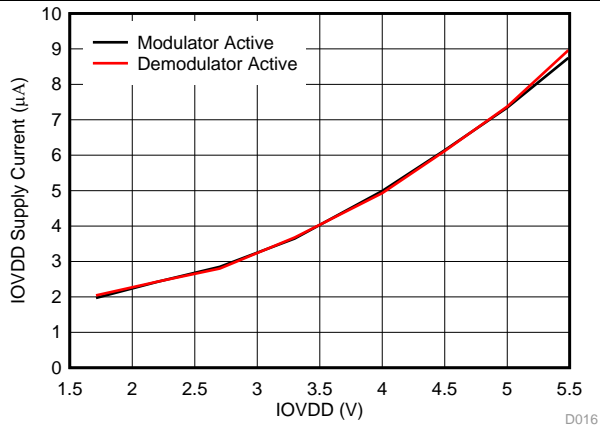


图 14. HART Mode IOVDD Supply Current vs Voltage With Internal Reference

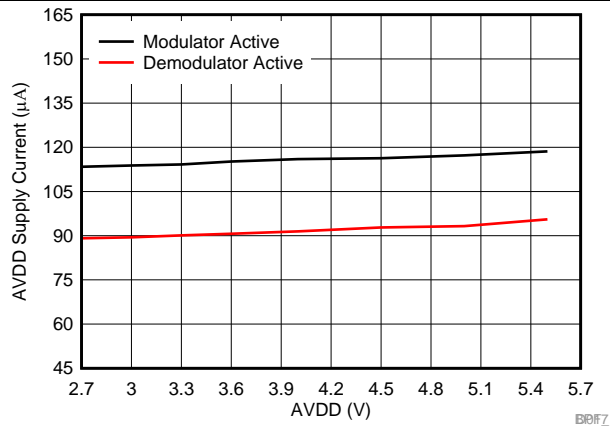


图 15. HART Mode AVDD Supply Current vs Voltage With Internal Reference

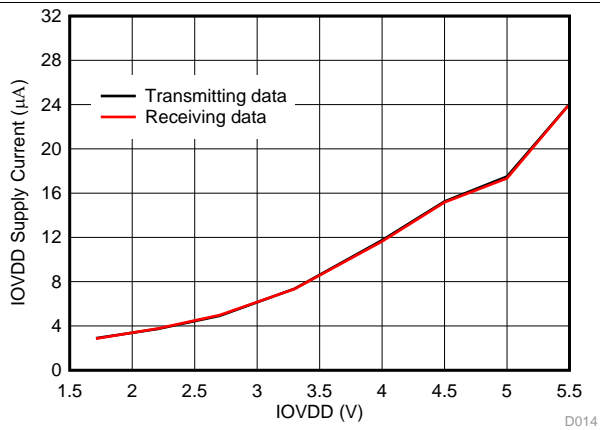


图 16. FF / PA Mode IOVDD Supply Current vs Voltage With External Reference

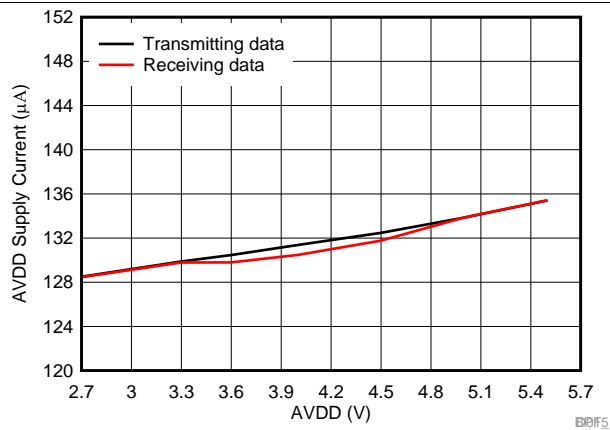


图 17. FF / PA Mode AVDD Supply Current vs Voltage With External Reference

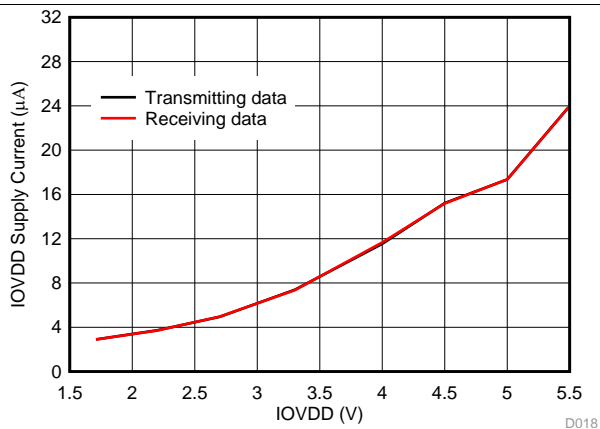


图 18. FF / PA Mode IOVDD Supply Current vs Voltage With Internal Reference

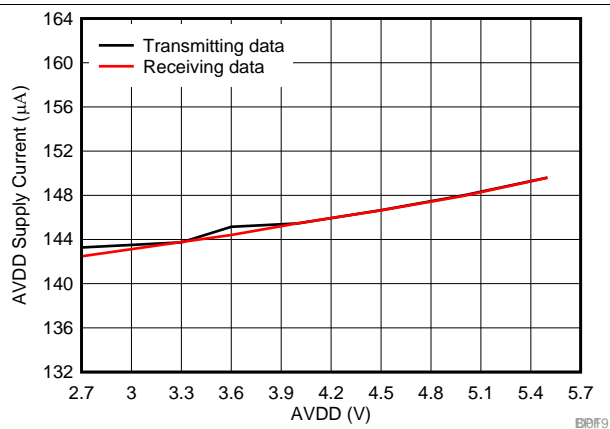
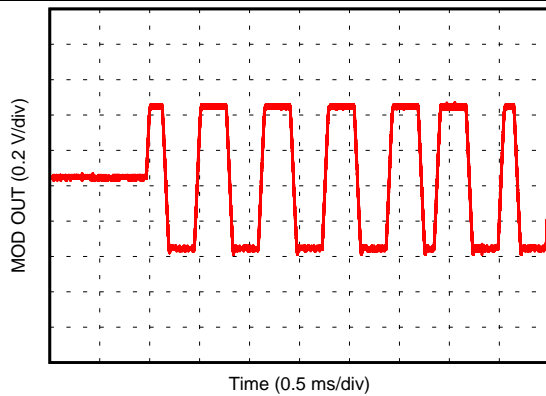


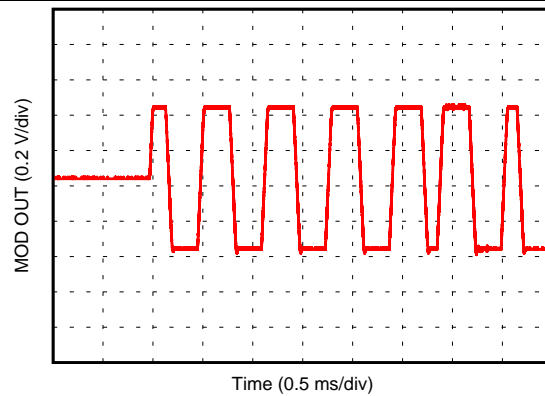
图 19. FF / PA Mode AVDD Supply Current vs Voltage With Internal Reference

Typical Characteristics (接下页)



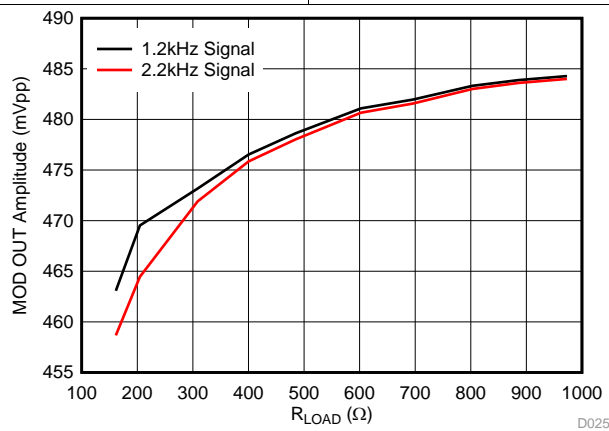
D020

图 20. Typical Manchester Encoded Trapezoid, No Filter



D021

图 21. Typical Manchester Encoded Trapezoid, With Suggested Filter Response



D025

图 22. MOD\_OUT Voltage vs R\_LOAD

## 8 Detailed Description

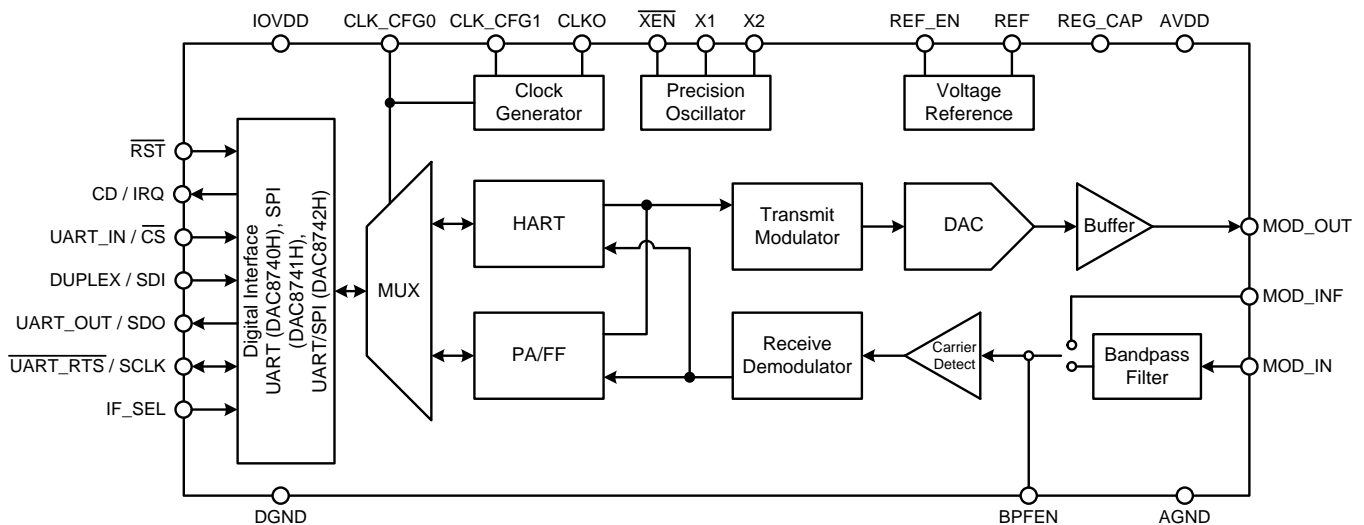
### 8.1 Overview

The DAC8740H and DAC8741H (DAC874xH) are HART® compliant and FOUNDATION Fieldbus or PROFIBUS PA compatible low power modems designed for industrial process control and industrial automation applications.

In HART mode, the DAC874xH integrates all of the required circuitry to operate as half-duplex HART physical layer modems, in either slave or master configurations with minimal external components for filtering. In FOUNDATION Fieldbus mode, the DAC874xH integrate all of the required circuitry to operate as half-duplex FOUNDATION Fieldbus compliant H1 Controllers and MAUs.

The HART, FOUNDATION Fieldbus, or PROFIBUS PA, data stream can be transferred from the microcontroller through either a UART interface or an integrated FIFO accessed by a SPI interface. The SPI interface includes an SDO pin for daisy-chain support, various interrupts, and other extended features.

### 8.2 Functional Block Diagram



### 8.3 Feature Description

#### 8.3.1 HART Modulator

In SPI mode, HART data is loaded into a transmit FIFO via the SPI serial interface. In UART mode, the UART baud rate matches the HART baud rate, and therefore the FIFO is bypassed. In both cases, the input data are translated into the mark and space frequency shift keyed (FSK) analog signals (1200 Hz and 2200 Hz, respectively) used in HART communication using an internal HART modulator.

The HART modulator implements a look-up table containing 32 6-bit signed values that represent a single phase continuous sinusoidal cycle. A counter is implemented that incrementally loads the table values to a digital-to-analog converter (DAC), at a clock frequency determined by the binary value of the input data, in order to create the mark and space analog output signals used to represent HART data.

The modem operates in half-duplex mode, unless placed in full-duplex mode, where the modulator and demodulator are not active simultaneously. The modem arbitrates over which component is active. To request that the modulator is activated UART devices toggle the RTS pin low, SPI devices toggle the RTS bit in the MODEM CONTROL register. These mechanics are explained in more detail in the respective sections of [Device Functional Modes](#).

In HART mode the MOD\_OUT pin requires parallel capacitance of 5 nF to 22 nF, or 0 pF to 100 pF in FOUNDATION Fieldbus and PROFIBUS PA mode for stability.



## Feature Description (接下页)

### 8.3.2 HART Demodulator

The HART demodulator converts the HART FSK input signals applied at the MOD\_IN or MOD\_INF pins, depending on whether an external filter is implemented, to binary data that is loaded into a receive FIFO in SPI mode. Data in the receive FIFO can then be read by the host controller via SPI serial interface. In UART mode received data is directly fed through to the UART interface.

When a valid carrier is detected on devices using the UART interfaces, the CD pin will toggle high. For devices using the SPI interface, the IRQ pin toggles, indicating an alarm condition. The MODEM STATUS register can then be read to determine the source of the interrupt, which includes a bit for carrier detection in DB1. Hysteresis is implemented with the carrier detect feature in order to prevent erroneous carrier detection signals. More details are explained in the respective [Device Functional Modes](#) sections.

### 8.3.3 FOUNDATION Fieldbus or PROFIBUS PA Manchester Encoder

FOUNDATION Fieldbus or PROFIBUS PA data is loaded into a transmit FIFO via UART or SPI interfaces which is translated into the Manchester encoded binary analog signals used in both FOUNDATION Fieldbus and PROFIBUS PA bus protocols through an internal Manchester encoder.

The Manchester encoder interacts with the DAC to transmit positive and negative amplitude signals, with respect to a positive common mode voltage, to create the Manchester encoded analog outputs at 31.25 kHz baud. A binary 0 is represented by a low-to-high transition and a binary 1 is represented by a high-to-low transition.

In both UART and SPI interfaced device, the encoder is activated any time there is data available in the transmit FIFO and the decoder is not receiving data. In order to prevent FIFO buffer overflow, for UART mode the CD pin acts as an interrupt to indicate when the FIFO level has exceed a programmed threshold in the packet initiation code. In SPI mode the transmit FIFO threshold programmed in the FIFO LEVEL SET register can trigger an interrupt on the IRQ pin. Once the IRQ interrupts is triggered, the MODEM STATUS register can then be read to determine the source of the interrupt, which includes a bit for the FIFO level in DB4. More details are explained in the respective [Device Functional Modes](#) sections.

### 8.3.4 FOUNDATION Fieldbus or PROFIBUS PA Manchester Decoder

The FOUNDATION Fieldbus and PROFIBUS PA decoder converts the Manchester encoded data applied at the MOD\_IN or MOD\_INF pins, depending on whether an external filter is implemented, to binary data that is loaded into a receive FIFO. Data in the receive FIFO can then be read by the host controller via UART or SPI serial interfaces.

When valid data is provided to the decoder, binary data is read out serially on the UART interface. For SPI devices, the receive FIFO is loaded until the threshold programmed in FIFO LEVEL SET is met which will trigger an interrupt on the IRQ pin. The MODEM STATUS register can then be read to determine the source of the interrupt, which includes a bit for the FIFO level in DB7, indicating that data is ready to be read on the SPI bus. More details are explained in the respective [Device Functional Modes](#) sections.

### 8.3.5 Internal Reference

An internal reference is included in the DAC874xH. The REF\_EN pin is used to enable or disable the internal reference, when the internal reference is disabled an external reference must be provided at the REF pin. In SPI mode, the  $\overline{\text{PDVREF}}$  bit in the CONTROL register can be used to enable or disable the internal reference via software. If the REF\_EN pin is set high, the register contents of the  $\overline{\text{PDVREF}}$  bit is ignored. [表 1](#) summarizes how to configure the reference in either UART or SPI modes.

**表 1. Reference Configuration**

INTERFACE	$\overline{\text{PDVREF}}$	REF_EN	REFERENCE MODE
UART	1 (default)	0	External reference
UART	1 (default)	1	Internal reference
SPI	1 (default)	1	Internal reference
SPI	0	1	Internal reference
SPI	1 (default)	0	External reference
SPI	0	0	External reference

### 8.3.6 Clock Configuration

All of the devices in the DAC874xH family support a variety of clocking options in order to provide system flexibility and reduce overall current consumption in HART applications. The clocking options include: an internal oscillator (HART mode only), an external crystal oscillator, or an external CMOS clock. The selection of the clocking scheme is controlled by the XEN, CLK\_CFG1, and CLK\_CFG0 pins as described in [表 2](#).

The internal oscillator takes approximately 50 ms to start oscillating from when it is enabled. During this time period the device is unable to perform modulation or demodulation activities.

**表 2. Clock Configuration Table**

$\overline{\text{XEN}}$	CLK_CFG1	CLK_CFG0	CLKO	DESCRIPTION	MODE
1	0	0	No output	3.6864-MHz CMOS clock connected at XTAL1	HART
1	0	1	No output	1.2288-MHz CMOS clock connected at XTAL1	
1	1	0	No output	Internal oscillator enabled	
1	1	1	1.2288-MHz output	Internal oscillator enabled, CLKO enabled	
0	0	0	No output	Crystal oscillator enabled	
0	0	1	3.6864-MHz output	3.6864-MHz crystal oscillator, CLKO enabled	
0	1	0	1.8432-MHz output	3.6864-MHz crystal oscillator, CLKO enabled	
0	1	1	1.2288-MHz output	3.6864-MHz crystal oscillator, CLKO enabled	
1	0	0.5	No output	4-MHz CMOS clock connected at XTAL1	FOUNDATION Fieldbus and PROFIBUS PA
1	1	0.5	No output	2-MHz CMOS clock connected at XTAL1	
0	0	0.5	No output	4-MHz crystal oscillator	
0	1	0.5	4-MHz output	4-MHz crystal oscillator, CLKO enabled	

### 8.3.7 Reset and Power-Down

The  $\overline{\text{RST}}$  pin functions as both a hardware reset and a power-down. When the pin is brought low a reset is issued, restoring all device components to their default state. While the pin is kept low, the device is in a power-down state where the internal reference is disabled, the modulator and demodulator or encoder and decoder are disabled, serial data output lines are high-impedance, MOD\_OUT impedance is set to 70 k $\Omega$ , and the clock output is disabled. If an external crystal oscillator is used, the crystal oscillator circuit remains active to reduce start-up time when exiting the power-down state. Clock configuration pins remain active in power-down allowing the crystal oscillator to be disabled if desired.

### 8.3.8 Full-Duplex Mode

In full-duplex mode the modulator and demodulator (HART mode) or encoder and decoder (FOUNDATION Fieldbus or PROFIBUS PA mode) are simultaneously enabled. This allows a self-test feature to verify functionality of the transmit and receive signal chains to improve system diagnostics.

### 8.3.9 I/O Selection

The DAC8740H implements a UART interface and the DAC8741H implements an SPI interface. The interface mode is selected by the IF\_SEL pin: a logic high on this pin sets the device to SPI mode and a logic low sets the device to UART mode. An internal pull-down resistor is included to make sure the device powers up in a known state, by default the pull-down sets the interface to UART mode. If changing I/O modes after power-up, a reset command should be issued on  $\overline{\text{RST}}$ .

### 8.3.10 Jabber Inhibitor

The DAC874xH implements a Jabber Inhibitor feature in FOUNDATION Fieldbus or PROFIBUS PA modes that prevents the encoder from continuously transmitting data on the bus for longer than a programmed threshold controlled by the UART or SPI interface. In SPI mode, this threshold is programmed by the PAFF\_JABBER register. In UART mode, this threshold is programmed by the four-byte initialization sequence before each transmission. This information is described in further detail in the [Device Functional Modes](#) and [Register Maps](#) sections.

## 8.4 Device Functional Modes

### 8.4.1 UART Interfaced HART

When interfacing the HART modem via the UART interface, the device can be thought of as a simple UART-to-HART or HART-to-UART direct feedthrough converter. The UART data is transmitted and received at 1200 baud, which is matched to the HART FSK input and output signals.

The HART communication protocol is a half-duplex protocol which means that either the modulator or demodulator is active, and never simultaneously enabled. The device arbitrates over which component of the modem is active at all times based on activity on the HART bus. Bus activity is interfaced to the host controller through the CD and RTS pins.

By default when  $\overline{\text{RTS}}$  is high the demodulator is active and the modulator is inactive. When a valid carrier is detected and data is being received by the modem, the CD pin is toggled high and binary UART data is provided at the output. If a request to send is issued by toggling the  $\overline{\text{RTS}}$  pin low while CD is high, the demodulator remains at priority and any data provided at the UART input is ignored. When CD is low no valid carrier is present and when RTS is brought low the modulator is activated and UART input data is latched into the modulator and placed onto the HART bus.

### 8.4.2 UART Interfaced FOUNDATION Fieldbus or PROFIBUS PA

FOUNDATION Fieldbus and PROFIBUS PA are half-duplex communication protocols where only the encoder or decoder are active at any time and the DAC874xH arbitrates over which path is active. When interfacing the FOUNDATION Fieldbus or PROFIBUS PA modem via the UART interface, data placed in the transmit FIFO is automatically placed on the FF/PA bus until the FIFO is empty any time the device is not receiving data, assuming correct data format.

When receiving data the decoder will expect a preamble byte(s) and a start delimiter byte. These bytes, as well as the stop byte, will be stripped from the UART communication and only the first data byte will be transmitted to start the data packet. The host controller must use a timer to detect the end of the packet. Each byte transmitted on the UART will be at 57.6 kHz baud and byte spacing of 256  $\mu\text{s}$ . If a new byte has not been started within 512  $\mu\text{s}$  it can be assumed that the incoming packet has ended.

The device expects to see a four byte sequence to initiate transmission: 0xEA followed by 0x80-0x9F, where bits 4:3 of the second byte configure an interrupt threshold for the transmit FIFO level and bits 2:0 set the number of preamble bytes to be transmitted. The third byte contains the information to configure the Jabber Inhibitor followed by the final byte of 0xAE. To send inverted Manchester encoded data the first byte, 0xEA, is inverted to 0x15 and the first three bits of the second byte are inverted such that the range of values for the second byte are from 0x60-0x7F. The functionality of bits 4:3 and 2:0 and the Jabber Inhibitor byte remain the same and the final byte is inverted to 0x51. The details concerning this four byte sequence are explained in [表 3](#) to [表 5](#).

**表 3. B3 and B2 UART Initialization Byte Sequence**

Mode	B3								B2							
	D7:D0								D7	D6	D5	D4	D3	D2	D1	D0
Noninverted	1	1	1	0	1	0	1	0	1	0	0	D2M_LEVEL	PRE_BYTES			
Inverted	0	0	0	1	0	1	0	1	0	1	1	D2M_LEVEL	PRE_BYTES			

**表 4. B1 and B0 UART Initialization Byte Sequence**

Mode	B1	B0							
	D7:D0	D7	D6	D5	D4	D3	D2	D1	D0
Noninverted	JABBER_TIMEOUT	1	0	1	0	1	1	1	0
Inverted	JABBER_TIMEOUT	0	1	0	1	0	0	0	1

**表 5. B2 Bit-Field Definitions**

CONTROL BITS	DESCRIPTION		
D2M_LEVEL	0	0	Alarm on UART_RTS when transmit FIFO has less than 2 bytes loaded
	0	1	Alarm on UART_RTS when transmit FIFO has less than 4 bytes loaded
	1	0	Alarm on UART_RTS when transmit FIFO has less than 6 bytes loaded
	1	1	Alarm on UART_RTS when transmit FIFO has less than 8 bytes loaded
PRE_BYTES	Number of preamble bytes is equivalent to the straight binary decimal value in this register plus one		

The JABBER\_TIMEOUT bits control the timeout period for the Jabber Inhibitor. If a value of 0x0 is programmed the Jabber Inhibitor is disabled. Otherwise, the timer will be programmed in 2.048 ms increments such that the timeout can be calculated as shown below. If the Jabber Inhibitor triggers the CD pin will be taken high. The CD pin will be returned to logic low when the silence period of 3 seconds has ended.

$$\text{TimeOut} = \text{JABBER\_TIMEOUT} \times 2.048 \text{ ms} \quad (1)$$

The encoder begins transmitting data after the following conditions are met: a valid four-byte transmission initiation sequence has been sent to the device, the FIFO is not empty, and the device is not receiving data. Transmission begins by sending the preamble byte or bytes, followed by a start delimiter. Then, the encoder begins to remove data from the FIFO, and creates at least a five-byte lag of the encoder with respect to the UART.

During transmission of a packet, the UART must take care to make sure that the FIFO does not become empty before the packet is complete. The encoder transmits at a baud rate of 31.25 kHz or 256  $\mu$ s per byte in the FIFO, so the UART must keep up with this rate. The four-byte sequence that initiates a transmission includes setting a transmit FIFO threshold in bits 4:3. When the FIFO level is less than or equal to this threshold, the UART\_RTS pin is taken high; this can be leveraged to make sure the FIFO is not prematurely empty. After the FIFO is empty, a stop delimiter is placed on the bus, and a new packet can be initiated with a new four-byte transmission initiation sequence.

The device expects a UART baud rate of 57.6 kHz. This baud rate is faster than the 31.25-kHz baud rate specified by FOUNDATION Fieldbus and PROFIBUS PA; therefore, FIFO overflow is possible. To prevent FIFO overflow, the UART\_RTS pin FIFO threshold alarm can be leveraged by never adding more data to the FIFO than the FIFO can contain, based on the programmed alarm threshold.

### 8.4.3 SPI Interfaced HART

When interfacing the HART modem via the SPI interface, the device uses transmit and receive FIFOs that are 9-bits wide and 16 locations deep to buffer all HART data.

The HART communication protocol is half-duplex protocol which means that either the modulator or demodulator is active, and never simultaneously enabled. The device arbitrates over which component of the modem is active at all times based on activity on the HART bus. Bus activity is interfaced to the host controller through the IRQ pin and MODEM STATUS register.

By default the demodulator is active and the modulator is inactive. When a valid carrier is detected and data is being received by the modem, the CD bit (bit 1) in the MODEM STATUS register is set high. If the CD bit (bit 1) in the MODEM IRQ MASK register is set to 0, this will also cause the IRQ pin to toggle as programmed in the status CONTROL register. The IRQ pin may be programmed to be edge sensitive or level sensitive, the polarity of the signal is also programmable. When the IRQ pin toggles, the MODEM STATUS register should be read to determine the source of the interrupt. Receive data can be read from the RECEIVE FIFO by issuing an SPI read command.

Alternatively, the CD pin can be ignored by setting the CD bit (bit 1) in the MODEM IRQ MASK register to a 1. In this mode the IRQ pin will not toggle when the CD bit in the MODEM STATUS register is a 1. Instead, a RECEIVE FIFO read event can be triggered by the RECEIVE FIFO level threshold. This is achieved by programming the FIFO LEVEL SET register (bits 7:4) to the desired threshold value from 1-15, if a full FIFO (level 16 threshold) is desired the M2D FIFO FULL alarm can be used instead. If the M2D FIFO LEVEL bit (bit 7) in the MODEM IRQ MASK register is set to 0, the IRQ pin will toggle and the MODEM STATUS register should be read to determine the source of the interrupt. Receive data can then be read from the RECEIVE FIFO by issuing an SPI read command.

If data is placed in the transmit FIFO while the demodulator is active and the CD bit is high, the data remains in the FIFO until the modulator is activated. To request that the modulator is activated and the demodulator is deactivated the RTS bit (bit 0) in the MODEM CONTROL register should be set high. When the modulator is activated and the demodulator is deactivated the clear to send, or CTS, bit (bit 0) in the MODEM STATUS register is set high. If the CTS bit (bit 0) in the MODEM IRQ MASK register is set to a 0 this will cause the IRQ pin to toggle, indicating that transmit FIFO data will begin to be placed on the bus.

The level of the transmit FIFO may be monitored in order to avoid buffer overflow. This can be done either by watching for a buffer full or buffer threshold event. To monitor by a FIFO level threshold the FIFO LEVEL SET register (bits 3:0) can be programmed to the desired threshold value from 1-15. If the D2M FIFO LEVEL bit (bit 4) in the MODEM IRQ MASK register is set to a 0, this will cause the IRQ pin to toggle. Similarly an alarm can be triggered based on the D2M FIFO FULL bit in the MODEM STATUS register.

#### 8.4.4 SPI Interfaced FOUNDATION Fieldbus or PROFIBUS PA

FOUNDATION Fieldbus and PROFIBUS PA are half-duplex communication protocols, where only the encoder or decoder are active at any time and the DAC874xH arbitrates over which path is active. When interfacing the FOUNDATION Fieldbus or PROFIBUS PA encoder via SPI interface, data are placed in transmit and receive FIFOs that are each 16-bytes deep to buffer all data.

When receiving data, the decoder expects a preamble byte(s) and a start delimiter byte, followed by the data bytes for the packet, and concluded with a stop delimiter byte. All of these bytes are placed into the RECEIVE FIFO where bits 7:0 represent the data, and bit 8 is used as a special bit to indicate the start of a packet, with data 0x014D, the end of a packet, with data 0x0126, or a half-bit slip, with data 0x0100. If a half-bit slip occurs, discard the packet. A timer is not necessary to detect the end of receiving a packet in SPI mode because the stop delimiter is included in the RECEIVE FIFO data.

In order to prevent RECEIVE FIFO overflow, alarms are available to watch a threshold of the FIFO or when the FIFO is full. If the FIFO is full it is possible for data to be lost. This is achieved by programming the FIFO LEVEL SET register (bits 7:4) to the desired threshold value from 1-15, if a full FIFO (level 16 threshold) is desired the M2D FIFO FULL alarm can be used instead. If the M2D FIFO LEVEL bit (bit 7) in the MODEM IRQ MASK register is set to 0, the IRQ pin will toggle and the MODEM STATUS register should be read to determine the source of the interrupt. Receive data can then be read from the RECEIVE FIFO by issuing an SPI read command.

The encoder begins to send data by sending the preamble byte(s) followed by a start delimiter when the TRANSMIT FIFO is not empty and the device is not receiving data. The number of preamble bytes used in the packet is controlled by the PAFF PREAMBLE bits (bits 14:12) in the MODEM CONTROL REGISTER. The polarity of the Manchester encoded data can also be programmed by the PAFF POLARITY bit (bit 15) in the MODEM CONTROL REGISTER. After transmitting the preamble byte(s) and start delimiter, the encoder begins taking data from the TRANSMIT FIFO.

During transmission, the SPI controller must take care to make sure that the TRANSMIT FIFO does not become empty before the packet is complete. When the TRANSMIT FIFO is empty a stop delimiter is placed on the bus.

The level of the transmit FIFO may be monitored in order to avoid buffer overflow. This monitoring can be done either by watching for a buffer full or buffer threshold event. To monitor by a FIFO level threshold, program the FIFO LEVEL SET register (bits 3:0) to the desired threshold value from 1-15. If the D2M FIFO LEVEL bit (bit 4) in the MODEM IRQ MASK register is set to a 0, the IRQ pin toggles. Similarly, an alarm can be triggered based on the D2M FIFO FULL bit in the MODEM STATUS register.

The Jabber Inhibitor threshold is programmed by the PAFF\_JABBER register (address 0x27). The 8-bit value programmed in this register is used to calculate the threshold using [公式 2](#). When the timeout triggers, the JAB\_ON bit in the STATUS register is taken high, and transmission is blocked for the 3-second timeout period. The JAB\_OFF bit goes high when the timeout period has expired. Both JAB\_ON and JAB\_OFF bits trigger an IRQ event, meaning the IRQ pin is triggered for both events.

$$\text{TimeOut} = \text{JABBER\_TIMEOUT} \times 2.048 \text{ ms} \quad (2)$$

## 8.4.5 Digital Interface

### 8.4.5.1 UART

The behavior of the UART interface changes based on whether the device is operating in HART mode or in FOUNDATION Fieldbus and PROFIBUS PA mode.

In HART mode, the device expects 1 start bit, 8 data bits, 1 odd parity bit, and 1 stop bit or an 8O1 UART character format. The transmit path of the device acts as a direct feedthrough of the UART input to the HART FSK output, therefore the UART baud rate from the host controller must be 1200 Hz  $\pm$ 1% as required by the HART standard. The receive path of the device will also operate at 1200 Hz  $\pm$ 1%.

In FOUNDATION Fieldbus and PROFIBUS PA mode the UART interface expects 1 start bit, 8 data bits, no parity bit, and 1 stop bit or an 8N1 UART character format. In this mode the UART interfaces transmit and receive FIFOs so the baud rate is not required to match the 31.25 kHz baud used by FOUNDATION Fieldbus and PROFIBUS PA. In this mode the expected transmit and receive UART baud is 57.6 Hz  $\pm$ 2.5%.

#### 8.4.5.1.1 UART Carrier Detect

The behavior of the carrier detect or CD pin changes depending on whether the device is in HART mode or FOUNDATION Fieldbus and PROFIBUS PA mode.

In HART mode the pin operates as a carrier detect pin. When a valid carrier is detected and the modem is receiving data the CD pin is taken high. When the CD pin is high, UART data sent to the device and the request to send, or RTS, pin will be ignored until the carrier is no longer present.

In FOUNDATION Fieldbus and PROFIBUS PA the CD pin operates as a carrier detect pin when not in transmit mode. When the CD pin is high, UART data sent to the device are ignored until the carrier is no longer present. When in transmit mode the CD pin functions as an alarm indicator that the jabber inhibitor has triggered and further UART transmission data are ignored. In general, if the CD pin is high, the host controller should not be sending transmit data to the device.

### 8.4.5.2 SPI

The SPI interface can operate on SCLK speeds up to 12.5 MHz, but the frame-rate must be greater than 2442 ns in HART mode and 3000 ns in FOUNDATION Fieldbus and PROFIBUS PA mode. Frames must contain at least 24-bits without CRC enabled and 32-bits with CRC enabled. The data within the frame are right justified, meaning that upon the rising edge of CS the right-most, or last, 24-bits or 32-bits are evaluated as the input data word. Two modes of SPI are supported by the interface: clock polarity 0 and clock phase 1, or clock polarity 1 and clock phase 0.

The SDO pin will output data on the rising edge of SCLK or the falling edge of CS. SDO will always provide information from the previous frame, if the previous frame was a read then the output data will be the requested data. If the previous write was a command or register write, that data will be repeated. This allows a method for the user to verify what was written to the device. If CRC is enabled and write data is being repeated on SDO, the CRC provided during the previous frame will be output – not a newly calculated CRC.

The SPI frame structure is shown in [表 6](#). The frame includes a read/write bit, followed by a 7-bit address, then 16-bit write data for a write frame or *don't care* bits for a read frame. If CRC is enabled, an additional 8-bits are placed at the end of the frame containing the CRC word.

**表 6. SPI Frame Structure**

R/W FRAME	D23	D22:16	D15:0
Write Frame	0	7-Bit Address	Write Data
Read Frame	1	7-Bit Address	X

#### 8.4.5.2.1 SPI Cyclic Redundancy Check

The SPI interface includes an optional CRC mode to enhance the reliability of the interface by blocking erroneous commands sent to the device due to noise or other errors sources. When writing to or reading from the device the last 8-bits in the frame contain the CRC word which is calculated based on the polynomial  $x^8 + x^2 + x + 1$ . If a bad CRC word is included in a write-frame to the device, the frame will be ignored. When reading from the device, the host controller should check the CRC word to validate the frame.

Read commands with a bad CRC value will output 0x80000000 and, in the case of a receive FIFO read, prevent data from leaving the FIFO and subsequently being lost.

#### 8.4.5.2.2 SPI Interrupt Request

SPI interfaced devices include an interrupt request, or IRQ, pin to communicate the occurrence of a variety of events to the host controller. The behavior of the IRQ pin is controlled by the CONTROL register and MODEM IRQ MASK register.

The CONTROL register allows the host controller to configure the IRQ pin as level sensitive or edge sensitive via the IRQ LEVEL bit (bit 2). For both level sensitive and edge sensitive modes, the polarity of the IRQ pin can be set via the IRQ POLARITY bit (bit 3) in the CONTROL register.

The MODEM IRQ MASK register allows the controller to decide which events are able to trigger the IRQ pin to toggle. If a logic 0 is written to the respective bit, that event is allowed to toggle the IRQ pin. If a logic 1 is written to the respective bit, the event is masked from the IRQ pin.

When an event occurs the IRQ pin signal, in the case of level-sensitive configurations, is latched and the IRQ pin voltage stays at logic high until the status has been reset, or cleared, by reading the contents of the MODEM\_STATUS register. In the case of edge-sensitive configurations a pulse is generated any time a new event is detected.

## 8.5 Register Maps

Table 7 lists the memory-mapped registers for the DAC8741H. All register offset addresses not listed in Table 7 should be considered as reserved locations and the register contents should not be modified.

**Table 7. DAC8741H Registers**

Offset	Acronym	Register Name	Section
2h	CONTROL	CONTROL register	<a href="#">Go</a>
7h	RESET	RESET register	<a href="#">Go</a>
20h	MODEM_STATUS	MODEM STATUS register	<a href="#">Go</a>
21h	MODEM_IRQ_MASK	MODEM IRQ MASK register	<a href="#">Go</a>
22h	MODEM_CONTROL	MODEM CONTROL register	<a href="#">Go</a>
23h	FIFO_D2M	FIFO D2M register	<a href="#">Go</a>
24h	FIFO_M2D	FIFO M2D register	<a href="#">Go</a>
25h	FIFO_LEVEL_SET	FIFO LEVEL SET register	<a href="#">Go</a>
27h	PAFF_JABBER	PAFF JABBER register	<a href="#">Go</a>

Complex bit access types are encoded to fit into small table cells. Table 8 shows the codes that are used for access types in this section.

**Table 8. DAC8741H Access Type Codes**

Access Type	Code	Description
<b>Read Type</b>		
R	R	Read
<b>Write Type</b>		
W	W	Write
<b>Reset or Default Value</b>		
-n		Value after reset or the default value

### 8.5.1 CONTROL Register (Offset = 2h) [reset = 0x8042]

This register controls the SPI watchdog timer, internal reference, CRC mode, IRQ pin behavior, and SDO pin behavior.

CONTROL is shown in [Figure 23](#) and described in [Table 9](#).

Return to [Summary Table](#).

**Figure 23. CONTROL Register**

15	14	13	12	11	10	9	8
WDTO			WDT	RESERVED			
R/W			R/W	R			
7	6	5	4	3	2	1	0
RESERVED	PDVREF	RESERVED	CRC_EN	IRQ_POL	IRQ_LEVEL	SDO_Z	SDO_B
R	R/W	R	R/W	R/W	R/W	R/W	R/W

**Table 9. CONTROL Register Field Descriptions**

Bit	Field	Type	Reset	Description			
15-13	WDTO	R/W	100	SPI Watchdog Timer (based on 3.6864-MHz clock)			
				D15	D14	D13	Timeout Period
				0	0	0	50 ms
				0	0	1	100 ms
				0	1	0	500 ms
				0	1	1	1 second
				1	0	0	2 seconds (default)
				1	0	1	3 seconds
				1	1	0	4 seconds
1	1	1	5 seconds				
12	WDT	R/W	0	0 = SPI Watchdog Timer Disabled (default) 1 = SPI Watchdog Timer Enabled			
11-7	RESERVED	R	00000	Reserved			
6	PDVREF	R/W	1	This bit is only functional if the hardware reference enabled is enabled. 0 = Internal reference is powered down 1 = Internal reference is powered up (default)			
5	RESERVED	R	0	Reserved			
4	CRC_EN	R/W	0	0 = No CRC (default) 1 = CRC is enabled			
3	IRQ_POL	R/W	0	0 = IRQ is active low (default) 1 = IRQ is active high			
2	IRQ_LEVEL	R/W	0	0 = IRQ creates a pulse for edge sensitivity (default) 1 = IRQ asserts to a level until MODEM STATUS is read			
1	SDO_Z	R/W	1	0 = SDO will be driven during writes and read requests 1 = SDO will be HiZ during writes requests (default)			
0	SDO_B	R/W	0	0 = SDO will remain filled from last frame (default) 1 = SDO will clear with the beginning of each frame			



### 8.5.2 RESET Register (Offset = 7h) [reset = 0x0000]

Writing 0x0001 to this register will reset all registers to their default values and the FIFOs will be emptied.

RESET is shown in [Figure 24](#) and described in [Table 10](#).

Return to [Summary Table](#).

**Figure 24. RESET Register**

15	14	13	12	11	10	9	8
RESERVED							
R							
7	6	5	4	3	2	1	0
RESERVED							RST
R							R/W

**Table 10. RESET Register Field Descriptions**

Bit	Field	Type	Reset	Description
15-1	RESERVED	R/W	00000000 000000	Reserved
0	RST	W	0	Writing a 1 to this bit triggers a software reset.

### 8.5.3 MODEM\_STATUS Register (Offset = 20h) [reset = 0x0000]

The modem status register is a read/write register. When an event occurs, the corresponding bit to indicate that event is set to a logic 1 in this register. The status bits are sticky, meaning they are not cleared unless a 1 is written to the corresponding bit position, except for carrier detect, or CD, which responds based on the presences of a carrier, the FIFO level registers, which respond based on the conditions of the FIFOs, and JAB\_OFF and JAB\_ON which represent the current status of the jabber inhibitor. CTS will assert after RTS is set and no carrier is present if not operating in full-duplex mode.

MODEM\_STATUS is shown in [Figure 25](#) and described in [Table 11](#).

Return to [Summary Table](#).

**Figure 25. MODEM\_STATUS Register**

15	14	13	12	11	10	9	8
RST	JAB_OFF	JAB_ON	GAP	FRAME	PARITY	WDT	CRC
R/W	R/W	R/W	R/W	R/W	R/W	R/W	R/W
7	6	5	4	3	2	1	0
FIFO_M2D LEVEL	FIFO_M2D FULL	FIFO_M2D EMPTY	FIFO_D2M LEVEL	FIFO_D2M FULL	FIFO_D2M EMPTY	CD	CTS
R/W	R/W	R/W	R/W	R/W	R/W	R	R

**Table 11. MODEM\_STATUS Register Field Descriptions**

Bit	Field	Type	Reset	Description
15	RST	R/W	0	A reset has occurred
14	JAB_OFF	R/W	0	This bit goes high when the jabber inhibitor timeout period has expired
13	JAB_ON	R/W	0	This bit goes high when the jabber inhibitor has been triggered
12	GAP	R/W	0	A gap error in HART mode
11	FRAME	R/W	0	A frame error in HART mode or a 1/2-bit slip in FF/PA mode
10	PARITY	R/W	0	A Parity error in HART mode
9	WDT	R/W	0	The watchdog timer has expired
8	CRC	R/W	0	An incorrect CRC word was provided in a read or write command
7	FIFO_M2D_LEVEL	R/W	0	The receive FIFO is at the programmed level
6	FIFO_M2D_FULL	R/W	0	The receive FIFO is full
5	FIFO_M2D_EMPTY	R/W	0	The receive FIFO is empty
4	FIFO_D2M_LEVEL	R/W	0	The transmit FIFO is at the programmed level
3	FIFO_D2M_FULL	R/W	0	The transmit FIFO is full
2	FIFO_D2M_EMPTY	R/W	0	The transmit FIFO is empty
1	CD	R	0	In HART mode, a valid carrier has been detected
0	CTS	R	0	In HART mode, the modem is cleared to send data and the modulator is active

### 8.5.4 MODEM\_IRQ\_MASK Register (Offset = 21h) [reset = 0x0024]

This register controls which MODEM STATUS events are allowed to trigger an interrupt on the IRQ pin. A 0 in the respective bit position allows the interrupt event to toggle the IRQ pin. A 1 in the respective bit position blocks the interrupt event from toggling the IRQ pin, but the event can still be detected by reading the MODEM STATUS register.

MODEM\_IRQ\_MASK is shown in [Figure 26](#) and described in [Table 12](#).

Return to [Summary Table](#).

**Figure 26. MODEM\_IRQ\_MASK Register**

15	14	13	12	11	10	9	8
RESERVED	JAB_OFF	JAB_ON	GAP	FRAME	PARITY	WDT	CRC
R	R/W	R/W	R/W	R/W	R/W	R/W	R/W
7	6	5	4	3	2	1	0
FIFO_M2D LEVEL	FIFO_M2D FULL	FIFO_M2D EMPTY	FIFO_D2M LEVEL	FIFO_D2M FULL	FIFO_D2M EMPTY	CD	CTS
R/W	R/W	R/W	R/W	R/W	R/W	R/W	R/W

**Table 12. MODEM\_IRQ\_MASK Register Field Descriptions**

Bit	Field	Type	Reset	Description
15	RESERVED	R/W	0	Reserved
14	JAB_OFF	R/W	0	Writing a 1 to this bit blocks the JAB_OFF event from triggering the IRQ pin
13	JAB_ON	R/W	0	Writing a 1 to this bit blocks the JAB_ON event from triggering the IRQ pin
12	GAP	R/W	0	Writing a 1 to this bit blocks the GAP event from triggering the IRQ pin
11	FRAME	R/W	0	Writing a 1 to this bit blocks the FRAME event from triggering the IRQ pin
10	PARITY	R/W	0	Writing a 1 to this bit blocks the PARITY event from triggering the IRQ pin
9	WDT	R/W	0	Writing a 1 to this bit blocks the WDT event from triggering the IRQ pin
8	CRC	R/W	0	Writing a 1 to this bit blocks the CRC event from triggering the IRQ pin
7	FIFO_M2D_LEVEL	R/W	0	Writing a 1 to this bit blocks the FIFO_M2D_LEVEL event from triggering the IRQ pin
6	FIFO_M2D_FULL	R/W	0	Writing a 1 to this bit blocks the FIFO_M2D_FULL event from triggering the IRQ pin
5	FIFO_M2D_EMPTY	R/W	1	Writing a 1 to this bit blocks the FIFO_M2D_EMPTY event from triggering the IRQ pin
4	FIFO_D2M_LEVEL	R/W	0	Writing a 1 to this bit blocks the FIFO_D2M_LEVEL event from triggering the IRQ pin
3	FIFO_D2M_FULL	R/W	0	Writing a 1 to this bit blocks the FIFO_D2M_FULL event from triggering the IRQ pin
2	FIFO_D2M_EMPTY	R/W	1	Writing a 1 to this bit blocks the FIFO_D2M_EMPTY event from triggering the IRQ pin
1	CD	R/W	0	Writing a 1 to this bit blocks the CD event from triggering the IRQ pin
0	CTS	R/W	0	Writing a 1 to this bit blocks the CTS event from triggering the IRQ pin

### 8.5.5 MODEM\_CONTROL Register (Offset = 22h) [reset = 0x0048]

This register controls various modem features including: FF/PA Manchester data polarity, number of FF/PA preamble bits, analog output amplitude, modem enable, duplex mode, and request to send.

MODEM\_CONTROL is shown in [Figure 27](#) and described in [Table 13](#).

Return to [Summary Table](#).

**Figure 27. MODEM\_CONTROL Register**

15	14	13	12	11	10	9	8
FFPA_POL	FFPA_PREAMBLE			RESERVED			TX_AMP
R/W	R/W			R			R/W
7	6	5	4	3	2	1	0
TX_AMP			MOD_EN		DUP_EN	RESERVED	RTS
R/W			R/W		R/W	R	R/W

**Table 13. MODEM\_CONTROL Register Field Descriptions**

Bit	Field	Type	Reset	Description
15	FFPA_POL	R/W	0	Sets the transmitted polarity of the Manchester encoded data 0 = Logical 1 is transmitted as a transition from high-to-low (default) 1 = Logical 1 is transmitted as a transition from low-to-high
14-12	FFPA_PREAMBLE	R/W	0	Number of preamble bytes sent is the value programmed in this register plus 1
11-9	RESERVED	R	0	Reserved
8-4	TX_AMP	R/W	00100	Unsigned binary value that controls the amplitude (HART mode only) of the transmitted waveform in 25-mV <sub>PP</sub> steps. Default value 00100 for 500-mV <sub>PP</sub> output amplitude. Amplitude may vary from 400 mV <sub>PP</sub> to 800 mV <sub>PP</sub> .
3	MOD_EN	R/W	1	0 = Disables TX/RX of the modem 1 = Enables TX/RX of the modem (default)
2	DUP_EN	R/W	0	0 – TX FIFO is not connected to RX FIFO (default) 1 = Connects TX FIFO to RX FIFO
1	RESERVED	R	0	Reserved
0	RTS	R/W	0	0 = No active request to send in HART mode (default) 1 = Active request to send in HART mode

### 8.5.6 FIFO\_D2M Register (Offset = 23h) [reset = 0x0200]

This register interfaces the FIFO that transmits data from the digital interface to the modem.

FIFO\_D2M is shown in [Figure 28](#) and described in [Table 14](#).

Return to [Summary Table](#).

**Figure 28. FIFO\_D2M Register**

15	14	13	12	11	10	9	8
FIFO_LEVEL				LEVEL_FLAG	FULL_FLAG	EMPTY_FLAG	PARITY_BIT
R				R	R	R	W
7	6	5	4	3	2	1	0
DATA							
W							

**Table 14. FIFO\_D2M Register Field Descriptions**

Bit	Field	Type	Reset	Description
15-12	FIFO_LEVEL	R	0	Reads back the current level of the FIFO, read only
11	LEVEL_FLAG	R	0	Indicates the programmed level has been reached, read only
10	FULL_FLAG	R	0	Indicates the FIFO is full, read only
9	EMPTY_FLAG	R	1	Indicates the FIFO is empty, read only
8	PARITY_BIT	W	0	Odd parity for 8-bit data read on bus, write only
7-0	DATA	W	0	Data transmitted from the digital interface to the modem, write only

### 8.5.7 FIFO\_M2D Register (Offset = 24h) [reset = 0x0200]

This register interfaces the FIFO that receives data from the modem to the digital interface. This register is read only

FIFO\_M2D is shown in [Figure 29](#) and described in [Table 15](#).

Return to [Summary Table](#).

**Figure 29. FIFO\_M2D Register**

15	14	13	12	11	10	9	8
FIFO_LEVEL				LEVEL_FLAG	FULL_FLAG	EMPTY_FLAG	PARITY_BIT
R				R	R	R	R
7	6	5	4	3	2	1	0
DATA							
R							

**Table 15. FIFO\_M2D Register Field Descriptions**

Bit	Field	Type	Reset	Description
15-12	FIFO_LEVEL	R	0	Reads back the current level of the FIFO, read only
11	LEVEL_FLAG	R	0	Indicates the programmed level has been reached, read only
10	FULL_FLAG	R	0	Indicates the FIFO is full, read only
9	EMPTY_FLAG	R	1	Indicates the FIFO is empty, read only
8	PARITY_BIT	R	0	Odd parity for 8-bit data read on bus, read only
7-0	DATA	R	0	Data transmitted from the modem to the digital interface, read only

### 8.5.8 FIFO\_LEVEL\_SET Register (Offset = 25h) [reset = 0x0000]

This register programs the alarm threshold for both transmit and receive FIFOs. Each bit field allows for the FIFO alarm threshold to be programmed to integer values from 1-15.

FIFO\_LEVEL\_SET is shown in [Figure 30](#) and described in [Table 16](#).

Return to [Summary Table](#).

**Figure 30. FIFO\_LEVEL\_SET Register**

15	14	13	12	11	10	9	8
RESERVED							
R							
7	6	5	4	3	2	1	0
M2D_LEVEL				D2M_LEVEL			
R/W				R/W			

**Table 16. FIFO\_LEVEL\_SET Register Field Descriptions**

Bit	Field	Type	Reset	Description
15-8	RESERVED	R	00000000	Reserved
7-4	M2D_LEVEL	R/W	0000	The binary value in this register sets the modulator FIFO alarm threshold
3-0	D2M_LEVEL	R/W	0000	The binary value in this register sets the demodulator FIFO alarm threshold

### 8.5.9 PAFF\_JABBER Register (Offset = 27h) [reset = 0x0000]

This register controls the jabber inhibitor time-out behavior. The time-out can be calculated using the equation in [Table 17](#), with PAFF\_JABBER in decimal format.

PAFF\_JABBER is shown in [Figure 31](#) and described in [Table 17](#).

Return to [Summary Table](#).

**Figure 31. PAFF\_JABBER Register**

15	14	13	12	11	10	9	8
RESERVED							
R							
7	6	5	4	3	2	1	0
PAFF_JABBER							
R/W							

**Table 17. PAFF\_JABBER Register Field Descriptions**

Bit	Field	Type	Reset	Description
15-8	RESERVED	R	00000000	Reserved
7-0	PAFF_JABBER	R/W	00000000	TimeOut = JABBER_TIMEOUT * 2.048 ms

## 9 Application and Implementation

### 注

Information in the following applications sections is not part of the TI component specification, and TI does not warrant its accuracy or completeness. TI's customers are responsible for determining suitability of components for their purposes. Customers should validate and test their design implementation to confirm system functionality.

### 9.1 Application Information

The DAC874xH family of devices integrates modem functionality for several largely used Industrial protocols: Highway Addressable Remote Transducer (HART), FOUNDATION Fieldbus (FF), and PROFIBUS (PA). The different modes are set via the CLK\_CFGx pins of the device that allow the device to either enter HART or PAFF mode. In HART mode, a 1200-Hz/2200-Hz HART FSK Signal is modulated and demodulated, while the PAFF mode communicates through a 31.25 Kbit/s Manchester coded/encoded signal. The small package sizes, wide temperature range and low quiescent current make this device an excellent choice for applications in industrial process control and automation.

#### 9.1.1 Design Recommendations

Local power supply decoupling is recommended by placing 10- $\mu$ F capacitors on the IOVDD and AVDD supply lines, and 0.1- $\mu$ F capacitors close to the DAC874XH supply pins. Ceramic capacitor types such as C0G or X7R are recommended for its optimal performance across temperature, and very low dissipation factor. DC bias characteristics of the capacitors should also be considered when selecting passive components, such as the voltage rating and equivalent series resistance (ESR).

#### 9.1.2 Selecting the Crystal or Resonator

Both communication modes, HART and PAFF, require different clocking frequencies for correct operation: HART – 1.2288 MHz or 3.686 MHz, PAFF – 4 MHz. In addition to selecting the communication mode, the CLK\_CFGx and XEN pins also select whether an internal oscillator or external clock source is configured for device operation. The configuration table is explained in [表 2](#). Accuracy over the applications temperature range should be considered when selecting the external crystal or resonator. Furthermore, crystals with a low drift specification over the desired application temperature range should also be selected when using the DAC874xH devices in HART, FOUNDATION Fieldbus, and PROFIBUS PA applications as communication timing is critical. In order to reduce quiescent current consumption, the XTAL nets should be optimized during layout to reduce any length that may increase net capacitance. This increase in capacitance is directly proportion to current consumption.

#### 9.1.3 Included Functions and Filter Selection

As a highly integrated device, the DAC874xH not only includes the modulation and demodulation capabilities for the previously described industrial protocols, but also includes an internal reference, and integrated receive bandpass filter, with other aforementioned functions. In HART mode, an internal amplifier provides high output drive capability, and can drive a wide range of purely capacitive loads, ranging from 5 nF to 22 nF. Load conditions within this range maintain output stability. Two different filter configurations, external and internal, are achievable through the BPF\_EN digital input -- logic high on this pin enables the internal bandpass filter. The external filter configuration is shown in [图 32](#). The example provided displays the DAC874XH device configured with an external reference and external bandpass filter.

Application Information (接下页)

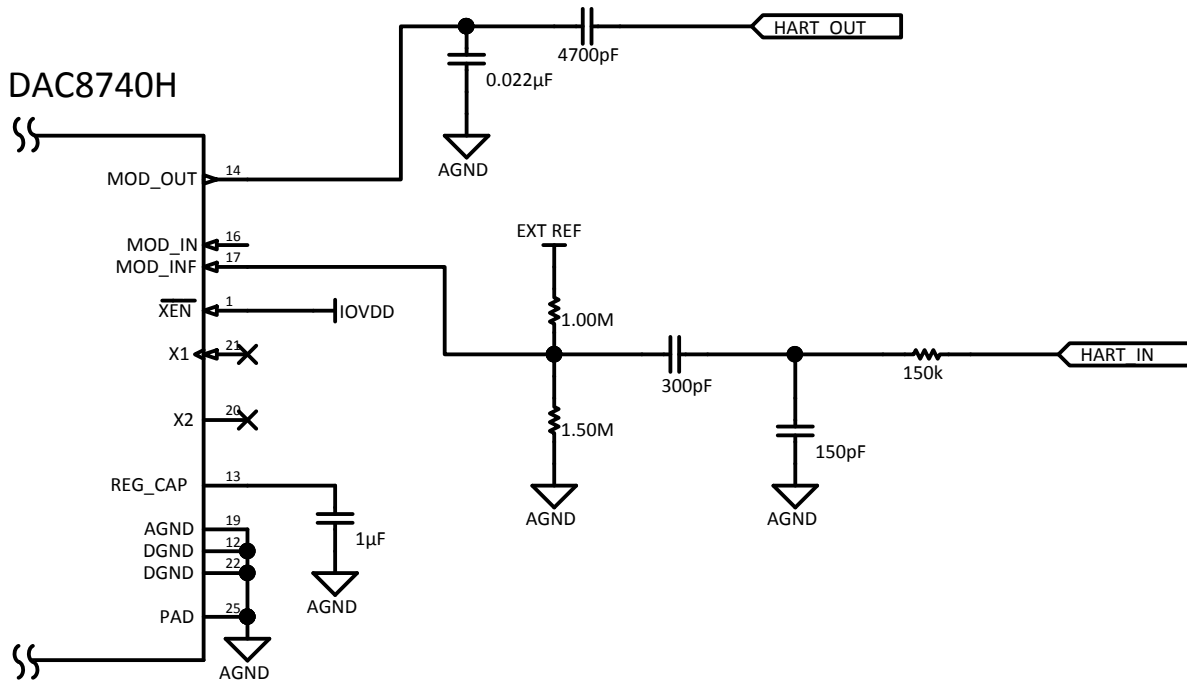


图 32. HART Mode: DAC874XH Passive Selection For External Bandpass Filter and External Reference

The second configuration, which can reduce costs associated with PCB development and BOM component counts, additionally aids in the optimization of board space. This optimization gives the user flexibility into achieving industrial applications with smaller form factor sizes. The internal filter configuration, with correct MOD\_IN, MOD\_INF, and MOD\_OUT connections, is shown in 图 33.

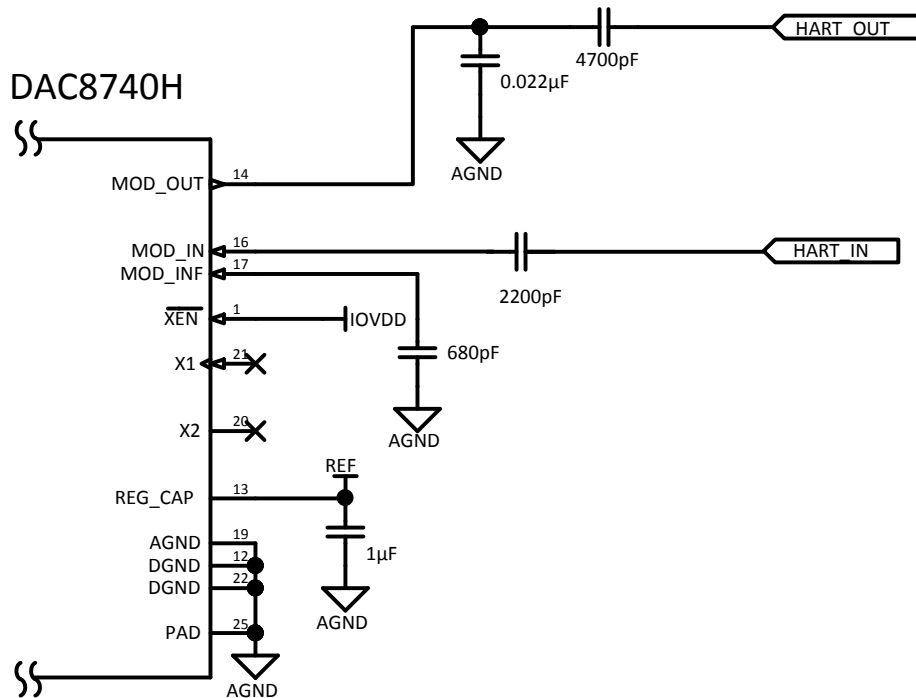


图 33. HART Mode: DAC874xH Passive Selection For Internal Filter



## 9.2 Typical Application

The application schematic shown in [图 34](#) is described in the following sections.

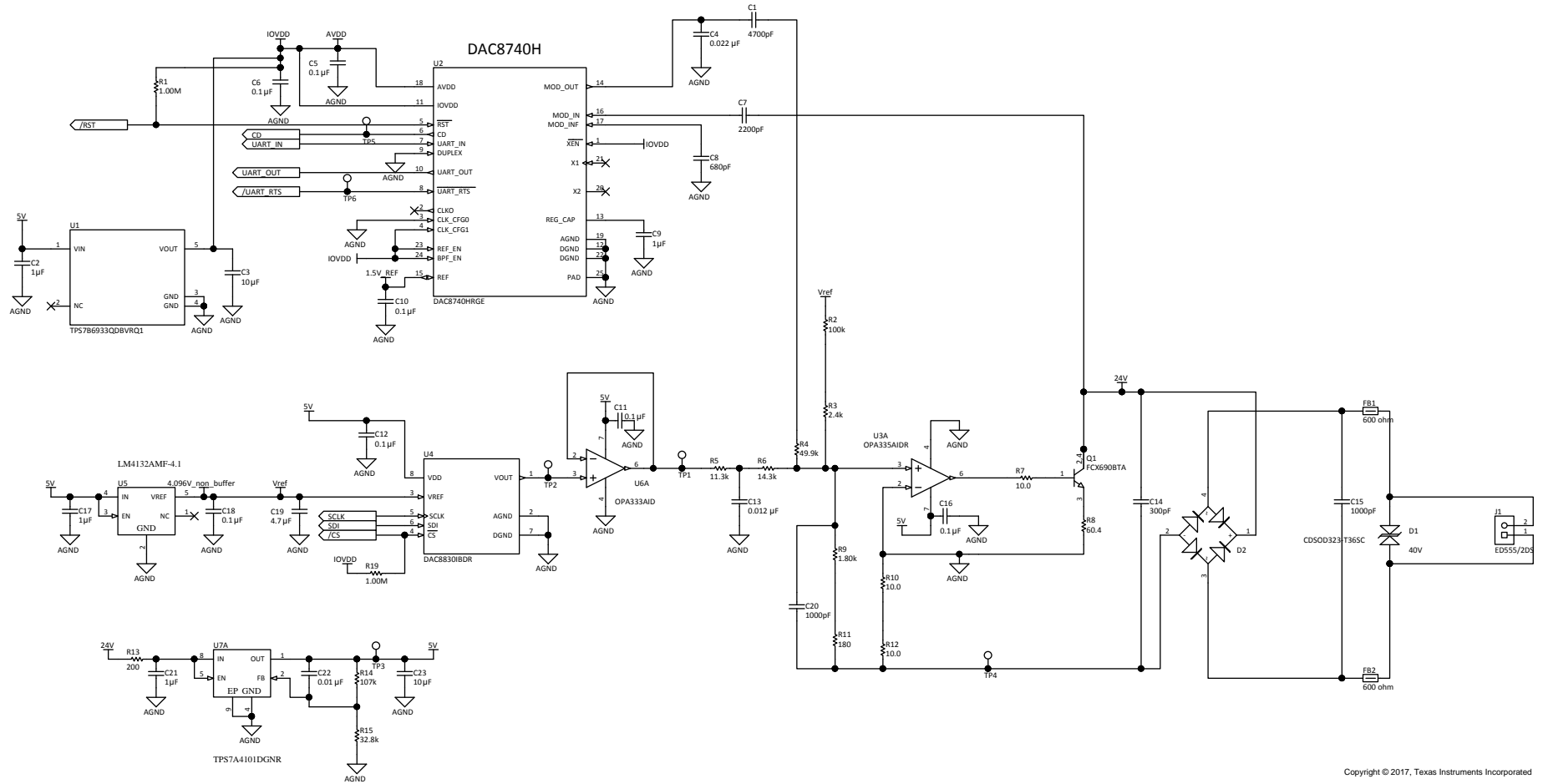


图 34. 2-Wire Transmitter With DAC8740H HART Modem Design Schematic

Copyright © 2017, Texas Instruments Incorporated

## 9.2.1 Design Requirements

The application presented in 图 34 represents a loop-powered, 2-wire, smart 4-mA to 20-mA transmitter that commonly resides in factory control and industrial automation sectors. In this application, the DAC8740H enables a smart interface by providing HART communication, which is responsible for modulating two-way digital information that encapsulate a wide variety of data, including device/sensor information, calibration data, and system diagnostic information. This circuit has been successfully HART certification and registered with the FieldComm Group.

## 9.2.2 Detailed Design Procedure

### 9.2.2.1 DAC8740H HART Modem

In this design, the DAC8740H internal reference and band-pass filter was chosen to optimize board area, consequently reducing form factor and cost. X7R, 10% accurate, bypass capacitances of 1- $\mu$ F and 0.1- $\mu$ F values were chosen for the reference and supplies, respectively.

The DAC8740H device interfaces with the MSP430FR5969, or other similar host controller, through a standard UART interface. The DAC8740H digital pins connected through this interface include `UART_RTS`, `UART_OUT` (TX), `UART_IN` (RX), and `CD`.

The remaining portion of the schematic includes other TI devices that aid in the realization of a highly accurate 4-mA to 20-mA, 2-wire transmitter. This combination of circuitry is an excellent choice for remote signal conditioning of a wide variety of sensors and transducers, including thermocouples, RTDs, thermistors, and strain gauge bridges.

The two-wire transmitter is powered from an external DC power supply that is connected via the two BUS supply lines. The transmitter communicates by sourcing a 4-mA to 20-mA current through the connected bus, and back to the central host, which is typically a PLC analog input module. This expressed range of 4 mA to 20 mA is typically employed to adhere to industry standard, and makes sure that the transmitter receives a minimum of 4 mA for correct powered operation.

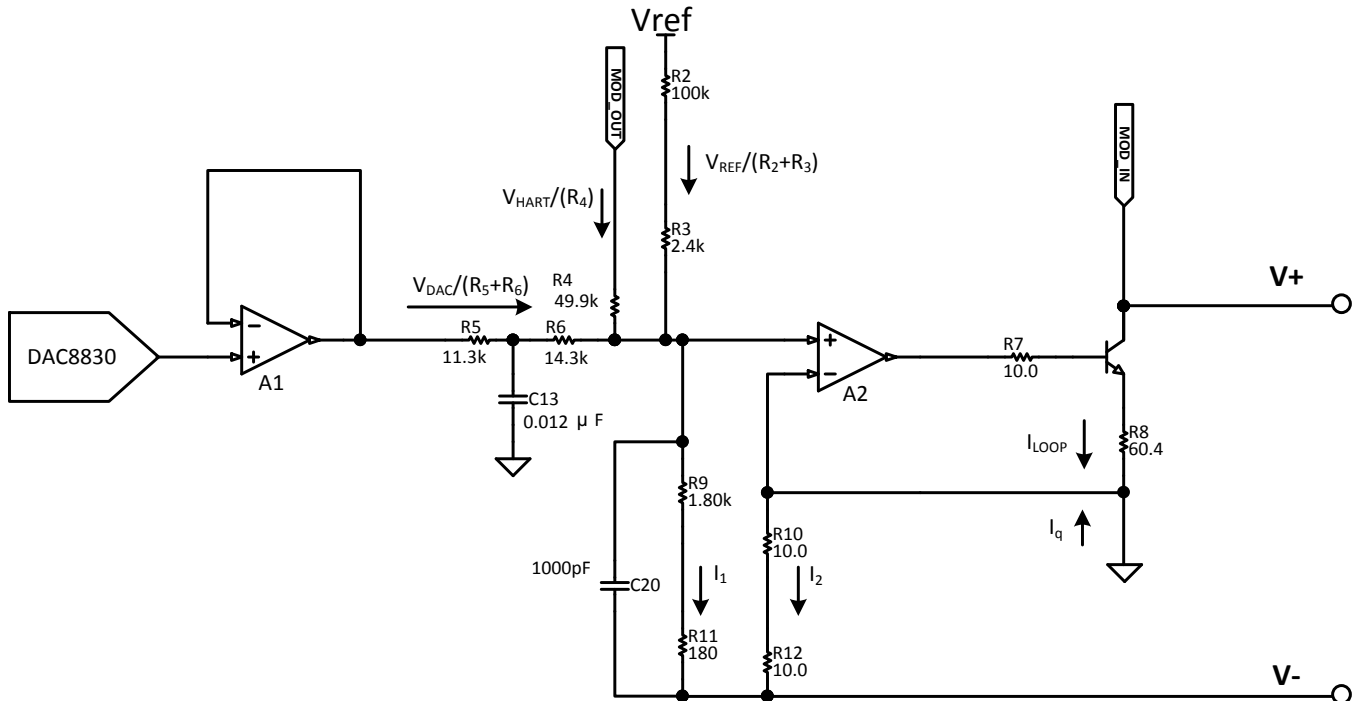


图 35. Simplified Schematic of the 2-Wire Current Loop

### 9.2.2.2 2-Wire Current Loop

The A2 op amp employs negative feedback to drive the potential at both input nodes, V+ and V–, to the same voltage. This establishes the set of KCL equations (1) – assuming no HART communication,  $V_{\text{HART}} = 0 \text{ V}$ .

$$I_1 = V_{\text{DAC}} / (25.6 \text{ k}\Omega) + V_{\text{REF}} / (102.4 \text{ k}\Omega) \quad (3)$$

A2 also drives the base of the NPN BJT, Q1, which enables current to flow from its collector through emitter pins and through the R8 resistor, while maintaining an equivalent potential drop from its input nodes to the net represented by TP4. This configuration drives the combined voltage drop across R9 and R11 to the same voltage drop across R10 and R12.

Using this relationship, along with current 公式 3 and 公式 4,  $I_{\text{OUT}}$  is calculated as follows:

$$I_2 = I_1 * (1.80 \text{ k}\Omega + 180) / (10 + 10) = I_1 * (1.980 \text{ k}\Omega / 20) = I_1 * 99 \quad (4)$$

$$I_{\text{OUT}} = I_1 + I_2 = [V_{\text{DAC}} / (25.6 \text{ k}\Omega) + V_{\text{REF}} / (102.4 \text{ k}\Omega)] + I_1 * 99 = [V_{\text{DAC}} / (25.6 \text{ k}\Omega) + V_{\text{REF}} / (102.4 \text{ k}\Omega)] * (100) \quad (5)$$

For a  $V_{\text{REF}}$  value of 4.096 V, the zero-scale portion of the transfer function,  $[V_{\text{REF}} / (102.4 \text{ k}\Omega)] * (100)$ , translates to 4 mA, while the span,  $[V_{\text{DAC}} / (25.6 \text{ k}\Omega)] * 100$ , encompasses 16 mA. This final product is a system capable of sourcing 4 mA to 20 mA, which is dependent on DAC output voltage. The value of R4 is responsible for converting the 500-mV<sub>PP</sub> HART signal into a 1-mA<sub>PP</sub> frequency shift keyed (FSK) signal that resides on top of the 4-mA to 20-mA analog current signal.

### 9.2.2.3 Regulator

The primary supply for the transmitter is the [TPS7A4101](#) device, which is a 50-V input, 50-mA Single output low-dropout linear regulator with very low quiescent current, 25  $\mu\text{A}$ . The device supplies a well-regulated voltage rail (1% accuracy), operating within an extended temperature range of  $-40^\circ\text{C}$  to  $+125^\circ\text{C}$ , and also withstands and maintains regulation during very high and fast voltage transients. In this design the LDO converts the external supply to a 5-V rail that is used by the DAC8830, LM4132 and OPA333/OPA335. The 200- $\Omega$  resistor that separates the loop supply from the LDO acts as a current limiting resistor at startup and additionally improves the overall receiver impedance of the design.

Generally, series references are preferred over shunt references because of their lower power consumption; in this case the LM4132 exhibits a maximum of 60- $\mu\text{A}$  quiescent current. Moreover, the device has an initial accuracy of 0.05% with a specified temperature coefficient of 10 ppm/ $^\circ\text{C}$  or less, and is capable of operating with these metrics at an extended temperature range of  $-40^\circ\text{C}$  to  $+125^\circ\text{C}$ .

In order to generate a 3.3-V supply for the DAC8740H, the TPS7B6933-Q1, a low-dropout linear regulator with low quiescent current, is incorporated into the design. This LDO is capable of operating over a wide temperature range of  $-40^\circ\text{C}$  to  $125^\circ\text{C}$ , while exhibiting a maximum quiescent value of 25  $\mu\text{A}$  over this temperature range.

### 9.2.2.4 DAC

After sufficient bypass, this precision reference voltage is applied to the VREF pin of the DAC8830 device. An accurate reference along with an accurate DAC are largely responsible for the overall accuracy of the current loop, as any accuracy errors associated with the DAC will propagate through the rest of the signal chain and decrease the accuracy of the solution. In this case, the DAC8830, a 16-bit voltage-output DAC with excellent linearity (1 LSB INL), low glitch, low noise, and fast settling was chosen to set the base line performance of the design.

### 9.2.2.5 Amplifiers

Next, the voltage output is buffered with the OPA333 CMOS operation amplifier, which features near-zero drift over time and temperature, low quiescent current (17  $\mu\text{A}$ ), and single supply operation with rail-to-rail output that swings within 50 mV of the supply rail.

As with the OPA333, the OPA335 was chosen due to its excellent DC accuracy specifications. These parameters include low input bias current, low offset voltage, and high CMRR/PSRR. In addition to these DC specifications, the OPA335 features an operating bandwidth of up to 2 MHz, which provides ample margin for HART communication.

### 9.2.2.6 Diodes

For transient voltage protection, a 40-V bidirectional transient voltage suppressor (TVS) diode is placed across the BUS lines of the design. Certain criteria should be considered when making this diode selection, such as the diode's working voltage, breakdown voltage, leakage current and power rating. In addition to these parameters, leakage current should also be factored into the design as it will impact the accuracy of the analog current loop.

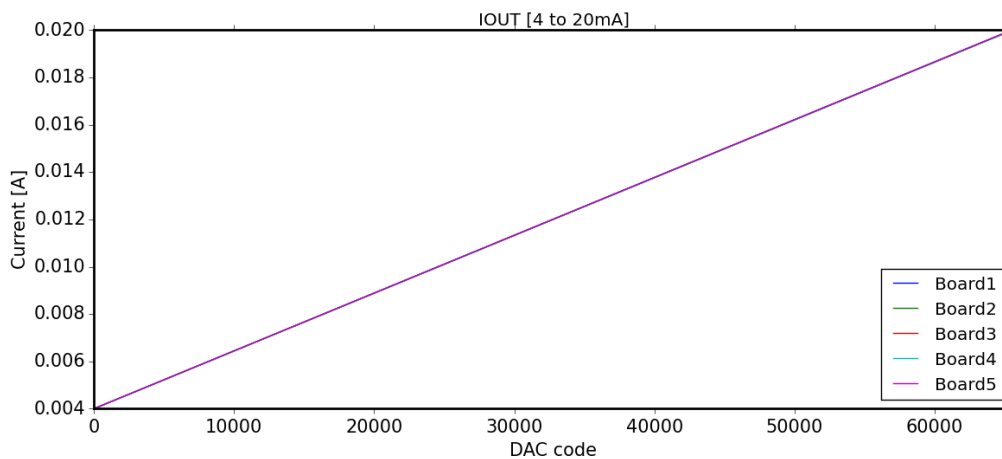
2-wire polarity protection is also employed by using the DSRHD10 as a diode bridge rectifier. The placement of this component makes sure that the current loop will always correctly operate regardless of the arrangement of input connections. As with other elements, consider the leakage and biasing voltages because these voltages affect system accuracy and compliance voltage.

### 9.2.2.7 Passives

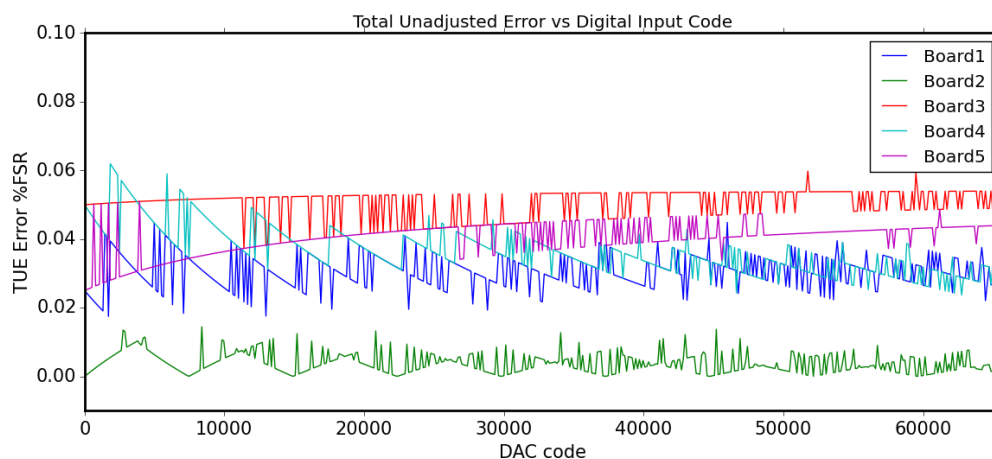
Among the passives included in the design, the gain setting resistors should be chosen to exhibit tight tolerances in order to achieve high accuracy. These resistors -- R4, R5, R6, R9, R11, R10, and R12 -- are primarily responsible for setting the gain of the current loop, along with primary path of the output current flow. Since the biased transistor, Q1, is responsible for sourcing most of the output current, components in the path of this current flow should be chosen with appropriate power ratings. In this case R8 is a 0.25-W resistor.

### 9.2.3 Application Curves

Five hundred data points were taken on five different boards, producing the 4-mA to 20-mA transfer function below in [图 36](#). The total unadjusted error (TUE) of the transmitters is displayed in [图 37](#).



**图 36. 4-mA to 20-mA Transfer Function**



**图 37. Total Unadjusted Error Graph of Application Circuit**

## 10 Power Supply Recommendations

The DAC874xH can operate with analog supplies from 2.7 V to 5.5 V and digital supplies from 1.71 V to 5.5 V, enabling interfacing host controller platforms with low voltage digital logic. For applications that are particularly focused on reducing power dissipation in the modem, use the lowest supply voltage available for both analog and digital supplies.

## 11 Layout

### 11.1 Layout Guidelines

Precision designs require careful layout, the list below provides some insight into good layout practices.

- Bypass all power-supply pins to ground with a low ESR ceramic bypass capacitor. The typical recommended bypass capacitance is 0.1 to 1  $\mu\text{F}$  ceramic with a X7R or NP0 dielectric.
- Place power supply and reference bypass capacitors close to the terminals to minimize inductance and optimize performance.
- A high-quality ceramic type NP0 or X7R is recommended for its optimal performance across temperature, and very low dissipation factor.
- The digital and analog sections should have proper placement with respect to the digital and analog components. The separation of analog and digital circuitry allows for better design and practice as it allows less coupling into neighboring blocks, and minimizes the interaction between analog and digital return currents.

### 11.2 Layout Example

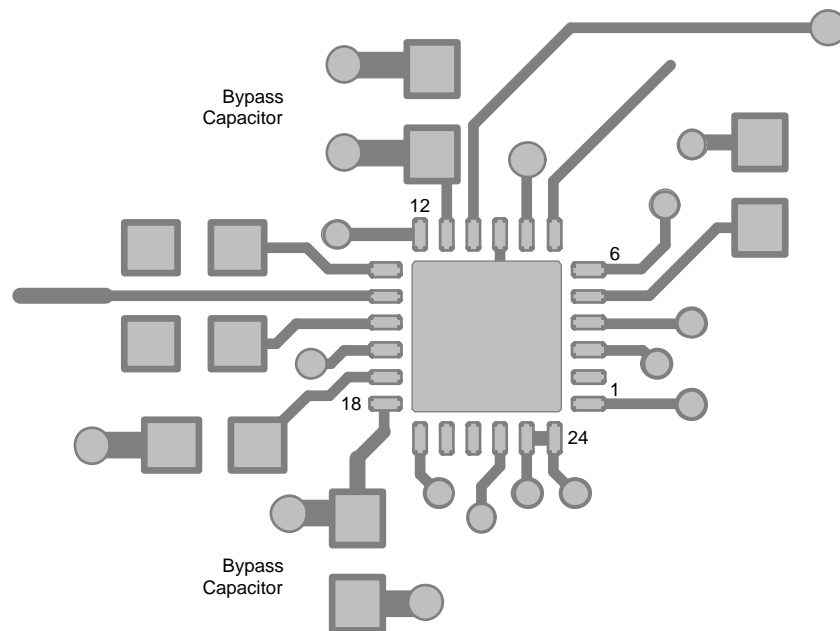


图 38. DAC8740H Basic Layout Example

Layout Example (接下页)

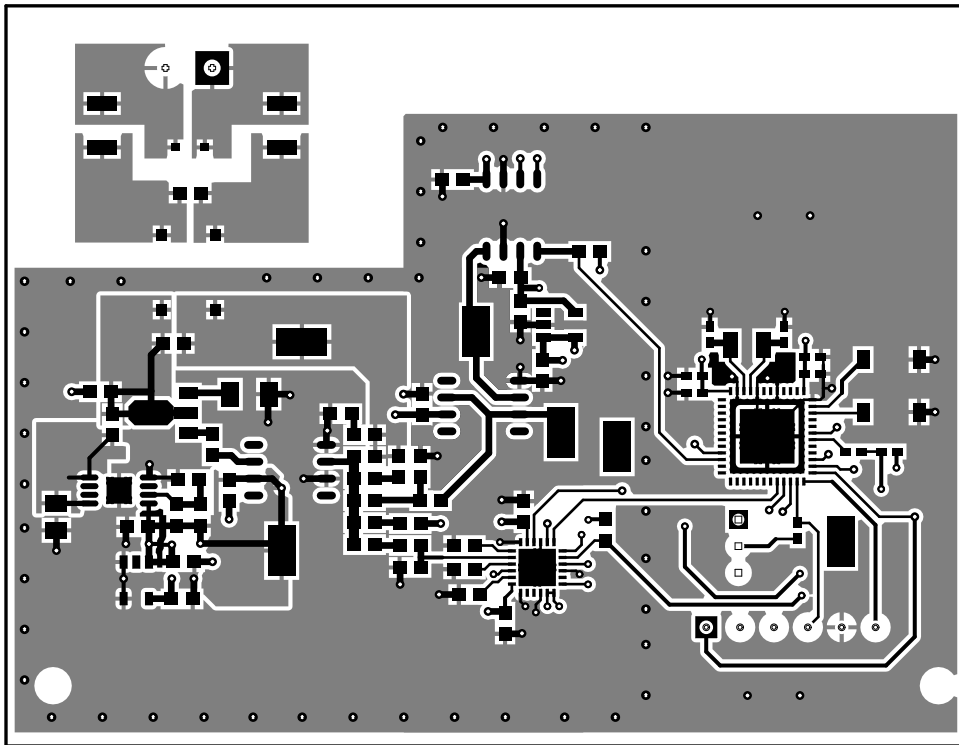


图 39. 2-Wire Transmitter With DAC8740H HART Modem Layout - Top Layer

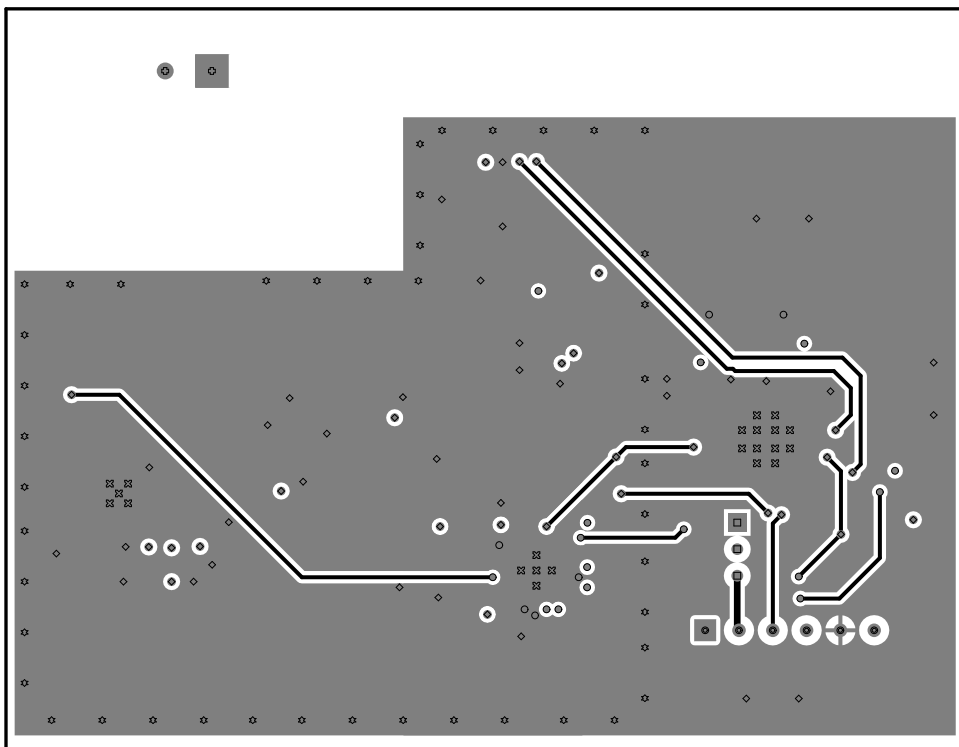


图 40. 2-Wire Transmitter With DAC8740H HART Modem Layout - Bottom Layer

## 12 器件和文档支持

### 12.1 文档支持

#### 12.1.1 相关文档

请参阅如下相关文档:

德州仪器 (TI), 《[DAC8742H 评估模块用户指南](#)》(适用于 DAC8740H 和 DAC8741H)

### 12.2 相关链接

**表 18** 列出了快速访问链接。类别包括技术文档、支持与社区资源、工具与软件, 以及申请样片或购买产品的快速链接。

**表 18. 相关链接**

器件	产品文件夹	立即订购	技术文档	工具与软件	支持和社区
DAC8740H	<a href="#">请单击此处</a>	<a href="#">请单击此处</a>	<a href="#">请单击此处</a>	<a href="#">请单击此处</a>	<a href="#">请单击此处</a>
DAC8741H	<a href="#">请单击此处</a>	<a href="#">请单击此处</a>	<a href="#">请单击此处</a>	<a href="#">请单击此处</a>	<a href="#">请单击此处</a>

### 12.3 接收文档更新通知

要接收文档更新通知, 请导航至 [TI.com.cn](http://TI.com.cn) 上的器件产品文件夹。单击右上角的 [通知我](#) 进行注册, 即可每周接收产品信息更改摘要。有关更改的详细信息, 请查看任何已修订文档中包含的修订历史记录。

### 12.4 社区资源

The following links connect to TI community resources. Linked contents are provided "AS IS" by the respective contributors. They do not constitute TI specifications and do not necessarily reflect TI's views; see TI's [Terms of Use](#).

**TI E2E™ Online Community *TI's Engineer-to-Engineer (E2E) Community***. Created to foster collaboration among engineers. At [e2e.ti.com](http://e2e.ti.com), you can ask questions, share knowledge, explore ideas and help solve problems with fellow engineers.

**Design Support *TI's Design Support*** Quickly find helpful E2E forums along with design support tools and contact information for technical support.

### 12.5 商标

E2E is a trademark of Texas Instruments.

FOUNDATION 现场总线 is a trademark of FieldComm Group.

HART is a registered trademark of FieldComm Group.

All other trademarks are the property of their respective owners.

### 12.6 静电放电警告



ESD 可能会损坏该集成电路。德州仪器 (TI) 建议通过适当的预防措施处理所有集成电路。如果不遵守正确的处理措施和安装程序, 可能会损坏集成电路。

ESD 的损坏小至导致微小的性能降级, 大至整个器件故障。精密的集成电路可能更容易受到损坏, 这是因为非常细微的参数更改都可能会导致器件与其发布的规格不相符。

### 12.7 Glossary

**SLYZ022** — *TI Glossary*.

This glossary lists and explains terms, acronyms, and definitions.

## 13 机械、封装和可订购信息

以下页面包含机械、封装和可订购信息。这些信息是指定器件的最新可用数据。数据如有变更, 恕不另行通知, 且不会对此文档进行修订。如需获取此数据表的浏览器版本, 请查阅左侧的导航栏。

**PACKAGING INFORMATION**

Orderable Device	Status (1)	Package Type	Package Drawing	Pins	Package Qty	Eco Plan (2)	Lead finish/ Ball material (6)	MSL Peak Temp (3)	Op Temp (°C)	Device Marking (4/5)	Samples
DAC8740HRGER	ACTIVE	VQFN	RGE	24	3000	RoHS & Green	NIPDAUAG	Level-2-260C-1 YEAR	-55 to 125	DAC 8740H	<a href="#">Samples</a>
DAC8740HRGET	ACTIVE	VQFN	RGE	24	250	RoHS & Green	NIPDAUAG	Level-2-260C-1 YEAR	-55 to 125	DAC 8740H	<a href="#">Samples</a>
DAC8741HRGER	ACTIVE	VQFN	RGE	24	3000	RoHS & Green	NIPDAUAG	Level-2-260C-1 YEAR	-55 to 125	DAC 8741H	<a href="#">Samples</a>
DAC8741HRGET	ACTIVE	VQFN	RGE	24	250	RoHS & Green	NIPDAUAG	Level-2-260C-1 YEAR	-55 to 125	DAC 8741H	<a href="#">Samples</a>

(1) The marketing status values are defined as follows:

**ACTIVE:** Product device recommended for new designs.

**LIFEBUY:** TI has announced that the device will be discontinued, and a lifetime-buy period is in effect.

**NRND:** Not recommended for new designs. Device is in production to support existing customers, but TI does not recommend using this part in a new design.

**PREVIEW:** Device has been announced but is not in production. Samples may or may not be available.

**OBSELETE:** TI has discontinued the production of the device.

(2) **RoHS:** TI defines "RoHS" to mean semiconductor products that are compliant with the current EU RoHS requirements for all 10 RoHS substances, including the requirement that RoHS substance do not exceed 0.1% by weight in homogeneous materials. Where designed to be soldered at high temperatures, "RoHS" products are suitable for use in specified lead-free processes. TI may reference these types of products as "Pb-Free".

**RoHS Exempt:** TI defines "RoHS Exempt" to mean products that contain lead but are compliant with EU RoHS pursuant to a specific EU RoHS exemption.

**Green:** TI defines "Green" to mean the content of Chlorine (Cl) and Bromine (Br) based flame retardants meet JS709B low halogen requirements of <=1000ppm threshold. Antimony trioxide based flame retardants must also meet the <=1000ppm threshold requirement.

(3) MSL, Peak Temp. - The Moisture Sensitivity Level rating according to the JEDEC industry standard classifications, and peak solder temperature.

(4) There may be additional marking, which relates to the logo, the lot trace code information, or the environmental category on the device.

(5) Multiple Device Markings will be inside parentheses. Only one Device Marking contained in parentheses and separated by a "~" will appear on a device. If a line is indented then it is a continuation of the previous line and the two combined represent the entire Device Marking for that device.

(6) Lead finish/Ball material - Orderable Devices may have multiple material finish options. Finish options are separated by a vertical ruled line. Lead finish/Ball material values may wrap to two lines if the finish value exceeds the maximum column width.

**Important Information and Disclaimer:** The information provided on this page represents TI's knowledge and belief as of the date that it is provided. TI bases its knowledge and belief on information provided by third parties, and makes no representation or warranty as to the accuracy of such information. Efforts are underway to better integrate information from third parties. TI has taken and



continues to take reasonable steps to provide representative and accurate information but may not have conducted destructive testing or chemical analysis on incoming materials and chemicals. TI and TI suppliers consider certain information to be proprietary, and thus CAS numbers and other limited information may not be available for release.

In no event shall TI's liability arising out of such information exceed the total purchase price of the TI part(s) at issue in this document sold by TI to Customer on an annual basis.

**TAPE AND REEL INFORMATION**

**QUADRANT ASSIGNMENTS FOR PIN 1 ORIENTATION IN TAPE**


\*All dimensions are nominal

Device	Package Type	Package Drawing	Pins	SPQ	Reel Diameter (mm)	Reel Width W1 (mm)	A0 (mm)	B0 (mm)	K0 (mm)	P1 (mm)	W (mm)	Pin1 Quadrant
DAC8740HRGER	VQFN	RGE	24	3000	330.0	12.4	4.25	4.25	1.15	8.0	12.0	Q2
DAC8740HRGET	VQFN	RGE	24	250	180.0	12.4	4.25	4.25	1.15	8.0	12.0	Q2
DAC8741HRGER	VQFN	RGE	24	3000	330.0	12.4	4.25	4.25	1.15	8.0	12.0	Q2
DAC8741HRGET	VQFN	RGE	24	250	180.0	12.4	4.25	4.25	1.15	8.0	12.0	Q2

## TAPE AND REEL BOX DIMENSIONS



\*All dimensions are nominal

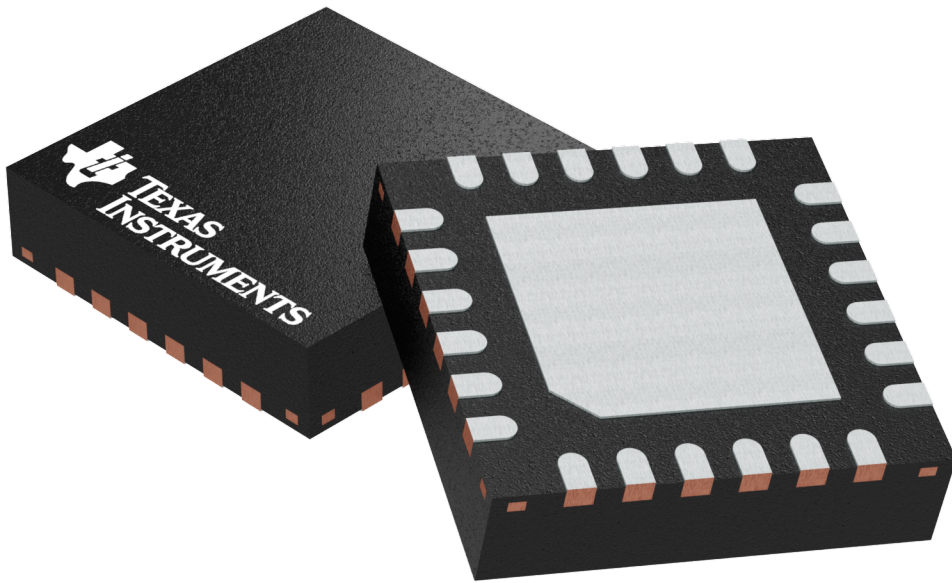
Device	Package Type	Package Drawing	Pins	SPQ	Length (mm)	Width (mm)	Height (mm)
DAC8740HRGER	VQFN	RGE	24	3000	346.0	346.0	33.0
DAC8740HRGET	VQFN	RGE	24	250	210.0	185.0	35.0
DAC8741HRGER	VQFN	RGE	24	3000	346.0	346.0	33.0
DAC8741HRGET	VQFN	RGE	24	250	210.0	185.0	35.0

## GENERIC PACKAGE VIEW

RGE 24

VQFN - 1 mm max height

PLASTIC QUAD FLATPACK - NO LEAD



Images above are just a representation of the package family, actual package may vary.  
Refer to the product data sheet for package details.

4204104/H

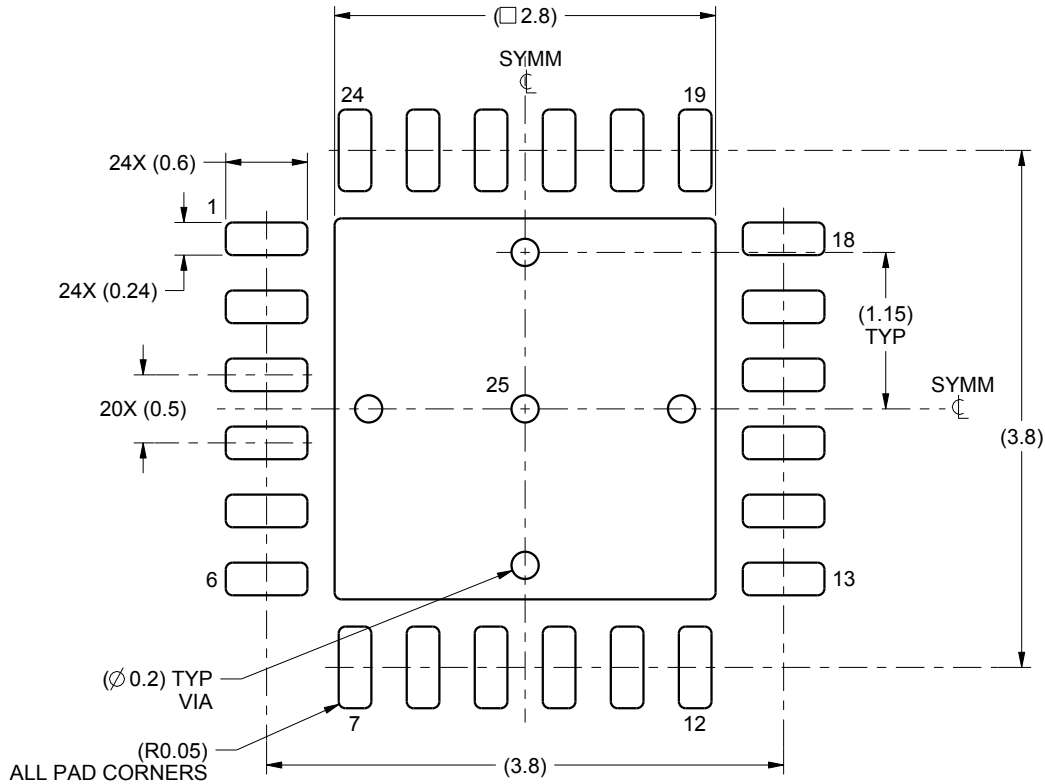


# EXAMPLE BOARD LAYOUT

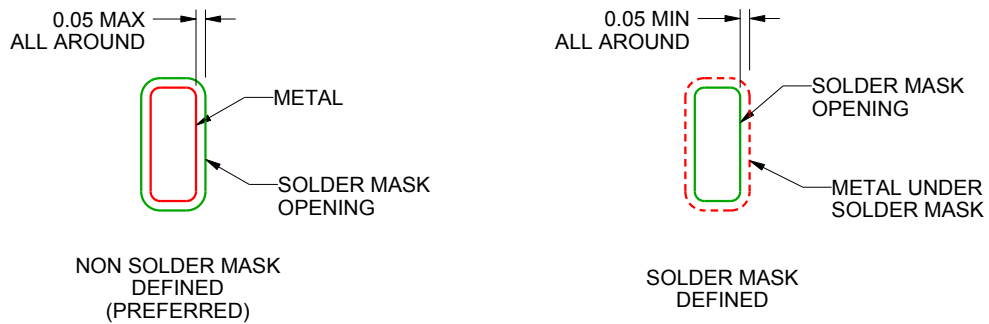
RGE0024F

VQFN - 1 mm max height

PLASTIC QUAD FLATPACK - NO LEAD



LAND PATTERN EXAMPLE  
SCALE:18X



SOLDER MASK DETAILS

4222437/A 12/2015

NOTES: (continued)

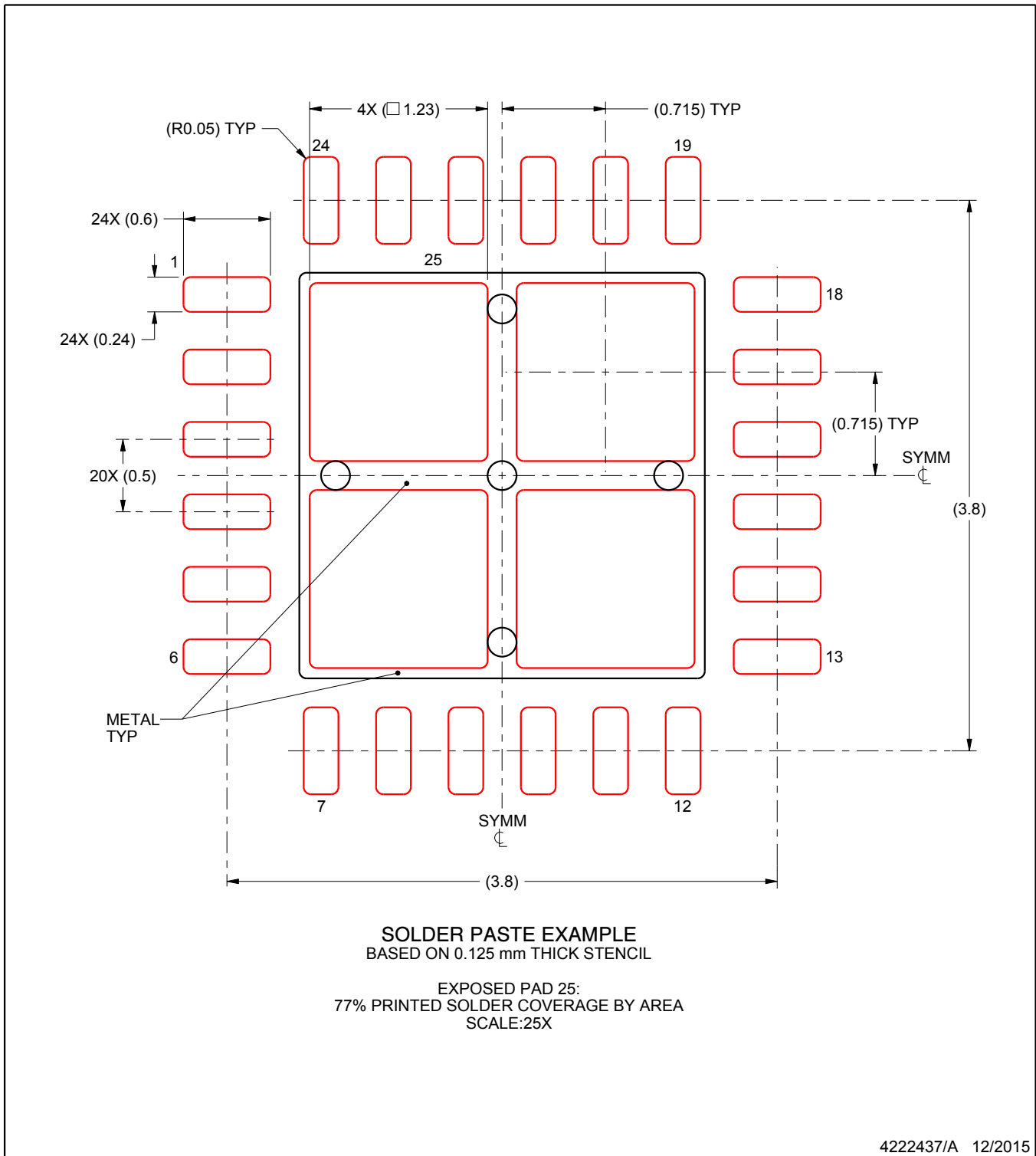
5. This package is designed to be soldered to a thermal pad on the board. For more information, see Texas Instruments literature number SLUA271 ([www.ti.com/lit/sluea271](http://www.ti.com/lit/sluea271)).
6. Vias are optional depending on application, refer to device data sheet. If some or all are implemented, recommended via locations are shown.

# EXAMPLE STENCIL DESIGN

RGE0024F

VQFN - 1 mm max height

PLASTIC QUAD FLATPACK - NO LEAD



NOTES: (continued)

7. Laser cutting apertures with trapezoidal walls and rounded corners may offer better paste release. IPC-7525 may have alternate design recommendations.

## 重要声明和免责声明

TI“按原样”提供技术和可靠性数据（包括数据表）、设计资源（包括参考设计）、应用或其他设计建议、网络工具、安全信息和其他资源，不保证没有瑕疵且不做任何明示或暗示的担保，包括但不限于对适销性、某特定用途方面的适用性或不侵犯任何第三方知识产权的暗示担保。

这些资源可供使用 TI 产品进行设计的熟练开发人员使用。您将自行承担以下全部责任：(1) 针对您的应用选择合适的 TI 产品，(2) 设计、验证并测试您的应用，(3) 确保您的应用满足相应标准以及任何其他功能安全、信息安全、监管或其他要求。

这些资源如有变更，恕不另行通知。TI 授权您仅可将这些资源用于研发本资源所述的 TI 产品的应用。严禁对这些资源进行其他复制或展示。您无权使用任何其他 TI 知识产权或任何第三方知识产权。您应全额赔偿因在这些资源的使用中对 TI 及其代表造成的任何索赔、损害、成本、损失和债务，TI 对此概不负责。

TI 提供的产品受 [TI 的销售条款](#) 或 [ti.com](#) 上其他适用条款/TI 产品随附的其他适用条款的约束。TI 提供这些资源并不会扩展或以其他方式更改 TI 针对 TI 产品发布的适用的担保或担保免责声明。

TI 反对并拒绝您可能提出的任何其他或不同的条款。

邮寄地址：Texas Instruments, Post Office Box 655303, Dallas, Texas 75265

Copyright © 2023，德州仪器 (TI) 公司