

DS92LV042x 10-MHz to-75 MHz Channel Link II Serializer and Deserializer With LVDS Parallel Interface

1 Features

- 5-Channel (4 Data + 1 Clock) Channel Link LVDS Parallel Interface Supports 24-Bit Data 3-Bit Control at 10 to 75 MHz
- AC-Coupled STP Interconnect Up to 10 m
- Integrated Terminations on Serializer and Deserializer
- At-Speed Link BIST Mode and Reporting Pin
- Optional I²C-Compatible Serial Control Bus
- Power-Down Mode Minimizes Power Dissipation
- 1.8-V or 3.3-V Compatible LVCMOS I/O Interface
- >8-kV HBM
- -40° to 85°C Temperature Range
- Serializer (DS92LV0421)
 - Data Scrambler for Reduced EMI
 - DC-Balance Encoder for AC Coupling
 - Selectable Output VOD and Adjustable De-Emphasis
- Deserializer (DS92LV0422)
 - Fast Random Data Lock; No Reference Clock Required
 - Adjustable Input Receiver Equalization
 - EMI Minimization on Output Parallel Bus (SSCG and LVDS VOD Select)

2 Applications

- Embedded Video and Displays
- Medical Imaging and Factory Automation
- Office Automation (Printers and Scanners)
- Security and Video Surveillance
- General-Purpose Data Communication

3 Description

The DS92LV042x chipset translates a Channel Link LVDS video interface (4 LVDS Data + LVDS Clock) into a high-speed serialized interface over a single CML pair. The DS92LV042x enables applications currently using popular Channel Link or OpenLDI LVDS style devices to upgrade seamlessly to an embedded clock interface. This serial bus scheme reduces interconnect cost and eases design challenges. The parallel OpenLDI LVDS interface also reduces FPGA I/O pins, board trace count, and alleviates EMI issues when compared to traditional single-ended wide bus interfaces.

Programmable transmit de-emphasis, receive equalization, on-chip scrambling, and DC-balancing enables longer distance transmission over lossy cables and backplanes. The DS92LV0422 automatically locks to incoming data without an external reference clock or special sync patterns, providing easy *plug-and-go* operation.

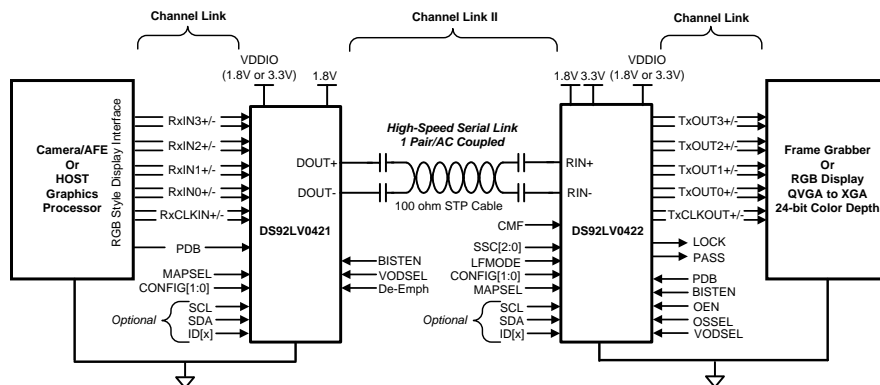
The DS92LV042x chipset is programmable through an I²C interface as well as through pins. A built-in, at-speed BIST feature validates link integrity and may be used for system diagnostics. The DS92LV0421 and DS92LV0422 can be used interchangeably with the DS92LV2421 or DS92LV2422. This allows designers the flexibility to connect to the host device and receiving devices with different interface types: LVDS or LVCMOS.

Device Information⁽¹⁾

| PART NUMBER | PACKAGE | BODY SIZE (NOM) |
|-------------|-----------|-------------------|
| DS92LV0421 | WQFN (36) | 6.00 mm x 6.00 mm |
| DS92LV0422 | WQFN (48) | 7.00 mm x 7.00 mm |

(1) For all available packages, see the orderable addendum at the end of the data sheet.

Typical Application Block Diagram



Copyright © 2016, Texas Instruments Incorporated



Table of Contents

| | | | |
|--|-----------|--|-----------|
| 1 Features | 1 | 7.3 Feature Description..... | 24 |
| 2 Applications | 1 | 7.4 Device Functional Modes..... | 36 |
| 3 Description | 1 | 7.5 Register Maps | 37 |
| 4 Revision History | 2 | 8 Application and Implementation | 40 |
| 5 Pin Configuration and Functions | 4 | 8.1 Application Information..... | 40 |
| 6 Specifications | 9 | 8.2 Typical Application | 43 |
| 6.1 Absolute Maximum Ratings | 9 | 9 Power Supply Recommendations | 46 |
| 6.2 ESD Ratings..... | 9 | 10 Layout | 47 |
| 6.3 Recommended Operating Conditions..... | 9 | 10.1 Layout Guidelines | 47 |
| 6.4 Thermal Information | 10 | 10.2 Layout Example | 49 |
| 6.5 Electrical Characteristics: Serializer DC | 10 | 11 Device and Documentation Support | 50 |
| 6.6 Electrical Characteristics: Deserializer DC | 11 | 11.1 Device Support..... | 50 |
| 6.7 Electrical Characteristics: DC and AC Serial Control Bus | 13 | 11.2 Documentation Support | 50 |
| 6.8 Timing Requirements: Serial Control Bus..... | 13 | 11.3 Related Links | 50 |
| 6.9 Switching Characteristics: Serializer..... | 14 | 11.4 Receiving Notification of Documentation Updates | 50 |
| 6.10 Switching Characteristics: Deserializer..... | 15 | 11.5 Community Resources..... | 50 |
| 6.11 Typical Characteristics | 22 | 11.6 Trademarks | 50 |
| 7 Detailed Description | 23 | 11.7 Electrostatic Discharge Caution..... | 51 |
| 7.1 Overview | 23 | 11.8 Glossary..... | 51 |
| 7.2 Functional Block Diagrams | 23 | 12 Mechanical, Packaging, and Orderable Information | 51 |

4 Revision History

NOTE: Page numbers for previous revisions may differ from page numbers in the current version.

Changes from Revision C (April 2013) to Revision D

Page

| | |
|---|-----------|
| • Added Device Information table, Pin Configuration and Functions section, Specifications section, ESD Ratings table, Thermal Information table, Typical Characteristics section, Detailed Description section, Application and Implementation section, Power Supply Recommendations section, Layout section, Device and Documentation Support section, and Mechanical, Packaging, and Orderable Information section..... | 1 |
| • Added OpenLDI LVDS as an acceptable parallel interface to the DS92LV024x chipset..... | 1 |
| • Changed RXIN and RXCLKIN to TXOUT and TXCLKOUT to correct pin name typos | 6 |
| • Changed output state of deserializer when PDB = 1 to be TRI-STATE, not logic high | 6 |
| • Deleted Power dissipation rows from the Absolute Maximum Ratings table | 9 |
| • Changed Junction-to-ambient, $R_{\theta JA}$, values in Thermal Information table From: 27.4°C/W To: 33.8°C/W (NJK) and From: 27.7°C/W to: 28.8°C/W (RHS) | 10 |
| • Changed Junction-to-case, $R_{\theta JC(top)}$, values in Thermal Information table From: 4.5°C/W To: 15.8°C/W (NJK) and From: 3.0°C/W To: 9.3°C/W (RHS) | 10 |
| • Deleted note in Electrical Characteristics: Serializer DC table stating that conditions are verified by characterization or design and not tested in production, as this note only applies to a subset of tested parameters | 10 |
| • Changed minimum and maximum value of serializer I_{IN} for LVDS receiver DC specification | 10 |
| • Changed de-emphasis test condition for serializer I_{DD} supply current | 11 |
| • Changed I_{OL} condition for serial bus V_{OL} parameter from 3 mA to 0.5 mA | 13 |
| • Changed RPU = 10 kΩ condition for the Serial Control Bus Characteristics of t_R and t_F | 13 |
| • Changed t_{PLD} footnote to include t_{DDLTL} parameter | 14 |
| • Changed notation for serial bit stream UI footnote to clarify 1 UI = 1 / (28 x CLK) | 14 |
| • Changed footnote for deserializer LVDS output units to clarify that parallel interface UI refers to Channel Link format (1 UI = 1 / [7 x CLK]) instead of Channel Link II format (1 UI = 1 / [28 x CLK]) | 15 |
| • Changed DS92LV0422 LVDS Transmitter Pulse Positions image to correct diagram labeling..... | 18 |
| • Changed parallel interface description of deserializer From: wide parallel output bus To: Channel Link LVDS clock | |

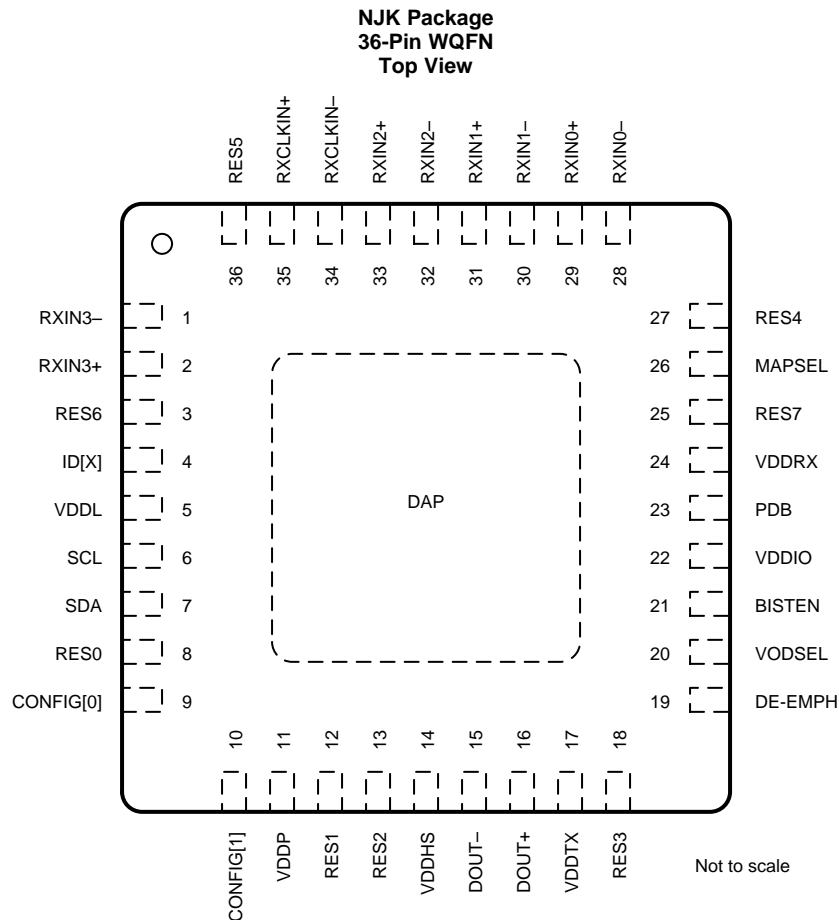
Revision History (continued)

| | |
|---|----|
| and data bus..... | 28 |
| • Deleted support for output data and clock slew rate control | 28 |
| • Changed CMF cap recommendation from 0.1 μ F to 4.7 μ F | 28 |
| • Changed <i>SSCG Configuration (LFMODE = L)</i> table and <i>SSCG Configuration (LFMODE = H)</i> table to clarify correct SSC[2:0] behavior..... | 29 |
| • Changed <i>PDB, OEN, and OSS_SEL Configuration</i> table to clarify correct behavior with PDB, OEN, and OSS_SEL pins | 31 |
| • Changed BISTEN detail in <i>BIST Waveforms</i> image so that serializer and deserializer are generic | 33 |
| • Changed description of Serializer VODSEL from Reg 0x00[4] to Reg 0x00[5] | 37 |
| • Changed Serializer Reg 0x00[3:2] description from Reserved to Reverse-Compatibility Mode bits | 37 |
| • Changed Deserializer Reg 0x00[3:2] description from Reserved to Reverse-Compatibility Mode bits | 38 |

Changes from Revision B (April 2013) to Revision C
Page

| | |
|--|---|
| • Changed layout of National Semiconductor Data Sheet to TI format | 1 |
|--|---|

5 Pin Configuration and Functions



Pin Functions: DS92LV0421

| PIN | | TYPE ⁽¹⁾ | DESCRIPTION ⁽²⁾ |
|--|------------------|---------------------|---|
| NAME | NO. | | |
| CHANNEL LINK PARALLEL INPUT INTERFACE | | | |
| RXCLKIN+ | 35 | I | True LVDS Clock Input This pair must have a 100-Ω termination for standard LVDS levels. |
| RXCLKIN- | 34 | I | Inverting LVDS Clock Input This pair must have a 100-Ω termination for standard LVDS levels. |
| RXIN[3:0]+ | 2, 33, 31, 29 | I | True LVDS Data Input This pair must have a 100-Ω termination for standard LVDS levels. |
| RXIN[3:0]- | 1, 32, 30, 28 | I | Inverting LVDS Data Input This pair must have a 100-Ω termination for standard LVDS levels. |
| CHANNEL LINK II SERIAL OUTPUT INTERFACE | | | |
| DOUT+ | 16 | O | True Output, CML The output must be AC-coupled with a 0.1-μF capacitor. |
| DOUT- | 15 | O | Inverting Output, CML The output must be AC-coupled with a 0.1-μF capacitor. |

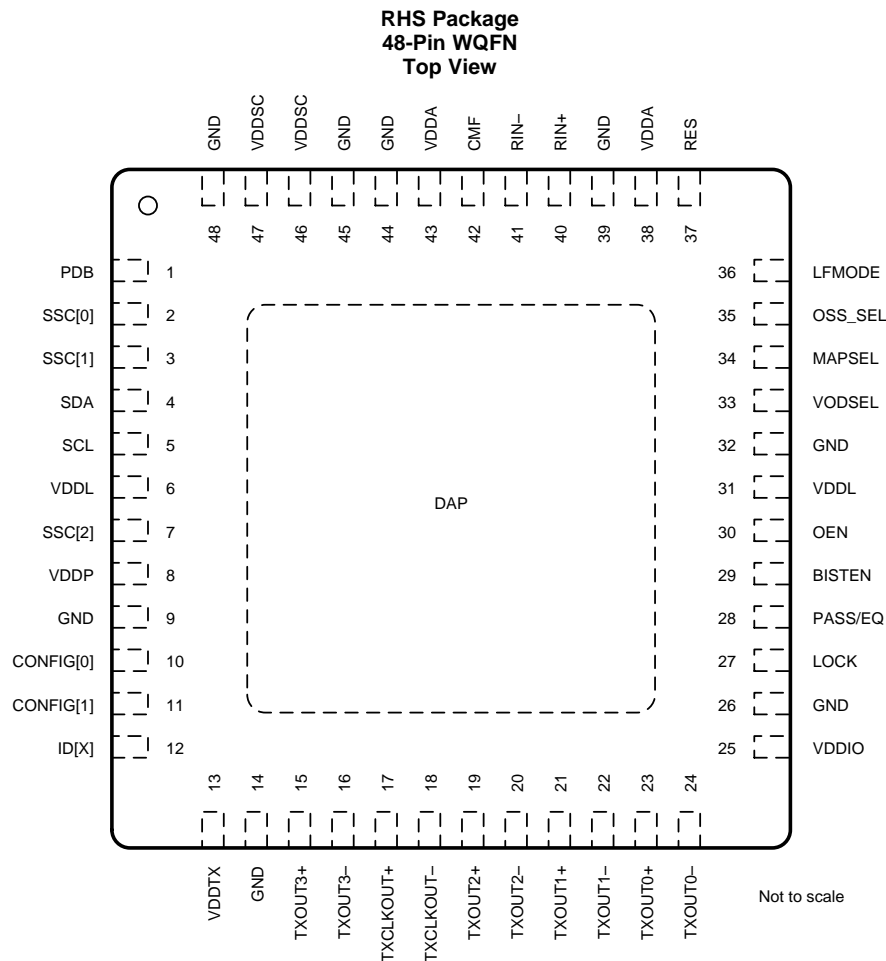
(1) G = Ground, I = Input, O = Output, and P = Power

(2) 1 = HIGH, 0 = LOW

Pin Functions: DS92LV0421 (continued)

| PIN | | TYPE ⁽¹⁾ | DESCRIPTION ⁽²⁾ |
|---------------------------------------|------------------------------------|---------------------|--|
| NAME | NO. | | |
| CONTROL AND CONFIGURATION | | | |
| CONFIG[1:0] | 10, 9 | I | Operating Modes: Pin or Register Control, LVCMOS with pulldown. Determines the device operating mode and interfacing device (see Table 10). CONFIG[1:0] = 00: Interfacing to DS92LV2422 or DS92LV0422, Control Signal Filter DISABLED CONFIG[1:0] = 01: Interfacing to DS92LV2422 or DS92LV0422, Control Signal Filter ENABLED CONFIG [1:0] = 10: Interfacing to DS90UR124, DS99R124Q-Q1 CONFIG [1:0] = 11: Interfacing to DS90C124 |
| DE-EMPH | 19 | I | De-emphasis Control: Pin or Register Control, Analog with pullup. De-emphasis = Open (float) - disabled To enable De-emphasis, tie a resistor from this pin to Ground or control through register (see Table 2). |
| MAPSEL | 26 | I | Channel Link Map Select: Pin or Register Control, LVCMOS with pulldown. MAPSEL = 1, MSB on RXIN3± (see Figure 23). MAPSEL = 0, LSB on RXIN3± (see Figure 24). |
| PDB | 23 | I | Power-down Mode input, LVCMOS with pulldown. PDB = 1, serializer is enabled (normal operation). See Power Supply Recommendations for more information. PDB = 0, serializer is powered down When the serializer is in the power-down state, the driver outputs (DOUT±) are both logic high, the PLL is shut down, and IDD is minimized. Control Registers are RESET. |
| RES[7:0] | 25, 3, 36, 27, 18, 13, 12, 8 | I | Reserved (tie low), LVCMOS with pulldown. |
| VODSEL | 20 | I | Differential Driver Output Voltage Select: Pin or Register Control, LVCMOS with pulldown. VODSEL = 1, CML VOD is ±450 mV, 900 mVp-p (typical): long cable or de-emphasis applications VODSEL = 0, CML VOD is ±300 mV, 600 mVp-p (typical): short cable (no de-emphasis), low power mode |
| OPTIONAL BIST MODE | | | |
| BISTEN | 21 | I | BIST Mode: Optional, LVCMOS with pulldown. BISTEN = 1, BIST is enabled BISTEN = 0, BIST is disabled (normal operation) |
| OPTIONAL SERIAL BUS CONTROL | | | |
| ID[X] | 4 | I | Serial Control Bus Device ID Address Select: Optional, Analog Resistor to Ground and 10-kΩ pullup to 1.8-V rail (see Table 8). |
| SCL | 6 | I | Serial Control Bus Clock Input: Optional, LVCMOS (open-drain) SCL requires an external pullup resistor to V _{DDIO} . |
| SDA | 7 | I/O | Serial Control Bus Data Input or Output: Optional, LVCMOS (open-drain) SDA requires an external pullup resistor V _{DDIO} . |
| POWER AND GROUND⁽³⁾ | | | |
| DAP | GND | G | DAP is the large metal contact at the bottom side, located at the center of the WQFN package. Connect to the ground plane (GND) with at least 9 vias. |
| VDDHS | 14 | P | TX high-speed logic power, 1.8 V ±5% |
| VDDIO | 22 | P | LVCMOS I/O power and Channel Link I/O power, 1.8 V ±5% or 3.3 V ±10% |
| VDDL | 5 | P | Logic power, 1.8 V ±5% |
| VDDP | 11 | P | PLL power, 1.8 V ±5% |
| VDDR _X | 24 | P | RX power, 1.8 V ±5% |
| VDDT _X | 17 | P | Output driver power, 1.8 V ±5% |

(3) The VDD (V_{DDn} and V_{DDIO}) supply ramp must be faster than 1.5 ms with a monotonic rise. If slower than 1.5 ms, a capacitor on the PDB pin is required to ensure PDB arrives after all the VDD supplies have settled to the recommended operating voltage.


Pin Functions: DS92LV0422

| PIN | | TYPE ⁽¹⁾ | DESCRIPTION ⁽²⁾ |
|---|-------------------|---------------------|---|
| NAME | NO. | | |
| CHANNEL LINK II SERIAL INPUT INTERFACE | | | |
| CMF | 42 | I | Common-mode filter, Analog VCM center-tap is a virtual Ground which may be AC-coupled to Ground to increase receiver common mode noise immunity. Recommended value is 4.7 μ F or higher. |
| RIN+ | 40 | I | True Input, CML The output must be AC-coupled with a 0.1- μ F capacitor. |
| RIN- | 41 | I | Inverting Input, CML The output must be AC-coupled with a 0.1- μ F capacitor. |
| CHANNEL LINK PARALLEL OUTPUT INTERFACE | | | |
| TXCLKOUT+ | 17 | O | True LVDS Clock Output This pair must have a 100- Ω termination for standard LVDS levels. |
| TXCLKOUT- | 18 | O | Inverting LVDS Clock Output This pair must have a 100- Ω termination for standard LVDS levels. |
| TXOUT[3:0]+ | 15, 19, 21, 23 | O | True LVDS Data Output This pair must have a 100- Ω termination for standard LVDS levels. |
| TXOUT[3:0]- | 16, 20, 22, 24 | O | Inverting LVDS Data Output This pair must have a 100- Ω termination for standard LVDS levels. |

(1) G = Ground, I = Input, O = Output, and P = Power

(2) 1= HIGH, 0 = LOW

Pin Functions: DS92LV0422 (continued)

| PIN | | TYPE ⁽¹⁾ | DESCRIPTION ⁽²⁾ |
|--|-----------|---------------------|--|
| NAME | NO. | | |
| LVC MOS OUTPUTS | | | |
| LOCK | 27 | O | LOCK Status Output, LVC MOS LOCK = 1, PLL is locked, output stated determined by OEN. LOCK = 0, PLL is unlocked, output states determined by OSS_SEL and OEN. See Table 7 . |
| CONTROL AND CONFIGURATION | | | |
| CONFIG[1:0] | 11, 10 | I | Operating Modes: Pin or Limited Register Control, LVC MOS with pulldown. Determine the device operating mode and interfacing device. (see Table 10). CONFIG[1:0] = 00: Interfacing to DS92LV2421 or DS92LV0421, Control Signal Filter DISABLED CONFIG[1:0] = 01: Interfacing to DS92LV2421 or DS92LV0421, Control Signal Filter ENABLED CONFIG [1:0] = 10: Interfacing to DS90UR241, DS99R421 CONFIG [1:0] = 11: Interfacing to DS90C124 |
| LFMODE | 36 | I | SSCG Low Frequency Mode: Pin or Register Control, LVC MOS with pulldown. LFMODE = 1, low frequency mode (TXCLKOUT = 10–20 MHz) LFMODE = 0, high frequency mode (TXCLKOUT = 20–65 MHz) SSCG not available above 65 MHz. |
| MAPSEL | 34 | I | Channel Link Map Select: Pin or Register Control, LVC MOS with pulldown. MAPSEL = 1, MSB on TXOUT3± (see Figure 23). MAPSEL = 0, LSB on TXOUT3± (see Figure 24). |
| OEN | 30 | I | Output Enable, LVC MOS with pulldown. See Table 7 for details. |
| OSS_SEL | 35 | I | Output Sleep State Select Input, LVC MOS with pulldown. See Table 7 for details. |
| PDB | 1 | I | Power-down Mode Input, LVC MOS with pulldown. PDB = 1, deserializer is enabled (normal operation). See Power Supply Recommendations for more information. PDB = 0, deserializer is powered down. When the deserializer is in the power-down state, the driver outputs (TXOUT±) are in TRI-STATE. Control Registers are RESET. |
| RES | 37 | I | Reserved (tie low), LVC MOS with pulldown. |
| SSC[2:0] | 7, 3, 2 | I | Spread Spectrum Clock Generation (SSCG) Range Select, LVC MOS with pulldown. See Table 5 and Table 6 . |
| VODSEL | 33 | I | Parallel LVDS Driver Output Voltage Select: Pin or Register Control, LVC MOS with pulldown. VODSEL = 1, LVDS VOD is ±400 mV, 800 mVp-p (typical) VODSEL = 0, LVDS VOD is ±250 mV, 500 mVp-p (typical) |
| CONTROL AND CONFIGURATION — STRAP PIN | | | |
| EQ | 28 [PASS] | I | EQ Gain Control of Channel Link II Serial Input, STRAP, LVC MOS with pulldown EQ = 1, EQ gain is enabled (~13 dB) EQ = 0, EQ gain is disabled (~1.625 dB) |
| OPTIONAL BIST MODE | | | |
| BISTEN | 29 | I | BIST Mode: Optional, LVC MOS with pulldown. BISTEN = 1, BIST is enabled BISTEN = 0, BIST is disabled |
| PASS | 28 | O | PASS Output (BIST Mode): Optional, LVC MOS PASS = 1, no errors detected PASS = 0, errors detected Leave open if unused. Route to a test point (pad) recommended. |
| OPTIONAL SERIAL BUS CONTROL | | | |
| ID[X] | 12 | I | Serial Control Bus Device ID Address Select: Optional, Analog Resistor to Ground and 10-kΩ pullup to 1.8-V rail (see Table 8). |
| SCL | 5 | I | Serial Control Bus Clock Input: Optional, LVC MOS (open drain) SCL requires an external pullup resistor to 3.3 V. |
| SDA | 4 | I/O | Serial Control Bus Data Input or Output: Optional, LVC MOS (open drain) SDA requires an external pullup resistor 3.3 V. |

Pin Functions: DS92LV0422 (continued)

| PIN | | TYPE ⁽¹⁾ | DESCRIPTION ⁽²⁾ |
|---------------------------------------|-------------------------------------|---------------------|---|
| NAME | NO. | | |
| POWER AND GROUND⁽³⁾ | | | |
| DAP | DAP | G | DAP is the large metal contact at the bottom side, located at the center of the WQFN package. Connect to the ground plane (GND) with at least 9 vias. |
| GND | 9, 14, 26, 32, 39, 44, 45, 48 | G | Ground |
| VDDA | 38, 43 | P | Analog power, 1.8 V \pm 5% |
| VDDIO | 25 | P | LVC MOS I/O power and Channel Link I/O power, 1.8 V \pm 5% or 3.3 V \pm 10% |
| VDDL | 6, 31 | P | Logic power, 1.8 V \pm 5% |
| VDDP | 8 | P | PLL power, 1.8 V \pm 5% |
| VDDSC | 46, 47 | P | SSCG power, 1.8 V \pm 5% |
| VDDTX | 13 | P | Channel Link LVDS parallel output power, 3.3 V \pm 10% |

(3) The VDD (V_{DDn} and V_{DDIO}) supply ramp must be faster than 1.5 ms with a monotonic rise. If slower than 1.5 ms, a capacitor on the PDB pin is required to ensure PDB arrives after all the VDD supplies have settled to the recommended operating voltage.

6 Specifications

6.1 Absolute Maximum Ratings

over operating free-air temperature range (unless otherwise noted)⁽¹⁾⁽²⁾⁽³⁾

| | | MIN | MAX | UNIT |
|---|---------------------------------|------|-------------------------|------|
| Supply voltage | V _{DDn} (1.8 V) | -0.3 | 2.5 | V |
| | V _{DDIO} | -0.3 | 4 | |
| | Serializer, V _{DDTX} | -0.3 | 2.5 | |
| | Deserializer, V _{DDTX} | -0.3 | 4 | |
| LVCMOS I/O voltage | | -0.3 | V _{DDIO} + 0.3 | V |
| Serializer LVDS input voltage | | -0.3 | V _{DDIO} + 0.3 | V |
| Deserializer LVDS output voltage | | -0.3 | V _{DDTX} + 0.3 | V |
| Serializer CML driver output voltage | | -0.3 | V _{DDn} + 0.3 | V |
| Deserializer CML receiver input voltage | | -0.3 | V _{DD} + 0.3 | V |
| Junction temperature, T _J | | | 150 | °C |
| Storage temperature, T _{stg} | | -65 | 150 | °C |

- (1) Stresses beyond those listed under *Absolute Maximum Ratings* may cause permanent damage to the device. These are stress ratings only, which do not imply functional operation of the device at these or any other conditions beyond those indicated under *Recommended Operating Conditions*. Exposure to absolute-maximum-rated conditions for extended periods may affect device reliability.
- (2) If Military/Aerospace specified devices are required, please contact the Texas Instruments Sales Office/Distributors for availability and specifications.
- (3) For soldering specifications, see *Absolute Maximum Ratings for Soldering* (SNOA549).

6.2 ESD Ratings

| | | VALUE | UNIT |
|--|--|---------|------|
| V _(ESD) Electrostatic discharge | Human-body model (HBM), per ANSI/ESDA/JEDEC JS-001 ⁽¹⁾ | ±8000 | V |
| | Charged-device model (CDM), per JEDEC specification JESD22-C101 ⁽²⁾ | ±1250 | |
| | Machine Model | ±250 | |
| | IEC 61000-4-2, powered-up only contact discharge R _D = 330 Ω, C _S = 150 pF (R _{IN+} , R _{IN-}) | >±8000 | |
| | IEC 61000-4-2, powered-up only air-gap discharge R _D = 330 Ω, C _S = 150 pF (R _{IN+} , R _{IN-}) | >±30000 | |

- (1) JEDEC document JEP155 states that 500-V HBM allows safe manufacturing with a standard ESD control process.
- (2) JEDEC document JEP157 states that 250-V CDM allows safe manufacturing with a standard ESD control process.

6.3 Recommended Operating Conditions

over operating free-air temperature range (unless otherwise noted)

| | | MIN | NOM | MAX | UNIT |
|-------------------|---------------------------------------|------|-----|------|-------------------|
| V _{DDn} | Supply voltage | 1.71 | 1.8 | 1.89 | V |
| V _{DDTX} | Supply voltage (serializer) | 1.71 | 1.8 | 1.89 | V |
| V _{DDTX} | Supply voltage (deserializer) | 3 | 3.3 | 3.6 | V |
| V _{DDIO} | LVCMOS supply voltage (1.8-V nominal) | 1.71 | 1.8 | 1.89 | V |
| V _{DDIO} | LVCMOS supply voltage (3.3-V nominal) | 3 | 3.3 | 3.6 | V |
| | Clock frequency | | | 75 | MHz |
| | Supply noise ⁽¹⁾ | | | 100 | mV _{p-p} |
| T _A | Operating free-air temperature | -40 | 25 | 85 | °C |

- (1) Supply noise testing was done with minimum capacitors on the PCB. A sinusoidal signal is AC-coupled to the V_{DDn} (1.8 V) supply with amplitude = 100 mV_{p-p} measured at the device V_{DDn} pins. Bit error rate testing of input to the serializer and output of the deserializer with 10 meter cable shows no error when the noise frequency on the serializer is less than 750 kHz. The deserializer, on the other hand, shows no error when the noise frequency is less than 400 kHz.

6.4 Thermal Information

over operating free-air temperature range (unless otherwise noted)

| THERMAL METRIC ⁽¹⁾ | | DS92LV0421 | DS92LV0422 | UNIT |
|-------------------------------|--|------------|------------|------|
| | | NJK (WQFN) | RHS (WQFN) | |
| | | 36 PINS | 48 PINS | |
| R _{θJA} | Junction-to-ambient thermal resistance ⁽²⁾ | 33.8 | 28.8 | °C/W |
| R _{θJC(top)} | Junction-to-case (top) thermal resistance ⁽²⁾ | 15.8 | 9.3 | °C/W |
| R _{θJB} | Junction-to-board thermal resistance | 7.2 | 5.7 | °C/W |
| ψ _{JT} | Junction-to-top characterization parameter | 0.2 | 0.1 | °C/W |
| ψ _{JB} | Junction-to-board characterization parameter | 7.1 | 5.7 | °C/W |
| R _{θJC(bot)} | Junction-to-case (bottom) thermal resistance | 2.6 | 1.6 | °C/W |

 (1) For more information about traditional and new thermal metrics, see the [Semiconductor and IC Package Thermal Metrics](#) application report.

(2) Based on nine thermal vias.

6.5 Electrical Characteristics: Serializer DC

 over recommended operating supply and temperature ranges (unless otherwise noted)⁽¹⁾⁽²⁾

| PARAMETER | TEST CONDITIONS | MIN | TYP | MAX | UNIT | | | |
|--|---|---|-------------------------------------|------|--------------------------|-------|----|----|
| LVC MOS INPUT DC SPECIFICATIONS | | | | | | | | |
| V _{IH} | High-level input voltage | V _{DDIO} = 3 V to 3.6 V (PDB, VODSEL, MAPSEL, CONFIG[1:0], BISTEN pins) | 2 | | V _{DDIO} | V | | |
| | | V _{DDIO} = 1.71 V to 1.89 V (PDB, VODSEL, MAPSEL, CONFIG[1:0], BISTEN pins) | 0.65 × V _{DDIO} | | V _{DDIO} | | | |
| V _{IL} | Low-level input voltage | V _{DDIO} = 3 V to 3.6 V (PDB, VODSEL, MAPSEL, CONFIG[1:0], BISTEN pins) | GND | | 0.8 | V | | |
| | | V _{DDIO} = 1.71 V to 1.89 V (PDB, VODSEL, MAPSEL, CONFIG[1:0], BISTEN pins) | GND | | 0.35 × V _{DDIO} | | | |
| I _{IN} | Input current | V _{IN} = 0 V or V _{DDIO} (PDB, VODSEL, MAPSEL, CONFIG[1:0], BISTEN pins) | V _{DDIO} = 3 V to 3.6 V | -15 | ±1 | 15 | μA | |
| | | | V _{DDIO} = 1.7 V to 1.89 V | -15 | ±1 | 15 | | |
| CHANNEL LINK PARALLEL LVDS RECEIVER DC SPECIFICATIONS | | | | | | | | |
| V _{TH} | Differential threshold, high voltage | V _{CM} = 1.2 V (see Figure 1), RXIN[3:0] _± and RXCLKIN _± pins | | | 100 | mV | | |
| V _{TL} | Differential threshold, low voltage | V _{CM} = 1.2 V (see Figure 1), RXIN[3:0] _± and RXCLKIN _± pins | | | -100 | mV | | |
| V _{ID} | Differential input voltage swing | V _{CM} = 1.2 V (see Figure 1), RXIN[3:0] _± and RXCLKIN _± pins | | | 200 | 600 | mV | |
| V _{CM} | Common-mode voltage | V _{DDIO} = 3.3 V (RXIN[3:0] _± and RXCLKIN _± pins) | | 0 | 1.2 | 2.4 | V | |
| | | V _{DDIO} = 1.8 V (RXIN[3:0] _± and RXCLKIN _± pins) | | 0 | 1.2 | 1.7 | | |
| I _{IN} | Input current | RXIN[3:0] _± and RXCLKIN _± pins | | | -15 | ±1 | 15 | μA |
| CHANNEL LINK II SERIAL CML DRIVER DC SPECIFICATIONS | | | | | | | | |
| V _{OD} | Differential output voltage | R _L = 100 Ω, de-emphasis = disabled (see Figure 3), DOUT+ and DOUT- pins | VODSEL = L | ±225 | ±300 | ±375 | mV | |
| | | | VODSEL = H | ±350 | ±450 | ±550 | | |
| V _{ODp-p} | Differential output voltage (DOUT+) – (DOUT-) | R _L = 100 Ω, de-emphasis = disabled (see Figure 3), DOUT+ and DOUT- pins | VODSEL = L | 600 | | mVp-p | | |
| | | | VODSEL = H | 900 | | | | |
| ΔV _{OD} | Output voltage unbalance | R _L = 100 Ω, de-emphasis = disabled, VODSEL = L (DOUT+ and DOUT- pins) | | | 1 | 50 | mV | |

 (1) Typical values represent most likely parametric norms at V_{DD} = 3.3 V, T_A = +25°C, and at the *Recommended Operation Conditions* at the time of product characterization and are not verified.

 (2) Current into device pins is defined as positive. Current out of a device pin is defined as negative. Voltages are referenced to ground except V_{OD}, ΔV_{OD}, V_{TH}, and V_{TL}, which are differential voltages.

Electrical Characteristics: Serializer DC (continued)

 over recommended operating supply and temperature ranges (unless otherwise noted)⁽¹⁾⁽²⁾

| PARAMETER | | TEST CONDITIONS | MIN | TYP | MAX | UNIT |
|----------------------------------|---|--|--|-------|------|------|
| V _{OS} | Offset voltage (single-ended) | At TP A and B (see Figure 2), R _L = 100 Ω, de-emphasis = disabled (DOUT+ and DOUT– pins) | VODSEL = L | 1.65 | | V |
| | | | VODSEL = H | 1.575 | | |
| ΔV _{OS} | Offset voltage unbalance (single-ended) | At TP A and B (see Figure 2), R _L = 100 Ω, de-emphasis = disabled (DOUT+ and DOUT– pins) | | 1 | | mV |
| I _{OS} | Output short-circuit current | DOUT± = 0 V, de-emphasis = disabled, VODSEL = 0 (DOUT+ and DOUT– pins) | | –36 | | mA |
| R _{TO} | Internal output termination resistor | DOUT+ and DOUT– pins | 80 | | 120 | Ω |
| SERIALIZER SUPPLY CURRENT | | | | | | |
| I _{DDT1} | Serializer supply current (includes load current) | R _L = 100 Ω, f = 75 MHz, checker board pattern (see Figure 15), de-emphasis = 3 kΩ, VODSEL = H, V _{DD} = 1.89 V (All V _{DD} pins) | | 84 | 100 | mA |
| I _{DDIOT1} | Serializer supply current (includes load current) | R _L = 100 Ω, f = 75 MHz de-emphasis = 3 kΩ, VODSEL = H, checker board pattern (see Figure 15) | V _{DDIO} = 1.89 V (V _{DDIO} pin) | 3 | 5 | mA |
| | | | V _{DDIO} = 3.6 V (V _{DDIO} pin) | 10 | 13 | |
| I _{DDT2} | Serializer supply current (includes load current) | R _L = 100 Ω, f = 75 MHz, checker board pattern (see Figure 15), de-emphasis = 6 kΩ, VODSEL = L, V _{DD} = 1.89 V (All V _{DD} pins) | | 77 | 90 | mA |
| I _{DDIOT2} | Serializer supply current (includes load current) | R _L = 100 Ω, f = 75 MHz de-emphasis = 6 kΩ, VODSEL = L, checker board pattern (see Figure 15) | V _{DDIO} = 1.89 V (V _{DDIO} pin) | 3 | 5 | mA |
| | | | V _{DDIO} = 3.6 V (V _{DDIO} pin) | 10 | 13 | |
| I _{DDZ} | Serializer supply current power-down | PDB = 0 V, all other LVCMOS inputs = 0 V, V _{DD} = 1.89 V (All V _{DD} pins) | | 100 | 1000 | μA |
| I _{DDIOZ} | Serializer supply current power-down | PDB = 0 V, all other LVCMOS inputs = 0 V | V _{DDIO} = 1.89 V (V _{DDIO} pin) | 0.5 | 10 | μA |
| | | | V _{DDIO} = 3.6 V (V _{DDIO} pin) | 1 | 30 | |

6.6 Electrical Characteristics: Deserializer DC

 over recommended operating supply and temperature ranges (unless otherwise noted)⁽¹⁾⁽²⁾

| PARAMETER | | TEST CONDITIONS | MIN | TYP | MAX | UNIT |
|---|------------------------------|--|-------------------------|-------------------|-------------------|------|
| 3.3-V LVCMOS I/O DC SPECIFICATIONS (V_{DDIO} = 3 V to 3.6 V) | | | | | | |
| V _{IH} | High level input voltage | PDB, VODSEL, OEN, MAPSEL, LFMODE, SSC[2:0], and BISTEN pins | 2 | | V _{DDIO} | V |
| V _{IL} | Low level input voltage | PDB, VODSEL, OEN, MAPSEL, LFMODE, SSC[2:0], and BISTEN pins | GND | | 0.8 | V |
| I _{IN} | Input current | V _{IN} = 0 V or V _{DDIO} (PDB, VODSEL, OEN, MAPSEL, LFMODE, SSC[2:0], and BISTEN pins) | –15 | ±1 | 15 | μA |
| V _{OH} | High level output voltage | I _{OH} = –0.5 mA (LOCK and PASS pins) | V _{DDIO} – 0.2 | V _{DDIO} | | V |
| V _{OL} | Low level output voltage | I _{OL} = 0.5 mA (LOCK and PASS pins) | | GND | 0.2 | V |
| I _{OS} | Output short-circuit current | V _{OUT} = 0 V (LOCK and PASS pins) | | –10 | | mA |
| I _{OZ} | TRI-STATE output current | PDB = 0 V, OSS_SEL = 0 V, V _{OUT} = 0 V or V _{DDIO} (LOCK and PASS pins) | –10 | | 10 | μA |

(1) Typical values represent most likely parametric norms at V_{DD} = 3.3 V, T_A = +25°C, and at the *Recommended Operation Conditions* at the time of product characterization and are not verified.

(2) Current into device pins is defined as positive. Current out of a device pin is defined as negative. Voltages are referenced to ground except V_{OD}, ΔV_{OD}, V_{TH}, and V_{TL}, which are differential voltages.

Electrical Characteristics: Deserializer DC (continued)

 over recommended operating supply and temperature ranges (unless otherwise noted)⁽¹⁾⁽²⁾

| PARAMETER | | TEST CONDITIONS | MIN | TYP | MAX | UNIT | |
|---|---|---|--|-------------------|--------------------------|------|-------|
| 1.8-V LVCMOS I/O DC SPECIFICATIONS (V_{DDIO} = 1.71 V to 1.89 V) | | | | | | | |
| V _{IH} | High level input voltage | PDB, VODSEL, OEN, MAPSEL, LFMODE, SSC[2:0], and BISTEN pins | 0.65 × V _{DDIO} | | V _{DDIO} | V | |
| V _{IL} | Low level input voltage | PDB, VODSEL, OEN, MAPSEL, LFMODE, SSC[2:0], and BISTEN pins | GND | | 0.35 × V _{DDIO} | V | |
| I _{IN} | Input current | V _{IN} = 0 V or V _{DDIO} (PDB, VODSEL, OEN, MAPSEL, LFMODE, SSC[2:0], and BISTEN pins) | -15 | ±1 | 15 | μA | |
| V _{OH} | High level output voltage | I _{OH} = -0.5 mA (LOCK and PASS pins) | V _{DDIO} - 0.2 | V _{DDIO} | | V | |
| V _{OL} | Low level output voltage | I _{OL} = 0.5 mA (LOCK and PASS pins) | | GND | 0.2 | V | |
| I _{OS} | Output short-circuit current | V _{OUT} = 0 V (LOCK and PASS pins) | | -3 | | mA | |
| I _{OZ} | TRI-STATE output current | PDB = 0 V, OSS_SEL = 0 V, V _{OUT} = 0 V or V _{DDIO} (LOCK and PASS pins) | -15 | | 15 | μA | |
| CHANNEL LINK PARALLEL LVDS DRIVER DC SPECIFICATIONS | | | | | | | |
| V _{OD} | Differential output voltage | R _L = 100 Ω (see Figure 3; TXOUT[3:0]± and TXCLKOUT± pins) | VODSEL = L | 100 | 250 | 400 | mV |
| | | | VODSEL = H | 200 | 400 | 600 | |
| V _{ODp-p} | Differential output voltage A to B | R _L = 100 Ω (see Figure 3; TXOUT[3:0]± and TXCLKOUT± pins) | VODSEL = L | | 500 | | mVp-p |
| | | | VODSEL = H | | 800 | | |
| ΔV _{OD} | Output voltage unbalance | R _L = 100 Ω (see Figure 3; TXOUT[3:0]± and TXCLKOUT± pins) | | 1 | 50 | mV | |
| V _{OS} | Offset voltage (single-ended) | R _L = 100 Ω (see Figure 3; TXOUT[3:0]± and TXCLKOUT± pins) | VODSEL = L | 1 | 1.2 | 1.5 | V |
| | | | VODSEL = H | | 1.2 | | |
| ΔV _{OS} | Offset voltage unbalance (single-ended) | R _L = 100 Ω (see Figure 3; TXOUT[3:0]± and TXCLKOUT± pins) | | 1 | 50 | mV | |
| I _{OS} | Output short-circuit current | R _L = 100 Ω, V _{OUT} = GND (TXOUT[3:0]± and TXCLKOUT± pins) | | -5 | | mA | |
| I _{OZ} | Output TRI-STATE current | R _L = 100 Ω, V _{OUT} = V _{DDTX} or GND (TXOUT[3:0]± and TXCLKOUT± pins) | -10 | | 10 | μA | |
| CHANNEL LINK II SERIAL CML RECEIVER DC SPECIFICATIONS | | | | | | | |
| V _{TH} | Differential input threshold high voltage | V _{CM} = 1.2 V (Internal V _{BIAS}) (RIN+ and RIN- pins) | | | 50 | mV | |
| V _{TL} | Differential input threshold low voltage | V _{CM} = 1.2 V (Internal V _{BIAS}) (RIN+ and RIN- pins) | -50 | | | mV | |
| V _{CM} | Common mode voltage, internal V _{BIAS} | RIN+ and RIN- pins | | 1.2 | | V | |
| R _T | Input termination | RIN+ and RIN- pins | 85 | 100 | 115 | Ω | |
| DESERIALIZER SUPPLY CURRENT | | | | | | | |
| I _{DD1} | Deserializer supply current (Includes load current) | 75 MHz clock, checker board pattern (see Figure 15), VODSEL = H, SSCG[2:0] = 000'b, V _{DDn} = 1.89 V (All V _{DD(1.8)} pins) | | 88 | 100 | mA | |
| I _{DDTX1} | Deserializer supply current (Includes load current) | 75 MHz clock, checker board pattern (see Figure 15), VODSEL = H, SSCG[2:0] = 000'b, V _{DDTX} = 3.6 V (V _{DDTX} pin) | | 40 | 50 | mA | |
| I _{DDIO1} | Deserializer supply current (Includes load current) | 75 MHz clock, checker board pattern (see Figure 15), VODSEL = H, SSCG[2:0] = 000'b | V _{DDIO} = 1.89 V (V _{DDIO} pin) | 0.3 | 0.8 | mA | |
| | | | V _{DDIO} = 3.6 V (V _{DDIO} pin) | 0.8 | 1.5 | | |
| I _{DDZ} | Deserializer supply current power-down | PDB = 0 V, All other LVCMOS inputs = 0 V, V _{DDn} = 1.89 V (All V _{DD(1.8)} pins) | | 0.15 | 2 | mA | |
| I _{DDTXZ} | Deserializer supply current power-down | PDB = 0 V, All other LVCMOS inputs = 0 V, V _{DDTX} = 3.6 V (V _{DDTX} pin) | | 0.01 | 0.1 | mA | |

Electrical Characteristics: Deserializer DC (continued)

over recommended operating supply and temperature ranges (unless otherwise noted)⁽¹⁾⁽²⁾

| PARAMETER | | TEST CONDITIONS | MIN | TYP | MAX | UNIT |
|--------------------|--|---|---|------|------|------|
| I _{DDIOZ} | Deserializer supply current power-down | PDB = 0 V, all other LVCMOS inputs = 0 V | V _{DDIO} = 1.89 V (V _{DDIO} pin) | 0.01 | 0.08 | mA |
| | | | V _{DDIO} = 3.6 V (V _{DDIO} pin) | 0.01 | 0.08 | |

6.7 Electrical Characteristics: DC and AC Serial Control Bus

over 3.3-V supply and temperature ranges (unless otherwise noted)

| PARAMETER | | TEST CONDITIONS | MIN | TYP | MAX | UNIT |
|----------------------|--------------------------|---|-------------------------|-----|-------------------------|------|
| V _{IH} | Input high-level voltage | SDA and SCL | 0.7 × V _{DDIO} | | V _{DDIO} | V |
| V _{IL} | Input low-level voltage | SDA and SCL | GND | | 0.3 × V _{DDIO} | V |
| V _{HY} | Input hysteresis | | | >50 | | mV |
| V _{OL} | Output low-level voltage | SDA, I _{OL} = 0.5 mA | 0 | | 0.36 | V |
| I _{IN} | Input current | SDA or SCL, V _{in} = V _{DDIO} or GND | -10 | | 10 | μA |
| t _R | SDA rise time, READ | SDA, RPU = 10 kΩ, C _b ≤ 400pF (see Figure 18) | | 800 | | ns |
| t _F | SDA fall time, READ | SDA, RPU = 10 kΩ, C _b ≤ 400pF (see Figure 18) | | 50 | | ns |
| t _{SU, DAT} | Set-up time, READ | See Figure 18 | | 540 | | ns |
| t _{HD, DAT} | Hold time, READ | See Figure 18 | | 600 | | ns |
| t _{SP} | Input filter | | | 50 | | ns |
| C _{IN} | Input capacitance | SDA or SCL | | <5 | | pF |

6.8 Timing Requirements: Serial Control Bus

over 3.3-V supply and temperature ranges (unless otherwise noted)

| | | | MIN | TYP | MAX | UNIT |
|----------------------|--|---------------|-----|-----|------|------|
| f _{SCL} | SCL clock frequency | Standard mode | | | 100 | kHz |
| | | Fast mode | | | 400 | |
| t _{LOW} | SCL low period | Standard mode | 4.7 | | | μs |
| | | Fast mode | 1.3 | | | |
| t _{HIGH} | SCL high period | Standard mode | 4 | | | μs |
| | | Fast mode | 0.6 | | | |
| t _{HD, STA} | Hold time for a START or a repeated START condition (see Figure 18) | Standard mode | 4 | | | μs |
| | | Fast mode | 0.6 | | | |
| t _{SU, STA} | Set-up time for a START or a repeated START condition (see Figure 18) | Standard mode | 4.7 | | | μs |
| | | Fast mode | 0.6 | | | |
| t _{HD, DAT} | Data hold time (see Figure 18) | Standard mode | 0 | | 3.45 | μs |
| | | Fast mode | 0 | | 0.9 | |
| t _{SU, DAT} | Data set-up time (see Figure 18) | Standard mode | 250 | | | μs |
| | | Fast mode | 100 | | | |
| t _{SU, STO} | Set-up time for STOP (see Figure 18) | Standard mode | 4 | | | μs |
| | | Fast mode | 0.6 | | | |
| t _{BUF} | Bus free time between STOP and START (see Figure 18) | Standard mode | 4.7 | | | μs |
| | | Fast mode | 1.3 | | | |
| t _r | SCL and SDA rise time (see Figure 18) | Standard mode | | | 1000 | ns |
| | | Fast mode | | | 300 | |

Timing Requirements: Serial Control Bus (continued)

over 3.3-V supply and temperature ranges (unless otherwise noted)

| | | MIN | TYP | MAX | UNIT |
|-------|--|---------------|-----|-----|------|
| t_f | SCL and SDA fall time (see Figure 18) | Standard mode | | 300 | ns |
| | | Fast mode | | 300 | |

6.9 Switching Characteristics: Serializer

over recommended operating supply and temperature range (unless otherwise noted)

| PARAMETER | | TEST CONDITIONS | MIN | TYP | MAX | UNIT |
|---|--|--|-------|----------------|----------------|-------------------|
| CHANNEL LINK PARALLEL LVDS INPUT | | | | | | |
| t_{RSP0} | LVDS Receiver Strobe Position (bit 0) | RXCLKIN = 75 MHz, RXIN[3:0] pins (see Figure 5) | 0.57 | 0.95 | 1.33 | ns |
| t_{RSP1} | LVDS Receiver Strobe Position (bit 1) | RXCLKIN = 75 MHz, RXIN[3:0] pins (see Figure 5) | 2.47 | 2.85 | 3.23 | ns |
| t_{RSP2} | LVDS Receiver Strobe Position (bit 2) | RXCLKIN = 75 MHz, RXIN[3:0] pins (see Figure 5) | 4.37 | 4.75 | 5.13 | ns |
| t_{RSP3} | LVDS Receiver Strobe Position (bit 3) | RXCLKIN = 75 MHz, RXIN[3:0] pins (see Figure 5) | 6.27 | 6.65 | 7.03 | ns |
| t_{RSP4} | LVDS Receiver Strobe Position (bit 4) | RXCLKIN = 75 MHz, RXIN[3:0] pins (see Figure 5) | 8.17 | 8.55 | 8.93 | ns |
| t_{RSP5} | LVDS Receiver Strobe Position (bit 5) | RXCLKIN = 75 MHz, RXIN[3:0] pins (see Figure 5) | 10.07 | 10.45 | 10.83 | ns |
| t_{RSP6} | LVDS Receiver Strobe Position (bit 6) | RXCLKIN = 75 MHz, RXIN[3:0] pins (see Figure 5) | 11.97 | 12.35 | 12.73 | ns |
| CHANNEL LINK II CML OUTPUT | | | | | | |
| t_{LLHT} | Serializer output low-to-high transition time (see Figure 4) | $R_L = 100 \Omega$, De-emphasis = disabled, VODSEL = 0 | 100 | 200 | 300 | ps |
| | | $R_L = 100 \Omega$, De-emphasis = disabled, VODSEL = 1 | 100 | 200 | 300 | |
| t_{LHLT} | Serializer output high-to-low transition time (see Figure 4) | $R_L = 100 \Omega$, De-emphasis = disabled, VODSEL = 0 | 130 | 260 | 390 | ps |
| | | $R_L = 100 \Omega$, De-emphasis = disabled, VODSEL = 1 | 100 | 200 | 300 | |
| t_{XZD} | Serializer output active to OFF delay (see Figure 9) ⁽¹⁾ | | | 5 | 15 | ns |
| t_{PLD} | Serializer PLL lock time (see Figure 7) ⁽¹⁾⁽²⁾⁽³⁾ | $R_L = 100 \Omega$ | | 1.5 | 10 | ms |
| t_{SD} | Serializer delay, latency (see Figure 10) ⁽¹⁾ | $R_L = 100 \Omega$ | | $147 \times T$ | $148 \times T$ | ns |
| t_{DJIT} | Serializer output total jitter (see Figure 12) | $R_L = 100 \Omega$, De-emphasis = disabled, RANDOM pattern | | 0.3 | | UI ⁽⁴⁾ |
| λ_{STXBW} | Serializer jitter transfer (function –3-dB bandwidth) ⁽¹⁾⁽⁵⁾ | RXCLKIN = 43 MHz | | 2.2 | | MHz |
| | | RXCLKIN = 75 MHz | | 3 | | |
| δ_{STX} | Serializer jitter transfer (function peaking) ⁽¹⁾⁽⁵⁾ | RXCLKIN = 43 MHz | | 1 | | dB |
| | | RXCLKIN = 75 MHz | | 1 | | |

(1) Specification is verified by characterization and is not tested in production.

 (2) t_{PLD} and t_{DDLt} is the time required by the serializer and deserializer to obtain lock when exiting power-down state with an active RXCLKIN.

 (3) When the serializer output is at TRI-STATE, the deserializer loses PLL lock. Resynchronization and Re-lock must occur before data transfer require t_{PLD} .

(4) UI: Unit Interval is equivalent to one serialized data bit width (1 UI = 1 / [28 × CLK]). The UI scales with clock frequency.

(5) Specification is verified by design and is not tested in production.

6.10 Switching Characteristics: Deserializer

over recommended operating supply and temperature range (unless otherwise noted)

| PARAMETER | | TEST CONDITIONS | MIN | TYP | MAX | UNIT |
|--|---|--|-----|---------|---------|-------------------|
| CHANNEL LINK PARALLEL LVDS OUTPUT | | | | | | |
| t_{DLHT} | Deserializer low-to-high transition time | $R_L = 100 \Omega$ TXCLKOUT \pm , TXOUT[3:0] \pm pins | | 0.3 | 0.6 | ns |
| t_{DHLT} | Deserializer high-to-low transition time | $R_L = 100 \Omega$ TXCLKOUT \pm , TXOUT[3:0] \pm pins | | 0.3 | 0.6 | ns |
| t_{DCCJ} | Cycle-to-cycle output jitter ⁽¹⁾⁽²⁾⁽³⁾ | TXCLKOUT $\pm = 10$ MHz | | 900 | 2100 | ps |
| | | TXCLKOUT $\pm = 75$ MHz | | 75 | 125 | |
| t_{TTP1} | LVDS Transmitter Pulse Position for bit 1 | TXCLKOUT $\pm = 10$ to 75 MHz (see Figure 6) | | 0 | | UI ⁽⁴⁾ |
| t_{TTP0} | LVDS Transmitter Pulse Position for bit 0 | TXCLKOUT $\pm = 10$ to 75 MHz (see Figure 6) | | 1 | | UI ⁽⁴⁾ |
| t_{TTP6} | LVDS Transmitter Pulse Position for bit 6 | TXCLKOUT $\pm = 10$ to 75 MHz (see Figure 6) | | 2 | | UI ⁽⁴⁾ |
| t_{TTP5} | LVDS Transmitter Pulse Position for bit 5 | TXCLKOUT $\pm = 10$ to 75 MHz (see Figure 6) | | 3 | | UI ⁽⁴⁾ |
| t_{TTP4} | LVDS Transmitter Pulse Position for bit 4 | TXCLKOUT $\pm = 10$ to 75 MHz (see Figure 6) | | 4 | | UI ⁽⁴⁾ |
| t_{TTP3} | LVDS Transmitter Pulse Position for bit 3 | TXCLKOUT $\pm = 10$ to 75 MHz (see Figure 6) | | 5 | | UI ⁽⁴⁾ |
| t_{TTP2} | LVDS Transmitter Pulse Position for bit 2 | TXCLKOUT $\pm = 10$ to 75 MHz (see Figure 6) | | 6 | | UI ⁽⁴⁾ |
| t_{DD} | Deserializer delay, latency ⁽³⁾ (see Figure 11) | TXCLKOUT $\pm = 10$ to 75 MHz (see Figure 6) | | 142 × T | 143 × T | ns |
| t_{TPDD} | Deserializer power-down delay, active to OFF (see Figure 13) | TXCLKOUT $\pm = 75$ MHz | | 6 | 10 | ns |
| t_{TXZR} | Deserializer enable delay, OFF to active (see Figure 14) | TXCLKOUT $\pm = 75$ MHz | | 40 | 55 | ns |
| CHANNEL LINK II CML INPUT | | | | | | |
| $t_{DDL T}$ | Deserializer lock time ⁽⁵⁾ (see Figure 8) | TXCLKOUT $\pm = 10$ MHz, SSCG = OFF | | 7 | | ms |
| | | TXCLKOUT $\pm = 10$ MHz, SSCG = ON | | 14 | | |
| | | TXCLKOUT $\pm = 75$ MHz, SSCG = OFF | | 6 | | |
| | | TXCLKOUT $\pm = 65$ MHz, SSCG = ON | | 8 | | |
| t_{DJIT} | Deserializer input jitter tolerance (see Figure 16) | EQ = OFF SSCG = OFF Jitter frequency > 10 MHz | | >0.45 | | UI ⁽⁶⁾ |
| LVC MOS OUTPUTS | | | | | | |
| t_{CLH} | Deserializer low-to-high transition time (see Figure 4) | $C_L = 8$ pF (LOCK and PASS pins) | | 10 | 15 | ns |
| t_{CHL} | Deserializer high-to-low transition time (see Figure 4) | $C_L = 8$ pF (LOCK and PASS pins) | | 10 | 15 | ns |
| t_{PASS} | BIST PASS valid time, BISTEN = 1 (see Figure 17) | 10 MHz (PASS pin) | | 220 | 230 | ns |
| | | 75 MHz (PASS pin) | | 40 | 65 | |

(1) t_{DCCJ} is the maximum amount of jitter between adjacent clock cycles.

(2) Specification is verified by characterization and is not tested in production.

(3) Specification is verified by design and is not tested in production.

(4) UI: Unit Interval is equivalent to one serialized data bit width in the OpenLDI parallel interface format (1 UI = 1 / [7 × CLK]). The UI scales with clock frequency.

(5) t_{PLD} and $t_{DDL T}$ is the time required by the serializer and deserializer to obtain lock when exiting power-down state with an active RXCLKIN.

(6) UI – Unit Interval is equivalent to one serialized data bit width (1 UI = 1 / [28 × CLK]). The UI scales with clock frequency.

Switching Characteristics: Deserializer (continued)

over recommended operating supply and temperature range (unless otherwise noted)

| PARAMETER | | TEST CONDITIONS | MIN | TYP | MAX | UNIT |
|------------------|--|--|-------------|-----|-----------|------|
| SSCG MODE | | | | | | |
| f_{DEV} | Spread spectrum clocking deviation frequency ⁽³⁾ | TXCLKOUT \pm = 10 to 65 MHz, SSCG = ON | $\pm 0.5\%$ | | $\pm 2\%$ | |
| f_{MOD} | Spread spectrum clocking modulation frequency ⁽³⁾ | TXCLKOUT \pm = 10 to 65 MHz, SSCG = ON | 8 | | 100 | kHz |

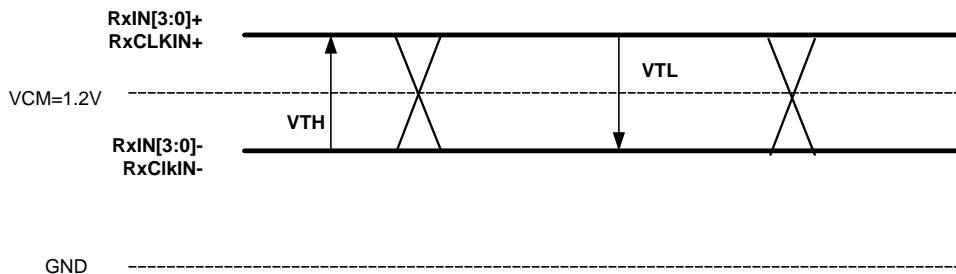


Figure 1. Channel Link DC VTH/VTL Definition

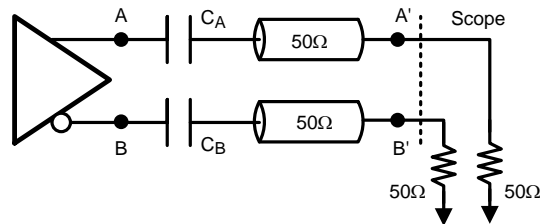


Figure 2. Output Test Circuit

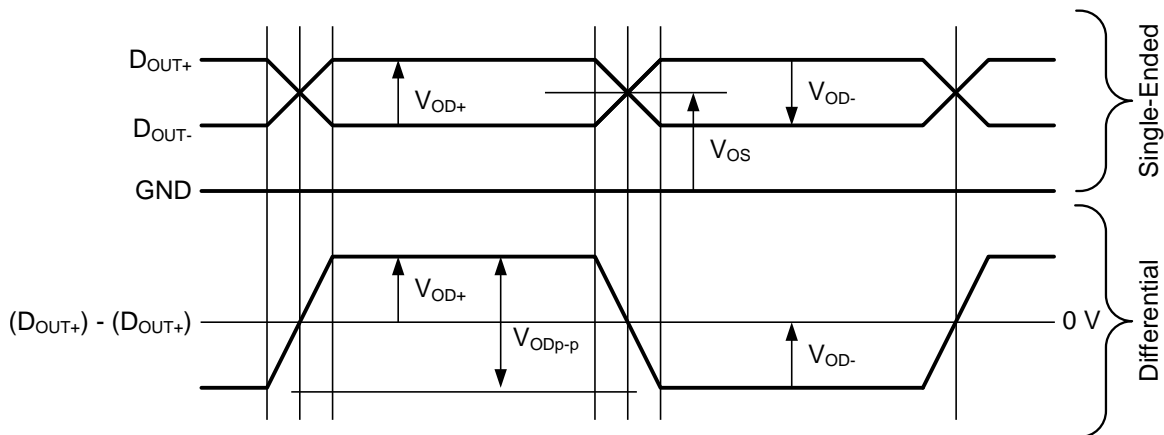


Figure 3. CML Output Waveforms

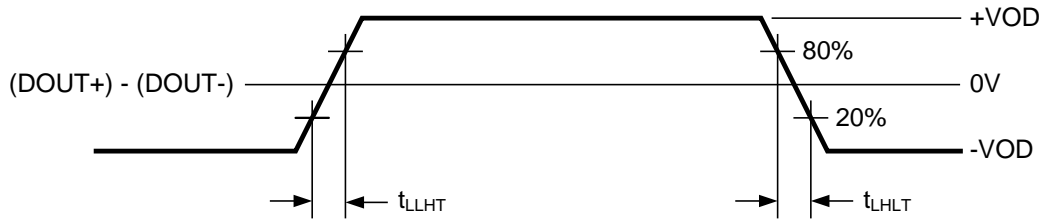


Figure 4. CML Output Transition Times

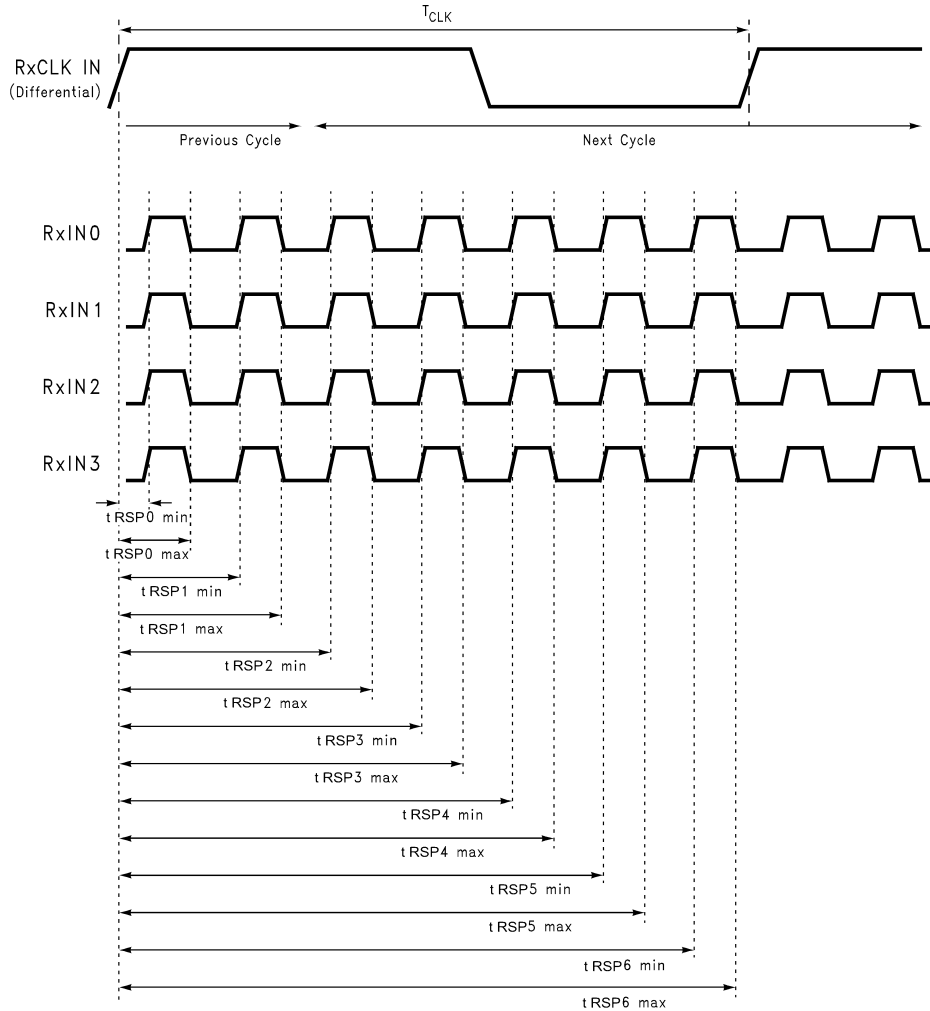


Figure 5. DS92LV0421 Channel Link Receiver Strobe Positions

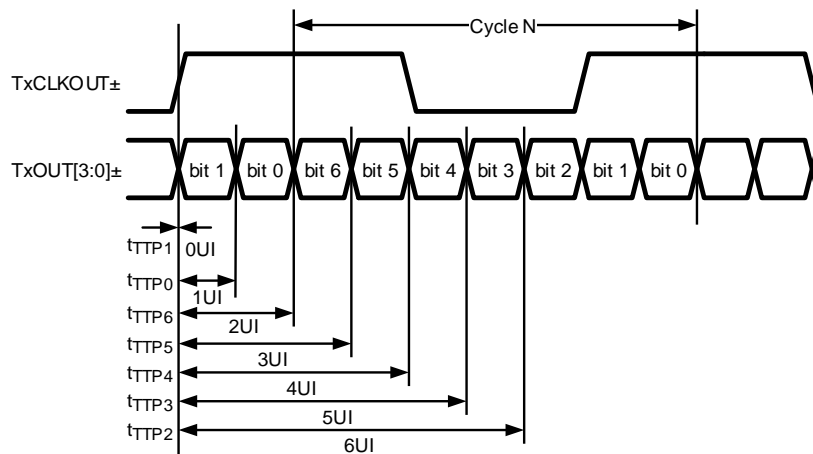


Figure 6. DS92LV0422 LVDS Transmitter Pulse Positions

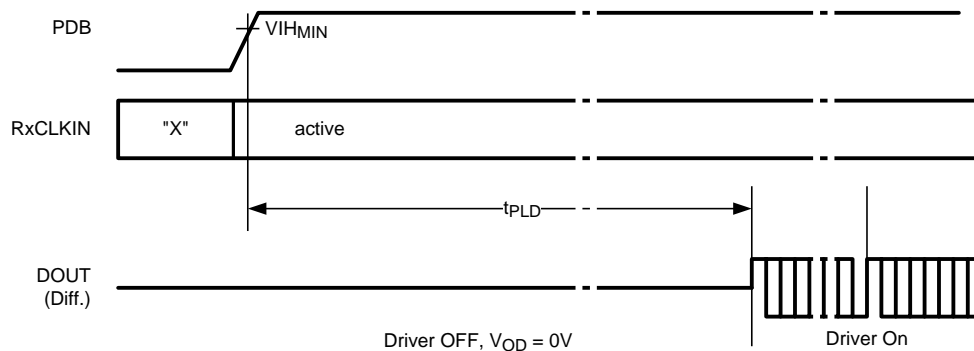


Figure 7. DS92LV0421 Lock Time

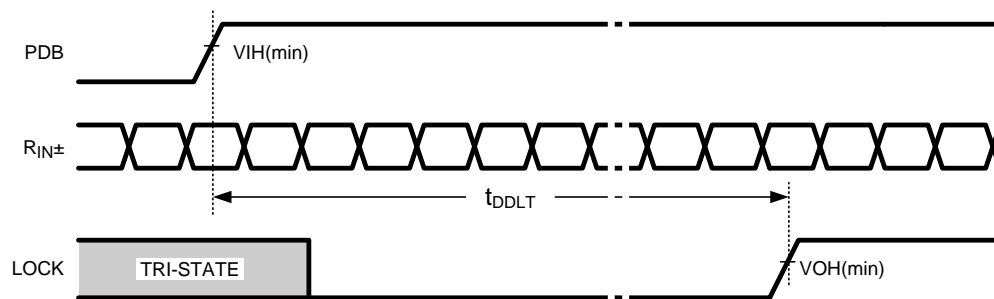


Figure 8. DS92LV0422 Lock Time

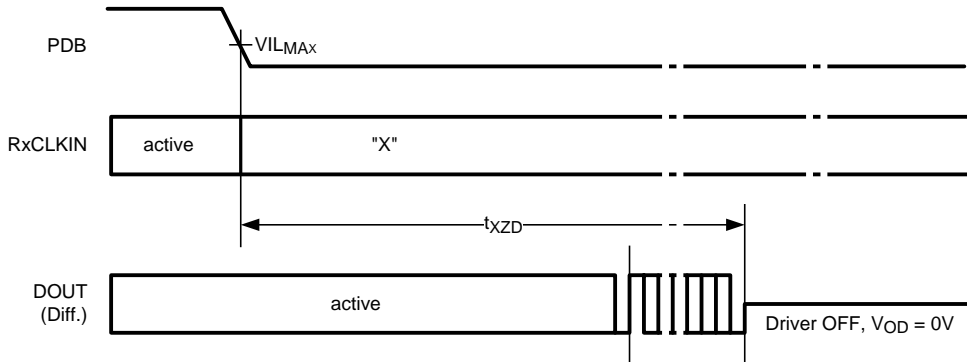


Figure 9. DS92LV0421 Disable Time

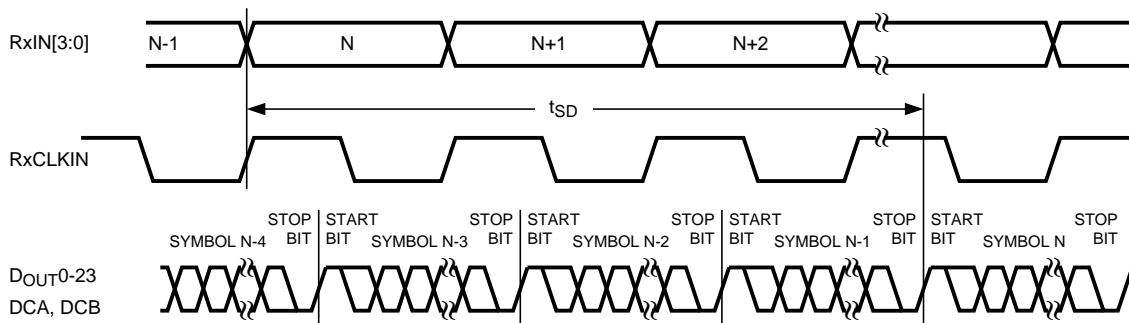


Figure 10. DS92LV0421 Latency Delay

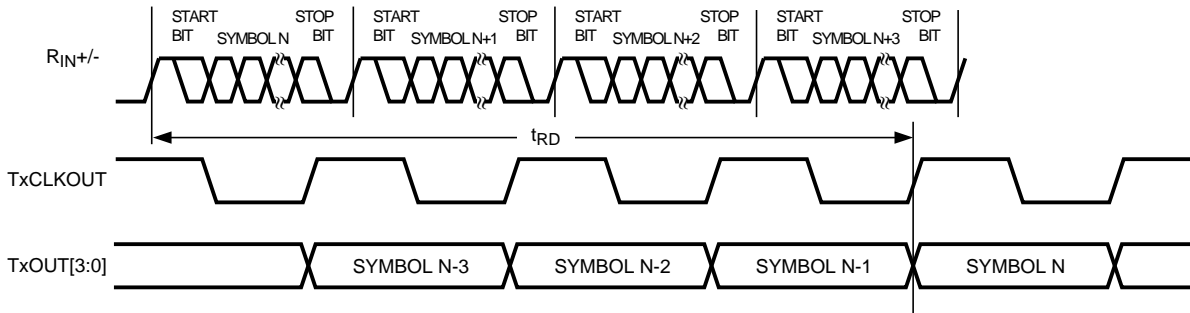


Figure 11. DS92LV0422 Latency Delay

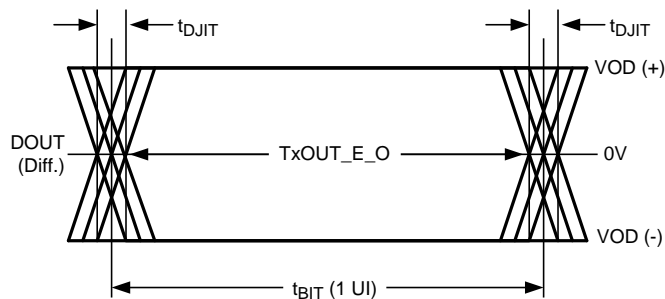
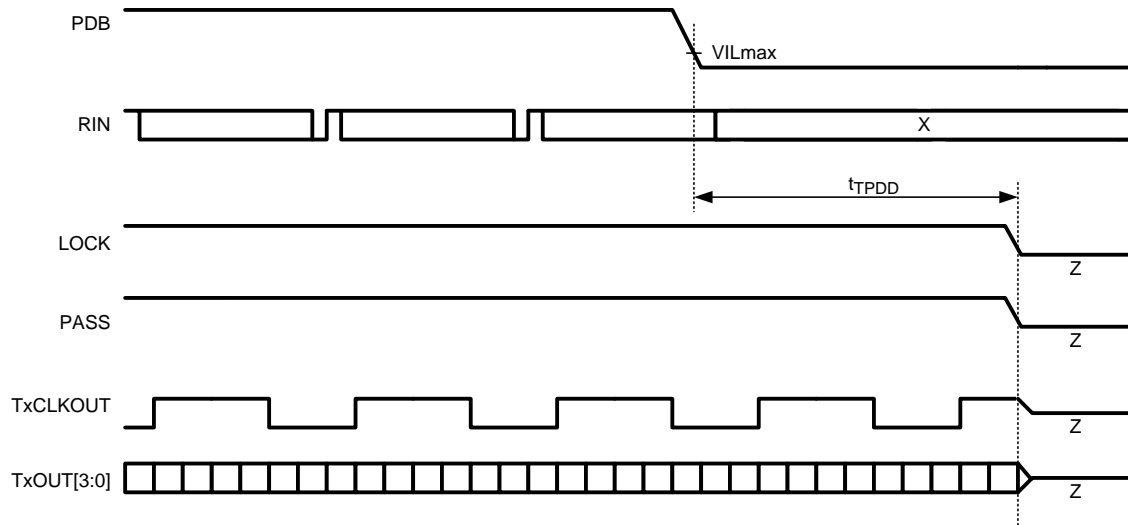
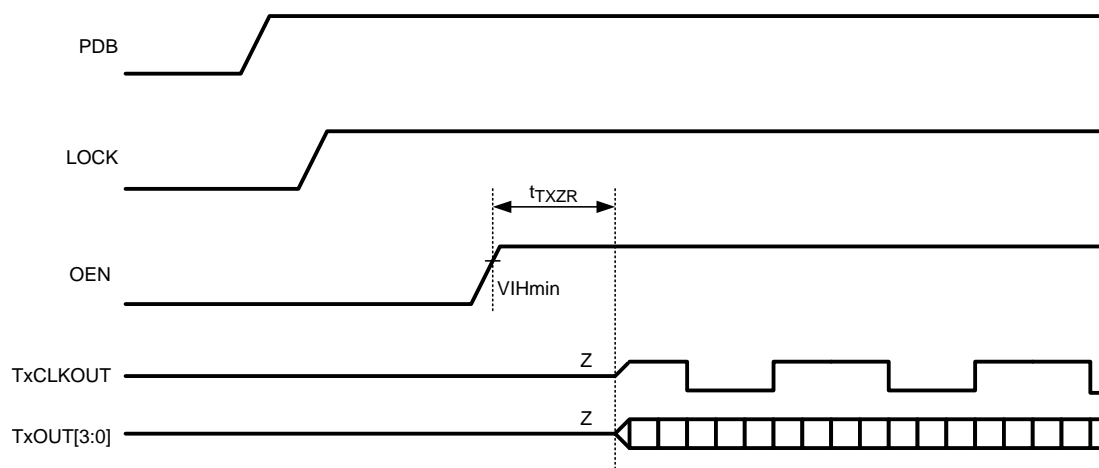
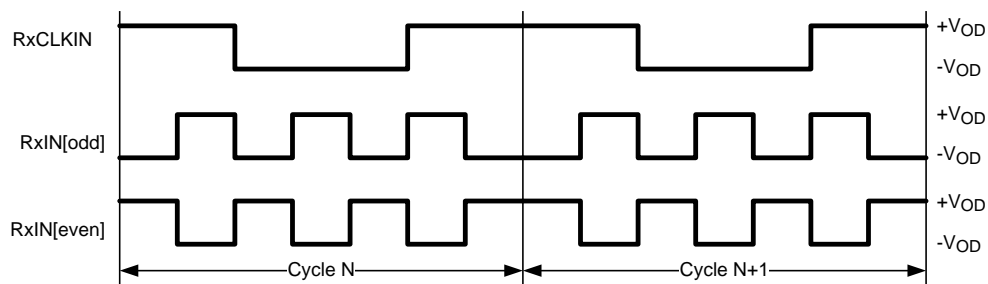


Figure 12. DS92LV0421 Output Jitter


Figure 13. DS92LV0422 Power-Down Delay

Figure 14. DS92LV0422 Enable Delay

Figure 15. Checkerboard Data Pattern

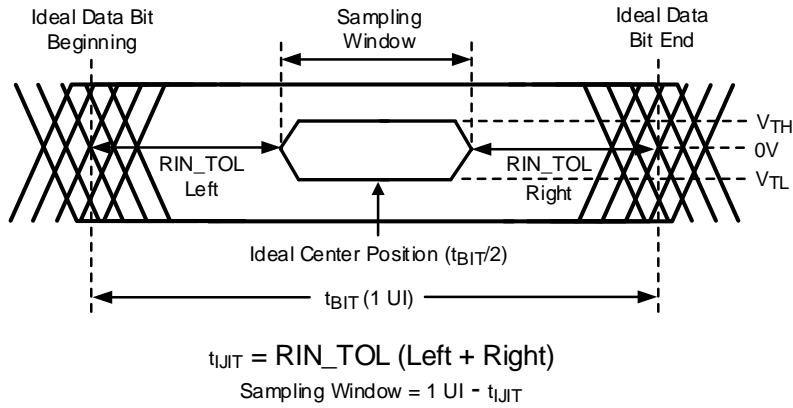


Figure 16. DS92LV0422 Receiver Input Jitter Tolerance

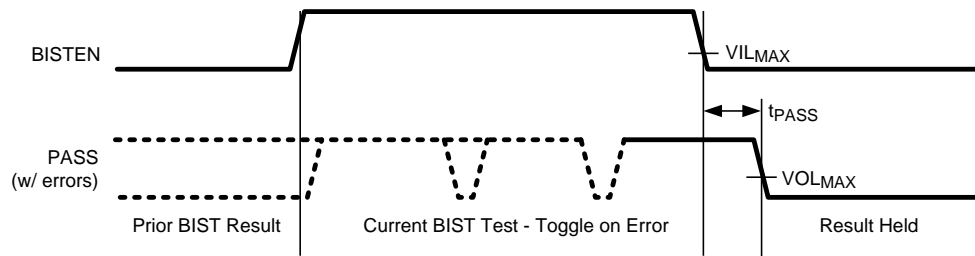


Figure 17. BIST PASS Waveform

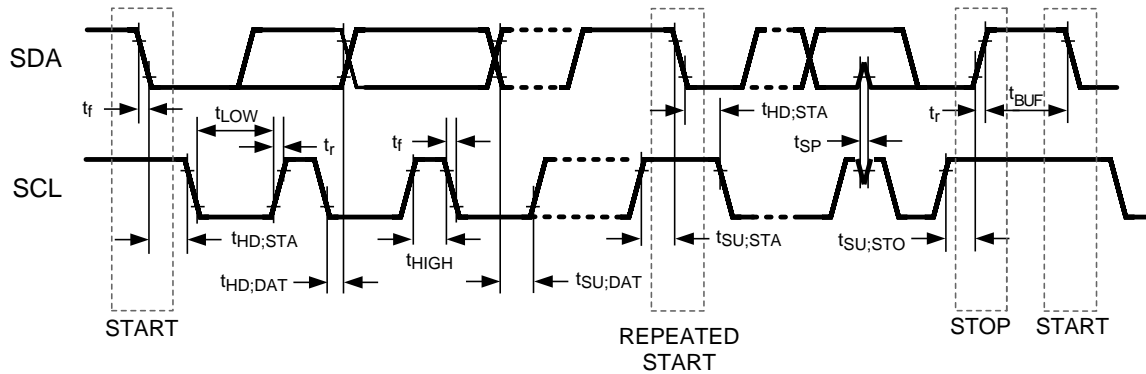


Figure 18. Serial Control Bus Timing Diagram

6.11 Typical Characteristics

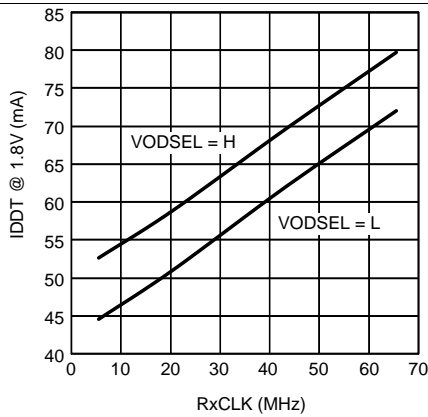


Figure 19. Typical IDD_T (1.8-V Supply) vs RXCLKIN

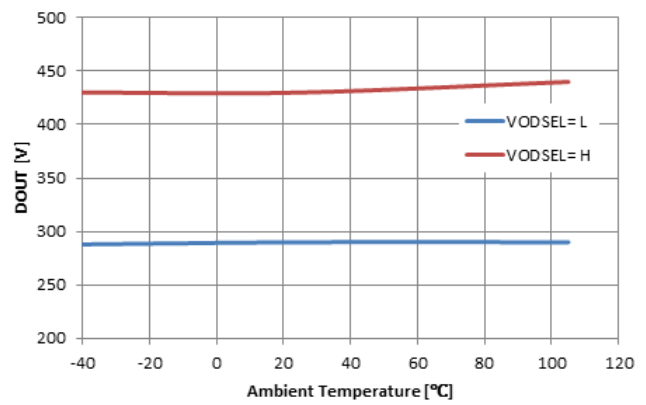


Figure 20. Serializer DOUT Voltage vs Ambient Temperature

7 Detailed Description

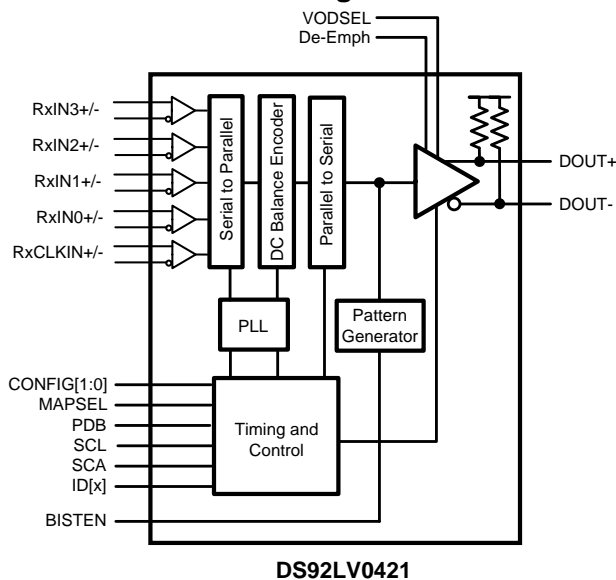
7.1 Overview

The DS92LV042x chipset transmits and receives 24 bits of data and 3 control signals, formatted as Channel Link LVDS data, over a single serial CML pair operating at 280 Mbps to 2.1 Gbps. The serial stream contains an embedded clock, video control signals, and the DC-balance information which enhances signal quality and supports AC coupling.

The deserializer can attain lock to a data stream without the use of a separate reference clock source, which greatly simplifies system complexity and overall cost. The deserializer also synchronizes to the serializer regardless of the data pattern, delivering true automatic *plug and lock* performance. It can lock to the incoming serial stream without the requirement of special training patterns or sync characters. The deserializer recovers the clock and data by extracting the embedded clock information, validating, and then deserializing the incoming data stream, providing a parallel Channel Link LVDS bus to the display, ASIC, or FPGA.

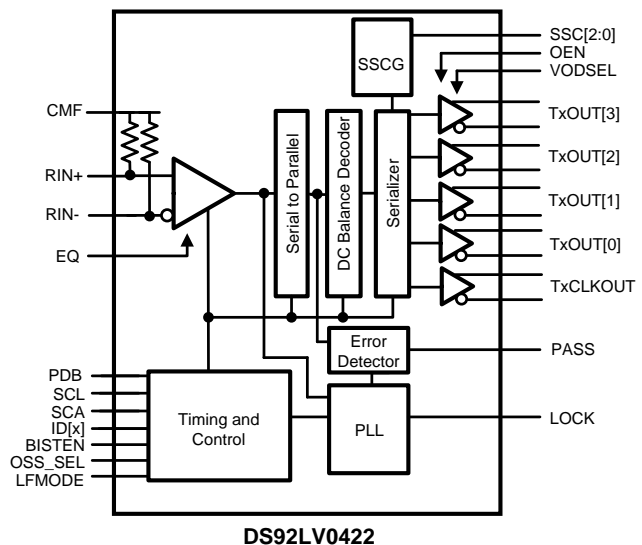
The DS92LV042x chipset can operate with up to 24 bits of raw data with three slower speed control bits encoded within the serial data stream. For applications that require less than the maximum 24 raw data bits per clock cycle, the user must ensure that all unused bit spaces or parallel LVDS channels are set to valid logic states, as all parallel lanes and 27 bit spaces are always sampled.

7.2 Functional Block Diagrams



Copyright © 2016, Texas Instruments Incorporated

Figure 21. Serializer Block Diagram



Copyright © 2016, Texas Instruments Incorporated

Figure 22. Deserializer Block Diagram

7.3 Feature Description

7.3.1 Parallel LVDS Data Transfer (Color Bit Mapping Select)

The DS92LV042x can be configured to accept or transmit 24-bit data with two different LVDS parallel interface mapping schemes:

- The normal Channel Link LVDS format (MSBs on LVDS Channel 3) can be selected by configuring the MAPSEL pin to high. See [Figure 23](#) for the normal Channel Link LVDS mapping.
- An alternate mapping scheme is available (LSBs on LVDS Channel 3) by configuring the MAPSEL pin to low. See [Figure 24](#) for the alternate LVDS mapping.

The mapping schemes can also be selected by register control. The alternate mapping scheme is useful in some applications where the receiving system, typically a display, requires the LSBs for the 24-bit color data to be sent on LVDS Channel 3.

NOTE

While the LVDS parallel interface has 28 bits defined, only 27 bits are recovered by the serializer and sent to the deserializer. This chipset supports 24-bit RGB plus the three video control signals. The 28th bit is not sampled, sent, or recovered.

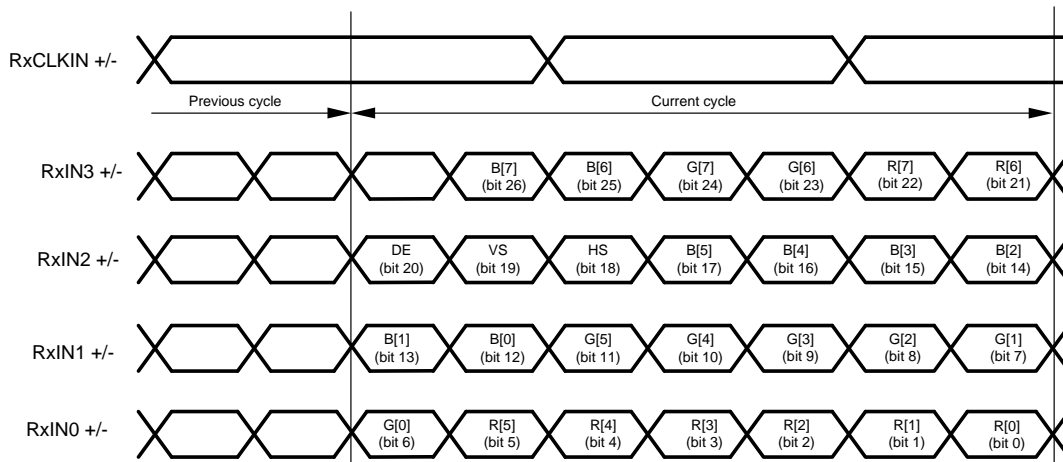


Figure 23. 8–Bit Channel Link Mapping: MSB's on RXIN3

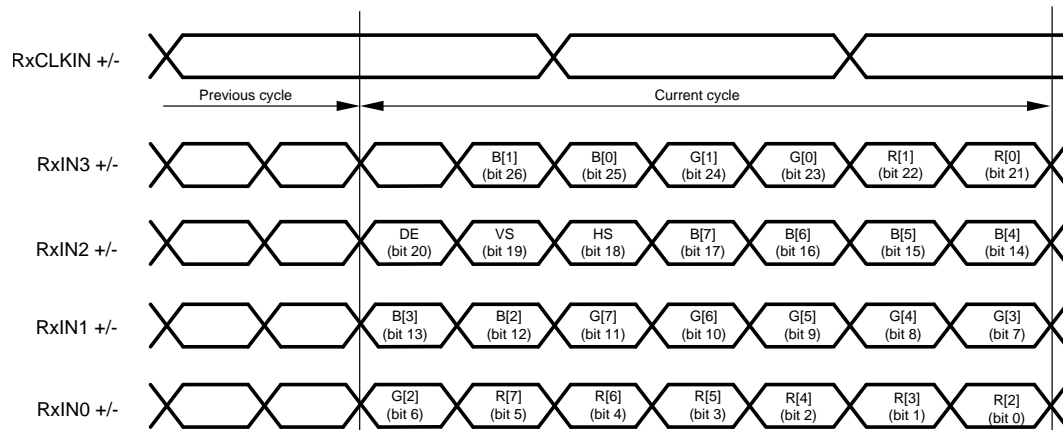


Figure 24. 8–Bit Channel Link Mapping: LSB's on RXIN3

Feature Description (continued)

7.3.2 Serial Data Transfer

The DS92LV042x chipset transmits and receives a pixel of data in the following format: C1 and C0 represent the embedded clock in the serial stream. C1 is always high and C0 is always low. The b[23:0] contains the scrambled RGB data. DCB is the DC-Balanced control bit. DCB is used to minimize the short and long-term DC bias on the signal lines. This bit determines if the data is unmodified or inverted. DCA is used to validate data integrity in the embedded data stream and can also contain encoded control (VS, HS, DE). Both DCA and DCB coding schemes are generated by the serializer and decoded by the deserializer automatically. [Figure 25](#) illustrates the serial stream per clock cycle.

NOTE

[Figure 25](#) only illustrates the bits but does not actually represent the bit location, as the bits are scrambled and balanced continuously.

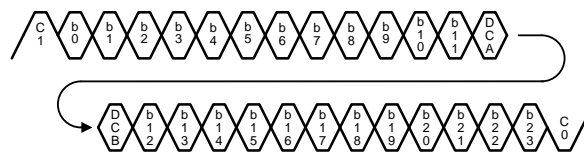


Figure 25. Channel Link II Serial Stream (DS92LV042x)

7.3.3 Video Control Signal Filter

The three control bits can be used to communicate any low speed signal. The most common use for these bits is in the display or machine vision applications. In a display application, these bits are typically assigned as: Bit 26 to DE, Bit 24 to HS, and Bit 25 to VS. In the machine vision standard, Camera Link, these bits are typically assigned: Bit 26 to DVAL, Bit 24 to LVAL, and Bit 25 to FVAL.

When operating the devices in Normal Mode, the video control signals (DE, HS, VS) have the following restrictions:

- Normal Mode with Control Signal Filter Enabled:
 - DE and HS: Only 2 transitions per 130 clock cycles are transmitted, the transition pulse must be 3 clock cycles or longer.
- Normal Mode with Control Signal Filter Disabled:
 - DE and HS: Only 2 transitions per 130 clock cycles are transmitted, no restriction on minimum transition pulse.
- VS: Only 1 transition per 130 clock cycles are transmitted, minimum pulse width is 130 clock cycles.

Glitches of a control signal can cause a visual display error, and video control signals are defined as low frequency signals with limited transitions. Therefore, the video control signal filter feature allows for the chipset to validate and filter out any high frequency noise on the control signals (see [Figure 26](#)).

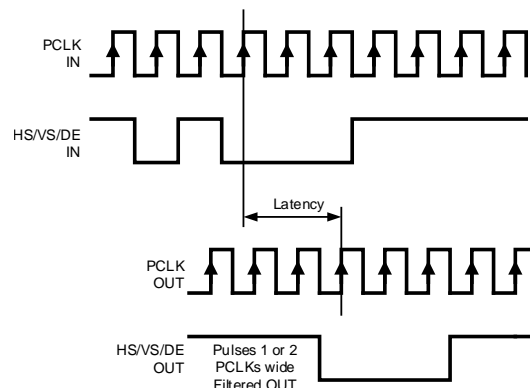


Figure 26. Video Control Signal Filter Waveform

Feature Description (continued)

7.3.4 Serializer Functional Description

The serializer converts a Channel Link LVDS clock and data bus to a single serial output data stream and also acts as a signal generator for the chipset Built-In Self Test (BIST) mode. The device can be configured through external pins or through the optional serial control bus. The serializer features enhanced signal quality on the link by supporting: a selectable VOD level, a selectable de-emphasis for signal conditioning, and Channel Link II data coding that provides randomization, scrambling, and DC-balancing of the data. The serializer includes multiple features to reduce EMI associated with display data transmission. This includes the randomization and scrambling of the serial data and system spread spectrum clock support. The serializer includes power-saving features with a sleep mode, auto stop clock feature, and optional LVCMOS (1.8 V or 3.3 V) I/O compatibility (see also [Optional Serial Bus Control](#) and [Built-In Self Test \(BIST\)](#)).

7.3.4.1 Signal Quality Enhancers

7.3.4.1.1 Serializer VOD Select (VODSEL)

The serializer differential output voltage may be increased by setting the VODSEL pin high. When VODSEL is low, the DC VOD is at the standard (default) level. When VODSEL is high, the VOD is increased in level. The increased VOD is useful in extremely high noise environments and extra long cable length applications. When using de-emphasis, TI recommends setting VODSEL = H to avoid excessive signal attenuation, especially with the larger de-emphasis settings. This feature may be controlled by external pin or by register.

Table 1. Serializer Differential Output Voltage

| INPUT | EFFECT | |
|-------|----------|-------------|
| | VOD (mV) | VOD (mVp-p) |
| L | ±300 | 600 |
| H | ±450 | 900 |

7.3.4.1.2 Serializer De-Emphasis (DE-EMPH)

The de-emphasis pin controls the amount of de-emphasis beginning one full bit time after a logic transition that the serializer drives. This is useful to counteract loading effects of long or lossy cables. This pin must be left open if used for standard switching currents (no de-emphasis) or if used under register control. De-emphasis is selected by connecting a resistor on this pin to ground, with the R value between 0.5 k Ω and 1 M Ω , or by register setting. When using de-emphasis, TI recommends setting VODSEL = H.

Table 2. De-Emphasis Resistor Value

| RESISTOR VALUE (k Ω) | DE-EMPHASIS SETTING |
|------------------------------|---------------------|
| Open | Disabled |
| 0.6 | -12 dB |
| 1 | -9 dB |
| 2 | -6 dB |
| 5 | -3 dB |

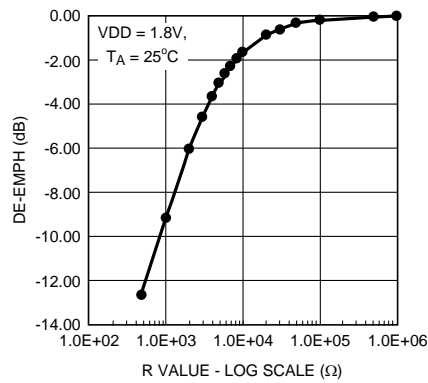


Figure 27. De-Emphasis vs R Value

7.3.4.2 EMI Reduction Features

7.3.4.2.1 Data Randomization and Scrambling

Channel Link II serializers and deserializers feature a three-step encoding process that enables the use of AC-coupled interconnects and also helps to manage EMI. The serializer first passes the parallel data through a scrambler which randomizes the data. The randomized data is then DC-balanced. The DC-balanced and randomized data then goes through a bit-shuffling circuit and is transmitted out on the serial line. This encoding process helps to prevent static data patterns on the serial stream. The resulting frequency content of the serial stream ranges from the parallel clock frequency to the Nyquist rate. For example, if the serializer and deserializer chipset is operating at a parallel clock frequency of 50 MHz, the resulting frequency content of the serial stream ranges from 50 MHz to 700 MHz ($50 \text{ MHz} \times 28 \text{ bits} = 1.4 \text{ GHz} / 2 = 700 \text{ MHz}$).

7.3.4.2.2 Serializer Spread Spectrum Compatibility

The serializer RXCLKIN is capable of tracking spread spectrum clocking (SSC) from a host source. The RXCLKIN accepts spread spectrum tracking up to 35-kHz modulation and ± 0.5 , ± 1 , or $\pm 2\%$ deviations (center spread). The maximum conditions for the RXCLKIN input are: a modulation frequency of 35 kHz and amplitude deviations of $\pm 2\%$ (4% total).

7.3.4.3 Power-Saving Features

7.3.4.3.1 Serializer Power-Down Feature (PDB)

The serializer has a PDB input pin to enable or power down the device. This pin is controlled by the host and is used to save power, disabling the link when the display is not required. In power-down mode, the high-speed driver outputs are both pulled to VDD and present a 0-V VOD state.

NOTE

In power-down, the optional serial bus control registers are RESET.

7.3.4.3.2 Serializer Stop Clock Feature

The serializer enters a low power SLEEP state when the RXCLKIN is stopped. A STOP condition is detected when the input clock frequency is less than 3 MHz. The clock must be held at a static low or high state. When the RXCLKIN starts again, the serializer locks to the valid input clock and then transmits the serial data to the deserializer.

NOTE

In STOP CLOCK SLEEP, the optional serial bus control registers values are RETAINED.

7.3.4.3.3 Serializer 1.8-V or 3.3-V VDDIO Operation

The serializer parallel control bus can operate with 1.8-V or 3.3-V levels (V_{DDIO}) for host compatibility. The 1.8-V levels offers lower noise (EMI) and also system power savings.

7.3.5 Deserializer Functional Description

The deserializer converts a single input serial data stream to a Channel Link LVDS clock and data bus and also provides a signal check for the chipset Built-In Self Test (BIST) mode. The device can be configured through external and strap pins or through the optional serial control bus. The deserializer features enhanced signal quality on the link by supporting an integrated equalizer on the serial input and Channel Link II data encoding which provides randomization, scrambling, and DC-balancing of the data. The deserializer includes multiple features to reduce EMI associated with display data transmission. This includes the randomization and scrambling of the data, Channel Link LVDS output interface, and output spread spectrum clock generation (SSCG) support. The deserializer includes power saving features with a power-down mode and optional LVCMOS (1.8-V) interface compatibility.

7.3.5.1 Signal Quality Enhancers

7.3.5.1.1 Deserializer Input Equalizer Gain (EQ)

The deserializer can enable receiver input equalization of the serial stream to increase the eye opening to the deserializer input.

NOTE

This function cannot be seen at the $RXIN_{\pm}$ input. The equalization feature may be controlled by the external pin or by register.

Table 3. Receiver Equalization Configuration

| EQ (STRAP OPTION) | EFFECT |
|-------------------|-----------------|
| L | ~1.625 dB (OFF) |
| H | ~13 dB |

7.3.5.2 EMI Reduction Features

7.3.5.2.1 Deserializer VOD Select (VODSEL)

The differential output voltage of the Channel Link parallel interface is controlled by the VODSEL input.

Table 4. Deserializer Differential Output Voltage

| INPUT | EFFECT | |
|-------|----------|-------------|
| | VOD (mV) | VOD (mVp-p) |
| L | ±250 | 500 |
| H | ±400 | 800 |

7.3.5.2.2 Deserializer Common-Mode Filter Pin (CMF) (Optional)

The deserializer provides access to the center tap of the internal termination. A capacitor may be placed on this pin for additional common-mode filtering of the differential pair. This can be useful in high-noise environments for additional noise rejection capability. A 4.7- μ F capacitor may be connected from this pin to Ground.

7.3.5.2.3 Deserializer SSCG Generation (Optional)

The deserializer provides an internally generated spread spectrum clock (SSCG) to modulate its outputs. Both clock and data outputs are modulated. This aids to lower system EMI. Output SSCG deviations of $\pm 2\%$ (4% total) at up to 100-kHz modulations are available (see [Table 5](#)). This feature may be controlled by external pins or by register.

NOTE

The deserializer supports the SSCG function with TXCLKOUT = 10 MHz to 65 MHz. When the TXCLKOUT = 65 MHz to 75 MHz, it is required to disable the SSCG function (SSC[2:0] = 000).

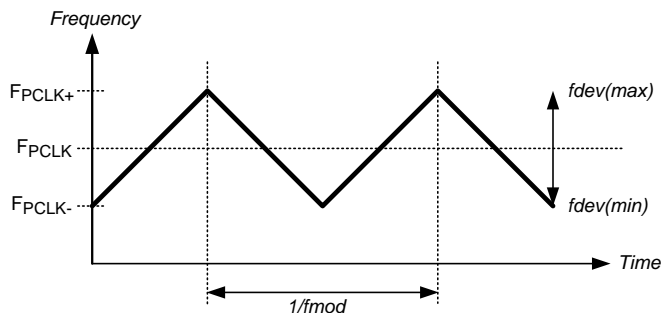


Figure 28. SSCG Waveform

Table 5. SSCG Configuration (LFMODE = L): Deserializer Output

| SSC[2:0] INPUTS LFMODE = L (20 TO 65 MHz) | | | RESULT | |
|--|------|------|----------|------------|
| SSC2 | SSC1 | SSC0 | fdev (%) | fmod (kHz) |
| L | L | L | Off | Off |
| L | L | H | ±0.9 | CLK/2168 |
| L | H | L | ±1.2 | |
| L | H | H | ±1.9 | |
| H | L | L | ±2.3 | |
| H | L | H | ±0.7 | CLK/1300 |
| H | H | L | ±1.3 | |
| H | H | H | ±1.7 | |

Table 6. SSCG Configuration (LFMODE = H): Deserializer Output

| SSC[2:0] INPUTS LFMODE = H (10 TO 20 MHz) | | | RESULT | |
|--|------|------|----------|------------|
| SSC2 | SSC1 | SSC0 | fdev (%) | fmod (kHz) |
| L | L | L | Off | Off |
| L | L | H | ±0.7 | CLK/625 |
| L | H | L | ±1.3 | |
| L | H | H | ±1.8 | |
| H | L | L | ±2.2 | |
| H | L | H | ±0.7 | CLK/385 |
| H | H | L | ±1.2 | |
| H | H | H | ±1.7 | |

7.3.5.2.4 Power-Saving Features

7.3.5.2.4.1 Deserializer Power-Down Feature (PDB)

The deserializer has a PDB input pin to enable or power down the device. This pin can be controlled by the system to save power, disabling the deserializer when the display is not required. An auto-detect mode is also available. In this mode, the PDB pin is tied high and the deserializer enters power-down when the serial stream stops. When the serial stream starts up again, the deserializer locks to the input stream, asserts the LOCK pin, and outputs valid data. In power-down mode, the LVDS data and clock output states are determined by the OSS_SEL status.

NOTE

In power-down, the optional serial bus control registers are RESET.

7.3.5.2.4.2 Deserializer Stop Stream SLEEP Feature

The deserializer enters a low power SLEEP state when the input serial stream is stopped. A STOP condition is detected when the embedded clock bits are not present. When the serial stream starts again, the deserializer then locks to the incoming signal and recovers the data.

NOTE

In STOP STREAM SLEEP, the optional serial bus control registers values are RETAINED.

7.3.5.2.4.3 Deserializer 1.8-V or 3.3-V VDDIO Operation

The deserializer parallel control bus can operate with 1.8-V or 3.3-V levels (V_{DDIO}) for target (display) compatibility. The 1.8-V levels offers lower noise (EMI) and also system power savings.

7.3.5.3 Deserializer Clock-Data Recovery Status Flag (LOCK), Output Enable (OEN), and Output State Select (OSS_SEL)

When PDB is driven high, the CDR PLL begins locking to the serial input, and LOCK goes from TRI-STATE to low (depending on the value of the OSS_SEL setting). After the DS92LV0422 completes its lock sequence to the input serial data, the LOCK output is driven high, indicating valid data and clock recovered from the serial input is available on the Channel Link outputs. The TXCLKOUT output is held at its current state at the change from OSC_CLK (if this is enabled through OSS_SEL) to the recovered clock (or vice versa).

NOTE

The Channel Link outputs may be held in an inactive state (TRI-STATE) through the use of the Output Enable pin (OEN).

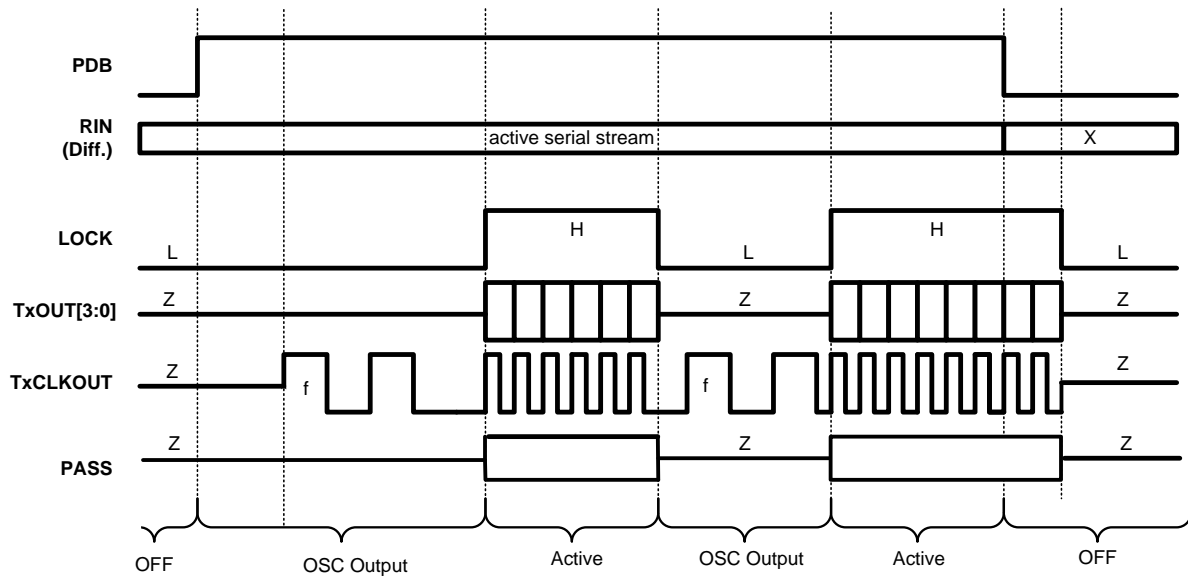
If there is a loss of clock from the input serial stream, LOCK is driven low and the state of the outputs are based on the OSS_SEL setting (configuration pin or register).

Table 7. PDB, OEN, and OSS_SEL Configuration (Deserializer Outputs)

| SERIAL INPUT | INPUTS | | | OUTPUTS | |
|--------------|--------|-----|---------|---------|--|
| | PDB | OEN | OSS_SEL | LOCK | OTHER OUTPUTS |
| X | L | X | X | X | TXCLKOUT is TRI-STATE TXOUT[3:0] are TRI-STATE PASS is TRI-STATE |
| Static | H | X | L | L | TXCLKOUT is TRI-STATE TXOUT[3:0] are TRI-STATE PASS is HIGH |
| Static | H | L | H | L | TXCLKOUT is TRI-STATE TXOUT[3:0] are TRI-STATE PASS is TRI-STATE |
| Static | H | H | H | L | TXCLKOUT is TRI-STATE or Oscillator Output through Register bit TXOUT[3:0] are TRI-STATE PASS is TRI-STATE |
| Active | H | L | X | H | TXCLKOUT is TRI-STATE TXOUT[3:0] are TRI-STATE PASS is Active |
| Active | H | H | X | H | TXCLKOUT is Active TXOUT[3:0] are Active PASS is Active (Normal operating mode) |

7.3.5.4 Deserializer Oscillator Output (Optional)

The deserializer provides an optional clock output when the input clock (serial stream) has been lost. This is based on an internal oscillator. The frequency of the oscillator may be selected. This feature may be controlled by external pin or by register.



CONDITIONS: OEN = H, OSS_SEL = H, and OSC_SEL not equal to 000.

Figure 29. TXCLKOUT Output Oscillator Option Enabled

7.3.6 Built-In Self Test (BIST)

An optional at-speed Built-In Self Test (BIST) feature supports the testing of the high-speed serial link. This is useful in the prototype stage, equipment production, in-system test, and for system diagnostics. In BIST mode, only an input clock is required along with control to the serializer and deserializer BISTEN input pins. The serializer outputs a test pattern (PRBS-7) and drives the link at speed. The deserializer detects the PRBS-7 pattern and monitors it for errors. A PASS output pin toggles to flag any payloads that are received with 1 to 24 errors. Upon completion of the test, the result of the test is held on the PASS output until reset (new BIST test or power-down). A high on PASS indicates NO ERRORS were detected. A low on PASS indicates one or more errors were detected. The duration of the test is controlled by the pulse width applied to the deserializer BISTEN pin.

Inter-operability is supported between this Channel Link II device and all Channel Link II generations (Gen 1/2/3); see respective data sheets for details on entering BIST mode and control.

7.3.6.1 Sample BIST Sequence

See [Figure 30](#) for the BIST mode flow diagram.

Step 1: Place the serializer in BIST Mode by setting serializer BISTEN = H. BIST Mode is enabled through the BISTEN pin. An RXCLKIN is required for BIST. When the deserializer detects the BIST mode pattern and command (DCA and DCB code), the data and control signal outputs are shut off.

Step 2: Place the deserializer in BIST mode by setting the BISTEN = H. The deserializer is now in BIST mode and checks the incoming serial payloads for errors. If an error in the payload (1 to 24) is detected, the PASS pin switches low for one half of the clock period. During the BIST test, the PASS output can be monitored and counted to determine the payload error rate.

Step 3: To stop BIST mode, the deserializer BISTEN pin is set low. The deserializer stops checking the data, and the final test result is held on the PASS pin. If the test ran error free, the PASS output is high. If there is one or more errors detected, the PASS output is low. The PASS output state is held until a new BIST is run, the device is RESET, or powered down. The BIST duration is user controlled by the duration of the BISTEN signal.

Step 4: To return the link to normal operation, the serializer BISTEN input is set low. The link returns to normal operation.

[Figure 31](#) shows the waveform diagram of a typical BIST test for two cases. Case 1 is error-free, and Case 2 shows one with multiple errors. In most cases, it is difficult to generate errors due to the robustness of the link (differential data transmission and so forth), thus they may be introduced by greatly extending the cable length, faulting the interconnect, or reducing signal condition enhancements (de-emphasis, VODSEL, or Rx equalization).

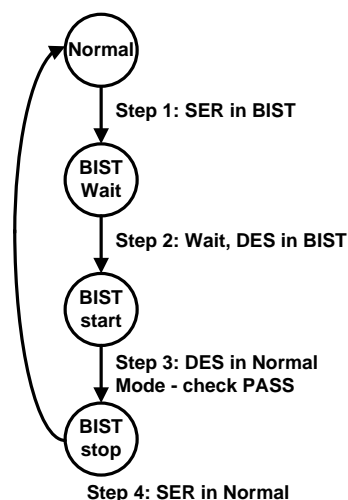


Figure 30. BIST Mode Flow Diagram

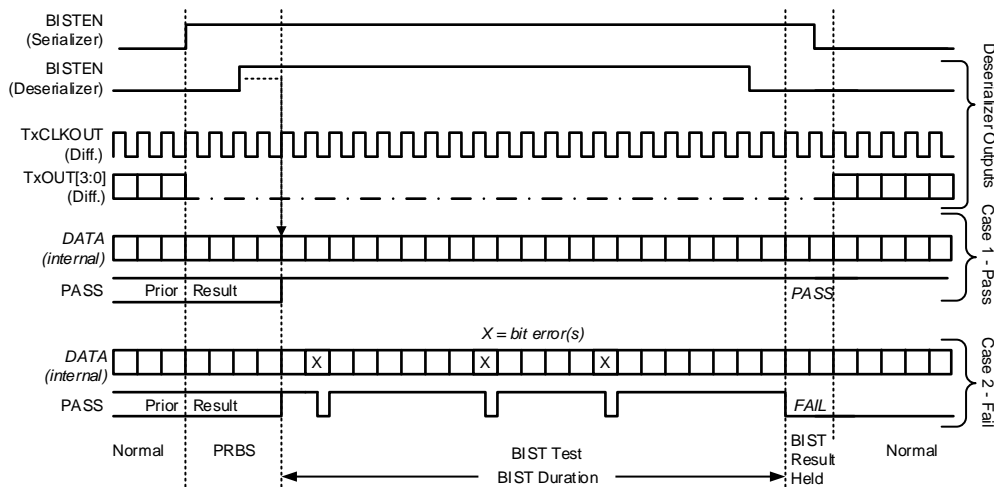


Figure 31. BIST Waveforms

7.3.6.2 BER Calculations

It is possible to calculate the approximate Bit Error Rate (BER). The following is required:

- Clock Frequency (MHz)
- BIST Duration (seconds)
- BIST Test Result (PASS)

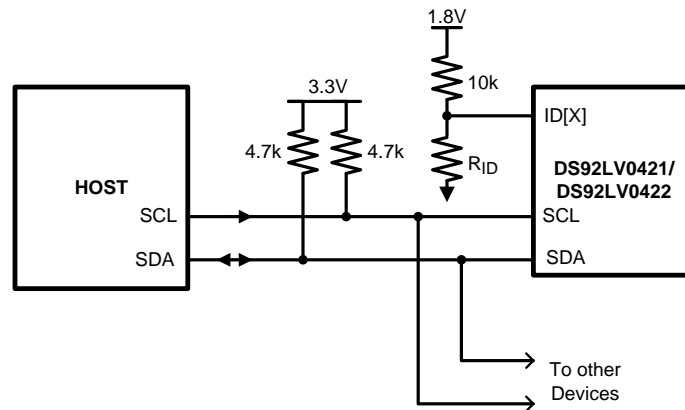
The BER is less than or equal to one over the product of 24 times the RXCLKIN rate times the test duration. If we assume a 65-MHz clock, a 10-minute (600 seconds) test, and a PASS, the BER is $\leq 1.07 \times 10E-12$.

BIST mode runs a check on the data payload bits. The LOCK pin also provides a link status. If the recovery of the C0 and C1 bits does not reconstruct the expected clock signal, the LOCK pin switches low. The combination of the LOCK and at-speed BIST PASS pin provides a powerful tool for system evaluation and performance monitoring.

7.3.7 Optional Serial Bus Control

The serializer and deserializer may also be configured by the use of a serial control bus that is I²C protocol-compatible. By default, the I²C Reg 0x00 = 0x00, and all configuration is set by control or strap pins. Writing Reg 0x00 = 0x01 enables or allows configuration by registers; this overrides the control or strap pins. Multiple devices may share the serial control bus, because multiple addresses are supported (see Figure 32).

The serial bus is comprised of three pins. The SCL is a serial bus clock input. The SDA is the serial bus data input or output signal. Both SCL and SDA signals require an external pullup resistor to V_{DDIO}. For most applications, a 4.7-kΩ pullup resistor to V_{DDIO} may be used. The resistor value may be adjusted for capacitive loading and data rate requirements. The signals are either pulled high or driven low.



Copyright © 2016, Texas Instruments Incorporated

Figure 32. Serial Control Bus Connection

The third pin is the ID[X] pin. This pin sets one of four possible device addresses. Two different connections are possible:

- The pin may be pulled to V_{DD} (1.8 V, not V_{DDIO}) with a 10-k Ω resistor.
- The pin may be pulled to V_{DD} (1.8 V, not V_{DDIO}) with a 10-k Ω resistor and pulled down to ground with a recommended value RID resistor. This creates a voltage divider that sets the other three possible addresses.

See [Table 8](#) for the serializer and [Table 9](#) for the deserializer. Do not tie ID[X] directly to VSS.

Table 8. ID[X] Resistor Value: DS92LV0421 (Serializer)

| RESISTOR RID k Ω ⁽¹⁾ (5% TOL) | ADDRESS 7'b | ADDRESS 8'b 0 APPENDED (WRITE) |
|---|---------------------|--------------------------------------|
| 0.47 | 7b' 110 1001 (h'69) | 8b' 1101 0010 (h'D2) |
| 2.7 | 7b' 110 1010 (h'6A) | 8b' 1101 0100 (h'D4) |
| 8.2 | 7b' 110 1011 (h'6B) | 8b' 1101 0110 (h'D6) |
| Open | 7b' 110 1110 (h'6E) | 8b' 1101 1100 (h'DC) |

(1) RID \neq 0 Ω . Do not connect directly to VSS (GND). This is not a valid address.

Table 9. ID[X] Resistor Value – DS92LV0422 (Deserializer)

| RESISTOR RID k Ω ⁽¹⁾ (5% TOL) | ADDRESS 7'b | ADDRESS 8'b 0 APPENDED (WRITE) |
|---|---------------------|--------------------------------------|
| 0.47 | 7b' 111 0001 (h'71) | 8b' 1110 0010 (h'E2) |
| 2.7 | 7b' 111 0010 (h'72) | 8b' 1110 0100 (h'E4) |
| 8.2 | 7b' 111 0011 (h'73) | 8b' 1110 0110 (h'E6) |
| Open | 7b' 111 0110 (h'76) | 8b' 1110 1100 (h'EC) |

(1) RID \neq 0 Ω . Do not connect directly to VSS (GND). This is not a valid address.

The serial bus protocol is controlled by START, START-repeated, and STOP phases. A START occurs when SCL transitions low while SDA is high. A STOP occurs when SDA transitions high while SCL is also high (see Figure 33).

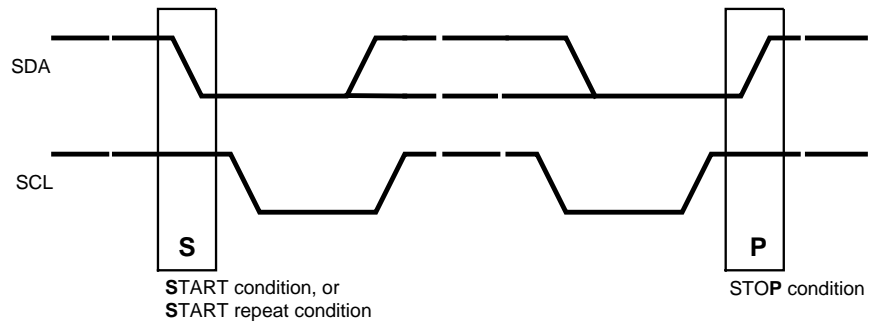


Figure 33. START and STOP Conditions

To communicate with a remote device, the host controller (master) sends the slave address and listens for a response from the slave. This response is referred to as an acknowledge bit (ACK). If a slave on the bus is addressed correctly, it Acknowledges (ACKs) the master by driving the SDA bus low. If the address doesn't match the slave address of a device, it Not-acknowledges (NACKs) the master by letting SDA be pulled high. ACKs also occur on the bus when data is being transmitted. When the master is writing data, the slave ACKs after every data byte is successfully received. When the master is reading data, the master ACKs after every data byte is received to let the slave know it wants to receive another data byte. When the master wants to stop reading, it NACKs after the last data byte and creates a stop condition on the bus. All communication on the bus begins with either a start condition or a repeated start condition. All communication on the bus ends with a stop condition. A READ is shown in Figure 34 and a WRITE is shown in Figure 35.

NOTE

During initial power-up, a delay of 10 ms is required before the I²C responds.

If the serial bus is not required, the three pins may be left open (NC).

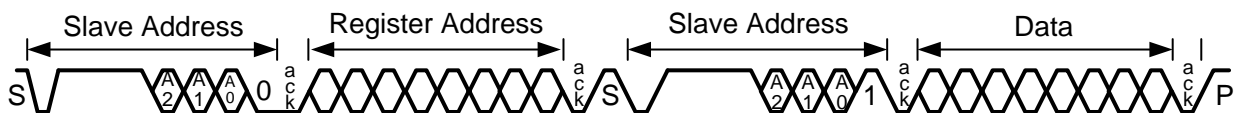


Figure 34. Serial Control Bus: READ



Figure 35. Serial Control Bus: WRITE

7.4 Device Functional Modes

7.4.1 Serializer and Deserializer Operating Modes and Reverse Compatibility (CONFIG[1:0])

The DS92LV042x chipset is compatible with other single serial lane Channel Link II or FPD-Link II devices. Configuration modes are provided for reverse compatibility with the DS90C241 or DS90C124 chipset (FPD-Link II Generation 1) and also the DS90UR241 / DS90UR124 chipset (FPD-Link II Generation 2) by setting the respective mode with the CONFIG[1:0] pins on the serializer or deserializer as shown in [Table 10](#) and [Table 11](#). This selection also determines whether the control signal filter feature is enabled or disabled in the normal mode. This feature may be controlled by external pin or by register.

Table 10. DS92LV0421 Serializer Modes

| CONFIG1 | CONFIG0 | MODE | COMPATIBLE DESERIALIZER DEVICE |
|---------|---------|--|--|
| L | L | Normal Mode, Control Signal Filter disabled | DS92LV0422, DS92LV0412, DS92LV2422, DS92LV2412 |
| L | H | Normal Mode, Control Signal Filter enabled | DS92LV0422, DS92LV0412, DS92LV2422, DS92LV2412 |
| H | L | Reverse Compatibility Mode (FPD-Link II, GEN2) | DS90UR124, DS99R124Q-Q1 |
| H | H | Reverse Compatibility Mode (FPD-Link II, GEN1) | DS90C124 |

Table 11. DS92LV0422 Deserializer Modes

| CONFIG1 | CONFIG0 | MODE | COMPATIBLE SERIALIZER DEVICE |
|---------|---------|--|--|
| L | L | Normal Mode, Control Signal Filter disabled | DS92LV0421, DS92LV0411, DS92LV2421, DS92LV2411 |
| L | H | Normal Mode, Control Signal Filter enabled | DS92LV0421, DS92LV0411, DS92LV2421, DS92LV2411 |
| H | L | Reverse Compatibility Mode (FPD-Link II, GEN2) | DS90UR241, DS99R421 |
| H | H | Reverse Compatibility Mode (FPD-Link II, GEN1) | DS90C241 |

7.5 Register Maps

Table 12. SERIALIZER: Serial Bus Control Registers

| ADD (DEC) | ADD (HEX) | REGISTER NAME | BIT(S) | R/W | DEFAULT (BIN) | FUNCTION | DESCRIPTION |
|-----------|-----------|---------------------|--------|-----|---------------|---------------------|--|
| 0 | 0 | Serializer Config 1 | 7 | R/W | 0 | <i>Reserved</i> | <i>Reserved</i> |
| | | | 6 | R/W | 0 | MAPSEL | 0: LSB on RXIN3 1: MSB on RXIN3 |
| | | | 5 | R/W | 0 | VODSEL | 0: Low 1: High |
| | | | 4 | R/W | 0 | <i>Reserved</i> | <i>Reserved</i> |
| | | | 3:2 | R/W | 00 | CONFIG | 00: Normal Mode, Control Signal Filter Disabled 01: Normal Mode, Control Signal Filter Enabled 10: DS90UR124, DS99R124Q-Q1 Reverse-Compatibility Mode (FPD-Link II, GEN2) 11: DS90C124 Reverse-Compatibility Mode (FPD-Link II, GEN1) |
| | | | 1 | R/W | 0 | SLEEP | Note – not the same function as PowerDown (PDB) 0: Normal Mode 1: Sleep Mode – Register settings retained. |
| | | | 0 | R/W | 0 | REG | 0: Configurations set from control pins 1: Configuration set from registers (except I ² C_ID) |
| 1 | 1 | Device ID | 7 | R/W | 0 | REG ID | 0: Address from ID[X] Pin 1: Address from Register |
| | | | 6:0 | R/W | 1101000 | ID[X] | Serial Bus Device ID, four IDs are: 7b '1101 001 (h'69) 7b '1101 010 (h'6A) 7b '1101 011 (h'6B) 7b '1101 110 (h'6E) All other addresses are <i>reserved</i> . |
| 2 | 2 | De-Emphasis Control | 7:5 | R/W | 000 | De-Emphasis Setting | 000: set by external resistor 001: –1 dB 010: –2 dB 011: –3.3 dB 100: –5 dB 101: –6.7 dB 110: –9 dB 111: –12 dB |
| | | | 4 | R/W | 0 | De-Emphasis EN | 0: De-emphasis Enabled 1: De-emphasis Disabled |
| | | | 3:0 | R/W | 0000 | <i>Reserved</i> | <i>Reserved</i> |

Table 13. DESERIALIZER: Serial Bus Control Registers

| ADD (DEC) | ADD (HEX) | REGISTER NAME | BIT(S) | R/W | DEFAULT (BIN) | FUNCTION | DESCRIPTION |
|-----------|-----------|-------------------------|--------|-----|---------------|-----------------|--|
| 0 | 0 | Deserializer Config 1 | 7 | R/W | 0 | LFMODE | 0: 20 to 65 MHz SSCG Operation 1: 10 to 20 MHz SSCG Operation |
| | | | 6 | R/W | 0 | MAPSEL | Channel Link Map Select 0: LSB on TXOUT3± 1: MSB on TXOUT3± |
| | | | 5 | R/W | 0 | <i>Reserved</i> | <i>Reserved</i> |
| | | | 4 | R/W | 0 | <i>Reserved</i> | <i>Reserved</i> |
| | | | 3:2 | R/W | 00 | CONFIG | 00: Normal Mode, Control Signal Filter Disabled 01: Normal Mode, Control Signal Filter Enabled 10: DS90UR241, DS99R421 Reverse-Compatibility Mode (FPD-Link II, GEN2) 11: DS90C241 Reverse-Compatibility Mode (FPD-Link II, GEN1) |
| | | | 1 | R/W | 0 | SLEEP | Note – not the same function as PowerDown (PDB) 0: Normal Mode 1: Sleep Mode – Register settings retained. |
| | | | 0 | R/W | 0 | REG Control | 0: Configurations set from control or strap pins 1: Configuration set from registers (except I ² C_ID) |
| 1 | 1 | Device ID | 7 | R/W | 0 | REG ID | 0: Address from ID[X] Pin 1: Address from Register |
| | | | 6:0 | R/W | 1110000 | ID[X] | Serial Bus Device ID, four IDs are: 7b' 111 0001 (h'71) 7b' 111 0010 (h'72) 7b' 111 0011 (h'73) 7b' 111 0110 (h'76) All other addresses are <i>reserved</i> . |
| 2 | 2 | Deserializer Features 1 | 7 | R/W | 0 | OEN | Output Enable Input See Table 7 |
| | | | 6 | R/W | 0 | OSS_SEL | Output Sleep State Select See Table 7 |
| | | | 5:4 | R/W | 00 | <i>Reserved</i> | <i>Reserved</i> |
| | | | 3 | R/W | 0 | VODSEL | Differential LVDS Driver Output Voltage Select 0: LVDS VOD is ±250 mV, 500 mVp-p (typ) 1: LVDS VOD is ±400 mV, 800 mVp-p (typ) |
| | | | 2:0 | R/W | 000 | OSC_SEL | 000: OFF 001: <i>Reserved</i> 010: 25 MHz ± 40% 011: 16.7 MHz ± 40% 100: 12.5 MHz ± 40% 101: 10 MHz ± 40% 110: 8.3 MHz ± 40% 111: 6.3 MHz ± 40% |

Table 13. DESERIALIZER: Serial Bus Control Registers (continued)

| ADD (DEC) | ADD (HEX) | REGISTER NAME | BIT(S) | R/W | DEFAULT (BIN) | FUNCTION | DESCRIPTION |
|-----------|-----------|-------------------------|--------|-----|---------------|-----------------|---|
| 3 | 3 | Deserializer Features 2 | 7:5 | R/W | 000 | EQ Gain | 000: -1.625 dB 001: -3.25 dB 010: -4.87 dB 011: -6.5 dB 100: -8.125 dB 101: -9.75 dB 110: -11.375 dB 111: -13 dB |
| | | | 4 | R/W | 0 | EQ Enable | 0: EQ = disabled 1: EQ = enabled |
| | | | 3 | R/W | 0 | <i>Reserved</i> | <i>Reserved</i> |
| | | | 2:0 | R/W | 000 | SSC | If LFMODE = 0 then: 000: SSCG OFF 001: fdev = ±0.9%, fmod = CLK/2168 010: fdev = ±1.2%, fmod = CLK/2168 011: fdev = ±1.9%, fmod = CLK/2168 100: fdev = ±2.3%, fmod = CLK/2168 101: fdev = ±0.7%, fmod = CLK/1300 110: fdev = ±1.3%, fmod = CLK/1300 111: fdev = ±1.7%, fmod = CLK/1300 If LFMODE = 1, then: 001: fdev = ±0.7%, fmod = CLK/625 010: fdev = ±1.3%, fmod = CLK/625 011: fdev = ±1.8%, fmod = CLK/625 100: fdev = ±2.2%, fmod = CLK/625 101: fdev = ±0.7%, fmod = CLK/385 110: fdev = ±1.2%, fmod = CLK/385 111: fdev = ±1.7%, fmod = CLK/385 |

8 Application and Implementation

NOTE

Information in the following applications sections is not part of the TI component specification, and TI does not warrant its accuracy or completeness. TI's customers are responsible for determining suitability of components for their purposes. Customers should validate and test their design implementation to confirm system functionality.

8.1 Application Information

8.1.1 Display Application

The DS92LV042x chipset is intended for interface between a host (graphics processor) and a display. It supports a 24-bit color depth (RGB888) and up to 1024 × 768 display formats. In a RGB888 application, 24 color bits (R[7:0], G[7:0], and B[7:0]), Pixel Clock (PCLK), and three control bits (VS, HS, and DE) are supported across the serial link with RXCLKIN rates from 10 to 75 MHz. The chipset may also be used in 18-bit color applications. In this application, three to six general-purpose signals may also be sent from host to display.

8.1.2 Live Link Insertion

The serializer and deserializer devices support live link or cable hot plug applications. The automatic receiver lock to random data *plug and go* hot insertion capability allows the DS92LV0422 to attain lock to the active data stream during a live insertion event.

8.1.3 Alternate Color or Data Mapping

Color-mapped data pin names are provided to specify a recommended mapping for 24-bit and 18-bit applications. Seven (7) is assumed to be the MSB, and Zero (0) is assumed to be the LSB. While this is recommended, it is not required. When connecting to earlier generations of FPD-Link II serializer and deserializer devices, a color mapping review is recommended to ensure the correct connectivity is obtained. [Table 14](#) provides examples for interfacing between DS92LV0421 and different deserializers. [Table 15](#) provides examples for interfacing between DS92LV0422 and different serializers.

Table 14. Serializer Alternate Color or Data Mapping

| CHANNEL LINK | BIT NUMBER | RGB (LSB EXAMPLE) | DS92LV2422 | DS90UR124 | DS99R124Q-Q1 | DS90C124 |
|--------------|------------|-------------------|------------|-----------|--------------|----------|
| RXIN3 | Bit 26 | B1 | B1 | N/A | N/A | N/A |
| | Bit 25 | B0 | B0 | | | |
| | Bit 24 | G1 | G1 | | | |
| | Bit 23 | G0 | G0 | | | |
| | Bit 22 | R1 | R1 | | | |
| | Bit 21 | R0 | R0 | | | |
| RXIN2 | Bit 20 | DE | DE | ROUT20 | TXOUT2 | ROUT20 |
| | Bit 19 | VS | VS | ROUT19 | | ROUT19 |
| | Bit 18 | HS | HS | ROUT18 | | ROUT18 |
| | Bit 17 | B7 | B7 | ROUT17 | | ROUT17 |
| | Bit 16 | B6 | B6 | ROUT16 | | ROUT16 |
| | Bit 15 | B5 | B5 | ROUT15 | | ROUT15 |
| | Bit 14 | B4 | B4 | ROUT14 | | ROUT14 |

Application Information (continued)
Table 14. Serializer Alternate Color or Data Mapping (continued)

| CHANNEL LINK | BIT NUMBER | RGB (LSB EXAMPLE) | DS92LV2422 | DS90UR124 | DS99R124Q-Q1 | DS90C124 |
|----------------------------|-------------------|-------------------|-------------------------|-------------------------|--------------------|-------------------------|
| RXIN1 | Bit 13 | B3 | B3 | ROUT13 | TXOUT1 | ROUT13 |
| | Bit 12 | B2 | B2 | ROUT12 | | ROUT12 |
| | Bit 11 | G7 | G7 | ROUT11 | | ROUT11 |
| | Bit 10 | G6 | G6 | ROUT10 | | ROUT10 |
| | Bit 9 | G5 | G5 | ROUT9 | | ROUT9 |
| | Bit 8 | G4 | G4 | ROUT8 | | ROUT8 |
| | Bit 7 | G3 | G3 | ROUT7 | | ROUT7 |
| RXIN0 | Bit 6 | G2 | G2 | ROUT6 | TXOUT0 | ROUT6 |
| | Bit 5 | R7 | R7 | ROUT5 | | ROUT5 |
| | Bit 4 | R6 | R6 | ROUT4 | | ROUT4 |
| | Bit 3 | R5 | R5 | ROUT3 | | ROUT3 |
| | Bit 2 | R4 | R4 | ROUT2 | | ROUT2 |
| | Bit 1 | R3 | R3 | ROUT1 | | ROUT1 |
| | Bit 0 | R2 | R2 | ROUT0 | | ROUT0 |
| N/A | N/A | N/A | N/A | ROUT23 ⁽¹⁾ | OS2 ⁽¹⁾ | ROUT23 ⁽¹⁾ |
| | | | | ROUT22 ⁽¹⁾ | OS1 ⁽¹⁾ | ROUT22 ⁽¹⁾ |
| | | | | ROUT21 ⁽¹⁾ | OS0 ⁽¹⁾ | ROUT21 ⁽¹⁾ |
| DS92LV0421 SETTINGS | MAPSEL = 0 | | CONFIG[1:0] = 00 | CONFIG[1:0] = 10 | | CONFIG[1:0] = 11 |

(1) These bits are not supported by the DS92LV0421.

Table 15. Deserializer Alternate Color or Data Mapping

| CHANNEL LINK | BIT NUMBER | RGB (LSB EXAMPLE) | DS92LV2421 | DS90UR241 | DS99R421 | DS90C241 |
|--------------|------------|-------------------|------------|-----------|----------|----------|
| TXOUT3 | Bit 26 | B1 | B1 | N/A | N/A | N/A |
| | Bit 25 | B0 | B0 | | | |
| | Bit 24 | G1 | G1 | | | |
| | Bit 23 | G0 | G0 | | | |
| | Bit 22 | R1 | R1 | | | |
| | Bit 21 | R0 | R0 | | | |
| TXOUT2 | Bit 20 | DE | DE | DIN20 | RXIN2 | DIN20 |
| | Bit 19 | VS | VS | DIN19 | | DIN19 |
| | Bit 18 | HS | HS | DIN18 | | DIN18 |
| | Bit 17 | B7 | B7 | DIN17 | | DIN17 |
| | Bit 16 | B6 | B6 | DIN16 | | DIN16 |
| | Bit 15 | B5 | B5 | DIN15 | | DIN15 |
| | Bit 14 | B4 | B4 | DIN14 | | DIN14 |
| TXOUT1 | Bit 13 | B3 | B3 | DIN13 | RXIN1 | DIN13 |
| | Bit 12 | B2 | B2 | DIN12 | | DIN12 |
| | Bit 11 | G7 | G7 | DIN11 | | DIN11 |
| | Bit 10 | G6 | G6 | DIN10 | | DIN10 |
| | Bit 9 | G5 | G5 | DIN9 | | DIN9 |
| | Bit 8 | G4 | G4 | DIN8 | | DIN8 |
| | Bit 7 | G3 | G3 | DIN7 | | DIN7 |

Table 15. Deserializer Alternate Color or Data Mapping (continued)

| CHANNEL LINK | BIT NUMBER | RGB (LSB EXAMPLE) | DS92LV2421 | DS90UR241 | DS99R421 | DS90C241 |
|----------------------------|-------------------|-------------------|-------------------------|-------------------------|--------------------|-------------------------|
| TXOUT0 | Bit 6 | G2 | G2 | DIN6 | RXIN0 | DIN6 |
| | Bit 5 | R7 | R7 | DIN5 | | DIN5 |
| | Bit 4 | R6 | R6 | DIN4 | | DIN4 |
| | Bit 3 | R5 | R5 | DIN3 | | DIN3 |
| | Bit 2 | R4 | R4 | DIN2 | | DIN2 |
| | Bit 1 | R3 | R3 | DIN1 | | DIN1 |
| | Bit 0 | R2 | R2 | DIN0 | | DIN0 |
| N/A | N/A | N/A | N/A | DIN23 ⁽¹⁾ | OS2 ⁽¹⁾ | DIN23 ⁽¹⁾ |
| | | | | DIN22 ⁽¹⁾ | OS1 ⁽¹⁾ | DIN22 ⁽¹⁾ |
| | | | | DIN21 ⁽¹⁾ | OS0 ⁽¹⁾ | DIN21 ⁽¹⁾ |
| DS92LV0422 SETTINGS | MAPSEL = 0 | | CONFIG[1:0] = 00 | CONFIG[1:0] = 10 | | CONFIG[1:0] = 11 |

(1) These bits are not supported by the DS92LV0422.

8.2 Typical Application

8.2.1 DS92LV0421 Typical Connection

Figure 36 shows a typical application of the DS92LV0421 serializer in pin control mode for a 24-bit application. The LVDS inputs require external 100-Ω differential termination resistors. The CML outputs require 0.1-μF, AC-coupling capacitors to the line. The line driver includes internal termination. Bypass capacitors are placed near the power supply pins. At a minimum, four 0.1-μF capacitors and a 4.7-μF capacitor must be used for local device bypassing. Ferrite beads are placed on the power lines for effective noise suppression. System GPO (General Purpose Output) signals control the PDB and BISTEN pins. A delay cap is placed on the PDB signal to delay the enabling of the device until power is stable.

The application assumes connection to the companion deserializer (DS92LV0422), and therefore the configuration pins CONFIG[1:0] are also both tied low. In this example, the cable is long, and therefore the VODSEL pin is tied high and a De-Emphasis value is selected by the resistor R1. The interface to the host is with 1.8-V LVCMOS levels, thus the VDDIO pin is connected also to the 1.8-V rail. The optional serial bus control is not used in this example, thus the SCL, SDA and ID[X] pins can be left open.

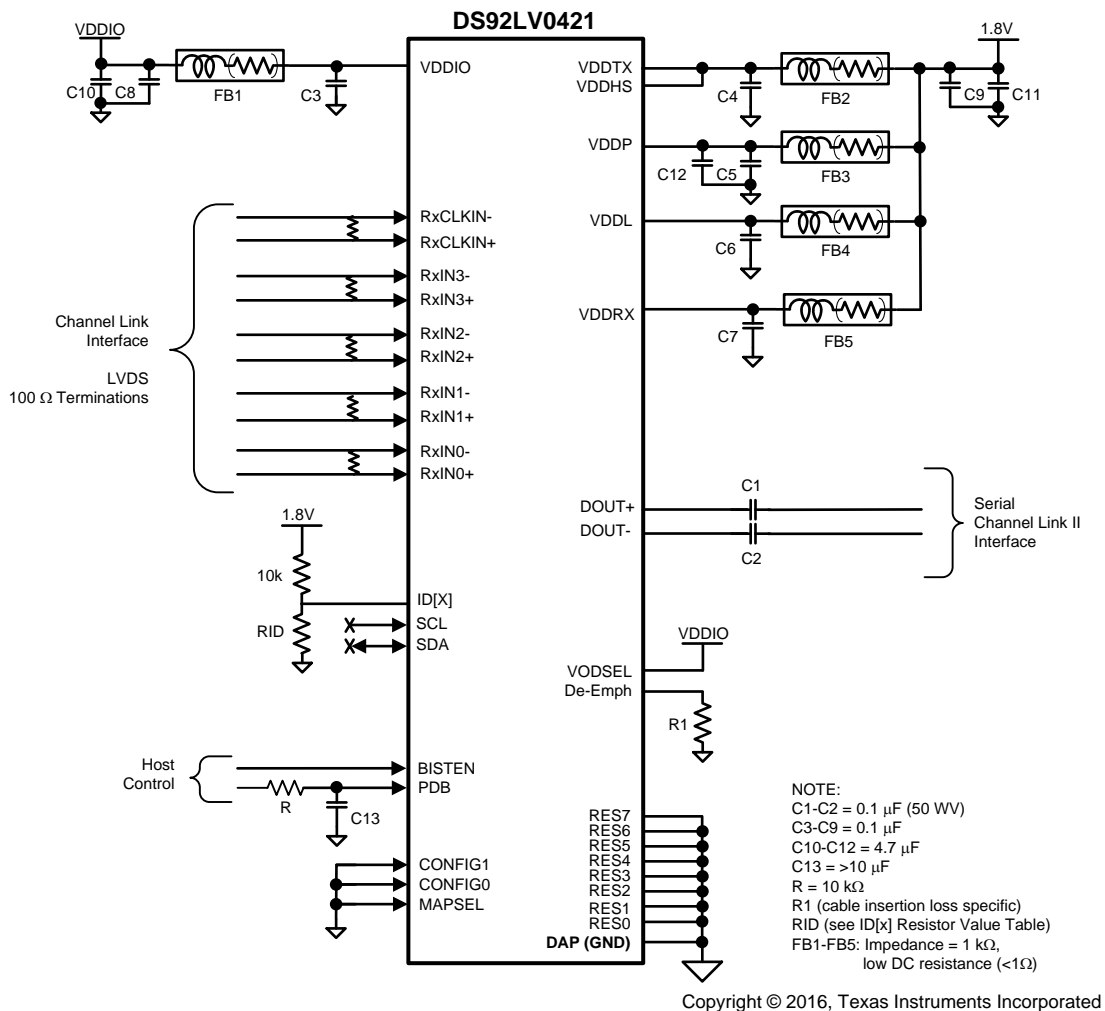


Figure 36. DS92LV0421 Typical Connection Diagram

Typical Application (continued)

8.2.1.1 Design Requirements

For this design example, use the parameters listed in [Table 16](#) as the input parameters.

Table 16. Design Parameters

| PARAMETER | VALUE |
|---------------------------------|----------------|
| VDDIO | 1.8 V or 3.3 V |
| VDDL, VDDP, VDDHS, VDDTX, VDDRX | 1.8 V |
| AC Coupling Capacitor for DOUT± | 100 nF |

8.2.1.2 Detailed Design Procedure

The DOUT± outputs require 100-nF, AC-coupling capacitors to the line. Channel-Link data input pairs require an external 100-Ω termination for standard LVDS levels. The power supply filter capacitors are placed near the power supply pins. A smaller capacitance capacitor must be placed closer to the power supply pins. Adding a ferrite bead is optional, and if used, TI recommends using a ferrite bead with 1-kΩ impedance and low DC resistance (less than 1 Ω). The VODSEL pin is tied to VDDIO for long cable applications. The de-emphasis pin may connect a resistor to Ground (see [Table 2](#)). The PDB and BISTEN pins are assumed to be controlled by a microprocessor. The PDB must remain in a low state until all power supply voltages reach the final voltage. The CONFIG[1:0] pins are set depending on operating modes and backward compatibility (see [Table 10](#)). The MAPSEL pin sets the mapping scheme (see [Figure 23](#) and [Figure 24](#)). The SCL, SDA, and ID[X] pins can be left open when these serial bus control pins are unused. The RES[7:0] pins and DAP must be tied to Ground.

8.2.1.3 Application Curves

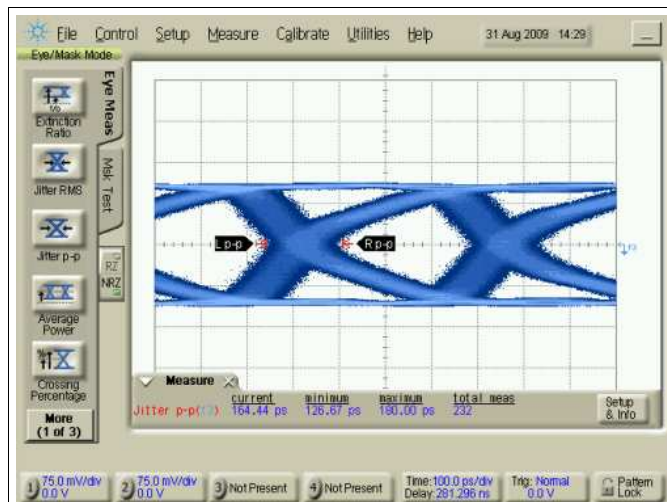


Figure 37. Serializer CML Output Stream, RXCLKIN = 65 MHz, VODSEL = L

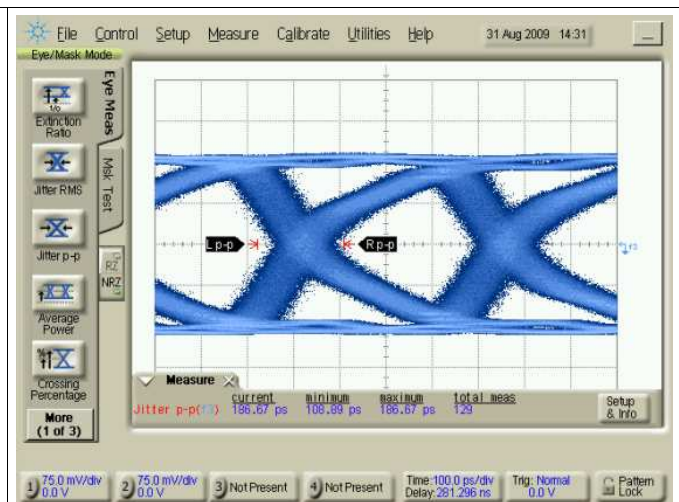


Figure 38. Serializer CML Output Stream, RXCLKIN = 65 MHz, VODSEL = H

8.2.2 DS92LV0422 Typical Application

Figure 39 shows a typical application of the DS92LV0422 for a 24-bit application. The CML inputs require 0.1- μ F, AC-coupling capacitors to the line, and the receiver provides internal termination. Bypass capacitors are placed near the power supply pins. At a minimum, four 0.1- μ F capacitors and a 4.7- μ F capacitor must be used for local device bypassing. Ferrite beads are placed on the power lines for effective noise suppression. System GPO (General Purpose Output) signals control the PDB and BISTEN pins. A delay cap is placed on the PDB signal to delay the enabling of the device until power is stable.

The application assumes connection to the companion serializer (DS92LV0421), and therefore the configuration pins CONFIG[1:0] are also both tied low. The interface to the host is with 1.8-V LVCMOS levels, thus the VDDIO pin is connected also to the 1.8-V rail. The optional serial bus control is not used in this example, thus the SCL, SDA, and ID[X] pins can be left open.

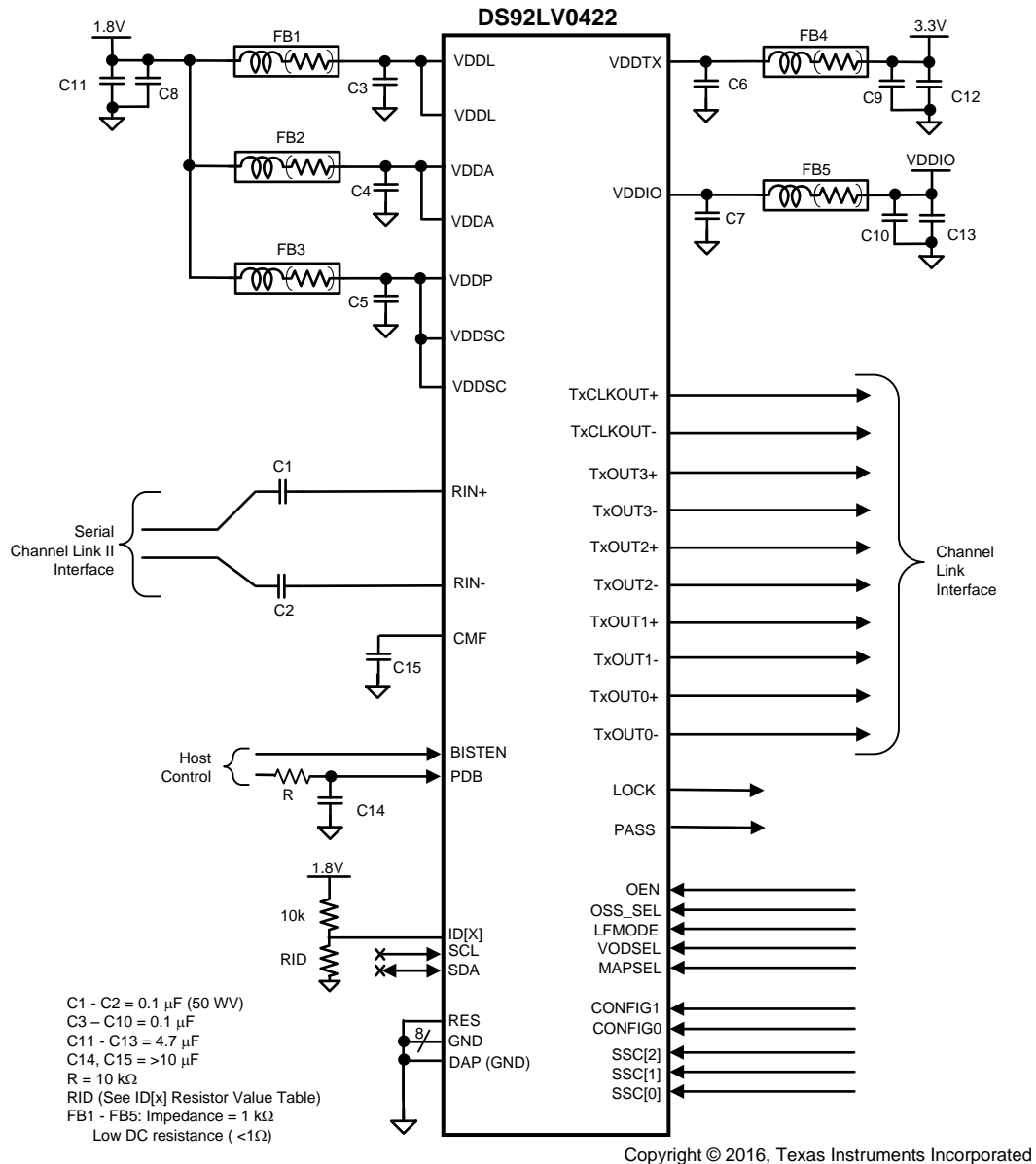


Figure 39. DS92LV0422 Typical Connection Diagram

8.2.2.1 Design Requirements

For this design example, use the parameters listed in [Table 17](#) as the input parameters.

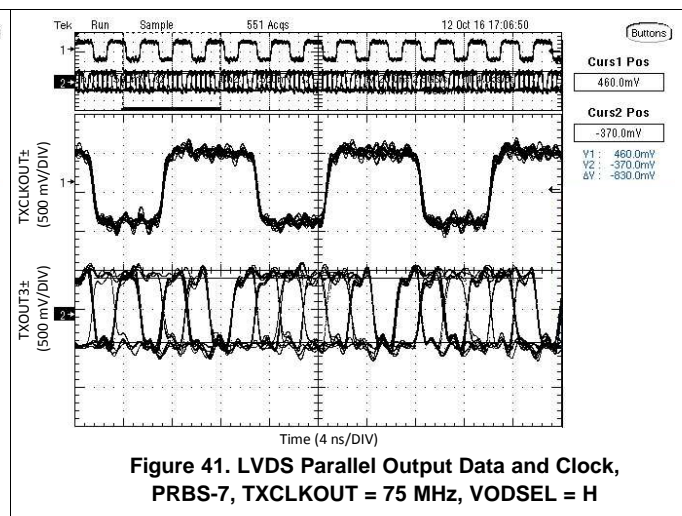
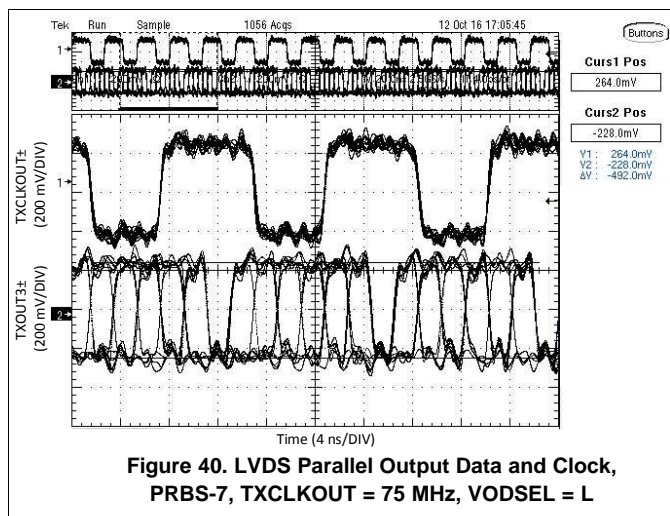
Table 17. Design Parameters

| PARAMETER | VALUE |
|--------------------------------|----------------|
| VDDIO | 1.8 V or 3.3 V |
| VDDL, VDDP, VDDSC, VDDA | 1.8 V |
| VDDTX | 3.3 V |
| AC Coupling Capacitor for RIN± | 100 nF |

8.2.2.2 Detailed Design Procedure

The RIN± inputs require 100-nF, AC-coupling capacitors to the line. The power supply filter capacitors are placed near the power supply pins. A smaller capacitance capacitor must be placed closer to the power supply pins. The device has one configuration pin (EQ) called a strap pin, which is pulled down by default. For a high state, use a 10-kΩ resistor pullup to VDDIO. The PDB and BISTEN pins are assumed to be controlled by a microprocessor. The PDB must remain in a low state until all power supply voltages reach the final voltage. The SCL, SDA, and ID[X] pins can be left open when these serial bus control pins are unused. The RES pin and DAP must be tied to Ground.

8.2.2.3 Application Curves



9 Power Supply Recommendations

The VDD (V_{DDn} and V_{DDIO}) supply ramp must be faster than 1.5 ms with a monotonic rise. If slower than 1.5 ms, a capacitor on the PDB pin is required to ensure PDB arrives after all the VDD supplies have settled to the recommended operating voltage. When the PDB pin is pulled to V_{DDIO}, TI recommends using a 10-kΩ pullup and a 22-μF cap to Ground to delay the PDB input signal.

10 Layout

10.1 Layout Guidelines

Circuit board layout and stack-up for the LVDS serializer and deserializer devices must be designed to provide low-noise power feed to the device. Good layout practice also separates high frequency or high-level inputs and outputs to minimize unwanted stray noise pickup, feedback, and interference. Power system performance may be greatly improved by using thin dielectrics (2 to 4 mils) for power or ground sandwiches. This arrangement provides plane capacitance for the PCB power system with low-inductance parasitics, which has proven especially effective at high frequencies and makes the value and placement of external bypass capacitors less critical. External bypass capacitors must include both RF ceramic and tantalum electrolytic types. RF capacitors may use values in the range of 0.01 μF to 0.1 μF . Tantalum capacitors may be in the 2.2- μF to 10- μF range. Voltage rating of the tantalum capacitors must be at least 5x the power supply voltage being used.

Surface-mount capacitors are recommended due to their smaller parasitics. When using multiple capacitors per supply pin, place the smaller value closer to the pin. A large bulk capacitor is recommended at the point of power entry. This is typically in the 50- μF to 100- μF range and smooths low frequency switching noise. TI recommends connecting power and ground pins directly to the power and ground planes with bypass capacitors connected to the plane, with vias on both ends of the capacitor. Connecting power or ground pins to an external bypass capacitor increases the inductance of the path.

A small body size X7R chip capacitor, such as 0603, is recommended for external bypass. Its small body size reduces the parasitic inductance of the capacitor. The user must pay attention to the resonance frequency of these external bypass capacitors, usually in the range of 20 to 30 MHz. To provide effective bypassing, multiple capacitors are often used to achieve low impedance between the supply rails over the frequency of interest. At high frequency, it is also a common practice to use two vias from power and ground pins to the planes, reducing the impedance at high frequency.

Some devices provide separate power and ground pins for different portions of the circuit. This is done to isolate switching noise effects between different sections of the circuit. Separate planes on the PCB are typically not required. Pin description tables typically provide guidance on which circuit blocks are connected to which power pin pairs. In some cases, an external filter may be used to provide clean power to sensitive circuits such as PLLs.

Use at least a four-layer board with a power and ground plane. Place LVCMOS signals away from the CML lines to prevent coupling from the LVCMOS lines to the CML lines. Closely-coupled differential lines of 100 Ω are typically recommended for LVDS interconnects. The closely coupled lines help to ensure that coupled noise appears as common mode and thus is rejected by the receivers. The tightly coupled lines also radiate less.

10.1.1 WQFN (LLP) Stencil Guidelines

Stencil parameters such as aperture area ratio and the fabrication process have a significant impact on paste deposition. Inspection of the stencil prior to placement of the LLP (WQFN) package is highly recommended to improve board assembly yields. If the via and aperture openings are not carefully monitored, the solder may flow unevenly through the DAP. Stencil parameters for aperture opening and via locations are shown in [Figure 42](#) and [Figure 43](#).

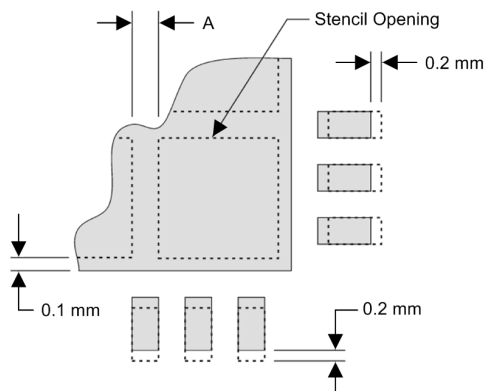


Figure 42. No Pullback LLP, Single Row Reference Diagram

Layout Guidelines (continued)

Table 18. No Pullback LLP Stencil Aperture Summary for DS92LV0421 and DS92LV0422

| DEVICE | PIN COUNT | MKT DWG | PCB I/O PAD SIZE (mm) | PCB PITCH (mm) | PCB DAP SIZE (mm) | STENCIL I/O APERTURE (mm) | STENCIL DAP APERTURE (mm) | NUMBER OF DAP APERTURE OPENINGS | GAP BETWEEN DAP APERTURE (Dim A mm) |
|------------|-----------|---------|-----------------------|----------------|-------------------|---------------------------|---------------------------|---------------------------------|-------------------------------------|
| DS92LV0421 | 36 | SQA36A | 0.25 × 0.6 | 0.5 | 4.6 × 4.6 | 0.25 × 0.7 | 1.0 × 1.0 | 16 | 0.2 |
| DS92LV0422 | 48 | SQA48A | 0.25 × 0.6 | 0.5 | 5.1 × 5.1 | 0.25 × 0.7 | 1.1 × 1.1 | 16 | 0.2 |

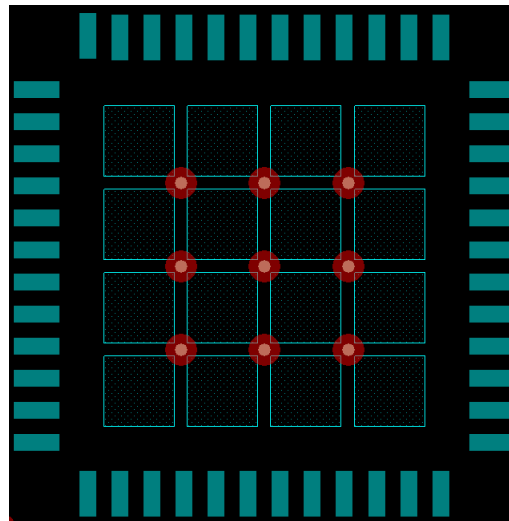


Figure 43. 48-Pin WQFN Stencil Example of Via and Opening Placement

Information on the WQFN style package is provided in [Leadless Leadframe Package \(LLP\) Application Report \(SNOA401\)](#).

10.1.2 Transmission Media

The serializer and deserializer chipset is intended to be used in a point-to-point configuration through a PCB trace or through twisted pair cable. The serializer and deserializer provide internal terminations for a clean signaling environment. The interconnect for LVDS must present a differential impedance of 100 Ω. Use cables and connectors that have matched differential impedance to minimize impedance discontinuities. Shielded or unshielded cables may be used depending upon the noise environment and application requirements.

10.1.3 LVDS Interconnect Guidelines

See [AN-1108 Channel-Link PCB and Interconnect Design-In Guidelines \(SNLA008\)](#) and [AN-905 Transmission Line RAPIDESIGNER Operation and Applications Guide \(SNLA035\)](#) for full details.

- Use 100-Ω coupled differential pairs
- Use the S, 2S, 3S rule in spacings
 - S = space between the pair
 - 2S = space between pairs
 - 3S = space to LVCMOS signal
- Minimize the number of vias
- Use differential connectors when operating above 500-Mbps line speed
- Maintain balance of the traces
- Minimize skew within the pair
- Terminate as close to the Tx outputs and Rx inputs as possible

Additional general guidance can be found in the LVDS Owner's Manual, available in PDF format from the TI website at: www.ti.com/lvds.

10.2 Layout Example

The following PCB layout examples are derived from the layout design of the LV04EVK01 Evaluation Module. These graphics and additional layout description are used to demonstrate both proper routing and proper solder techniques when designing in the serializer and deserializer pair.

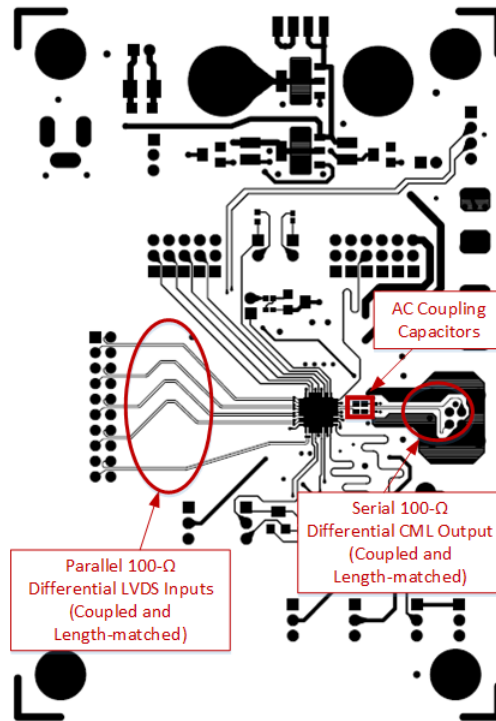


Figure 44. DS92LV0421 Serializer Example Layout

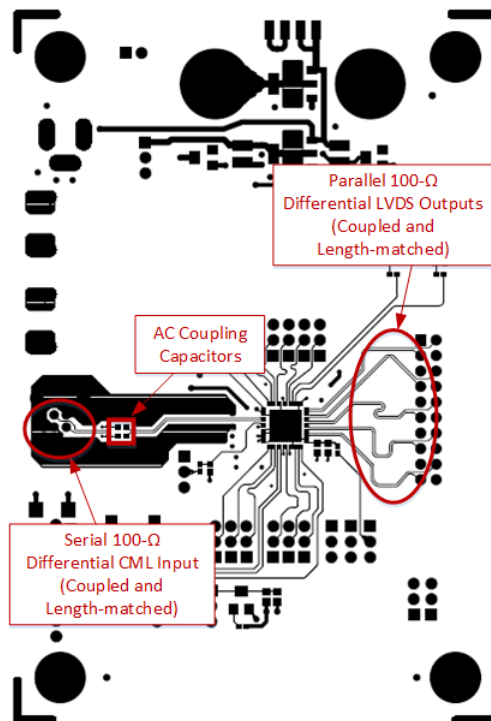


Figure 45. DS92LV0422 Deserializer Example Layout

11 Device and Documentation Support

11.1 Device Support

11.1.1 Third-Party Products Disclaimer

TI'S PUBLICATION OF INFORMATION REGARDING THIRD-PARTY PRODUCTS OR SERVICES DOES NOT CONSTITUTE AN ENDORSEMENT REGARDING THE SUITABILITY OF SUCH PRODUCTS OR SERVICES OR A WARRANTY, REPRESENTATION OR ENDORSEMENT OF SUCH PRODUCTS OR SERVICES, EITHER ALONE OR IN COMBINATION WITH ANY TI PRODUCT OR SERVICE.

11.1.2 Development Support

For developmental support, see the following:

[Overview for LVDS/M-LVDS/ECL/CML](#)

11.2 Documentation Support

11.2.1 Related Documentation

For related documentation see the following:

- [Absolute Maximum Ratings for Soldering](#) (SNOA549)
- [Leadless Leadframe Package \(LLP\) Application Report](#) (SNOA401)
- [AN-1108 Channel-Link PCB and Interconnect Design-In Guidelines](#) (SNLA008)
- [AN-905 Transmission Line RAPIDESIGNER Operation and Applications Guide](#) (SNLA035)

11.3 Related Links

The table below lists quick access links. Categories include technical documents, support and community resources, tools and software, and quick access to sample or buy.

Table 19. Related Links

| PARTS | PRODUCT FOLDER | SAMPLE & BUY | TECHNICAL DOCUMENTS | TOOLS & SOFTWARE | SUPPORT & COMMUNITY |
|------------|----------------------------|----------------------------|----------------------------|----------------------------|----------------------------|
| DS92LV0421 | Click here | Click here | Click here | Click here | Click here |
| DS92LV0422 | Click here | Click here | Click here | Click here | Click here |

11.4 Receiving Notification of Documentation Updates

To receive notification of documentation updates, navigate to the device product folder on ti.com. In the upper right corner, click on *Alert me* to register and receive a weekly digest of any product information that has changed. For change details, review the revision history included in any revised document.

11.5 Community Resources

The following links connect to TI community resources. Linked contents are provided "AS IS" by the respective contributors. They do not constitute TI specifications and do not necessarily reflect TI's views; see TI's [Terms of Use](#).

TI E2E™ Online Community *TI's Engineer-to-Engineer (E2E) Community*. Created to foster collaboration among engineers. At e2e.ti.com, you can ask questions, share knowledge, explore ideas and help solve problems with fellow engineers.

Design Support *TI's Design Support* Quickly find helpful E2E forums along with design support tools and contact information for technical support.

11.6 Trademarks

E2E is a trademark of Texas Instruments.

All other trademarks are the property of their respective owners.

11.7 Electrostatic Discharge Caution



This integrated circuit can be damaged by ESD. Texas Instruments recommends that all integrated circuits be handled with appropriate precautions. Failure to observe proper handling and installation procedures can cause damage.

ESD damage can range from subtle performance degradation to complete device failure. Precision integrated circuits may be more susceptible to damage because very small parametric changes could cause the device not to meet its published specifications.

11.8 Glossary

[SLYZ022](#) — *TI Glossary*.

This glossary lists and explains terms, acronyms, and definitions.

12 Mechanical, Packaging, and Orderable Information

The following pages include mechanical, packaging, and orderable information. This information is the most current data available for the designated devices. This data is subject to change without notice and revision of this document. For browser-based versions of this data sheet, refer to the left-hand navigation.

PACKAGING INFORMATION

| Orderable Device | Status (1) | Package Type | Package Drawing | Pins | Package Qty | Eco Plan (2) | Lead finish/ Ball material (6) | MSL Peak Temp (3) | Op Temp (°C) | Device Marking (4/5) | Samples |
|--------------------|---------------|--------------|-----------------|------|-------------|-----------------|--------------------------------------|----------------------|--------------|-------------------------|-------------------------|
| DS92LV0421SQ/NOPB | ACTIVE | WQFN | NJK | 36 | 1000 | RoHS & Green | SN | Level-3-260C-168 HR | -40 to 85 | LV0421 | Samples |
| DS92LV0421SQE/NOPB | ACTIVE | WQFN | NJK | 36 | 250 | RoHS & Green | SN | Level-3-260C-168 HR | -40 to 85 | LV0421 | Samples |
| DS92LV0421SQX/NOPB | ACTIVE | WQFN | NJK | 36 | 2500 | RoHS & Green | SN | Level-3-260C-168 HR | -40 to 85 | LV0421 | Samples |
| DS92LV0422SQ/NOPB | ACTIVE | WQFN | RHS | 48 | 1000 | RoHS & Green | SN | Level-3-260C-168 HR | -40 to 85 | LV0422 | Samples |
| DS92LV0422SQE/NOPB | ACTIVE | WQFN | RHS | 48 | 250 | RoHS & Green | SN | Level-3-260C-168 HR | -40 to 85 | LV0422 | Samples |
| DS92LV0422SQX/NOPB | ACTIVE | WQFN | RHS | 48 | 2500 | RoHS & Green | SN | Level-3-260C-168 HR | -40 to 85 | LV0422 | Samples |

(1) The marketing status values are defined as follows:

ACTIVE: Product device recommended for new designs.

LIFEBUY: TI has announced that the device will be discontinued, and a lifetime-buy period is in effect.

NRND: Not recommended for new designs. Device is in production to support existing customers, but TI does not recommend using this part in a new design.

PREVIEW: Device has been announced but is not in production. Samples may or may not be available.

OBSOLETE: TI has discontinued the production of the device.

(2) **RoHS:** TI defines "RoHS" to mean semiconductor products that are compliant with the current EU RoHS requirements for all 10 RoHS substances, including the requirement that RoHS substance do not exceed 0.1% by weight in homogeneous materials. Where designed to be soldered at high temperatures, "RoHS" products are suitable for use in specified lead-free processes. TI may reference these types of products as "Pb-Free".

RoHS Exempt: TI defines "RoHS Exempt" to mean products that contain lead but are compliant with EU RoHS pursuant to a specific EU RoHS exemption.

Green: TI defines "Green" to mean the content of Chlorine (Cl) and Bromine (Br) based flame retardants meet JS709B low halogen requirements of <=1000ppm threshold. Antimony trioxide based flame retardants must also meet the <=1000ppm threshold requirement.

(3) MSL, Peak Temp. - The Moisture Sensitivity Level rating according to the JEDEC industry standard classifications, and peak solder temperature.

(4) There may be additional marking, which relates to the logo, the lot trace code information, or the environmental category on the device.

(5) Multiple Device Markings will be inside parentheses. Only one Device Marking contained in parentheses and separated by a "~" will appear on a device. If a line is indented then it is a continuation of the previous line and the two combined represent the entire Device Marking for that device.

(6) Lead finish/Ball material - Orderable Devices may have multiple material finish options. Finish options are separated by a vertical ruled line. Lead finish/Ball material values may wrap to two lines if the finish value exceeds the maximum column width.

Important Information and Disclaimer: The information provided on this page represents TI's knowledge and belief as of the date that it is provided. TI bases its knowledge and belief on information provided by third parties, and makes no representation or warranty as to the accuracy of such information. Efforts are underway to better integrate information from third parties. TI has taken and continues to take reasonable steps to provide representative and accurate information but may not have conducted destructive testing or chemical analysis on incoming materials and chemicals. TI and TI suppliers consider certain information to be proprietary, and thus CAS numbers and other limited information may not be available for release.

In no event shall TI's liability arising out of such information exceed the total purchase price of the TI part(s) at issue in this document sold by TI to Customer on an annual basis.

TAPE AND REEL INFORMATION

QUADRANT ASSIGNMENTS FOR PIN 1 ORIENTATION IN TAPE


*All dimensions are nominal

| Device | Package Type | Package Drawing | Pins | SPQ | Reel Diameter (mm) | Reel Width W1 (mm) | A0 (mm) | B0 (mm) | K0 (mm) | P1 (mm) | W (mm) | Pin1 Quadrant |
|--------------------|--------------|-----------------|------|------|--------------------|--------------------|---------|---------|---------|---------|--------|---------------|
| DS92LV0421SQ/NOPB | WQFN | NJK | 36 | 1000 | 330.0 | 16.4 | 6.3 | 6.3 | 1.5 | 12.0 | 16.0 | Q1 |
| DS92LV0421SQE/NOPB | WQFN | NJK | 36 | 250 | 178.0 | 16.4 | 6.3 | 6.3 | 1.5 | 12.0 | 16.0 | Q1 |
| DS92LV0421SQX/NOPB | WQFN | NJK | 36 | 2500 | 330.0 | 16.4 | 6.3 | 6.3 | 1.5 | 12.0 | 16.0 | Q1 |
| DS92LV0422SQ/NOPB | WQFN | RHS | 48 | 1000 | 330.0 | 16.4 | 7.3 | 7.3 | 1.3 | 12.0 | 16.0 | Q1 |
| DS92LV0422SQE/NOPB | WQFN | RHS | 48 | 250 | 178.0 | 16.4 | 7.3 | 7.3 | 1.3 | 12.0 | 16.0 | Q1 |
| DS92LV0422SQX/NOPB | WQFN | RHS | 48 | 2500 | 330.0 | 16.4 | 7.3 | 7.3 | 1.3 | 12.0 | 16.0 | Q1 |

TAPE AND REEL BOX DIMENSIONS


*All dimensions are nominal

| Device | Package Type | Package Drawing | Pins | SPQ | Length (mm) | Width (mm) | Height (mm) |
|--------------------|--------------|-----------------|------|------|-------------|------------|-------------|
| DS92LV0421SQ/NOPB | WQFN | NJK | 36 | 1000 | 356.0 | 356.0 | 35.0 |
| DS92LV0421SQE/NOPB | WQFN | NJK | 36 | 250 | 208.0 | 191.0 | 35.0 |
| DS92LV0421SQX/NOPB | WQFN | NJK | 36 | 2500 | 356.0 | 356.0 | 35.0 |
| DS92LV0422SQ/NOPB | WQFN | RHS | 48 | 1000 | 356.0 | 356.0 | 35.0 |
| DS92LV0422SQE/NOPB | WQFN | RHS | 48 | 250 | 208.0 | 191.0 | 35.0 |
| DS92LV0422SQX/NOPB | WQFN | RHS | 48 | 2500 | 356.0 | 356.0 | 35.0 |

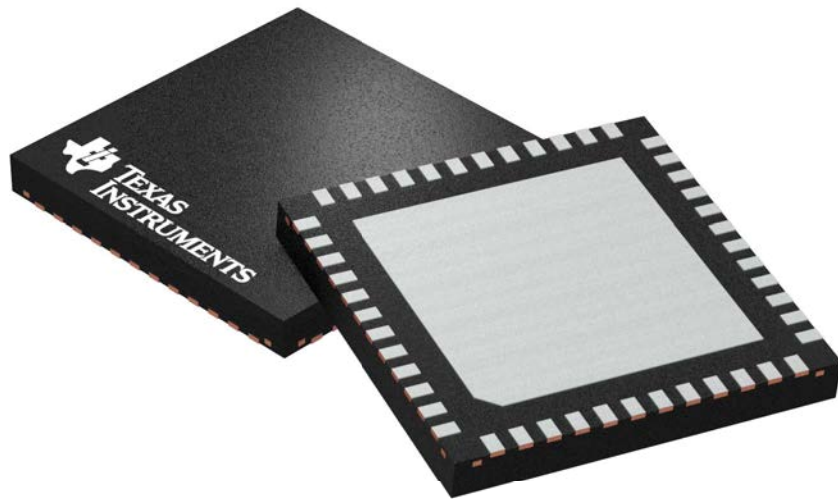
GENERIC PACKAGE VIEW

RHS 48

WQFN - 0.8 mm max height

7 x 7 mm, 0.5 mm pitch

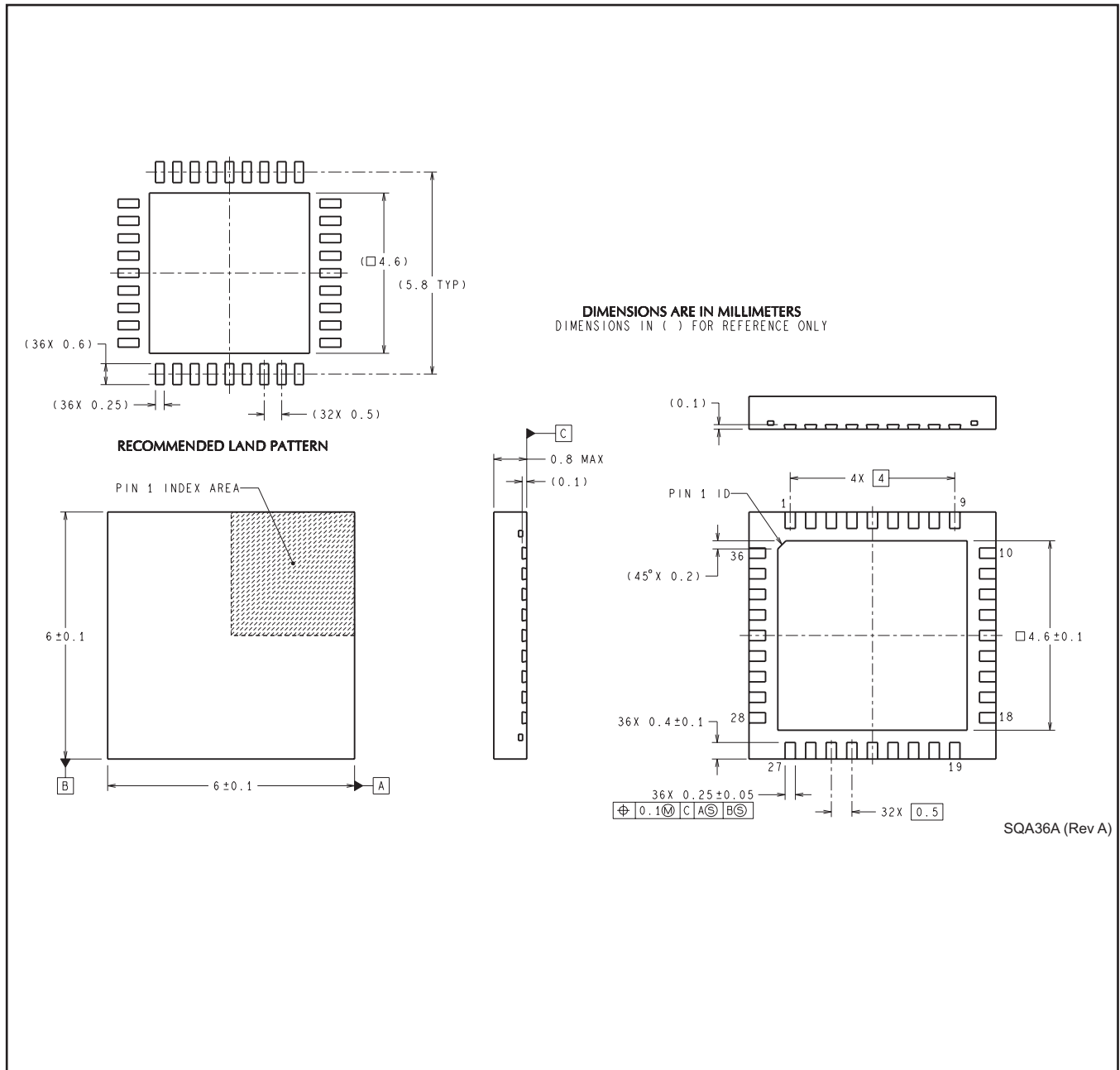
PLASTIC QUAD FLATPACK - NO LEAD



Images above are just a representation of the package family, actual package may vary.
Refer to the product data sheet for package details.

4205855/C

NJK0036A



IMPORTANT NOTICE AND DISCLAIMER

TI PROVIDES TECHNICAL AND RELIABILITY DATA (INCLUDING DATA SHEETS), DESIGN RESOURCES (INCLUDING REFERENCE DESIGNS), APPLICATION OR OTHER DESIGN ADVICE, WEB TOOLS, SAFETY INFORMATION, AND OTHER RESOURCES "AS IS" AND WITH ALL FAULTS, AND DISCLAIMS ALL WARRANTIES, EXPRESS AND IMPLIED, INCLUDING WITHOUT LIMITATION ANY IMPLIED WARRANTIES OF MERCHANTABILITY, FITNESS FOR A PARTICULAR PURPOSE OR NON-INFRINGEMENT OF THIRD PARTY INTELLECTUAL PROPERTY RIGHTS.

These resources are intended for skilled developers designing with TI products. You are solely responsible for (1) selecting the appropriate TI products for your application, (2) designing, validating and testing your application, and (3) ensuring your application meets applicable standards, and any other safety, security, regulatory or other requirements.

These resources are subject to change without notice. TI grants you permission to use these resources only for development of an application that uses the TI products described in the resource. Other reproduction and display of these resources is prohibited. No license is granted to any other TI intellectual property right or to any third party intellectual property right. TI disclaims responsibility for, and you will fully indemnify TI and its representatives against, any claims, damages, costs, losses, and liabilities arising out of your use of these resources.

TI's products are provided subject to [TI's Terms of Sale](#) or other applicable terms available either on [ti.com](https://www.ti.com) or provided in conjunction with such TI products. TI's provision of these resources does not expand or otherwise alter TI's applicable warranties or warranty disclaimers for TI products.

TI objects to and rejects any additional or different terms you may have proposed.

Mailing Address: Texas Instruments, Post Office Box 655303, Dallas, Texas 75265
Copyright © 2023, Texas Instruments Incorporated