

# MSP430FR231x 混合信号微控制器

## 1 器件概述

### 1.1 特性

- 嵌入式微控制器
  - 频率高达 16MHz 的 16 位精简指令集计算机 (RISC) 架构
  - 3.6V 至 1.8V 的宽电源电压范围 (最低电源电压受限于 SVS 电平, 请参阅 [SVS 规格](#))
- 经优化的低功耗模式 (3V 时)
  - 激活模式: 126 $\mu$ A/MHz
  - 待机模式: 实时时钟 (RTC) 计数器 (LPM3.5, 采用 32768Hz 晶振) 0.71 $\mu$ A
  - 关断模式 (LPM4.5): 32nA (无 SVS)
- 高性能模拟
  - 跨阻放大器 (TIA)<sup>(1)</sup>
    - 电流至电压转换
    - 半轨输入
    - 仅针对 TSSOP16 封装, 将低泄漏负输入降至 5pA
    - 轨至轨输出
    - 多个输入信号选项
    - 可配置的高功率和低功率模式
  - 8 通道 10 位模数转换器 (ADC)
    - 1.5V 的内部基准电压
    - 采样与保持 200kps
  - 增强型比较器 (eCOMP)
    - 集成 6 位数模转换器 (DAC) 作为基准电压
    - 可编程迟滞
    - 可配置的高功率和低功率模式
  - 智能模拟组合 (SAC-L1)
    - 支持通用运算放大器
    - 轨至轨输入和输出
    - 多个输入信号选项
    - 可配置的高功率和低功率模式
- 低功耗铁电 RAM (FRAM)
  - 非易失性存储器容量高达 3.75KB
  - 内置错误修正码 (ECC)
  - 可配置的写保护
  - 对程序、常量和存储的统一存储
- 耐写次数达 10<sup>15</sup> 次
- 抗辐射和非磁性
- 智能数字外设
  - 红外调制逻辑
  - 两个 16 位计时器, 每个计时器有 3 个捕捉/比较寄存器 (Timer\_B3)
  - 一个仅用作计数器的 16 位 RTC 计数器
  - 16 位循环冗余校验器 (CRC)
- 增强型串行通信
  - 增强型 USCI A (eUSCI\_A) 支持 UART、IrDA 和 SPI
  - 增强型 USCI B (eUSCI\_B) 支持 SPI 和 I<sup>2</sup>C, 并提供重映射功能 (请参阅 [信号说明](#))
- 时钟系统 (CS)
  - 片上 32kHz RC 振荡器 (REFO)
  - 带有锁频环 (FLL) 的片上 16MHz 数控振荡器 (DCO)
    - 室温下的精度为  $\pm 1\%$  (具有片上基准)
  - 片上超低频 10kHz 振荡器 (VLO)
  - 片上高频调制振荡器 (MODOSC)
  - 外部 32kHz 晶振 (LFXT)
  - 外部高频晶体振荡器, 频率高达 16MHz (HFXT)
  - 可编程 MCLK 预分频器 (1 至 128)
  - 通过可编程预分频器 (1、2、4 或 8) 从 MCLK 获得的 SMCLK
- 通用输入/输出和引脚功能
  - 20 引脚封装有 16 个 I/O
  - 12 个中断引脚 (8 个 P1 引脚和 4 个 P2 引脚) 可将 MCU 从 LPM 唤醒
  - 所有 I/O 均为电容式触控 I/O
- 开发工具和软件
  - LaunchPad™ 开发套件 ([MSP-EXP430FR2311](#))
  - 目标开发板 ([MSP-TS430PW20](#))
- 系列成员 (另请参阅 [器件比较](#))
  - MSP430FR2311: 3.75KB 程序 FRAM 和 1KB RAM
  - MSP430FR2310: 2KB 程序 FRAM 和 1KB RAM

(1) 以前, 跨阻放大器在描述性文字、引脚名称和电阻器名称中的缩写都是 TRI。现在将所有描述性文字中的缩写改成了 TIA, 但引脚名称和电阻器名称仍然使用 TRI。



- 封装选项
  - 20 引脚 TSSOP (PW20)
  - 16 引脚 TSSOP (PW16)
  - 16 引脚 VQFN (RGY16)

## 1.2 应用

- 烟雾探测器
- 移动电源
- 便携式保健和健身设备
- 电源监控
- 个人电子产品

## 1.3 说明

MSP430FR231x FRAM 微控制器 (MCU) 属于 MSP430™ MCU 超值系列检测系列中的一员。这些器件集成了可配置的低泄漏跨阻放大器 (TIA) 和通用运算放大器。MCU 具有功能强大的 16 位 RISC CPU、16 位寄存器和常数发生器，有助于实现最大编码效率。数控振荡器 (DCO) 还可以让器件在不到 10μs 的时间内从低功耗模式唤醒至活动模式。这些 MCU 的功能集非常适合从烟雾探测器到便携式医疗和健身配件等多种应用。

超低功耗的 MSP430FR231x MCU 系列包含多种器件，其中配备了嵌入式非易失性 FRAM 和不同的外设集，适用于各种检测和测量应用中的数字输入 D 类音频放大器。该架构、FRAM 和外设与多种低功耗模式相结合，专为在便携式无线感测应用中延长电池使用寿命而进行了优化中的数字输入 D 类音频放大器。FRAM 是一种非易失性存储器技术，它将 SRAM 的速度、灵活性和耐用性与闪存的稳定性和可靠性相结合，并且总功耗更低。

MSP430FR231x MCU 由一个由各种软、硬件资源组成的生态系统提供支持，并配套提供有参考设计和代码示例，可帮助您快速开展设计。开发套件包括 MSP-EXP430FR2311 LaunchPad™ 开发套件和 MSP-TS430PW20 20 引脚目标开发板。TI 提供免费的 MSP430Ware™ 软件，可作为 Code Composer Studio™ IDE 台式机和云版本（位于 TI Resource Explorer）的组件。MSP430 MCU 还通过 E2E™ 社区论坛提供广泛的在线配套资料、培训和在线支持。

有关完整的模块说明，请参阅《MSP430FR4xx 和 MSP430FR2xx 系列器件用户指南》。

器件信息<sup>(1)</sup>

器件型号	封装	封装尺寸 <sup>(2)</sup>
MSP430FR2311PW20	TSSOP (20)	6.5mm × 4.4mm
MSP430FR2310PW20		
MSP430FR2311PW16	TSSOP (16)	5mm × 4.4mm
MSP430FR2310PW16		
MSP430FR2311IRGY	VQFN (16)	4mm × 3.5mm
MSP430FR2310IRGY		

(1) 要获得最新的产品、封装和订购信息，请参见封装选项附录（节 9），或者访问德州仪器 (TI) 网站 [www.ti.com.cn](http://www.ti.com.cn)。

(2) 这里显示的尺寸为近似值。要获得包含误差值的封装尺寸，请参见机械数据（节 9 中）。

### CAUTION

系统级静电放电 (ESD) 保护必须符合器件级 ESD 规范，以防发生电气过载或对数据或代码存储器造成干扰。有关更多信息，请参阅《MSP430™ 系统级 ESD 注意事项》。

## 1.4 功能框图

图 1-1 所示为功能框图。

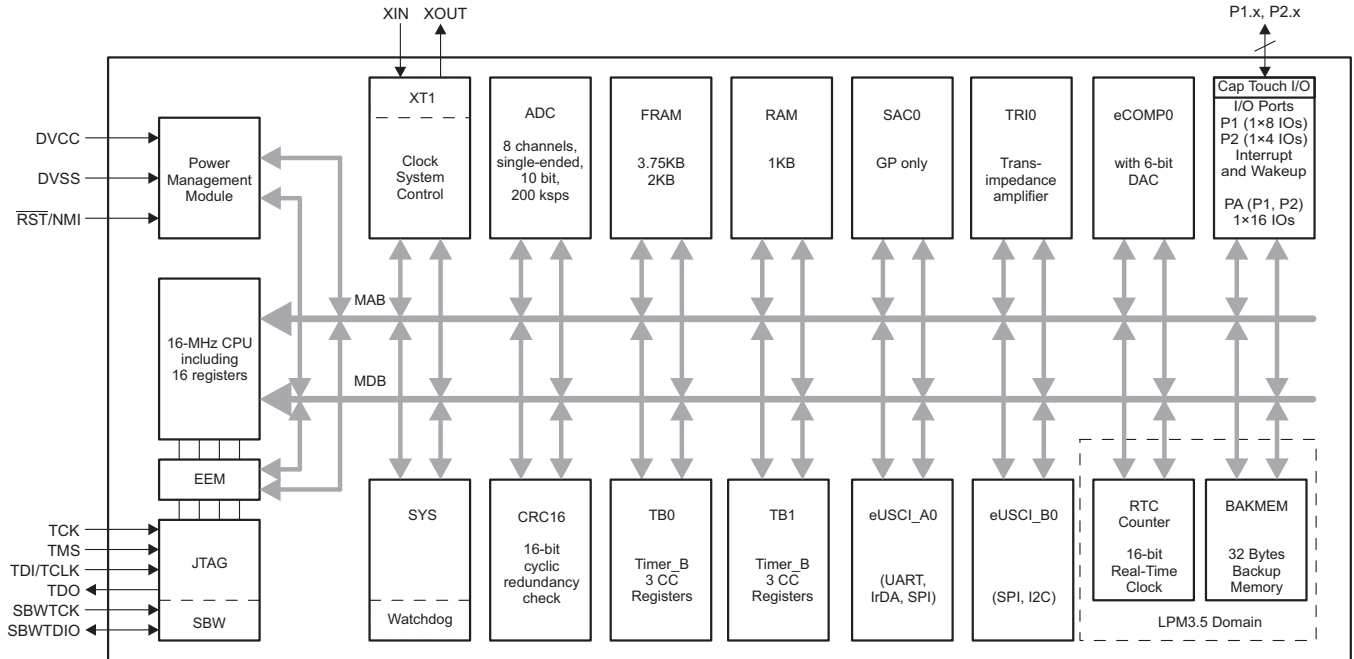


图 1-1. MSP430FR231x 功能方框图

- MCU 的主电源对 DVCC 和 DVSS 分别为数字模块和模拟模块供电。推荐的旁路电容和去耦电容分别为 4.7 $\mu$ F 至 10 $\mu$ F 和 0.1 $\mu$ F，精度为  $\pm 5\%$ 。
- P1 的 8 个引脚和 P2 的 4 个引脚均具备引脚中断功能，可将 MCU 从所有低功耗模式 (LPM) 唤醒（包括 LPM4、LPM3.5 和 LPM4.5）。
- 每个 Timer\_B3 具有三个捕捉/比较寄存器。仅 CCR1 和 CCR2 从外部连接。CCR0 寄存器仅用于内部周期时序和生成中断。
- 在 LPM3.5 模式下，RTC 计数器与备用存储器可继续工作，而其余外设停止工作。
- 所有通用 I/O 均可配置为电容式触控 I/O。

## 内容

<b>1</b>	<b>器件概述</b>	<b><a href="#">1</a></b>	<b>6</b>	<b>Detailed Description</b>	<b><a href="#">44</a></b>
1.1	特性	<a href="#">1</a>	6.1	Overview	<a href="#">44</a>
1.2	应用	<a href="#">2</a>	6.2	CPU	<a href="#">44</a>
1.3	说明	<a href="#">2</a>	6.3	Operating Modes	<a href="#">44</a>
1.4	功能框图	<a href="#">2</a>	6.4	Interrupt Vector Addresses	<a href="#">46</a>
<b>2</b>	<b>修订历史记录</b>	<b><a href="#">5</a></b>	6.5	Memory Organization	<a href="#">47</a>
<b>3</b>	<b>Device Comparison</b>	<b><a href="#">7</a></b>	6.6	Bootloader (BSL)	<a href="#">47</a>
3.1	Related Products	<a href="#">7</a>	6.7	JTAG Standard Interface	<a href="#">48</a>
<b>4</b>	<b>Terminal Configuration and Functions</b>	<b><a href="#">8</a></b>	6.8	Spy-Bi-Wire Interface (SBW)	<a href="#">48</a>
4.1	Pin Diagrams	<a href="#">8</a>	6.9	FRAM	<a href="#">48</a>
4.2	Pin Attributes	<a href="#">10</a>	6.10	Memory Protection	<a href="#">49</a>
4.3	Signal Descriptions	<a href="#">12</a>	6.11	Peripherals	<a href="#">50</a>
4.4	Pin Multiplexing	<a href="#">14</a>	6.12	Input/Output Diagrams	<a href="#">68</a>
4.5	Buffer Type	<a href="#">14</a>	6.13	Device Descriptors (TLV)	<a href="#">72</a>
4.6	Connection of Unused Pins	<a href="#">14</a>	6.14	Identification	<a href="#">73</a>
<b>5</b>	<b>Specifications</b>	<b><a href="#">15</a></b>	<b>7</b>	<b>Applications, Implementation, and Layout</b>	<b><a href="#">74</a></b>
5.1	Absolute Maximum Ratings	<a href="#">15</a>	7.1	Device Connection and Layout Fundamentals	<a href="#">74</a>
5.2	ESD Ratings	<a href="#">15</a>	7.2	Peripheral- and Interface-Specific Design Information	<a href="#">77</a>
5.3	Recommended Operating Conditions	<a href="#">15</a>	7.3	Typical Applications	<a href="#">78</a>
5.4	Active Mode Supply Current Into $V_{CC}$ Excluding External Current	<a href="#">16</a>	<b>8</b>	<b>器件和文档支持</b>	<b><a href="#">79</a></b>
5.5	Active Mode Supply Current Per MHz	<a href="#">16</a>	8.1	使用入门	<a href="#">79</a>
5.6	Low-Power Mode LPM0 Supply Currents Into $V_{CC}$ Excluding External Current	<a href="#">16</a>	8.2	器件命名规则	<a href="#">79</a>
5.7	Low-Power Mode LPM3 and LPM4 Supply Currents (Into $V_{CC}$ ) Excluding External Current	<a href="#">17</a>	8.3	工具和软件	<a href="#">80</a>
5.8	Low-Power Mode LPMx.5 Supply Currents (Into $V_{CC}$ ) Excluding External Current	<a href="#">18</a>	8.4	文档支持	<a href="#">82</a>
5.9	Production Distribution of LPM Supply Currents	<a href="#">19</a>	8.5	相关链接	<a href="#">83</a>
5.10	Typical Characteristics – Current Consumption Per Module	<a href="#">20</a>	8.6	社区资源	<a href="#">83</a>
5.11	Thermal Resistance Characteristics	<a href="#">20</a>	8.7	商标	<a href="#">83</a>
5.12	Timing and Switching Characteristics	<a href="#">21</a>	8.8	静电放电警告	<a href="#">83</a>
			8.9	Glossary	<a href="#">83</a>
			<b>9</b>	<b>机械、封装和可订购信息</b>	<b><a href="#">84</a></b>

## 2 修订历史记录

注：之前版本的页码可能与当前版本有所不同。

从修订版本 D 更改为修订版本 E

Changes from August 29, 2018 to December 9, 2019	Page
• Updated <a href="#">Section 3.1, Related Products</a> .....	<a href="#">7</a>
• Changed the note that begins "Supply voltage changes faster than 0.2 V/μs can trigger a BOR reset..." in <a href="#">Section 5.3, Recommended Operating Conditions</a> .....	<a href="#">15</a>
• Added the note that begins "TI recommends that power to the DVCC pin must not exceed the limits..." in <a href="#">Section 5.3, Recommended Operating Conditions</a> .....	<a href="#">15</a>
• Changed the note that begins "A capacitor tolerance of ±20% or better is required..." in <a href="#">Section 5.3, Recommended Operating Conditions</a> .....	<a href="#">15</a>
• Combined former sections 5.8 and 5.10 to <a href="#">Section 5.9, Production Distribution of LPM Supply Currents</a> .....	<a href="#">19</a>
• Corrected "SVS Enabled" test condition on <a href="#">Figure 5-2, LPM3.5 Supply Current vs Temperature</a> .....	<a href="#">19</a>
• Added the note "See <a href="#">MSP430 32-kHz Crystal Oscillators</a> for details on crystal section, layout, and testing" to <a href="#">Table 5-3, XT1 Crystal Oscillator (Low Frequency)</a> .....	<a href="#">23</a>
• Changed the note that begins "Requires external capacitors at both terminals..." in <a href="#">Table 5-3, XT1 Crystal Oscillator (Low Frequency)</a> .....	<a href="#">23</a>
• Added the $t_{TB,cap}$ parameter in <a href="#">Table 5-13, Timer_B</a> .....	<a href="#">30</a>
• Changed the parameter symbol from $R_i$ to $R_{i,MUX}$ in <a href="#">Table 5-20, ADC, Power Supply and Input Range Conditions</a> ..	<a href="#">36</a>
• Corrected the test conditions for the $R_{i,MUX}$ parameter in <a href="#">Table 5-20, ADC, Power Supply and Input Range Conditions</a> .....	<a href="#">36</a>
• Added $R_{i,Misc}$ TYP value of 34 kΩ in <a href="#">Table 5-20, ADC, Power Supply and Input Range Conditions</a> .....	<a href="#">36</a>
• Added formula for $R_i$ in <a href="#">Table 5-21, ADC, 10-Bit Timing Parameters</a> .....	<a href="#">36</a>
• Added the note that begins " $t_{Sample} = \ln(2^{n+1}) \times \tau$ ..." in <a href="#">Table 5-21, ADC, 10-Bit Timing Parameters</a> .....	<a href="#">36</a>
• Corrected bitfield from RTCCLK to RTCKSEL in <a href="#">Table 6-8, Clock Distribution</a> .....	<a href="#">51</a>
• Corrected bitfield from IRDSEL to IRDSSEL in <a href="#">Section 6.11.8, Timers (Timer0_B3, Timer1_B3)</a> , in the description that starts "The interconnection of Timer0_B3 and ..." .....	<a href="#">54</a>
• Added P1SEL information in <a href="#">Table 6-31, Port P1, P2 Registers (Base Address: 0200h)</a> .....	<a href="#">65</a>
• Added P2SEL information in <a href="#">Table 6-31, Port P1, P2 Registers (Base Address: 0200h)</a> .....	<a href="#">65</a>
• Added note to "ADC calibration" in <a href="#">Table 6-46, Device Descriptors</a> .....	<a href="#">72</a>

从修订版本 C 更改为修订版本 D

Changes from September 12, 2017 to August 28, 2018	Page
• Updated <a href="#">Section 3.1, Related Products</a> .....	<a href="#">7</a>
• Combined former sections 5.8 and 5.10 to <a href="#">Section 5.9, Production Distribution of LPM Supply Currents</a> .....	<a href="#">19</a>
• Added note to $V_{SVSH-}$ and $V_{SVSH+}$ parameters in <a href="#">Table 5-1, PMM, SVS and BOR</a> .....	<a href="#">21</a>
• Added the $t_{TB,cap}$ parameter in <a href="#">Table 5-13, Timer_B</a> .....	<a href="#">30</a>
• Corrected ADCINCHx column heading in <a href="#">Table 6-16, ADC Channel Connections</a> .....	<a href="#">58</a>
• 更新了 <a href="#">节 8.2 器件命名规则</a> 中的文本和图 .....	<a href="#">79</a>

从修订版本 B 更改为修订版本 C

Changes from June 1, 2016 to September 11, 2017	Page
• 更正了“关断模式 (LPM4.5)”特性列表项中的电流 .....	<a href="#">1</a>
• 根据测试数据，低泄漏输入从 50pA 降为 5pA .....	<a href="#">1</a>
• Added <a href="#">Section 3.1, Related Products</a> .....	<a href="#">7</a>
• Combined former sections 5.8 and 5.10 to <a href="#">Section 5.9, Production Distribution of LPM Supply Currents</a> .....	<a href="#">19</a>
• Added the $t_{TB,cap}$ parameter in <a href="#">Table 5-13, Timer_B</a> .....	<a href="#">30</a>
• Removed ADCDIV from the formula for the TYP value in the second row of the $t_{CONVERT}$ parameter in <a href="#">Table 5-21, ADC, 10-Bit Timing Parameters</a> (removed because ADCCLK is after division).....	<a href="#">36</a>
• Changed the entries for eUSCI_A0 and eUSCI_B0 in the LPM3 column from Off to Optional in <a href="#">Table 6-1,</a>	

<i>Operating Modes</i> .....	<a href="#">45</a>
• Added the sentence that begins "This device supports blank device detection..." in <a href="#">Section 6.6, Bootloader (BSL)</a> ..	<a href="#">47</a>
• Added the note "Controlled by the RTCCLK bit in the SYSCFG2 register" on <a href="#">Table 6-8, Clock Distribution</a> .....	<a href="#">51</a>
• Added <a href="#">Figure 6-1, Clock Distribution Block Diagram</a> .....	<a href="#">51</a>
• Added <a href="#">Figure 6-2, Timer_B Connections</a> .....	<a href="#">55</a>
• Removed SYSBERRIV register (not supported) in <a href="#">Table 6-26, SYS Registers</a> .....	<a href="#">64</a>
• Changed from "If the $\overline{\text{RST}}/\text{NMI}$ pin is unused...with a 2.2-nF pulldown capacitor" to "If the $\overline{\text{RST}}/\text{NMI}$ pin is unused...with a 10-nF pulldown capacitor" .....	<a href="#">76</a>

从修订版本 A 更改为修订版本 B

#### Changes from March 30, 2016 to May 31, 2016

Page

• 将器件状态从“产品预发布”更改为“生产数据” .....	<a href="#">1</a>
• Changed the value of $f_{\text{XT1}}$ in the table note that starts "Low-power mode 4, VLO,..." .....	<a href="#">17</a>
• Combined former sections 5.8 and 5.10 to <a href="#">Section 5.9, Production Distribution of LPM Supply Currents</a> .....	<a href="#">19</a>
• Added Test Conditions to module Timer_B in <a href="#">Section 5.10, Typical Characteristics – Current Consumption Per Module</a> .....	<a href="#">20</a>
• Added "16 MHz" to the parameter description of $t_{\text{FLL, lock}}$ in <a href="#">Table 5-5, DCO FLL</a> .....	<a href="#">25</a>
• Added the $t_{\text{TB, cap}}$ parameter in <a href="#">Table 5-13, Timer_B</a> .....	<a href="#">30</a>
• Removed $\pm 3^\circ\text{C}$ from calibration temperatures in the table note that starts "The device descriptor structure contains calibration values..." .....	<a href="#">37</a>
• Changed the unit on the $E_{\text{NI}}$ parameter in <a href="#">Table 5-24, SAC0 (SAC-L1, OA)</a> .....	<a href="#">39</a>
• Changed the unit on the $E_{\text{NI}}$ parameter in <a href="#">Table 5-25, TIA0</a> .....	<a href="#">40</a>

从初始发行版更改为修订版本 A

#### Changes from February 23, 2016 to March 29, 2016

Page

• 已将整篇文档中 TIA 模块的名称由“TRIO”更改为“TIA0” .....	<a href="#">2</a>
• Changed TYP values for the $I_{\text{AM, FRAM}}(0\%)$ parameter in <a href="#">Section 5.4, Active Mode Supply Current Into <math>V_{\text{CC}}</math> Excluding External Current</a> .....	<a href="#">16</a>
• Combined former sections 5.8 and 5.10 to <a href="#">Section 5.9, Production Distribution of LPM Supply Currents</a> .....	<a href="#">19</a>
• Added the $t_{\text{TB, cap}}$ parameter in <a href="#">Table 5-13, Timer_B</a> .....	<a href="#">30</a>
• Changed MAX values of the $t_{\text{VALID, SO}}$ parameter in <a href="#">Table 5-18, eUSCI (SPI Slave Mode) Switching Characteristics</a> .....	<a href="#">33</a>
• Changed the TYP value of the CMRR parameter with Test Conditions of "TRIPM = 0" from 70 dB to 80 dB in <a href="#">Table 5-25, TIA0</a> .....	<a href="#">40</a>
• Changed the TYP value of the PSRR parameter with Test Conditions of "TRIPM = 0" from 70 dB to 80 dB in <a href="#">Table 5-25, TIA0</a> .....	<a href="#">40</a>
• 已将旧版中的开发工具支持部分替换为 <a href="#">节 8.3, 工具和软件</a> .....	<a href="#">80</a>

### 3 Device Comparison

Table 3-1 summarizes the features of the available family members.

**Table 3-1. Device Comparison<sup>(1)</sup> (2)**

DEVICE	PROGRAM FRAM (KB)	SRAM (Bytes)	TB0, TB1	eUSCI_A	eUSCI_B	10-BIT ADC CHANNELS	SAC0 (OA)	TIA0	eCOMP0	I/O	PACKAGE
MSP430FR2311IPW20	3.75	1024	3 CCR <sup>(3)</sup>	1	1	8	1	1	1	16	20 PW (TSSOP)
MSP430FR2310IPW20	2	1024	3 CCR <sup>(3)</sup>	1	1	8	1	1	1	16	20 PW (TSSOP)
MSP430FR2311IPW16	3.75	1024	3 CCR <sup>(3)(4)</sup>	1	1	8	1	1	1	11	16 PW (TSSOP)
MSP430FR2310IPW16	2	1024	3 CCR <sup>(3)(4)</sup>	1	1	8	1	1	1	11	16 PW (TSSOP)
MSP430FR2311IRGY	3.75	1024	3 CCR <sup>(3)</sup>	1	1	8	1	1	1	12	16 RGY (VQFN)
MSP430FR2310IRGY	2	1024	3 CCR <sup>(3)</sup>	1	1	8	1	1	1	12	16 RGY (VQFN)

- (1) For the most current device, package, and ordering information, see the *Package Option Addendum* in [§ 9](#), or see the TI website at [www.ti.com](http://www.ti.com).
- (2) Package drawings, standard packing quantities, thermal data, symbolization, and PCB design guidelines are available at [www.ti.com/packaging](http://www.ti.com/packaging).
- (3) A CCR register is a configurable register that provides internal and external capture or compare inputs, or internal and external PWM outputs.
- (4) TB1 provides only one external connection (TB1.1) on this package.

#### 3.1 Related Products

For information about other devices in this family of products or related products, see the following links.

##### [TI 16-bit and 32-bit microcontrollers](#)

High-performance, low-power solutions to enable the autonomous future

##### [Products for MSP430 ultra-low-power sensing & measurement MCUs](#)

One platform. One ecosystem. Endless possibilities.

##### [Companion products for MSP430FR2311](#)

Review products that are frequently purchased or used with this product.

##### [Reference designs for MSP430FR2311](#)

Find reference designs leveraging the best in TI technology – from analog and power management to embedded processors

## 4 Terminal Configuration and Functions

### 4.1 Pin Diagrams

Figure 4-1 shows the pinout of the 20-pin PW package.

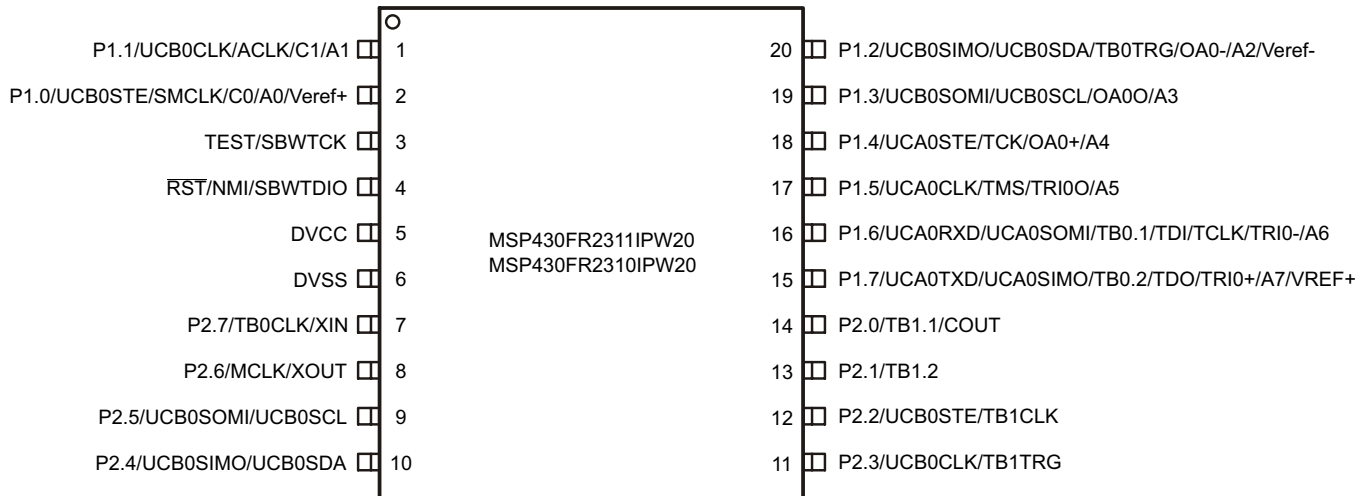


Figure 4-1. 20-Pin PW (TSSOP) (Top View)

Figure 4-2 shows the pinout of the 16-pin PW package.

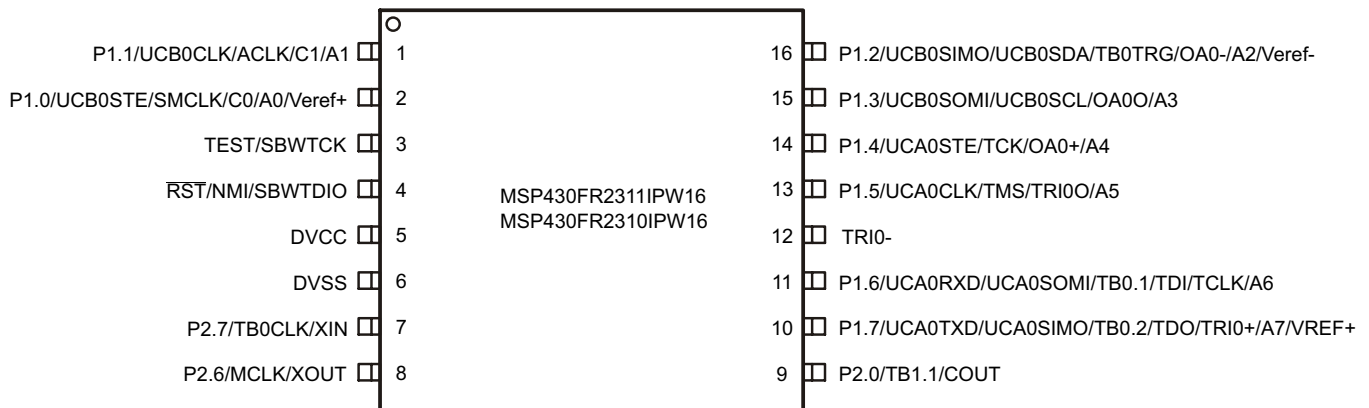


Figure 4-2. 16-Pin PW (TSSOP) (Top View)





## 4.2 Pin Attributes

Table 4-1 lists the attributes of all pins.

**Table 4-1. Pin Attributes**

PIN NUMBER			SIGNAL NAME <sup>(1) (2)</sup>	SIGNAL TYPE <sup>(3)</sup>	BUFFER TYPE <sup>(4)</sup>	POWER SOURCE	RESET STATE AFTER BOR <sup>(5)</sup>
PW20	RGY	PW16					
1	1	1	P1.1 (RD)	I/O	LVC MOS	DVCC	OFF
			UCB0CLK	I/O	LVC MOS	DVCC	N/A
			ACLK	O	LVC MOS	DVCC	N/A
			C1	I	Analog	DVCC	N/A
			A1	I	Analog	DVCC	N/A
2	2	2	P1.0 (RD)	I/O	LVC MOS	DVCC	OFF
			UCB0STE	I/O	LVC MOS	DVCC	N/A
			SMCLK	O	LVC MOS	DVCC	N/A
			C0	I	Analog	DVCC	N/A
			A0	I	Analog	DVCC	N/A
			Veref+	I	Power	DVCC	N/A
3	3	3	TEST (RD)	I	LVC MOS	DVCC	OFF
			SBWTCK	I	LVC MOS	DVCC	N/A
4	4	4	$\overline{\text{RST}}$ (RD)	I/O	LVC MOS	DVCC	OFF
			NMI	I	LVC MOS	DVCC	N/A
			SBWTDIO	I/O	LVC MOS	DVCC	N/A
5	5	5	DVCC	P	Power	DVCC	N/A
6	6	6	DVSS	P	Power	DVCC	N/A
7	7	7	P2.7 (RD)	I/O	LVC MOS	DVCC	OFF
			TB0CLK	I	LVC MOS	DVCC	N/A
			XIN	I	LVC MOS	DVCC	N/A
8	8	8	P2.6 (RD)	I/O	LVC MOS	DVCC	OFF
			MCLK	O	LVC MOS	DVCC	N/A
			XOUT	O	LVC MOS	DVCC	N/A
9	–	–	P2.5 (RD)	I/O	LVC MOS	DVCC	OFF
			UCB0SOMI	I/O	LVC MOS	DVCC	N/A
			UCB0SCL	I/O	LVC MOS	DVCC	N/A
10	–	–	P2.4 (RD)	I/O	LVC MOS	DVCC	OFF
			UCB0SIMO	I/O	LVC MOS	DVCC	N/A
			UCB0SDA	I/O	LVC MOS	DVCC	N/A
11	–	–	P2.3 (RD)	I/O	LVC MOS	DVCC	OFF
			UCB0CLK	I/O	LVC MOS	DVCC	N/A
			TB1TRG	I	LVC MOS	DVCC	N/A
12	–	–	P2.2 (RD)	I/O	LVC MOS	DVCC	OFF
			UCB0STE	I/O	LVC MOS	DVCC	N/A
			TB1CLK	I	LVC MOS	DVCC	N/A
13	9	–	P2.1 (RD)	I/O	LVC MOS	DVCC	OFF
			TB1.2	I/O	LVC MOS	DVCC	N/A

(1) Signals names with (RD) denote the reset default pin name.

(2) To determine the pin mux encodings for each pin, see [Section 6.12, Input/Output Diagrams](#).

(3) Signal Types: I = Input, O = Output, I/O = Input or Output.

(4) Buffer Types: LVC MOS, Analog, or Power

(5) Reset States:

OFF = High-impedance input with pullup or pulldown disabled (if available)

N/A = Not applicable

**Table 4-1. Pin Attributes (continued)**

PIN NUMBER			SIGNAL NAME <sup>(1) (2)</sup>	SIGNAL TYPE <sup>(3)</sup>	BUFFER TYPE <sup>(4)</sup>	POWER SOURCE	RESET STATE AFTER BOR <sup>(5)</sup>
PW20	RGY	PW16					
14	10	9	P2.0 (RD)	I/O	LVC MOS	DVCC	OFF
			TB1.1	I/O	LVC MOS	DVCC	N/A
			CO UT	O	LVC MOS	DVCC	N/A
15	11	10	P1.7 (RD)	I/O	LVC MOS	DVCC	OFF
			UCA0TXD	O	LVC MOS	DVCC	N/A
			UCA0SIMO	I/O	LVC MOS	DVCC	N/A
			TB0.2	I/O	LVC MOS	DVCC	N/A
			TDO	O	LVC MOS	DVCC	N/A
			TRI0+	I	Analog	DVCC	N/A
			A7	I	Analog	DVCC	N/A
			VREF+	O	Power	DVCC	N/A
16	12	11	P1.6 (RD)	I/O	LVC MOS	DVCC	OFF
			UCA0RXD	I	LVC MOS	DVCC	N/A
			UCA0SOMI	I/O	LVC MOS	DVCC	N/A
			TB0.1	I/O	LVC MOS	DVCC	N/A
			TDI	I	LVC MOS	DVCC	N/A
			TCLK	I	LVC MOS	DVCC	N/A
			TRI0- <sup>(6)</sup>	I	Analog	DVCC	N/A
			A6	I	Analog	DVCC	N/A
–	–	12	TRI0-	I	Analog	DVCC	N/A
17	13	13	P1.5 (RD)	I/O	LVC MOS	DVCC	OFF
			UCA0CLK	I/O	LVC MOS	DVCC	N/A
			TMS	I	LVC MOS	DVCC	N/A
			TRI0O	O	Analog	DVCC	N/A
			A5	I	Analog	DVCC	N/A
18	14	14	P1.4 (RD)	I/O	LVC MOS	DVCC	OFF
			UCA0STE	I/O	LVC MOS	DVCC	N/A
			TCK	I	LVC MOS	DVCC	N/A
			OA0+	I	Analog	DVCC	N/A
			A4	I	Analog	DVCC	N/A
19	15	15	P1.3 (RD)	I/O	LVC MOS	DVCC	OFF
			UCB0SOMI	I/O	LVC MOS	DVCC	N/A
			UCB0SCL	I/O	LVC MOS	DVCC	N/A
			OA0O	O	Analog	DVCC	N/A
			A3	I	Analog	DVCC	N/A
20	16	16	P1.2 (RD)	I/O	LVC MOS	DVCC	OFF
			UCB0SIMO	I/O	LVC MOS	DVCC	N/A
			UCB0SDA	I/O	LVC MOS	DVCC	N/A
			TB0TRG	I	LVC MOS	DVCC	N/A
			OA0-	I	Analog	DVCC	N/A
			A2	I	Analog	DVCC	N/A
			Veref-	I	Power	DVCC	N/A

(6) Not available on TSSOP-16 package

### 4.3 Signal Descriptions

Table 4-2 describes the signals for all device variants and package options.

**Table 4-2. Signal Descriptions**

FUNCTION	SIGNAL NAME	PIN NUMBER			PIN TYPE	DESCRIPTION
		PW20	RGY	PW16		
ADC	A0	2	2	2	I	Analog input A0
	A1	1	1	1	I	Analog input A1
	A2	20	16	16	I	Analog input A2
	A3	19	15	15	I	Analog input A3
	A4	18	14	14	I	Analog input A4
	A5	17	13	13	I	Analog input A5
	A6	16	12	11	I	Analog input A6
	A7	15	11	10	I	Analog input A7
	Veref+	2	2	2	I	ADC positive reference
Veref-	20	16	16	I	ADC negative reference	
eCOMP0	C0	2	2	2	I	Comparator input channel C0
	C1	1	1	1	I	Comparator input channel C1
	COUT	14	10	9	O	Comparator output channel COUT
TIA0	TRIO+	15	11	10	I	TIA0 positive input
	TRIO-	16	12	12	I	TIA0 negative input
	TRIOO	17	13	13	O	TIA0 output
SAC0	OA0+	18	14	14	I	SAC0, OA positive input
	OA0-	20	16	16	I	SAC0, OA negative input
	OA0O	19	15	15	O	SAC0, OA output
Clock	ACLK	1	1	1	O	ACLK output
	MCLK	8	8	8	O	MCLK output
	SMCLK	2	2	2	O	SMCLK output
	XIN	7	7	7	I	Input terminal for crystal oscillator
	XOUT	8	8	8	O	Output terminal for crystal oscillator
Debug	SBWTCK	3	3	3	I	Spy-Bi-Wire input clock
	SBWTDIO	4	4	4	I/O	Spy-Bi-Wire data input/output
	TCK	18	14	14	I	Test clock
	TCLK	16	12	11	I	Test clock input
	TDI	16	12	11	I	Test data input
	TDO	15	11	10	O	Test data output
	TMS	17	13	13	I	Test mode select
System	TEST	3	3	3	I	Test Mode pin – selected digital I/O on JTAG pins
	NMI	4	4	4	I	Nonmaskable interrupt input
Power	$\overline{\text{RST}}$	4	4	4	I/O	Reset input, active-low
	DVCC	5	5	5	P	Power supply
	DVSS	6	6	6	P	Power ground
	VREF+	15	11	10	P	Output of positive reference voltage with ground as reference

**Table 4-2. Signal Descriptions (continued)**

FUNCTION	SIGNAL NAME	PIN NUMBER			PIN TYPE	DESCRIPTION
		PW20	RGY	PW16		
GPIO	P1.1	1	1	1	I/O	General-purpose I/O
	P1.2	20	16	16	I/O	General-purpose I/O
	P1.3	19	12	15	I/O	General-purpose I/O
	P1.4	18	14	14	I/O	General-purpose I/O <sup>(1)</sup>
	P1.5	17	13	13	I/O	General-purpose I/O <sup>(1)</sup>
	P1.6	16	12	11	I/O	General-purpose I/O <sup>(1)</sup>
	P1.7	15	11	10	I/O	General-purpose I/O <sup>(1)</sup>
	P2.0	14	10	9	I/O	General-purpose I/O
	P2.1	13	9	–	I/O	General-purpose I/O
	P2.2	12	–	–	I/O	General-purpose I/O
	P2.3	11	–	–	I/O	General-purpose I/O
	P2.4	10	–	–	I/O	General-purpose I/O
	P2.5	9	–	–	I/O	General-purpose I/O
	P2.6	8	8	8	I/O	General-purpose I/O
	P2.7	7	7	7	I/O	General-purpose I/O
I2C	UCB0SCL	19	15	15	I/O	eUSCI_B0 I <sup>2</sup> C clock
	UCB0SDA	20	16	16	I/O	eUSCI_B0 I <sup>2</sup> C data
	UCB0SCL <sup>(2)</sup>	9	–	–	I/O	eUSCI_B0 I <sup>2</sup> C clock
	UCB0SDA <sup>(2)</sup>	10	–	–	I/O	eUSCI_B0 I <sup>2</sup> C data
SPI	UCA0STE	18	14	14	I/O	eUSCI_A0 SPI slave transmit enable
	UCA0CLK	17	13	13	I/O	eUSCI_A0 SPI clock input/output
	UCA0SOMI	16	12	11	I/O	eUSCI_A0 SPI slave out/master in
	UCA0SIMO	15	11	10	I/O	eUSCI_A0 SPI slave in/master out
	UCB0STE	2	2	2	I/O	eUSCI_B0 slave transmit enable
	UCB0CLK	1	1	1	I/O	eUSCI_B0 clock input/output
	UCB0SIMO	20	16	16	I/O	eUSCI_B0 SPI slave in/master out
	UCB0SOMI	19	15	15	I/O	eUSCI_B0 SPI slave out/master in
	UCB0STE <sup>(2)</sup>	12	–	–	I/O	eUSCI_B0 slave transmit enable
	UCB0CLK <sup>(2)</sup>	11	–	–	I/O	eUSCI_B0 clock input/output
UART	UCA0RXD	16	12	11	I	eUSCI_A0 UART receive data
	UCA0TXD	15	11	10	O	eUSCI_A0 UART transmit data
Timer_B	TB0.1	16	12	11	I/O	Timer TB0 CCR1 capture: CCI1A input, compare: Out1 outputs
	TB0.2	15	11	10	I/O	Timer TB0 CCR2 capture: CCI2A input, compare: Out2 outputs
	TB0CLK	7	7	7	I	Timer clock input TBCLK for TB0
	TB0TRG	20	16	16	I	TB0 external trigger input for TB0OUTH
	TB1.1	14	10	9	I/O	Timer TB1 CCR1 capture: CCI1A input, compare: Out1 outputs
	TB1.2	13	9	–	I/O	Timer TB1 CCR2 capture: CCI2A input, compare: Out2 outputs
	TB1CLK	12	–	–	I	Timer clock input TBCLK for TB1
	TB1TRG	11	–	–	I	TB1 external trigger input for TB1OUTH

(1) Because this pin is multiplexed with the JTAG function, TI recommends disabling the pin interrupt function while in JTAG debug to prevent collisions.

(2) This is the remapped functionality controlled by the USCIBRMP bit of the SYSCFG2 register. Only one selected port is valid at any time.

**Table 4-2. Signal Descriptions (continued)**

FUNCTION	SIGNAL NAME	PIN NUMBER			PIN TYPE	DESCRIPTION
		PW20	RGY	PW16		
VQFN Pad	VQFN Thermal pad	–	Pad	–		VQFN package exposed thermal pad. TI recommends connection to V <sub>SS</sub> .

**NOTE**

Functions shared with the four JTAG pins cannot be debugged if 4-wire JTAG is used for debug.

**4.4 Pin Multiplexing**

Pin multiplexing for these devices is controlled by both register settings and operating modes (for example, if the device is in test mode). For details of the settings for each pin and schematics of the multiplexed ports, see [Section 6.12](#).

**4.5 Buffer Type**

[Table 4-3](#) defines the pin buffer types that are listed in [Table 4-1](#).

**Table 4-3. Buffer Type**

BUFFER TYPE (STANDARD)	NOMINAL VOLTAGE	HYSTERESIS	PU OR PD	NOMINAL PU OR PD STRENGTH (μA)	OUTPUT DRIVE STRENGTH (mA)	OTHER CHARACTERISTICS
LVC MOS	3.0 V	Y <sup>(1)</sup>	Programmable	See <a href="#">Section 5.12.4</a>	See <a href="#">Section 5.12.4.1</a>	
Analog	3.0 V	N	N	N/A	N/A	See analog modules in <a href="#">Section 5</a> for details.
Power (DVCC)	3.0 V	N	N	N/A	N/A	SVS enables hysteresis on DVCC.
Power (AVCC)	3.0 V	N	N	N/A	N/A	

(1) Only for input pins.

**4.6 Connection of Unused Pins**

[Table 4-4](#) shows the correct termination of unused pins.

**Table 4-4. Connection of Unused Pins<sup>(1)</sup>**

PIN	POTENTIAL	COMMENT
Px.0 to Px.7	Open	Set to port function, output direction (PxDIR.n = 1)
RST/NMI	DVCC	47-kΩ pullup or internal pullup selected with 10-nF (or 1.1-nF <sup>(2)</sup> ) pulldown
TEST	Open	This pin always has an internal pulldown enabled.
TRI0-	Open	This pin is a high-impedance output.

(1) Any unused pin with a secondary function that is shared with general-purpose I/O should follow the Px.0 to Px.7 unused pin connection guidelines.

(2) The pulldown capacitor should not exceed 1.1 nF when using devices with Spy-Bi-Wire interface in Spy-Bi-Wire mode with TI tools like FET interfaces or GANG programmers. TI recommends a 1-nF capacitor to enable high-speed SBW communication.

## 5 Specifications

### 5.1 Absolute Maximum Ratings<sup>(1)</sup>

over operating free-air temperature range (unless otherwise noted)

	MIN	MAX	UNIT
Voltage applied at DVCC pin to V <sub>SS</sub>	-0.3	4.1	V
Voltage applied to any pin <sup>(2)</sup>	-0.3	V <sub>CC</sub> + 0.3 (4.1 V Max)	V
Diode current at any device pin		±2	mA
Maximum junction temperature, T <sub>J</sub>		85	°C
Storage temperature, T <sub>stg</sub> <sup>(3)</sup>	-40	125	°C

- (1) Stresses beyond those listed under *Absolute Maximum Ratings* may cause permanent damage to the device. These are stress ratings only, and functional operation of the device at these or any other conditions beyond those indicated under *Recommended Operating Conditions* is not implied. Exposure to absolute-maximum-rated conditions for extended periods may affect device reliability.
- (2) All voltages referenced to V<sub>SS</sub>.
- (3) Higher temperature may be applied during board soldering according to the current JEDEC J-STD-020 specification with peak reflow temperatures not higher than classified on the device label on the shipping boxes or reels.

### 5.2 ESD Ratings

		VALUE	UNIT
V <sub>(ESD)</sub> Electrostatic discharge	Human-body model (HBM), per ANSI/ESDA/JEDEC JS-001 <sup>(1)</sup>	±1000	V
	Charged-device model (CDM), per JEDEC specification JESD22-C101 <sup>(2)</sup>	±250	

- (1) JEDEC document JEP155 states that 500-V HBM allows safe manufacturing with a standard ESD control process. Manufacturing with less than 500-V HBM is possible with the necessary precautions. Pins listed as ±1000 V may actually have higher performance.
- (2) JEDEC document JEP157 states that 250-V CDM allows safe manufacturing with a standard ESD control process. Manufacturing with less than 250-V CDM is possible with the necessary precautions. Pins listed as ±250 V may actually have higher performance.

### 5.3 Recommended Operating Conditions

		MIN	NOM	MAX	UNIT
V <sub>CC</sub>	Supply voltage applied at DVCC pin <sup>(1)(2)(3)(4)</sup>	1.8		3.6	V
V <sub>SS</sub>	Supply voltage applied at DVSS pin		0		V
T <sub>A</sub>	Operating free-air temperature	-40		85	°C
T <sub>J</sub>	Operating junction temperature	-40		85	°C
C <sub>DVCC</sub>	Recommended capacitor at DVCC <sup>(5)</sup>	4.7	10		µF
f <sub>SYSTEM</sub>	Processor frequency (maximum MCLK frequency) <sup>(4)(6)</sup>	No FRAM wait states (NWAITS <sub>x</sub> = 0)		8	MHz
		With FRAM wait states (NWAITS <sub>x</sub> = 1) <sup>(7)</sup>	0	16 <sup>(8)</sup>	
f <sub>ACLK</sub>	Maximum ACLK frequency			40	kHz
f <sub>SMCLK</sub>	Maximum SMCLK frequency			16 <sup>(8)</sup>	MHz

- (1) Supply voltage changes faster than 0.2 V/µs can trigger a BOR reset even within the recommended supply voltage range. Following the data sheet recommendation for capacitor C<sub>DVCC</sub> limits the slopes accordingly.
- (2) Modules may have a different supply voltage range specification. See the specification of the respective module in this data sheet.
- (3) TI recommends that power to the DVCC pin must not exceed the limits specified in *Recommended Operating Conditions*. Exceeding the specified limits can cause malfunction of the device including erroneous writes to RAM and FRAM.
- (4) The minimum supply voltage is defined by the SVS levels. See the SVS threshold parameters in [Table 5-1](#).
- (5) A capacitor tolerance of ±20% or better is required. A low-ESR ceramic capacitor of 100 nF (minimum) should be placed as close as possible (within a few millimeters) to the respective pin pair.
- (6) Modules may have a different maximum input clock specification. See the specification of the respective module in this data sheet.
- (7) Wait states only occur on actual FRAM accesses (that is, on FRAM cache misses). RAM and peripheral accesses are always executed without wait states.
- (8) If clock sources such as HF crystals or the DCO with frequencies >16 MHz are used, the clock must be divided in the clock system to comply with this operating condition.

#### 5.4 Active Mode Supply Current Into $V_{CC}$ Excluding External Current<sup>(1)</sup>

PARAMETER	EXECUTION MEMORY	TEST CONDITIONS	FREQUENCY ( $f_{MCLK} = f_{SMCLK}$ )						UNIT
			1 MHz 0 WAIT STATES (NWAITS <sub>x</sub> = 0)		8 MHz 0 WAIT STATES (NWAITS <sub>x</sub> = 0)		16 MHz 1 WAIT STATE (NWAITS <sub>x</sub> = 1)		
			TYP	MAX	TYP	MAX	TYP	MAX	
$I_{AM, FRAM(0\%)}$	FRAM 0% cache hit ratio	3.0 V, 25°C	474		2639		3156	μA	
		3.0 V, 85°C	516		2919		3205		
$I_{AM, FRAM(100\%)}$	FRAM 100% cache hit ratio	3.0 V, 25°C	196		585		958	μA	
		3.0 V, 85°C	205		598		974		
$I_{AM, RAM}^{(2)}$	RAM	3.0 V, 25°C	219		750		1250	μA	

(1) All inputs are tied to 0 V or to  $V_{CC}$ . Outputs do not source or sink any current. Characterized with program executing typical data processing.

$f_{ACLK} = 32768$  Hz,  $f_{MCLK} = f_{SMCLK} = f_{DCO}$  at specified frequency  
Program and data entirely reside in FRAM. All execution is from FRAM.

(2) Program and data reside entirely in RAM. All execution is from RAM. No access to FRAM.

#### 5.5 Active Mode Supply Current Per MHz

$V_{CC} = 3.0$  V,  $T_A = 25^\circ\text{C}$  (unless otherwise noted)

PARAMETER	TEST CONDITIONS	TYP	UNIT
$dI_{AM,FRAM}/df$	Active mode current consumption per MHz, execution from FRAM, no wait states <sup>(1)</sup>	126	μA/MHz

(1) All peripherals are turned on in default settings.

#### 5.6 Low-Power Mode LPM0 Supply Currents Into $V_{CC}$ Excluding External Current

$V_{CC} = 3.0$  V,  $T_A = 25^\circ\text{C}$  (unless otherwise noted)<sup>(1) (2)</sup>

PARAMETER	$V_{CC}$	FREQUENCY ( $f_{SMCLK}$ )						UNIT
		1 MHz		8 MHz		16 MHz		
		TYP	MAX	TYP	MAX	TYP	MAX	
$I_{LPM0}$	2.0 V	158		307		415	μA	
	3.0 V	169		318		427		

(1) All inputs are tied to 0 V or to  $V_{CC}$ . Outputs do not source or sink any current.

(2) Current for watchdog timer clocked by SMCLK included.

$f_{ACLK} = 32768$  Hz,  $f_{MCLK} = 0$  MHz,  $f_{SMCLK}$  at specified frequency.



## 5.7 Low-Power Mode LPM3 and LPM4 Supply Currents (Into $V_{CC}$ ) Excluding External Current

over recommended ranges of supply voltage and operating free-air temperature (unless otherwise noted)<sup>(1)</sup> (see [Figure 5-1](#))

PARAMETER	$V_{CC}$	-40°C		25°C		85°C		UNIT
		TYP	MAX	TYP	MAX	TYP	MAX	
$I_{LPM3,XT1}$ Low-power mode 3, includes SVS <sup>(2) (3) (4)</sup>	3.0 V	1.01		1.16		2.53	5.25	$\mu$ A
	2.0 V	0.99		1.13		2.49		
$I_{LPM3,VLO}$ Low-power mode 3, VLO, excludes SVS <sup>(5)</sup>	3.0 V	0.88		1.02		2.39	5.06	$\mu$ A
	2.0 V	0.86		1.00		2.35		
$I_{LPM3, RTC}$ Low-power mode 3, RTC, excludes SVS <sup>(6)</sup>	3.0 V	0.96		1.11		2.49		$\mu$ A
	2.0 V	0.94		1.09		2.45		
$I_{LPM4, SVS}$ Low-power mode 4, includes SVS <sup>(7)</sup>	3.0 V	0.50		0.60		1.93		$\mu$ A
	2.0 V	0.48		0.59		1.91		
$I_{LPM4}$ Low-power mode 4, excludes SVS <sup>(7)</sup>	3.0 V	0.34		0.45		1.77		$\mu$ A
	2.0 V	0.34		0.44		1.75		
$I_{LPM4, RTC, VLO}$ Low-power mode 4, RTC is sourced from VLO, excludes SVS <sup>(8)</sup>	3.0 V	0.48		0.59		1.91		$\mu$ A
	2.0 V	0.48		0.58		1.89		
$I_{LPM4, RTC, XT1}$ Low-power mode 4, RTC is sourced from XT1, excludes SVS <sup>(6)(9)</sup>	3.0 V	0.89		1.04		2.41		$\mu$ A
	2.0 V	0.88		1.02		2.38		

- (1) All inputs are tied to 0 V or to  $V_{CC}$ . Outputs do not source or sink any current.
- (2) Not applicable for devices with HF crystal oscillator only.
- (3) Characterized with a Seiko Crystal SC-32S crystal with a load capacitance chosen to closely match the required load.
- (4) Low-power mode 3, includes SVS test conditions:  
Current for watchdog timer clocked by ACLK and RTC clocked by XT1 included. Current for brownout and SVS included (SVSHE = 1).  
CPUOFF = 1, SCG0 = 1 SCG1 = 1, OSCOFF = 0 (LPM3),  
 $f_{XT1} = 32768$  Hz,  $f_{ACLK} = f_{XT1}$ ,  $f_{MCLK} = f_{SMCLK} = 0$  MHz
- (5) Low-power mode 3, VLO, excludes SVS test conditions:  
Current for watchdog timer clocked by VLO included. RTC disabled. Current for brownout included. SVS disabled (SVSHE = 0).  
CPUOFF = 1, SCG0 = 1 SCG1 = 1, OSCOFF = 0 (LPM3),  
 $f_{XT1} = 32768$  Hz,  $f_{MCLK} = f_{SMCLK} = 0$  MHz
- (6) RTC is sourced from external 32768-Hz crystal.
- (7) CPUOFF = 1, SCG0 = 1 SCG1 = 1, OSCOFF = 1 (LPM4), CPU and all clocks are disabled, WDT and RTC disabled
- (8) Low-power mode 4, VLO, excludes SVS test conditions:  
Current for RTC clocked by VLO included. Current for brownout included. SVS disabled (SVSHE = 0).  
CPUOFF = 1, SCG0 = 1 SCG1 = 1, OSCOFF = 1 (LPM4),  
 $f_{XT1} = 0$  Hz,  $f_{MCLK} = f_{SMCLK} = 0$  MHz
- (9) Low-power mode 4, XT1, excludes SVS test conditions:  
Current for RTC clocked by XT1 included. Current for brownout included. SVS disabled (SVSHE = 0).  
CPUOFF = 1, SCG0 = 1 SCG1 = 1, OSCOFF = 1 (LPM4),  
 $f_{XT1} = 32768$  Hz,  $f_{MCLK} = f_{SMCLK} = 0$  MHz

## 5.8 Low-Power Mode LPMx.5 Supply Currents (Into $V_{CC}$ ) Excluding External Current

over recommended ranges of supply voltage and operating free-air temperature (unless otherwise noted)

PARAMETER		$V_{CC}$	-40°C		25°C		85°C		UNIT
			TYP	MAX	TYP	MAX	TYP	MAX	
$I_{LPM3.5, XT1}$	Low-power mode 3.5, includes SVS <sup>(1)</sup> <sup>(2)</sup> <sup>(3)</sup> (also see <a href="#">Figure 5-2</a> )	3.0 V	0.64		0.71		0.86	1.23	$\mu A$
		2.0 V	0.61		0.69		0.83		
$I_{LPM4.5, SVS}$	Low-power mode 4.5, includes SVS <sup>(4)</sup> (also see <a href="#">Figure 5-3</a> )	3.0 V	0.23		0.25		0.30	0.45	$\mu A$
		2.0 V	0.21		0.24		0.29		
$I_{LPM4.5}$	Low-power mode 4.5, excludes SVS <sup>(5)</sup>	3.0 V	0.020		0.032		0.071	0.120	$\mu A$
		2.0 V	0.022		0.034		0.068		

(1) Not applicable for devices with HF crystal oscillator only.

(2) Characterized with a Seiko Crystal SC-32S crystal with a load capacitance chosen to closely match the required load.

(3) Low-power mode 3.5, includes SVS test conditions:

Current for RTC clocked by XT1 included. Current for brownout and SVS included (SVSHE = 1). Core regulator disabled.

PMMREGOFF = 1, CPUOFF = 1, SCG0 = 1 SCG1 = 1, OSCOFF = 1 (LPMx.5),

$f_{XT1} = 32768$  Hz,  $f_{ACLK} = f_{XT1}$ ,  $f_{MCLK} = f_{SMCLK} = 0$  MHz

(4) Low-power mode 4.5, includes SVS test conditions:

Current for brownout and SVS included (SVSHE = 1). Core regulator disabled.

PMMREGOFF = 1, CPUOFF = 1, SCG0 = 1 SCG1 = 1, OSCOFF = 1 (LPMx.5),

$f_{XT1} = 0$  Hz,  $f_{ACLK} = f_{MCLK} = f_{SMCLK} = 0$  MHz

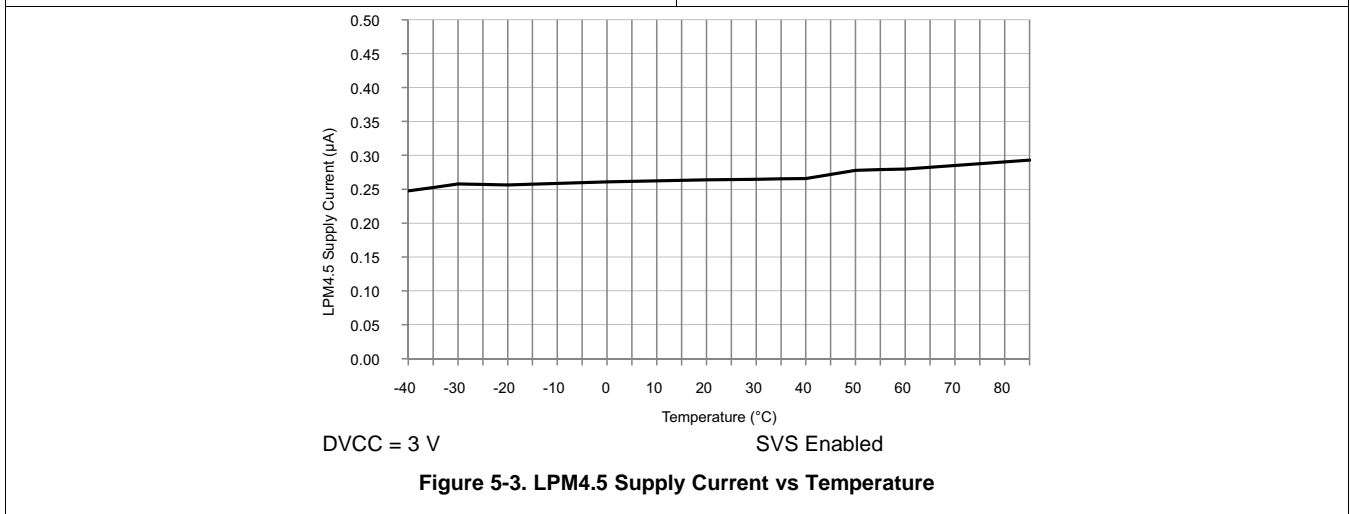
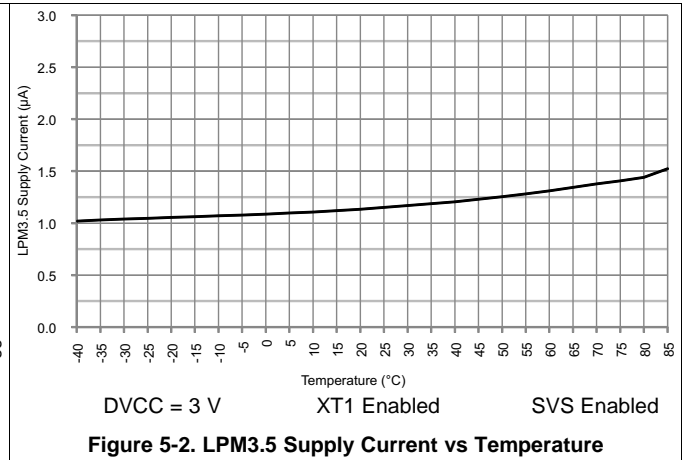
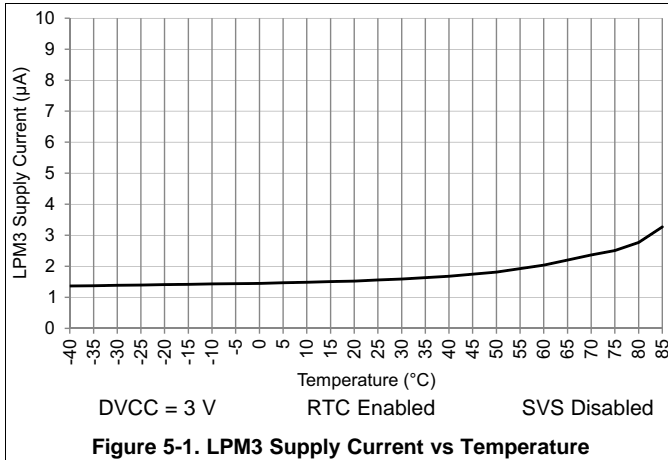
(5) Low-power mode 4.5, excludes SVS test conditions:

Current for brownout included. SVS disabled (SVSHE = 0). Core regulator disabled.

PMMREGOFF = 1, CPUOFF = 1, SCG0 = 1 SCG1 = 1, OSCOFF = 1 (LPMx.5),

$f_{XT1} = 0$  Hz,  $f_{ACLK} = f_{MCLK} = f_{SMCLK} = 0$  MHz

### 5.9 Production Distribution of LPM Supply Currents



## 5.10 Typical Characteristics – Current Consumption Per Module

MODULE	TEST CONDITIONS	REFERENCE CLOCK	TYP	UNIT
Timer_B	SMCLK = 8 MHz, MC = 10b	Module input clock	5	μA/MHz
eUSCI_A	UART mode	Module input clock	7	μA/MHz
eUSCI_A	SPI mode	Module input clock	5	μA/MHz
eUSCI_B	SPI mode	Module input clock	5	μA/MHz
eUSCI_B	I <sup>2</sup> C mode, 100 kbaud	Module input clock	5	μA/MHz
RTC		32 kHz	85	nA
CRC	From start to end of operation	MCLK	8.5	μA/MHz

## 5.11 Thermal Resistance Characteristics

			VALUE	UNIT
θ <sub>JA</sub>	Junction-to-ambient thermal resistance, still air <sup>(1)</sup>	VQFN 16 pin (RGY)	41.8	°C/W
		TSSOP 20 pin (PW20)	92.6	
		TSSOP 16 pin (PW16)	104.1	
θ <sub>JC</sub>	Junction-to-case (top) thermal resistance <sup>(2)</sup>	VQFN 16 pin (RGY)	49.1	°C/W
		TSSOP 20 pin (PW20)	26.1	
		TSSOP 16 pin (PW16)	38.5	
θ <sub>JB</sub>	Junction-to-board thermal resistance <sup>(3)</sup>	VQFN 16 pin (RGY)	18.5	°C/W
		TSSOP 20 pin (PW20)	45.0	
		TSSOP 16 pin (PW16)	49.1	

- (1) The junction-to-ambient thermal resistance under natural convection is obtained in a simulation on a JEDEC-standard, High-K board, as specified in JESD51-7, in an environment described in JESD51-2a.
- (2) The junction-to-case (top) thermal resistance is obtained by simulating a cold plate test on the package top. No specific JEDEC-standard test exists, but a close description can be found in the ANSI SEMI standard G30-88.
- (3) The junction-to-board thermal resistance is obtained by simulating in an environment with a ring cold plate fixture to control the PCB temperature, as described in JESD51-8.

## 5.12 Timing and Switching Characteristics

### 5.12.1 Power Supply Sequencing

Table 5-1 lists the characteristics of the SVS and BOR.

**Table 5-1. PMM, SVS and BOR**

over recommended ranges of supply voltage and operating free-air temperature (unless otherwise noted) (see Figure 5-4)

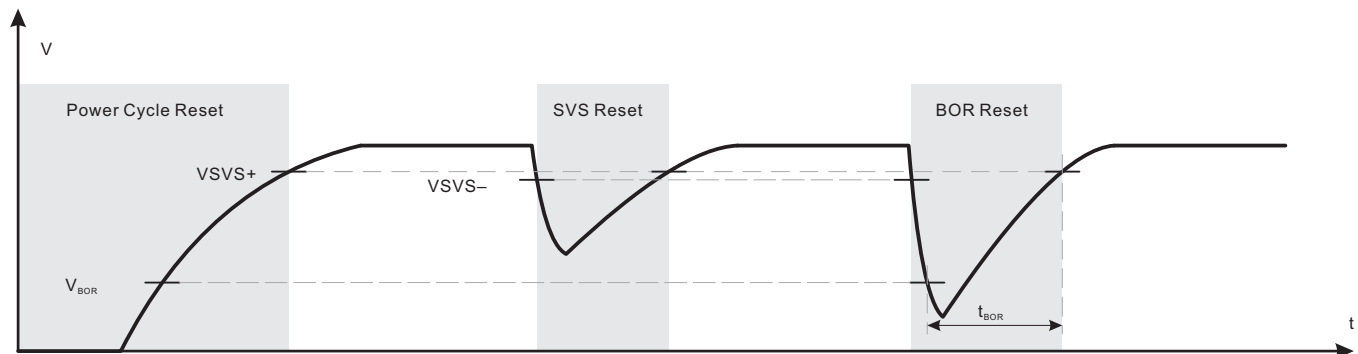
PARAMETER		TEST CONDITIONS	MIN	TYP	MAX	UNIT
$V_{BOR, safe}$	Safe BOR power-down level <sup>(1)</sup>		0.1			V
$t_{BOR, safe}$	Safe BOR reset delay <sup>(2)</sup>		10			ms
$I_{SVSH, AM}$	SVSH current consumption, active mode	$V_{CC} = 3.6 V$			1.5	$\mu A$
$I_{SVSH, LPM}$	SVSH current consumption, low-power modes	$V_{CC} = 3.6 V$		240		nA
$V_{SVSH-}$	SVSH power-down level <sup>(3)</sup>		1.71	1.80	1.87	V
$V_{SVSH+}$	SVSH power-up level <sup>(3)</sup>		1.76	1.88	1.99	V
$V_{SVSH, hys}$	SVSH hysteresis			80		mV
$t_{PD, SVSH, AM}$	SVSH propagation delay, active mode				10	$\mu s$
$t_{PD, SVSH, LPM}$	SVSH propagation delay, low-power modes				100	$\mu s$

(1) A safe BOR is correctly generated only if DVCC drops below this voltage before it rises.

(2) When an BOR occurs, a safe BOR is correctly generated only if DVCC is kept low longer than this period before it reaches  $V_{SVSH+}$ .

(3) For additional information, see the [Dynamic Voltage Scaling Power Solution for MSP430 Devices With Single-Channel LDO Reference Design](#).

Figure 5-4 shows the reset conditions.



**Figure 5-4. Power Cycle, SVS, and BOR Reset Conditions**

## 5.12.2 Reset Timing

Table 5-2 lists the wake-up times from low-power modes and reset.

**Table 5-2. Wake-up Times From Low-Power Modes and Reset**

over recommended ranges of supply voltage and operating free-air temperature (unless otherwise noted)

PARAMETER		TEST CONDITIONS	V <sub>CC</sub>	MIN	TYP	MAX	UNIT
t <sub>WAKE-UP FRAM</sub>	(Additional) wake-up time to activate the FRAM in AM if previously disabled through the FRAM controller or from a LPM if immediate activation is selected for wakeup <sup>(1)</sup>		3 V		10		μs
t <sub>WAKE-UP LPM0</sub>	Wake-up time from LPM0 to active mode <sup>(1)</sup>		3 V			200 + 2.5 / f <sub>DCO</sub>	ns
t <sub>WAKE-UP LPM3</sub>	Wake-up time from LPM3 to active mode <sup>(1)</sup>		3 V		10		μs
t <sub>WAKE-UP LPM4</sub>	Wake-up time from LPM4 to active mode <sup>(2)</sup>		3 V		10		μs
t <sub>WAKE-UP LPM3.5</sub>	Wake-up time from LPM3.5 to active mode <sup>(2)</sup>		3 V		350		μs
t <sub>WAKE-UP LPM4.5</sub>	Wake-up time from LPM4.5 to active mode <sup>(2)</sup>	SVSHE = 1	3 V		350		μs
		SVSHE = 0	3 V		1		ms
t <sub>WAKE-UP-RESET</sub>	Wake-up time from $\overline{\text{RST}}$ or BOR event to active mode <sup>(2)</sup>		3 V		1		ms
t <sub>RESET</sub>	Pulse duration required at $\overline{\text{RST}}$ /NMI pin to accept a reset				2		μs

- (1) The wake-up time is measured from the edge of an external wake-up signal (for example, port interrupt or wake-up event) to the first externally observable MCLK clock edge.
- (2) The wake-up time is measured from the edge of an external wake-up signal (for example, port interrupt or wake-up event) until the first instruction of the user program is executed.

### 5.12.3 Clock Specifications

Table 5-3 lists the characteristics of the XT1 crystal oscillator (low frequency).

**Table 5-3. XT1 Crystal Oscillator (Low Frequency)**

over recommended ranges of supply voltage and operating free-air temperature (unless otherwise noted)<sup>(1)(2)</sup>

PARAMETER		TEST CONDITIONS	V <sub>CC</sub>	MIN	TYP	MAX	UNIT
f <sub>XT1, LF</sub>	XT1 oscillator crystal, low frequency	LFXTBYPASS = 0			32768		Hz
DC <sub>XT1, LF</sub>	XT1 oscillator LF duty cycle	Measured at MCLK, f <sub>LFXT</sub> = 32768 Hz		30%		70%	
f <sub>XT1, SW</sub>	XT1 oscillator logic-level square-wave input frequency	LFXTBYPASS = 1 <sup>(3) (4)</sup>			32768		Hz
DC <sub>XT1, SW</sub>	LFXT oscillator logic-level square-wave input duty cycle	LFXTBYPASS = 1		40%		60%	
OA <sub>LFXT</sub>	Oscillation allowance for LF crystals <sup>(5)</sup>	LFXTBYPASS = 0, LFXTDRIVE = {3}, f <sub>LFXT</sub> = 32768 Hz, C <sub>L,eff</sub> = 12.5 pF			200		kΩ
C <sub>L,eff</sub>	Integrated effective load capacitance <sup>(6)</sup>				<sup>(7)</sup> 1		pF
t <sub>START, LFXT</sub>	Start-up time <sup>(8)</sup>	f <sub>OSC</sub> = 32768 Hz LFXTBYPASS = 0, LFXTDRIVE = {3}, T <sub>A</sub> = 25°C, C <sub>L,eff</sub> = 12.5 pF			1000		ms
f <sub>Fault, LFXT</sub>	Oscillator fault frequency <sup>(9)</sup>	XTS = 0 <sup>(10)</sup>		0		3500	Hz

- (1) To improve EMI on the LFXT oscillator, observe the following guidelines.
  - Keep the trace between the device and the crystal as short as possible.
  - Design a good ground plane around the oscillator pins.
  - Prevent crosstalk from other clock or data lines into oscillator pins XIN and XOUT.
  - Avoid running PCB traces under or adjacent to the XIN and XOUT pins.
  - Use assembly materials and processes that avoid any parasitic load on the oscillator XIN and XOUT pins.
  - If conformal coating is used, make sure that it does not induce capacitive or resistive leakage between the oscillator pins.
- (2) See [MSP430 32-kHz Crystal Oscillators](#) for details on crystal section, layout, and testing.
- (3) When LFXTBYPASS is set, LFXT circuits are automatically powered down. Input signal is a digital square wave with parametrics defined in the Schmitt-trigger inputs section of this data sheet. Duty cycle requirements are defined by DC<sub>LFXT, SW</sub>.
- (4) Maximum frequency of operation of the entire device cannot be exceeded.
- (5) Oscillation allowance is based on a safety factor of 5 for recommended crystals. The oscillation allowance is a function of the LFXTDRIVE settings and the effective load. In general, comparable oscillator allowance can be achieved based on the following guidelines, but should be evaluated based on the actual crystal selected for the application:
  - For LFXTDRIVE = {0}, C<sub>L,eff</sub> = 3.7 pF.
  - For LFXTDRIVE = {1}, 6 pF ≤ C<sub>L,eff</sub> ≤ 9 pF.
  - For LFXTDRIVE = {2}, 6 pF ≤ C<sub>L,eff</sub> ≤ 10 pF.
  - For LFXTDRIVE = {3}, 6 pF ≤ C<sub>L,eff</sub> ≤ 12 pF.
- (6) Includes parasitic bond and package capacitance (approximately 2 pF per pin).
- (7) Requires external capacitors at both terminals to meet the effective load capacitance specified by crystal manufacturers. Recommended effective load capacitance values supported are 3.7 pF, 6 pF, 9 pF, and 12.5 pF. Maximum shunt capacitance of 1.6 pF. The PCB adds additional capacitance, so it must also be considered in the overall capacitance. Verify that the recommended effective load capacitance of the selected crystal is met.
- (8) Includes start-up counter of 1024 clock cycles.
- (9) Frequencies above the MAX specification do not set the fault flag. Frequencies in between the MIN and MAX specification may set the flag. A static condition or stuck at fault condition sets the flag.
- (10) Measured with logic-level input frequency but also applies to operation with crystals.

Table 5-4 lists the characteristics of the XT1 crystal oscillator (high frequency).

**Table 5-4. XT1 Crystal Oscillator (High Frequency)**

over recommended ranges of supply voltage and operating free-air temperature (unless otherwise noted)<sup>(1)</sup>

PARAMETER		TEST CONDITIONS	V <sub>CC</sub>	MIN	TYP	MAX	UNIT
f <sub>HFXT</sub>	HFXT oscillator crystal frequency, crystal mode	XT1BYPASS = 0, XTS = 1, XT1HFFREQ = 00		1		4	MHz
		XT1BYPASS = 0, XTS = 1, XT1HFFREQ = 01		4.01		6	
		XT1BYPASS = 0, XTS = 1, XT1HFFREQ = 10		6.01		16	
f <sub>HFXT,SW</sub>	HFXT oscillator logic-level square-wave input frequency, bypass mode	XT1BYPASS = 1, XTS = 1 <sup>(2) (3)</sup>		1		16	MHz
DC <sub>HFXT</sub>	HFXT oscillator duty cycle	Measured at ACLK, f <sub>HFXT,HF</sub> = 4 MHz <sup>(4)</sup>		40%		60%	
DC <sub>HFXT,SW</sub>	HFXT oscillator logic-level square-wave input duty cycle	XT1BYPASS = 1		40%		60%	
OA <sub>HFXT</sub>	Oscillation allowance for HFXT crystals <sup>(5)</sup>	XT1BYPASS = 0, XT1HFSEL = 1, f <sub>HFXT,HF</sub> = 16 MHz, C <sub>L,eff</sub> = 18 pF			2.4		kΩ
t <sub>START,HFXT</sub>	Start-up time <sup>(6)</sup>	f <sub>OSC</sub> = 4 MHz, XTS = 1 <sup>(4)</sup> , XT1BYPASS = 0, XT1HFFREQ = 00, XT1DRIVE = 3, T <sub>A</sub> = 25°C, C <sub>L,eff</sub> = 18 pF			1.6		ms
		f <sub>OSC</sub> = 16 MHz, XTS = 1 <sup>(4)</sup> , XT1BYPASS = 0, XT1HFFREQ = 00, XT1DRIVE = 3, T <sub>A</sub> = 25°C, C <sub>L,eff</sub> = 18 pF			1.1		
C <sub>L,eff</sub>	Integrated effective load capacitance <sup>(7) (8)</sup>				1		pF
f <sub>Fault,HFXT</sub>	Oscillator fault frequency <sup>(9) (10)</sup>			0		800	kHz

- (1) To improve EMI on the HFXT oscillator, the following guidelines should be observed.
  - Keep the trace between the device and the crystal as short as possible.
  - Design a good ground plane around the oscillator pins.
  - Prevent crosstalk from other clock or data lines into oscillator pins XIN and XOUT.
  - Avoid running PCB traces under or adjacent to the XIN and XOUT pins.
  - Use assembly materials and processes that avoid any parasitic load on the oscillator XIN and XOUT pins.
  - If conformal coating is used, make sure that it does not induce capacitive or resistive leakage between the oscillator pins.
- (2) When XT1BYPASS is set, HFXT circuits are automatically powered down. Input signal is a digital square wave with parametrics defined in the Schmitt-trigger Inputs section of this datasheet. Duty cycle requirements are defined by DC<sub>HFXT, SW</sub>.
- (3) Maximum frequency of operation of the entire device cannot be exceeded.
- (4) 4-MHz crystal used for lab characterization: Abracon HC49/U AB-4.000MHZ-B2  
16-MHz crystal used for lab characterization: Abracon HC49/U AB-16.000MHZ-B2
- (5) Oscillation allowance is based on a safety factor of 5 for recommended crystals.
- (6) Includes start-up counter of 4096 clock cycles.
- (7) Includes parasitic bond and package capacitance (approximately 2 pF per pin).  
Because the PCB adds additional capacitance, TI recommends verifying the correct load by measuring the oscillator frequency through MCLK or SMCLK. For a correct setup, the effective load capacitance should always match the specification of the used crystal.
- (8) Requires external capacitors at both terminals. Values are specified by crystal manufacturers. Recommended values supported are 14 pF, 16 pF, and 18 pF. Maximum shunt capacitance of 7 pF.
- (9) Frequencies above the MAX specification do not set the fault flag. Frequencies between the MIN and MAX might set the flag. A static condition or stuck at fault condition sets the flag.
- (10) Measured with logic-level input frequency but also applies to operation with crystals.



Table 5-5 lists the characteristics of the DCO FLL.

**Table 5-5. DCO FLL**

over recommended operating free-air temperature (unless otherwise noted)

PARAMETER		TEST CONDITIONS	V <sub>CC</sub>	MIN	TYP	MAX	UNIT
f <sub>DCO, FLL</sub>	FLL lock frequency, 16 MHz, 25°C	Measured at MCLK, internal trimmed REFO as reference	3.0 V	-1.0%		1.0%	
	FLL lock frequency, 16 MHz, -40°C to 85°C			-2.0%		2.0%	
	FLL lock frequency, 16 MHz, -40°C to 85°C	Measured at MCLK, XT1 crystal as reference		-0.5%		0.5%	
f <sub>DUTY</sub>	Duty cycle	Measured at MCLK, XT1 crystal as reference	3.0 V	40%	50%	60%	
Jitter <sub>cc</sub>	Cycle-to-cycle jitter, 16 MHz	Measured at MCLK, XT1 crystal as reference	3.0 V		0.25%		
Jitter <sub>long</sub>	Long-term jitter, 16 MHz	Measured at MCLK, XT1 crystal as reference	3.0 V		0.022%		
t <sub>FLL, lock</sub>	FLL lock time, 16 MHz	Measured at MCLK, XT1 crystal as reference	3.0 V		200		ms

Table 5-6 lists the characteristics of the DCO frequency.

**Table 5-6. DCO Frequency**

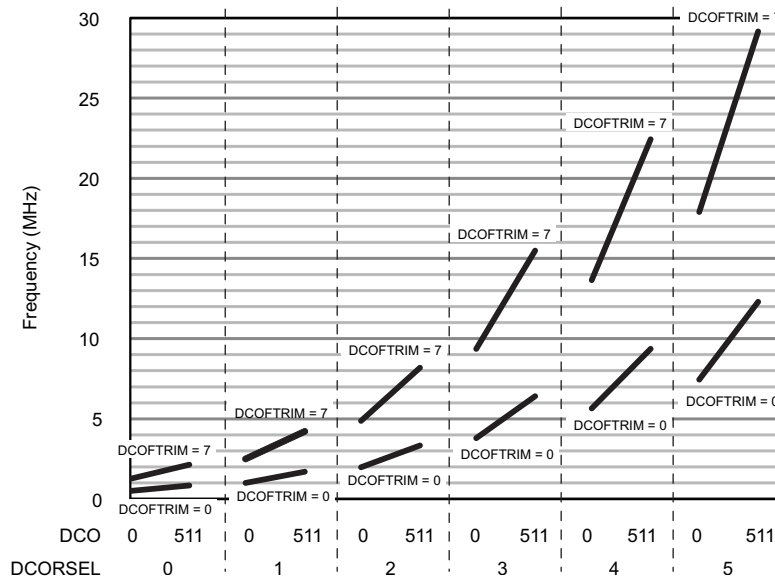
over recommended operating free-air temperature (unless otherwise noted) (see Figure 5-5)

PARAMETER		TEST CONDITIONS	MIN	TYP	MAX	UNIT
f <sub>DCO, 16 MHz</sub>	DCO frequency, 16 MHz	DCORSEL = 101b, DISMOD = 1b, DCOFTRIM = 000b, DCO = 0		7.8		MHz
		DCORSEL = 101b, DISMOD = 1b, DCOFTRIM = 000b, DCO = 511		12.5		
		DCORSEL = 101b, DISMOD = 1b, DCOFTRIM = 111b, DCO = 0		18		
		DCORSEL = 101b, DISMOD = 1b, DCOFTRIM = 111b, DCO = 511		30		
f <sub>DCO, 12 MHz</sub>	DCO frequency, 12 MHz	DCORSEL = 100b, DISMOD = 1b, DCOFTRIM = 000b, DCO = 0		6		MHz
		DCORSEL = 100b, DISMOD = 1b, DCOFTRIM = 000b, DCO = 511		9.5		
		DCORSEL = 100b, DISMOD = 1b, DCOFTRIM = 111b, DCO = 0		13.5		
		DCORSEL = 100b, DISMOD = 1b, DCOFTRIM = 111b, DCO = 511		22		
f <sub>DCO, 8 MHz</sub>	DCO frequency, 8 MHz	DCORSEL = 011b, DISMOD = 1b, DCOFTRIM = 000b, DCO = 0		3.8		MHz
		DCORSEL = 011b, DISMOD = 1b, DCOFTRIM = 000b, DCO = 511		6.5		
		DCORSEL = 011b, DISMOD = 1b, DCOFTRIM = 111b, DCO = 0		9.5		
		DCORSEL = 011b, DISMOD = 1b, DCOFTRIM = 111b, DCO = 511		16		
f <sub>DCO, 4 MHz</sub>	DCO frequency, 4 MHz	DCORSEL = 010b, DISMOD = 1b, DCOFTRIM = 000b, DCO = 0		2		MHz
		DCORSEL = 010b, DISMOD = 1b, DCOFTRIM = 000b, DCO = 511		3.2		
		DCORSEL = 010b, DISMOD = 1b, DCOFTRIM = 111b, DCO = 0		4.8		
		DCORSEL = 010b, DISMOD = 1b, DCOFTRIM = 111b, DCO = 511		8		

**Table 5-6. DCO Frequency (continued)**

over recommended operating free-air temperature (unless otherwise noted) (see [Figure 5-5](#))

PARAMETER	TEST CONDITIONS	MIN	TYP	MAX	UNIT
f <sub>DCO, 2 MHz</sub> DCO frequency, 2 MHz	DCORSEL = 001b, DISMOD = 1b, DCOFTRIM = 000b, DCO = 0		1		MHz
	DCORSEL = 001b, DISMOD = 1b, DCOFTRIM = 000b, DCO = 511		1.7		
	DCORSEL = 001b, DISMOD = 1b, DCOFTRIM = 111b, DCO = 0		2.5		
	DCORSEL = 001b, DISMOD = 1b, DCOFTRIM = 111b, DCO = 511		4.2		
f <sub>DCO, 1 MHz</sub> DCO frequency, 1 MHz	DCORSEL = 000b, DISMOD = 1b, DCOFTRIM = 000b, DCO = 0		0.5		MHz
	DCORSEL = 000b, DISMOD = 1b, DCOFTRIM = 000b, DCO = 511		0.85		
	DCORSEL = 000b, DISMOD = 1b, DCOFTRIM = 111b, DCO = 0		1.2		
	DCORSEL = 000b, DISMOD = 1b, DCOFTRIM = 111b, DCO = 511		2.1		



**Figure 5-5. Typical DCO Frequency**

Table 5-7 lists the characteristics of the REFO.

**Table 5-7. REFO**

over recommended operating free-air temperature (unless otherwise noted)

PARAMETER	TEST CONDITIONS	V <sub>CC</sub>	MIN	TYP	MAX	UNIT
I <sub>REFO</sub>	REFO oscillator current consumption	T <sub>A</sub> = 25°C	3.0 V	15		μA
f <sub>REFO</sub>	REFO calibrated frequency	Measured at MCLK	3.0 V	32768		Hz
	REFO absolute calibrated tolerance	T <sub>A</sub> = -40°C to 85°C	1.8 V to 3.6 V	-3.5%	+3.5%	
df <sub>REFO</sub> /dT	REFO frequency temperature drift	Measured at MCLK <sup>(1)</sup>	3.0 V	0.01		%/°C
df <sub>REFO</sub> /dV <sub>CC</sub>	REFO frequency supply voltage drift	Measured at MCLK at 25°C <sup>(2)</sup>	1.8 V to 3.6 V	1		%/V
f <sub>DC</sub>	REFO duty cycle	Measured at MCLK	1.8V to 3.6 V	40%	50%	60%
t <sub>START</sub>	REFO start-up time	40% to 60% duty cycle		50		μs

(1) Calculated using the box method: (MAX(-40°C to 85°C) – MIN(-40°C to 85°C)) / MIN(-40°C to 85°C) / (85°C – (-40°C))

(2) Calculated using the box method: (MAX(1.8 V to 3.6 V) – MIN(1.8 V to 3.6 V)) / MIN(1.8 V to 3.6 V) / (3.6 V – 1.8 V)

Table 5-8 lists the characteristics of the internal very-low-power low-frequency oscillator (VLO).

**Table 5-8. Internal Very-Low-Power Low-Frequency Oscillator (VLO)**

over recommended ranges of supply voltage and operating free-air temperature (unless otherwise noted)

PARAMETER		TEST CONDITIONS	V <sub>CC</sub>	MIN	TYP	MAX	UNIT
f <sub>VLO</sub>	VLO frequency	Measured at MCLK	3.0 V		10		kHz
df <sub>VLO</sub> /dT	VLO frequency temperature drift	Measured at MCLK <sup>(1)</sup>	3.0 V		0.5		%/°C
df <sub>VLO</sub> /dV <sub>CC</sub>	VLO frequency supply voltage drift	Measured at MCLK <sup>(2)</sup>	1.8 V to 3.6 V		4		%/V
f <sub>VLO,DC</sub>	Duty cycle	Measured at MCLK	3.0 V		50%		

(1) Calculated using the box method: (MAX(−40°C to 85°C) – MIN(−40°C to 85°C)) / MIN(−40°C to 85°C) / (85°C – (−40°C))

(2) Calculated using the box method: (MAX(1.8 V to 3.6 V) – MIN(1.8 V to 3.6 V)) / MIN(1.8 V to 3.6 V) / (3.6 V – 1.8 V)

**NOTE**

The VLO clock frequency is reduced by 15% (typical) when the device switches from active mode or LPM0 to LPM3 or LPM4, because the reference changes. This lower frequency is not a violation of the VLO specifications (see Table 5-8).

Table 5-9 lists the characteristics of the module oscillator (MODOSC).

**Table 5-9. Module Oscillator (MODOSC)**

over recommended ranges of supply voltage and operating free-air temperature (unless otherwise noted)

PARAMETER		V <sub>CC</sub>	MIN	TYP	MAX	UNIT
f <sub>MODOSC</sub>	MODOSC frequency	3.0 V	3.8	4.8	5.8	MHz
f <sub>MODOSC</sub> /dT	MODOSC frequency temperature drift	3.0 V		0.102		%/°C
f <sub>MODOSC</sub> /dV <sub>CC</sub>	MODOSC frequency supply voltage drift	1.8 V to 3.6 V		1.02		%/V
f <sub>MODOSC,DC</sub>	Duty cycle	3.0 V	40%	50%	60%	

## 5.12.4 Digital I/Os

Table 5-10 lists the characteristics of the digital inputs.

**Table 5-10. Digital Inputs**

over recommended ranges of supply voltage and operating free-air temperature (unless otherwise noted)

PARAMETER		TEST CONDITIONS	V <sub>CC</sub>	MIN	TYP	MAX	UNIT
V <sub>IT+</sub>	Positive-going input threshold voltage		2 V	0.90		1.50	V
			3 V	1.35		2.25	
V <sub>IT-</sub>	Negative-going input threshold voltage		2 V	0.50		1.10	V
			3 V	0.75		1.65	
V <sub>hys</sub>	Input voltage hysteresis (V <sub>IT+</sub> – V <sub>IT-</sub> )		2 V	0.3		0.8	V
			3 V	0.4		1.2	
R <sub>Pull</sub>	Pullup or pulldown resistor	For pullup: V <sub>IN</sub> = V <sub>SS</sub> For pulldown: V <sub>IN</sub> = V <sub>CC</sub>		20	35	50	kΩ
C <sub>I,dig</sub>	Input capacitance, digital only port pins	V <sub>IN</sub> = V <sub>SS</sub> or V <sub>CC</sub>			3		pF
C <sub>I,ana</sub>	Input capacitance, port pins with shared analog functions	V <sub>IN</sub> = V <sub>SS</sub> or V <sub>CC</sub>			5		pF
I <sub>lkg(Px.y)</sub>	High-impedance leakage current <sup>(1)(2)</sup>		2 V, 3 V	-20		+20	nA
t <sub>(int)</sub>	External interrupt timing (external trigger pulse duration to set interrupt flag) <sup>(3)</sup>	Ports with interrupt capability (see block diagram and terminal function descriptions)	2 V, 3 V	50			ns

(1) The leakage current is measured with V<sub>SS</sub> or V<sub>CC</sub> applied to the corresponding pins, unless otherwise noted.

(2) The leakage of the digital port pins is measured individually. The port pin is selected for input and the pullup or pulldown resistor is disabled.

(3) An external signal sets the interrupt flag every time the minimum interrupt pulse duration t<sub>(int)</sub> is met. The interrupt flag may be set by trigger signals shorter than t<sub>(int)</sub>.

Table 5-11 lists the characteristics of the digital outputs. Also see Figure 5-6 through Figure 5-9.

**Table 5-11. Digital Outputs**

over recommended ranges of supply voltage and operating free-air temperature (unless otherwise noted)

PARAMETER		TEST CONDITIONS	V <sub>CC</sub>	MIN	TYP	MAX	UNIT
V <sub>OH</sub>	High-level output voltage	I <sub>(OHmax)</sub> = -3 mA <sup>(1)</sup>	2.0 V	1.4		2.0	V
		I <sub>(OHmax)</sub> = -5 mA <sup>(1)</sup>	3.0 V	2.4		3.0	
V <sub>OL</sub>	Low-level output voltage	I <sub>(OLmax)</sub> = 3 mA <sup>(1)</sup>	2.0 V	0.0		0.60	V
		I <sub>(OLmax)</sub> = 5 mA <sup>(1)</sup>	3.0 V	0.0		0.60	
f <sub>Port_CLK</sub>	Clock output frequency	C <sub>L</sub> = 20 pF <sup>(2)</sup>	2.0 V	16			MHz
			3.0 V	16			
t <sub>rise,dig</sub>	Port output rise time, digital only port pins	C <sub>L</sub> = 20 pF	2.0 V		10		ns
			3.0 V		7		
t <sub>fall,dig</sub>	Port output fall time, digital only port pins	C <sub>L</sub> = 20 pF	2.0 V		10		ns
			3.0 V		5		

(1) The maximum total current, I<sub>(OHmax)</sub> and I<sub>(OLmax)</sub>, for all outputs combined should not exceed ±48 mA to hold the maximum voltage drop specified.

(2) The port can output frequencies at least up to the specified limit and might support higher frequencies.

5.12.4.1 Digital I/O Typical Characteristics

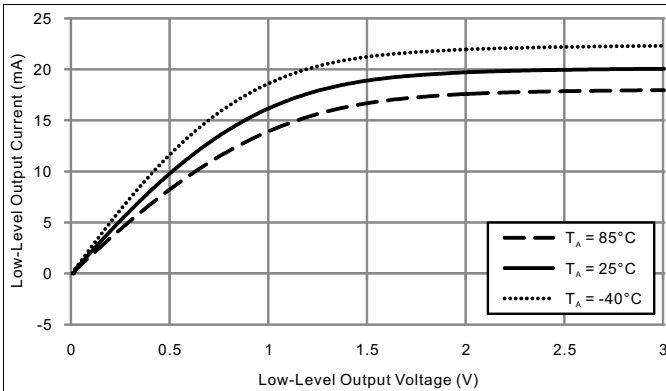


Figure 5-6. Typical Low-Level Output Current vs Low-Level Output Voltage (DVCC = 3 V)

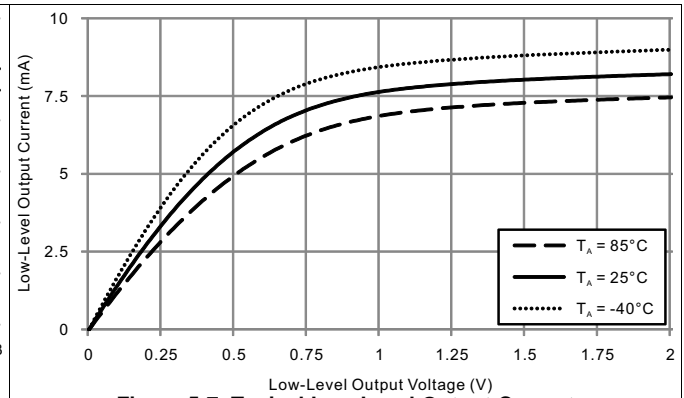


Figure 5-7. Typical Low-Level Output Current vs Low-Level Output Voltage (DVCC = 2 V)

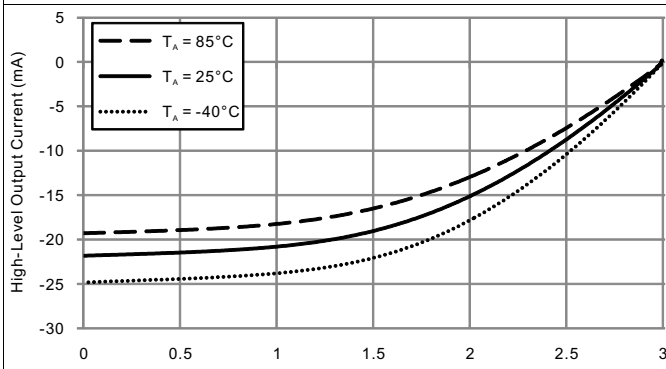


Figure 5-8. Typical High-Level Output Current vs High-Level Output Voltage (DVCC = 3 V)

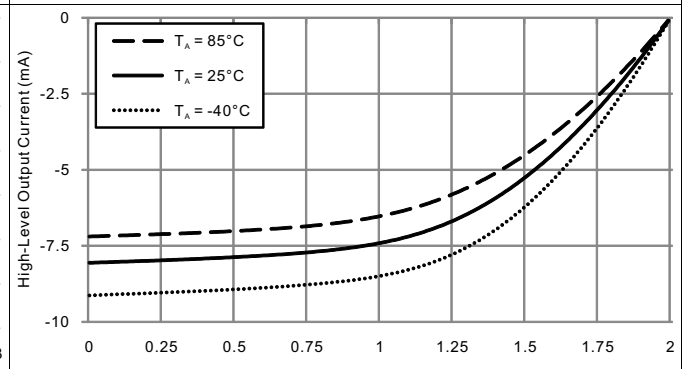


Figure 5-9. Typical High-Level Output Current vs High-Level Output Voltage (DVCC = 2 V)

### 5.12.5 VREF+ Built-in Reference

Table 5-12 lists the characteristics of the VREF+.

**Table 5-12. VREF+**

over recommended ranges of supply voltage and operating free-air temperature (unless otherwise noted)

PARAMETER		TEST CONDITIONS	V <sub>CC</sub>	MIN	TYP	MAX	UNIT
V <sub>REF+</sub>	Positive built-in reference voltage	EXTREFEN = 1 with 1-mA load current to ground	2.0 V, 3.0 V	1.15	1.19	1.23	V
T <sub>CREF+</sub>	Temperature coefficient of built-in reference voltage	EXTREFEN = 1 with 1-mA load current			30		μV/°C

### 5.12.6 Timer\_B

Table 5-13 lists the characteristics of the Timer\_B clock frequency.

**Table 5-13. Timer\_B**

over recommended ranges of supply voltage and operating free-air temperature (unless otherwise noted)

PARAMETER		TEST CONDITIONS	V <sub>CC</sub>	MIN	MAX	UNIT
f <sub>TB</sub>	Timer_B input clock frequency	Internal: SMCLK or ACLK, External: TBCLK, Duty cycle = 50% ±10%	2.0 V, 3.0 V		16	MHz
t <sub>TB,cap</sub>	Timer_B capture timing	All capture inputs, minimum pulse duration required for capture	2.0 V, 3.0 V	20		ns

### 5.12.7 eUSCI

Table 5-14 lists the clock frequency of the eUSCI in UART mode.

**Table 5-14. eUSCI (UART Mode) Clock Frequency**

over recommended ranges of supply voltage and operating free-air temperature (unless otherwise noted)

PARAMETER		TEST CONDITIONS	V <sub>CC</sub>	MIN	MAX	UNIT
f <sub>eUSCI</sub>	eUSCI input clock frequency	Internal: SMCLK or MODCLK, External: UCLK, Duty cycle = 50% ±10%	2.0 V, 3.0 V		16	MHz
f <sub>BITCLK</sub>	BITCLK clock frequency (equals baud rate in Mbaud)		2.0 V, 3.0 V		5	MHz

Table 5-15 lists the switching characteristics of the eUSCI in UART mode.

**Table 5-15. eUSCI (UART Mode) Switching Characteristics**

over recommended ranges of supply voltage and operating free-air temperature (unless otherwise noted)

PARAMETER		TEST CONDITIONS	V <sub>CC</sub>	MIN	TYP	MAX	UNIT
t <sub>t</sub>	UART receive deglitch time <sup>(1)</sup>	UCGLITx = 0	2.0 V, 3.0 V		12		ns
		UCGLITx = 1			40		
		UCGLITx = 2			68		
		UCGLITx = 3			110		

- (1) Pulses on the UART receive input (UCxRX) shorter than the UART receive deglitch time are suppressed. To make sure that pulses are correctly recognized, their duration must exceed the maximum specification of the deglitch time.

Table 5-16 lists the clock frequency of the eUSCI in SPI master mode.

**Table 5-16. eUSCI (SPI Master Mode) Clock Frequency**

over recommended ranges of supply voltage and operating free-air temperature (unless otherwise noted)

PARAMETER		CONDITIONS	MIN	MAX	UNIT
f <sub>eUSCI</sub>	eUSCI input clock frequency	Internal: SMCLK or MODCLK, Duty cycle = 50% ±10%		8	MHz

Table 5-17 lists the switching characteristics of the eUSCI in SPI master mode.

**Table 5-17. eUSCI (SPI Master Mode) Switching Characteristics**

over recommended ranges of supply voltage and operating free-air temperature (unless otherwise noted)<sup>(1)</sup>

PARAMETER		TEST CONDITIONS	V <sub>CC</sub>	MIN	MAX	UNIT
t <sub>STE,LEAD</sub>	STE lead time, STE active to clock	UCSTEM = 1, UCMODEx = 01 or 10		1		UCxCLK cycles
t <sub>STE,LAG</sub>	STE lag time, last clock to STE inactive	UCSTEM = 1, UCMODEx = 01 or 10		1		UCxCLK cycles
t <sub>SU,MI</sub>	SOMI input data setup time		2.0 V	47		ns
			3.0 V	35		
t <sub>HD,MI</sub>	SOMI input data hold time		2.0 V	0		ns
			3.0 V	0		
t <sub>VALID,MO</sub>	SIMO output data valid time <sup>(2)</sup>	UCLK edge to SIMO valid, C <sub>L</sub> = 20 pF	2.0 V		20	ns
			3.0 V		20	
t <sub>HD,MO</sub>	SIMO output data hold time <sup>(3)</sup>	C <sub>L</sub> = 20 pF	2.0 V	0		ns
			3.0 V	0		

- (1)  $f_{UCxCLK} = 1/2(t_{LO/Hi})$  with  $t_{LO/Hi} = \max(t_{VALID,MO(eUSCI)} + t_{SU,SI(Slave)}, t_{SU,MI(eUSCI)} + t_{VALID,SO(Slave)})$   
For the slave parameters  $t_{SU,SI(Slave)}$  and  $t_{VALID,SO(Slave)}$ , see the SPI parameters of the attached slave.
- (2) Specifies the time to drive the next valid data to the SIMO output after the output changing UCLK clock edge. See the timing diagrams in Figure 5-10 and Figure 5-11.
- (3) Specifies how long data on the SIMO output is valid after the output changing UCLK clock edge. Negative values indicate that the data on the SIMO output can become invalid before the output changing clock edge observed on UCLK. See the timing diagrams in Figure 5-10 and Figure 5-11.

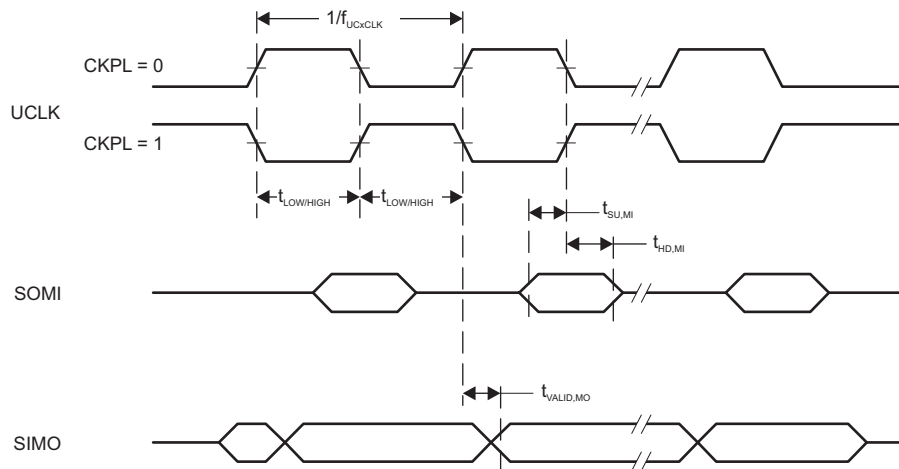


Figure 5-10. SPI Master Mode, CKPH = 0

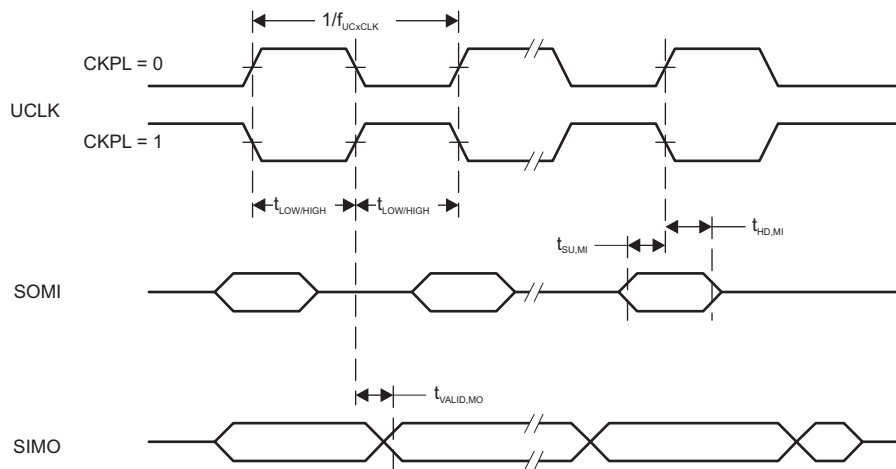


Figure 5-11. SPI Master Mode, CKPH = 1



Table 5-18 lists the switching characteristics of the eUSCI in SPI slave mode.

**Table 5-18. eUSCI (SPI Slave Mode) Switching Characteristics**

over recommended ranges of supply voltage and operating free-air temperature (unless otherwise noted)<sup>(1)</sup>

PARAMETER		TEST CONDITIONS	V <sub>CC</sub>	MIN	MAX	UNIT
t <sub>STE,LEAD</sub>	STE lead time, STE active to clock		2.0 V	55		ns
			3.0 V	45		
t <sub>STE,LAG</sub>	STE lag time, last clock to STE inactive		2.0 V	20		ns
			3.0 V	20		
t <sub>STE,ACC</sub>	STE access time, STE active to SOMI data out		2.0 V		65	ns
			3.0 V		40	
t <sub>STE,DIS</sub>	STE disable time, STE inactive to SOMI high impedance		2.0 V		40	ns
			3.0 V		35	
t <sub>SU,SI</sub>	SIMO input data setup time		2.0 V	8		ns
			3.0 V	6		
t <sub>HD,SI</sub>	SIMO input data hold time		2.0 V	12		ns
			3.0 V	12		
t <sub>VALID,SO</sub>	SOMI output data valid time <sup>(2)</sup>	UCLK edge to SOMI valid, C <sub>L</sub> = 20 pF	2.0 V		68	ns
			3.0 V		42	
t <sub>HD,SO</sub>	SOMI output data hold time <sup>(3)</sup>	C <sub>L</sub> = 20 pF	2.0 V	5		ns
			3.0 V	5		

(1)  $f_{UCxCLK} = 1/2t_{LO/HI}$  with  $t_{LO/HI} \geq \max(t_{VALID,MO(Master)} + t_{SU,SI(eUSCI)}, t_{SU,MI(Master)} + t_{VALID,SO(eUSCI)})$

For the master parameters  $t_{SU,MI(Master)}$  and  $t_{VALID,MO(Master)}$ , see the SPI parameters of the attached master.

- (2) Specifies the time to drive the next valid data to the SOMI output after the output changing UCLK clock edge. See the timing diagrams in [Figure 5-12](#) and [Figure 5-13](#).
- (3) Specifies how long data on the SOMI output is valid after the output changing UCLK clock edge. See the timing diagrams in [Figure 5-12](#) and [Figure 5-13](#).

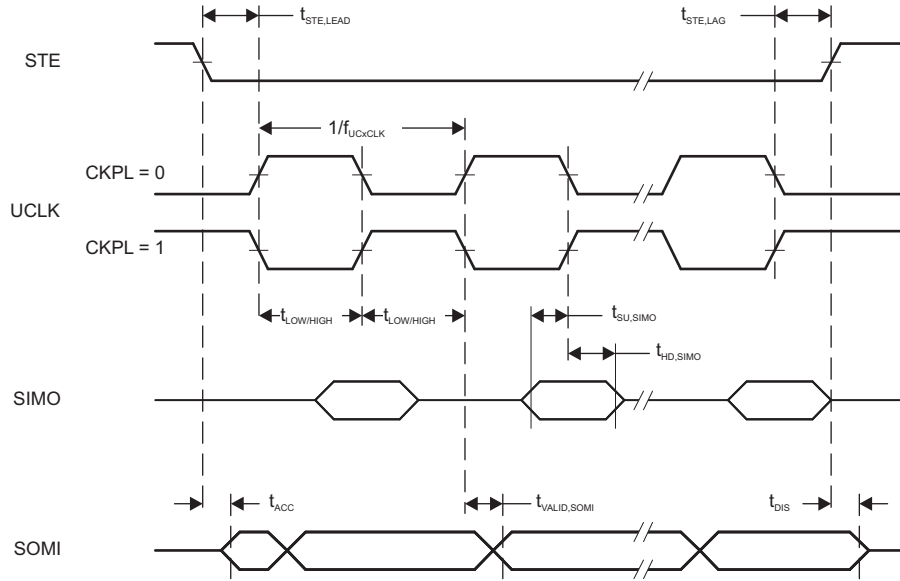


Figure 5-12. SPI Slave Mode, CKPH = 0

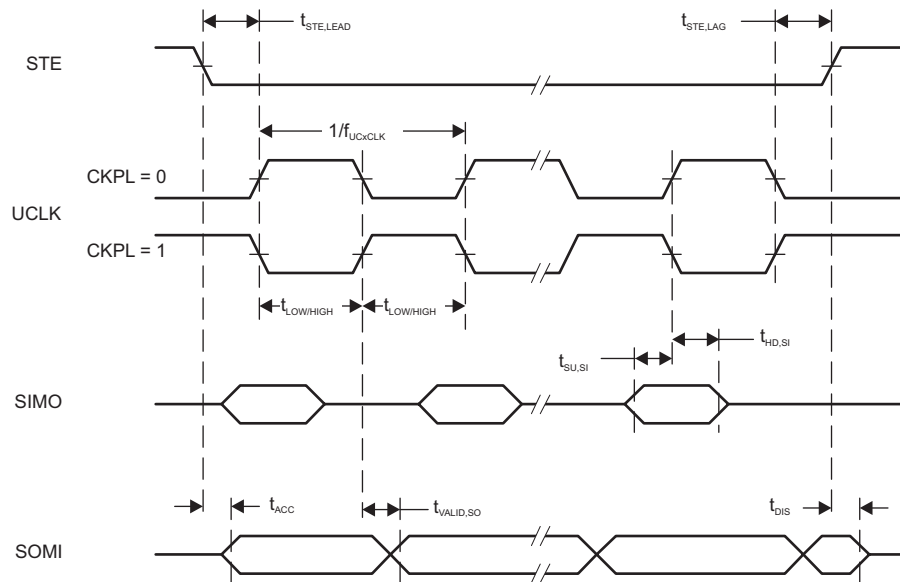


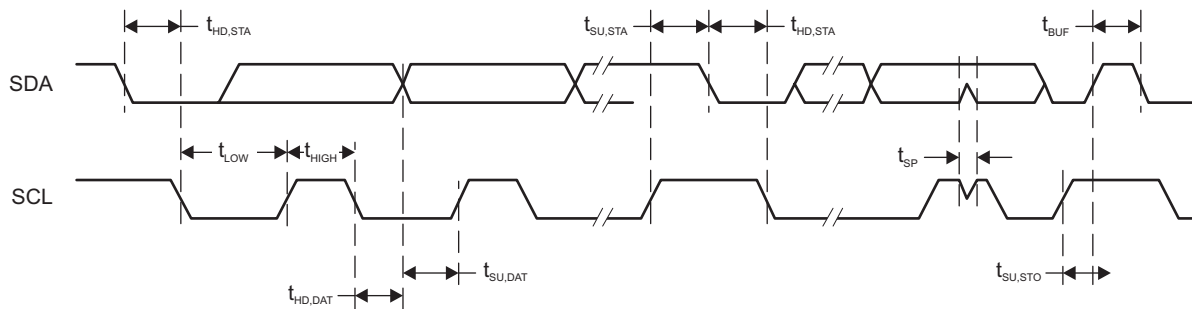
Figure 5-13. SPI Slave Mode, CKPH = 1

Table 5-19 lists the switching characteristics of the eUSCI (I<sup>2</sup>C mode).

**Table 5-19. eUSCI (I<sup>2</sup>C Mode) Switching Characteristics**

over recommended ranges of supply voltage and operating free-air temperature (unless otherwise noted) (see Figure 5-14)

PARAMETER	TEST CONDITIONS	V <sub>CC</sub>	MIN	TYP	MAX	UNIT	
f <sub>eUSCI</sub>	eUSCI input clock frequency				16	MHz	
f <sub>SCL</sub>	SCL clock frequency	2.0 V, 3.0 V	0		400	kHz	
t <sub>HD,STA</sub>	Hold time (repeated) START	f <sub>SCL</sub> = 100 kHz f <sub>SCL</sub> > 100 kHz	2.0 V, 3.0 V	4.0 0.6		μs	
t <sub>SU,STA</sub>	Setup time for a repeated START	f <sub>SCL</sub> = 100 kHz f <sub>SCL</sub> > 100 kHz	2.0 V, 3.0 V	4.7 0.6		μs	
t <sub>HD,DAT</sub>	Data hold time		2.0 V, 3.0 V	0		ns	
t <sub>SU,DAT</sub>	Data setup time		2.0 V, 3.0 V	250		ns	
t <sub>SU,STO</sub>	Setup time for STOP	f <sub>SCL</sub> = 100 kHz f <sub>SCL</sub> > 100 kHz	2.0 V, 3.0 V	4.0 0.6		μs	
t <sub>SP</sub>	Pulse duration of spikes suppressed by input filter	UCGLITx = 0 UCGLITx = 1 UCGLITx = 2 UCGLITx = 3	2.0 V, 3.0 V		50 25 12.5 6.3	600 300 150 75	ns
t <sub>TIMEOUT</sub>	Clock low time-out	UCCLTOx = 1 UCCLTOx = 2 UCCLTOx = 3	2.0 V, 3.0 V		27 30 33		ms



**Figure 5-14. I<sup>2</sup>C Mode Timing**

## 5.12.8 ADC

Table 5-20 lists the characteristics of the ADC power supply and input range conditions.

**Table 5-20. ADC, Power Supply and Input Range Conditions**

over operating free-air temperature range (unless otherwise noted)

PARAMETER		TEST CONDITIONS	V <sub>CC</sub>	MIN	TYP	MAX	UNIT
DV <sub>CC</sub>	ADC supply voltage			2.0		3.6	V
V <sub>(Ax)</sub>	Analog input voltage range	All ADC pins		0		DV <sub>CC</sub>	V
I <sub>ADC</sub>	Operating supply current into DV <sub>CC</sub> terminal, reference current not included, repeat-single-channel mode	f <sub>ADCCLK</sub> = 5 MHz, ADCON = 1, REFON = 0, SHT0 = 0, SHT1 = 0, ADCDIV = 0, ADCCONSEQx = 10b	2 V		185		μA
			3 V		207		
C <sub>I</sub>	Input capacitance	Only one terminal Ax can be selected at one time from the pad to the ADC capacitor array, including wiring and pad	2.2 V		2.5	3.5	pF
R <sub>I,MUX</sub>	Input MUX ON resistance	DV <sub>CC</sub> = 2 V, 0 V ≤ V <sub>Ax</sub> ≤ DV <sub>CC</sub>				2	kΩ
R <sub>I,Misc</sub>	Input miscellaneous resistance				34		kΩ

Table 5-21 lists the ADC 10-bit timing parameters.

**Table 5-21. ADC, 10-Bit Timing Parameters**

over operating free-air temperature range (unless otherwise noted)

PARAMETER		TEST CONDITIONS	V <sub>CC</sub>	MIN	TYP	MAX	UNIT
f <sub>ADCCLK</sub>		For specified performance of ADC linearity parameters	2 V to 3.6 V	0.45	5	5.5	MHz
f <sub>ADCOSC</sub>	Internal ADC oscillator (MODOSC)	ADCDIV = 0, f <sub>ADCCLK</sub> = f <sub>ADCOSC</sub>	2 V to 3.6 V	3.8	4.8	5.8	MHz
t <sub>CONVERT</sub>	Conversion time	REFON = 0, Internal oscillator, 10 ADCCLK cycles, 10-bit mode, f <sub>ADCOSC</sub> = 4.5 MHz to 5.5 MHz	2 V to 3.6 V	2.18		2.67	μs
		External f <sub>ADCCLK</sub> from ACLK, MCLK, or SMCLK, ADCSSEL ≠ 0	2 V to 3.6 V		12 × 1 / f <sub>ADCCLK</sub>		
t <sub>ADCON</sub>	Turn-on settling time of the ADC	The error in a conversion started after t <sub>ADCON</sub> is less than ±0.5 LSB. Reference and input signal are already settled.				100	ns
t <sub>Sample</sub>	Sampling time	R <sub>S</sub> = 1000 Ω, R <sub>I</sub> <sup>(1)</sup> = 36000 Ω, C <sub>I</sub> = 3.5 pF, Approximately 8 Tau (τ) are required for an error of less than ±0.5 LSB <sup>(2)</sup>	2 V	1.5			μs
			3 V	2.0			

(1) R<sub>I</sub> = R<sub>I,MUX</sub> + R<sub>I,Misc</sub>

(2) t<sub>Sample</sub> = ln(2<sup>n+1</sup>) × τ, where n = ADC resolution, τ = (R<sub>I</sub> + R<sub>S</sub>) × C<sub>I</sub>

Table 5-22 lists the ADC 10-bit linearity parameters.

**Table 5-22. ADC, 10-Bit Linearity Parameters**

over operating free-air temperature range (unless otherwise noted)

PARAMETER		TEST CONDITIONS	V <sub>CC</sub>	MIN	TYP	MAX	UNIT
E <sub>I</sub>	Integral linearity error (10-bit mode)	V <sub>ref+</sub> reference	2.4 V to 3.6 V	-2		2	LSB
	Integral linearity error (8-bit mode)		2.0 V to 3.6 V	-2		2	
E <sub>D</sub>	Differential linearity error (10-bit mode)	V <sub>ref+</sub> reference	2.4 V to 3.6 V	-1		1	LSB
	Differential linearity error (8-bit mode)		2.0 V to 3.6 V	-1		1	
E <sub>O</sub>	Offset error (10-bit mode)	V <sub>ref+</sub> reference	2.4 V to 3.6 V	-6.5		6.5	mV
	Offset error (8-bit mode)		2.0 V to 3.6 V	-6.5		6.5	
E <sub>G</sub>	Gain error (10-bit mode)	V <sub>ref+</sub> as reference	2.4 V to 3.6 V	-2.0		2.0	LSB
		Internal 1.5-V reference		-3.0%		3.0%	
	Gain error (8-bit mode)	V <sub>ref+</sub> as reference	2.0 V to 3.6 V	-2.0		2.0	LSB
		Internal 1.5-V reference		-3.0%		3.0%	
E <sub>T</sub>	Total unadjusted error (10-bit mode)	V <sub>ref+</sub> as reference	2.4 V to 3.6 V	-2.0		2.0	LSB
		Internal 1.5-V reference		-3.0%		3.0%	
	Total unadjusted error (8-bit mode)	V <sub>ref+</sub> as reference	2.0 V to 3.6 V	-2.0		2.0	LSB
		Internal 1.5-V reference		-3.0%		3.0%	
V <sub>SENSOR</sub>	See <sup>(1)</sup>	ADCON = 1, INCH = 0Ch, T <sub>A</sub> = 0°C	3 V		913		mV
TC <sub>SENSOR</sub>	See <sup>(2)</sup>	ADCON = 1, INCH = 0Ch	3 V		3.35		mV/°C
t <sub>SENSOR</sub> (sample)	Sample time required if channel 12 is selected <sup>(3)</sup>	ADCON = 1, INCH = 0Ch, Error of conversion result ≤ 1 LSB, AM and all LPMs above LPM3	3 V		30		μs
		ADCON = 1, INCH = 0Ch, Error of conversion result ≤ 1 LSB, LPM3	3 V		100		

- (1) The temperature sensor offset can vary significantly. TI recommends a single-point calibration to minimize the offset error of the built-in temperature sensor.
- (2) The device descriptor structure contains calibration values for 30°C and 85°C for each available reference voltage level. The sensor voltage can be computed as  $V_{SENSE} = TC_{SENSOR} \times (\text{Temperature, } ^\circ\text{C}) + V_{SENSOR}$ , where TC<sub>SENSOR</sub> and V<sub>SENSOR</sub> can be computed from the calibration values for higher accuracy.
- (3) The typical equivalent impedance of the sensor is 700 kΩ. The sample time required includes the sensor on time, t<sub>SENSOR(on)</sub>.

### 5.12.9 Enhanced Comparator (eCOMP)

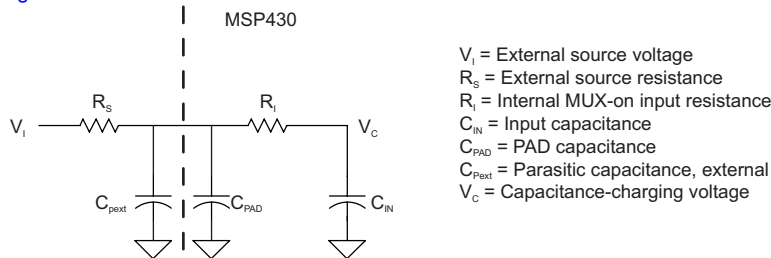
Table 5-23 lists the characteristics of eCOMP0.

**Table 5-23. eCOMP0**

over recommended ranges of supply voltage and operating free-air temperature (unless otherwise noted)

PARAMETER	TEST CONDITIONS	MIN	TYP	MAX	UNIT	
V <sub>CC</sub>	Supply voltage	2.0		3.6	V	
V <sub>IC</sub>	Common-mode input range	0		V <sub>CC</sub>	V	
V <sub>HYS</sub>	DC input hysteresis	CPEN = 1, CPHSEL = 00		0	mV	
		CPEN = 1, CPHSEL = 01		10		
		CPEN = 1, CPHSEL = 10		20		
		CPEN = 1, CPHSEL = 11		30		
V <sub>OFFSET</sub>	Input offset voltage	CPEN = 1, CPMSEL = 0		-30	+30	mV
		CPEN = 1, CPMSEL = 1		-40	+40	
I <sub>COMP</sub>	Quiescent current draw from V <sub>CC</sub> , only comparator	V <sub>IC</sub> = V <sub>CC</sub> / 2, CPEN = 1, CPMSEL = 0		24	35	μA
		V <sub>IC</sub> = V <sub>CC</sub> / 2, CPEN = 1, CPMSEL = 1		1.6	5	
C <sub>IN</sub>	Input channel capacitance <sup>(1)</sup>		1		pF	
R <sub>IN</sub>	Input channel series resistance	On (switch closed)		10	20	kΩ
		Off (switch open)		50		
t <sub>PD</sub>	Propagation delay, response time	CPMSEL = 0, CPFLT = 0, V <sub>IC</sub> = V <sub>CC</sub> / 2, Overdrive = 20 mV			1	μs
		CPMSEL = 1, CPFLT = 0, V <sub>IC</sub> = V <sub>CC</sub> / 2, Overdrive = 20 mV		3.2		
t <sub>EN_CP</sub>	Comparator enable time	CPEN = 0→1, CPMSEL = 0, V+ and V- from pads, Overdrive = 20 mV		8.5		μs
		CPEN = 0→1, CPMSEL = 1, V+ and V- from pads, Overdrive = 20 mV		1.4		
t <sub>EN_CP_DAC</sub>	Comparator with reference DAC enable time	CPEN = 0→1, CPDACEN = 0→1, CPMSEL = 0, CPDACREFS = 1, CPDACBUF1 = 0F, Overdrive = 20 mV		8.5		μs
		CPEN = 0→1, CPDACEN = 0→1, CPMSEL = 1, CPDACREFS = 1, CPDACBUF1 = 0F, Overdrive = 20 mV		101		
t <sub>FDLY</sub>	Propagation delay with analog filter active	CPMSEL = 0, CPFLTDY = 00, Overdrive = 20 mV, CPFLT = 1		0.7		μs
		CPMSEL = 0, CPFLTDY = 01, Overdrive = 20 mV, CPFLT = 1		1.1		
		CPMSEL = 0, CPFLTDY = 10, Overdrive = 20 mV, CPFLT = 1		1.9		
		CPMSEL = 0, CPFLTDY = 11, Overdrive = 20 mV, CPFLT = 1		3.4		
INL	Integral nonlinearity	-0.5		0.5	LSB	
DNL	Differential nonlinearity	-0.5		0.5	LSB	

(1) eCOMP C<sub>IN</sub> model, see Figure 5-15 for details.



**Figure 5-15. eCOMP Input Circuit**

### 5.12.10 Smart Analog Combo (SAC)

Table 5-24 lists the characteristics of SAC0 (SAC-L1, OA).

**Table 5-24. SAC0 (SAC-L1, OA)**

over recommended ranges of supply voltage and operating free-air temperature (unless otherwise noted)

PARAMETER		TEST CONDITIONS	MIN	TYP	MAX	UNIT
$V_{CC}$	Supply voltage		2.0		3.6	V
$V_{OS}$	Input offset voltage		-5		5	mV
$dV_{OS}/dT$	Offset drift	OAPM = 0		3		$\mu V/^{\circ}C$
		OAPM = 1		5		
$I_B$	Input bias current			50		$\mu A$
$V_{CM}$	Input voltage range		-0.1	$V_{CC} + 0.1$		V
$I_{IDD}$	Quiescent current	OAPM = 0		350		$\mu A$
		OAPM = 1		120		
$E_{NI}$	Input noise voltage, f = 0.1 Hz to 10 Hz	$V_{in} = V_{CC} / 2$ , OAPM = 0		40		$\mu V$
	Input noise voltage density, f = 1 kHz	$V_{in} = V_{CC} / 2$ , OAPM = 0		40		$nV/\sqrt{Hz}$
	Input noise voltage, f = 10 kHz	$V_{in} = V_{CC} / 2$ , OAPM = 0		20		
CMRR	Common-mode rejection ratio	OAPM = 0		70		dB
		OAPM = 1		80		
PSRR	Power supply rejection ratio	OAPM = 0		70		dB
		OAPM = 1		80		
GBW	Gain bandwidth	OAPM = 0		4		MHz
		OAPM = 1		1.4		
$A_{OL}$	Open-loop voltage gain	OAPM = 0		100		dB
		OAPM = 1		100		
$\phi_M$	Phase margin	$C_L = 50 \text{ pF}$ , $R_L = 2 \text{ k}\Omega$		65		deg
	Positive slew rate	$C_L = 50 \text{ pF}$ , OAPM = 0		3		V/us
		$C_L = 50 \text{ pF}$ , OAPM = 1		1		
$C_{in}$	Input capacitance	Common mode		2		pF
$V_O$	Voltage output swing from supply rails	$R_L = 10 \text{ k}\Omega$		40	100	mV
$t_{ST}$	OA settling time	To 0.1% final value, G = +1, 1-V setup, $C_L = 50 \text{ pF}$ , OAPM = 0		1		$\mu s$
		To 0.1% final value, G = +1, 1-V setup, $C_L = 50 \text{ pF}$ , OAPM = 1		4.5		

### 5.12.11 Transimpedance Amplifier (TIA)

Table 5-25 lists the characteristics of TIA0.

**Table 5-25. TIA0**

over recommended ranges of supply voltage and operating free-air temperature (unless otherwise noted)

PARAMETER		TEST CONDITIONS	MIN	TYP	MAX	UNIT
$V_{CC}$	Supply voltage		2.0		3.6	V
$V_{OS}$	Input offset voltage		-5		5	mV
$dV_{OS}/dT$	Offset drift	TRIPM = 0		3		$\mu V/^{\circ}C$
		TRIPM = 1		5		
$I_B$	Input bias current	$V_B = 0$ V, TSSOP-16 package with OA-dedicated pin input (see Figure 4-2)		5		pA
		TSSOP-20 and VQFN-16 packages		50		pA
$V_{CM}$	Input voltage range		-0.1		$V_{CC}/2$	V
$I_{DD}$	Quiescent current	TRIPM = 0		350		$\mu A$
		TRIPM = 1		120		
$E_{NI}$	Input noise voltage, $f = 0.1$ Hz to 10 Hz	$V_{in} = V_{CC}/2$ , TRIPM = 0		40		$\mu V$
	Input noise voltage density, $f = 1$ kHz	$V_{in} = V_{CC}/2$ , TRIPM = 0		40		$nV/\sqrt{Hz}$
	Input noise voltage, $f = 10$ kHz	$V_{in} = V_{CC}/2$ , TRIPM = 0		16		
CMRR	Common-mode rejection ratio	TRIPM = 0		80		dB
		TRIPM = 1		70		
PSRR	Power supply rejection ratio	TRIPM = 0		80		dB
		TRIPM = 1		70		
GBW	Gain bandwidth	TRIPM = 0		5		MHz
		TRIPM = 1		1.8		
$A_{OL}$	Open-loop voltage gain	TRIPM = 0		100		dB
		TRIPM = 1		100		
$\phi_M$	Phase margin	$C_L = 50$ pF, $R_L = 2$ k $\Omega$ , TRIPM = 0		40		deg
		$C_L = 50$ pF, $R_L = 2$ k $\Omega$ , TRIPM = 1		70		
	Positive slew rate	$C_L = 50$ pF, TRIPM = 0		4		V/ $\mu s$
		$C_L = 50$ pF, TRIPM = 1		1		
$C_{in}$	Input capacitance	Common mode		7		pF
$V_O$	Voltage output swing from supply rails	$R_L = 10$ k $\Omega$		40	100	mV
$t_{ST}$	TIA settling time	To 0.1% final value, $G = +1$ , 1-V setup, $C_L = 50$ pF, TRIPM = 0		3		$\mu s$
		To 0.1% final value, $G = +1$ , 1-V setup, $C_L = 50$ pF, TRIPM = 1		5		



### 5.12.12 FRAM

Table 5-26 lists the characteristics of the FRAM.

**Table 5-26. FRAM**

over recommended ranges of supply voltage and operating free-air temperature (unless otherwise noted)

PARAMETER		TEST CONDITIONS	MIN	TYP	MAX	UNIT
	Read and write endurance		10 <sup>15</sup>			cycles
t <sub>Retention</sub>	Data retention duration	T <sub>J</sub> = 25°C	100			years
		T <sub>J</sub> = 70°C	40			
		T <sub>J</sub> = 85°C	10			
I <sub>WRITE</sub>	Current to write into FRAM			I <sub>READ</sub> <sup>(1)</sup>		nA
I <sub>ERASE</sub>	Erase current			N/A <sup>(2)</sup>		nA
t <sub>WRITE</sub>	Write time			t <sub>READ</sub> <sup>(3)</sup>		ns
t <sub>READ</sub>	Read time	NWAITSx = 0		1/f <sub>SYSTEM</sub> <sup>(4)</sup>		ns
		NWAITSx = 1		2/f <sub>SYSTEM</sub> <sup>(4)</sup>		

- (1) Writing to FRAM does not require a setup sequence or additional power when compared to reading from FRAM. The FRAM read current I<sub>READ</sub> is included in the active mode current consumption numbers I<sub>AM, FRAM</sub>.
- (2) FRAM does not require a special erase sequence.
- (3) Writing into FRAM is as fast as reading.
- (4) The maximum read (and write) speed is specified by f<sub>SYSTEM</sub> using the appropriate wait state settings (NWAITSx).

### 5.12.13 Emulation and Debug

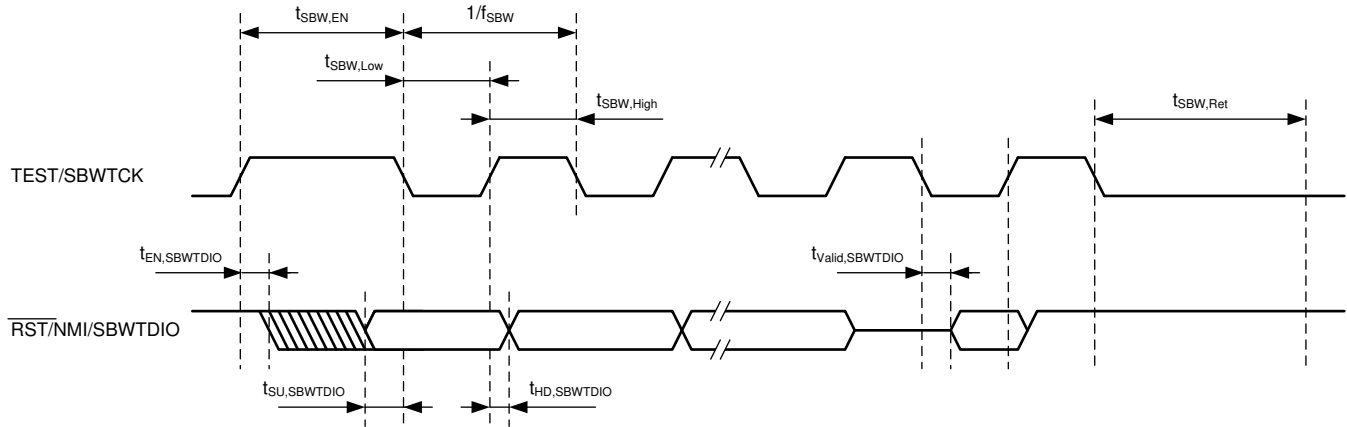
Table 5-27 lists the characteristics of the 2-wire Spy-Bi-Wire interface.

**Table 5-27. JTAG, Spy-Bi-Wire Interface**

over recommended ranges of supply voltage and operating free-air temperature (unless otherwise noted) (see Figure 5-16)

PARAMETER		V <sub>CC</sub>	MIN	TYP	MAX	UNIT
f <sub>SBW</sub>	Spy-Bi-Wire input frequency	2.0 V, 3.0 V	0		8	MHz
t <sub>SBW,Low</sub>	Spy-Bi-Wire low clock pulse duration	2.0 V, 3.0 V	0.028		15	µs
t <sub>SU,SBWTDIO</sub>	SBWTDIO setup time (before falling edge of SBWTCK in TMS and TDI slot Spy-Bi-Wire)	2.0 V, 3.0 V	4			ns
t <sub>HD,SBWTDIO</sub>	SBWTDIO hold time (after rising edge of SBWTCK in TMS and TDI slot Spy-Bi-Wire)	2.0 V, 3.0 V	19			ns
t <sub>Valid,SBWTDIO</sub>	SBWTDIO data valid time (after falling edge of SBWTCK in TDO slot Spy-Bi-Wire)	2.0 V, 3.0 V			31	ns
t <sub>SBW,En</sub>	Spy-Bi-Wire enable time (TEST high to acceptance of first clock edge) <sup>(1)</sup>	2.0 V, 3.0 V			110	µs
t <sub>SBW,Ret</sub>	Spy-Bi-Wire return to normal operation time <sup>(2)</sup>		15		100	µs
R <sub>Internal</sub>	Internal pulldown resistance on TEST	2.0 V, 3.0 V	20	35	50	kΩ

- (1) Tools that access the Spy-Bi-Wire interface must wait for the t<sub>SBW,En</sub> time after pulling the TEST/SBWTCK pin high before applying the first SBWTCK clock edge.
- (2) Maximum t<sub>SBW,Ret</sub> time after pulling or releasing the TEST/SBWTCK pin low, the Spy-Bi-Wire pins revert from their Spy-Bi-Wire function to their application function. This time applies only if the Spy-Bi-Wire mode was selected.



**Figure 5-16. JTAG Spy-Bi-Wire Timing**

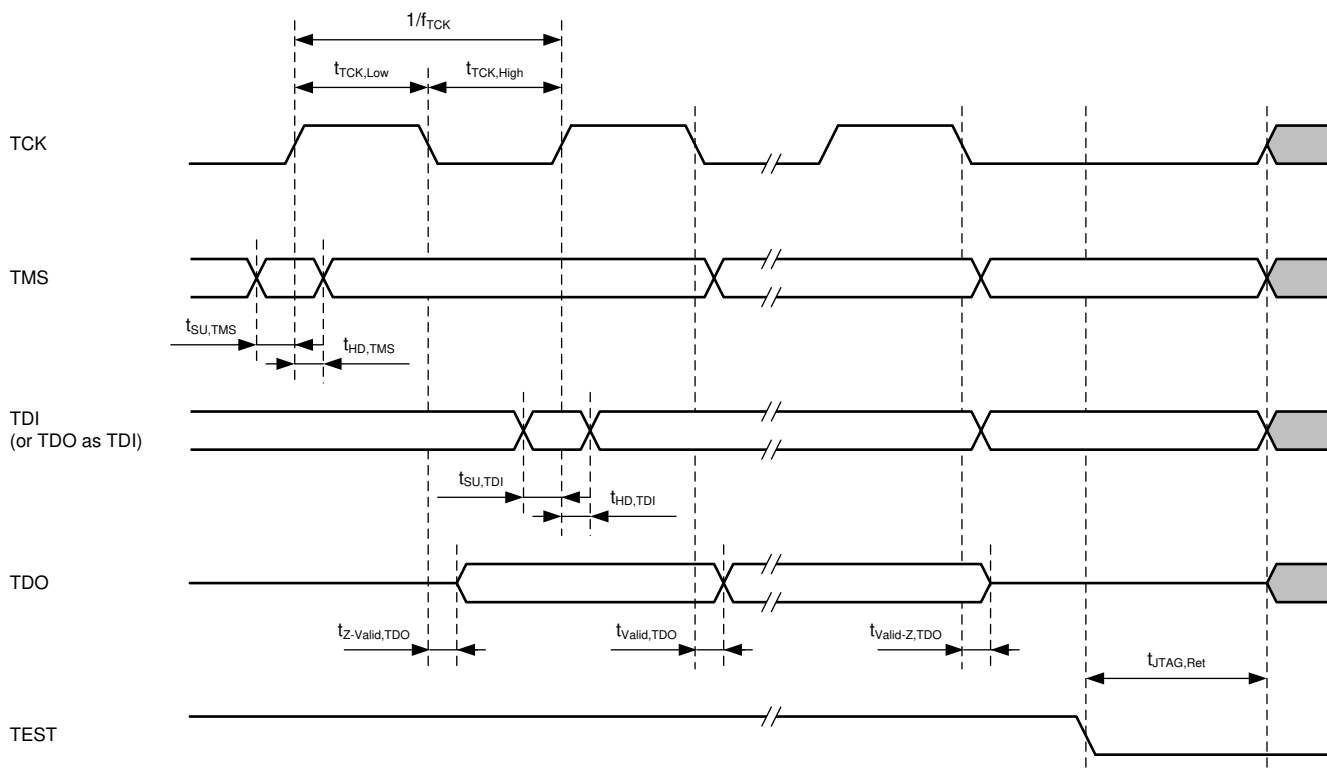
Table 5-28 lists the characteristics of the JTAG 4-wire interface.

**Table 5-28. JTAG, 4-Wire Interface**

over recommended ranges of supply voltage and operating free-air temperature (unless otherwise noted) (see Figure 5-17)

PARAMETER		V <sub>CC</sub>	MIN	TYP	MAX	UNIT
f <sub>TCK</sub>	TCK input frequency <sup>(1)</sup>	2.0 V, 3.0 V	0		10	MHz
t <sub>TCK,Low</sub>	Spy-Bi-Wire low clock pulse duration	2.0 V, 3.0 V	15			ns
t <sub>TCK,high</sub>	Spy-Bi-Wire high clock pulse duration	2.0 V, 3.0 V	15			ns
t <sub>SU,TMS</sub>	TMS setup time (before rising edge of TCK)	2.0 V, 3.0 V	11			ns
t <sub>HD,TMS</sub>	TMS hold time (after rising edge of TCK)	2.0 V, 3.0 V	3			ns
t <sub>SU,TDI</sub>	TDI setup time (before rising edge of TCK)	2.0 V, 3.0 V	13			ns
t <sub>HD,TDI</sub>	TDI hold time (after rising edge of TCK)	2.0 V, 3.0 V	5			ns
t <sub>z-Valid,TDO</sub>	TDO high impedance to valid output time (after falling edge of TCK)	2.0 V, 3.0 V			26	ns
t <sub>Valid,TDO</sub>	TDO to new valid output time (after falling edge of TCK)	2.0 V, 3.0 V			26	ns
t <sub>Valid-Z,TDO</sub>	TDO valid to high-impedance output time (after falling edge of TCK)	2.0 V, 3.0 V			26	ns
t <sub>JTAG,Ret</sub>	Spy-Bi-Wire return to normal operation time		15		100	μs
R <sub>internal</sub>	Internal pulldown resistance on TEST	2.0 V, 3.0 V	20	35	50	kΩ

(1) Tools that access the Spy-Bi-Wire interface must wait for the t<sub>SBW,En</sub> time after pulling the TEST/SBWTCK pin high before applying the first SBWTCK clock edge.



**Figure 5-17. JTAG 4-Wire Timing**

## 6 Detailed Description

### 6.1 Overview

The MSP430FR231x FRAM MCU features a powerful 16-bit RISC CPU, 16-bit registers, and constant generators that contribute to maximum code efficiency. The DCO also allows the device to wake up from low-power modes to active mode typically in less than 10  $\mu$ s. The feature set of this microcontroller is ideal for applications ranging from smoke detectors to portable health and fitness accessories.

### 6.2 CPU

The MSP430 CPU has a 16-bit RISC architecture that is highly transparent to the application. All operations, other than program-flow instructions, are performed as register operations in conjunction with seven addressing modes for source operand and four addressing modes for destination operand.

The CPU is integrated with 16 registers that provide reduced instruction execution time. The register-to-register operation execution time is one cycle of the CPU clock.

Four of the registers, R0 to R3, are dedicated as program counter (PC), stack pointer (SP), status register (SR), and constant generator (CG), respectively. The remaining registers are general-purpose registers.

Peripherals are connected to the CPU using data, address, and control buses, and can be handled with all instructions.

### 6.3 Operating Modes

The MSP430 has one active mode and several software-selectable low-power modes of operation (see [Table 6-1](#)). An interrupt event can wake up the device from low-power mode (LPM0, LPM3, or LPM4), service the request, and restore back to the low-power mode on return from the interrupt program. Low-power modes LPM3.5 and LPM4.5 disable the core supply to minimize power consumption.

**Table 6-1. Operating Modes**

MODE		AM	LPM0	LPM3	LPM4	LPM3.5	LPM4.5
		ACTIVE MODE	CPU OFF	STANDBY	OFF	ONLY RTC COUNTER	SHUTDOWN
Maximum system clock		16 MHz	16 MHz	40 kHz	0	40 kHz	0
Power consumption at 25°C, 3 V		126 $\mu$ A/MHz	40 $\mu$ A/MHz	1.11 $\mu$ A with RTC counter only in LFXT	0.45 $\mu$ A without SVS	0.71 $\mu$ A with RTC counter only in LFXT	32 nA without SVS
Wake-up time		N/A	instant	10 $\mu$ s	10 $\mu$ s	350 $\mu$ s	350 $\mu$ s
Wake-up events		N/A	All	All	I/O	RTC Counter I/O	I/O
Power	Regulator	Full Regulation	Full Regulation	Partial Power Down	Partial Power Down	Partial Power Down	Power Down
	SVS	On	On	Optional	Optional	Optional	Optional
	Brownout	On	On	On	On	On	On

**Table 6-1. Operating Modes (continued)**

MODE		AM	LPM0	LPM3	LPM4	LPM3.5	LPM4.5
		ACTIVE MODE	CPU OFF	STANDBY	OFF	ONLY RTC COUNTER	SHUTDOWN
Clock <sup>(1)</sup>	MCLK	Active	Off	Off	Off	Off	Off
	SMCLK	Optional	Optional	Off	Off	Off	Off
	FLL	Optional	Optional	Off	Off	Off	Off
	DCO	Optional	Optional	Off	Off	Off	Off
	MODCLK	Optional	Optional	Off	Off	Off	Off
	REFO	Optional	Optional	Optional	Off	Off	Off
	ACLK	Optional	Optional	Optional	Off	Off	Off
	XT1HFCLK <sup>(2)</sup>	Optional	Optional	Off	Off	Off	Off
	XT1LFCLK	Optional	Optional	Optional	Off <sup>(3)</sup>	Optional	Off
	VLOCLK	Optional	Optional	Optional	Off <sup>(3)</sup>	Optional	Off
Core	CPU	On	Off	Off	Off	Off	Off
	FRAM	On	On	Off	Off	Off	Off
	RAM	On	On	On	On	Off	Off
	Backup Memory <sup>(4)</sup>	On	On	On	On	On	Off
Peripherals	Timer0_B3	Optional	Optional	Optional	Off	Off	Off
	Timer1_B3	Optional	Optional	Optional	Off	Off	Off
	WDT	Optional	Optional	Optional	Off	Off	Off
	eUSCI_A0	Optional	Optional	Optional	Off	Off	Off
	eUSCI_B0	Optional	Optional	Optional	Off	Off	Off
	CRC	Optional	Optional	Off	Off	Off	Off
	ADC	Optional	Optional	Optional	Off	Off	Off
	eCOMP	Optional	Optional	Optional	Optional	Off	Off
	TIA	Optional	Optional	Optional	Optional	Off	Off
	SAC0	Optional	Optional	Optional	Optional	Off	Off
	RTC Counter	Optional	Optional	Optional	Off	Optional	Off
I/O	General Digital Input/Output	On	Optional	State Held	State Held	State Held	State Held
	Capacitive Touch I/O	Optional	Optional	Optional	Off	Off	Off

(1) The status shown for LPM4 applies to internal clocks only.

(2) HFXT must be disabled before entering into LPM3, LPM4, or LPMx.5 mode.

(3) Refer to following NOTE for details info as below.

(4) Backup memory contains one 32-byte register in the peripheral memory space. See [Table 6-23](#) and [Table 6-38](#) for the memory allocation of backup memory.

#### NOTE

XT1CLK and VLOCLK can be active during LPM4 if requested by low-frequency peripherals.

## 6.4 Interrupt Vector Addresses

The interrupt vectors and the power-up start address are in the address range 0FFFFh to 0FF80h (see [Table 6-2](#)). The vector contains the 16-bit address of the interrupt-handler instruction sequence.

**Table 6-2. Interrupt Sources, Flags, and Vectors**

INTERRUPT SOURCE	INTERRUPT FLAG	SYSTEM INTERRUPT	WORD ADDRESS	PRIORITY
<b>System Reset</b> Power-up, Brownout, Supply Supervisor External Reset RST Watchdog Time-out, Key Violation FRAM uncorrectable bit error detection Software POR, BOR FLL unlock error	SVSHIFG PMMRSTIFG WDTIFG PMMPORIFG, PMMBORIFG SYSRSTIV FLLULPUC	Reset	FFFEh	63, Highest
<b>System NMI</b> Vacant Memory Access JTAG Mailbox FRAM access time error FRAM bit error detection	VMAIFG JMBINIFG, JMBOUTIFG CBDIFG, UBDIFG	(Non)maskable	FFFCh	62
<b>User NMI</b> External NMI Oscillator Fault	NMIIFG OFIFG	(Non)maskable	FFFAh	61
Timer0_B3	TB0CCR0 CCIFG0	Maskable	FFF8h	60
Timer0_B3	TB0CCR1 CCIFG1, TB0CCR2 CCIFG2, TB0IFG (TB0IV)	Maskable	FFF6h	59
Timer1_B3	TB1CCR0 CCIFG0	Maskable	FFF4h	58
Timer1_B3	TB1CCR1 CCIFG1, TB1CCR2 CCIFG2, TB1IFG (TB1IV)	Maskable	FFF2h	57
RTC Counter	RTCIFG	Maskable	FFF0h	56
Watchdog Timer Interval mode	WDTIFG	Maskable	FFEEh	55
eUSCI_A0 Receive or Transmit	UCTXCFIFG, UCSTTIFG, UCRXIFG, UCTXIFG (UART mode) UCRXIFG, UCTXIFG (SPI mode) (UCA0IV))	Maskable	FFECCh	54
eUSCI_B0 Receive or Transmit	UCB0RXIFG, UCB0TXIFG (SPI mode) UCALIFG, UCNACKIFG, UCSTTIFG, UCSTPIFG, UCRXIFG0, UCTXIFG0, UCRXIFG1, UCTXIFG1, UCRXIFG2, UCTXIFG2, UCRXIFG3, UCTXIFG3, UCCNTIFG, UCBIT9IFG, UCCLTOIFG (I <sup>2</sup> C mode) (UCB0IV)	Maskable	FFEAh	53
ADC	ADCIFG0, ADCINIFG, ADCLOIFG, ADCHIIFG, ADCTOVIFG, ADCOVIFG (ADCIV)	Maskable	FFE8h	52
P1	P1IFG.0 to P1IFG.7 (P1IV)	Maskable	FFE6h	51
P2	P2IFG.0 to P2IFG.7 (P2IV) <sup>(1)</sup>	Maskable	FFE4h	50
eCOMP	CPIIFG, CPIFG (CPIV)	Maskable	FFE2h	49
Reserved	Reserved	Maskable	FFE0h to FF88h	

(1) P2.0, P2.1, P2.6, and P2.7 support both pin and software interrupts. Others ports support software interrupts only.

**Table 6-2. Interrupt Sources, Flags, and Vectors (continued)**

INTERRUPT SOURCE	INTERRUPT FLAG	SYSTEM INTERRUPT	WORD ADDRESS	PRIORITY
Signatures	BSL Signature 2		0FF86h	
	BSL Signature 1		0FF84h	
	JTAG Signature 2		0FF82h	
	JTAG Signature 1		0FF80h	

## 6.5 Memory Organization

Table 6-3 summarizes the memory map of the MSP430FR231x MCUs.

**Table 6-3. Memory Organization**

	ACCESS	MSP430FR2311	MSP430FR2310
Memory (FRAM) Main: interrupt vectors and signatures Main: code memory	Read/Write (Optional Write Protect) <sup>(1)</sup>	3.75KB FFFFh to FF80h FFFFh to F100h	2KB FFFFh to FF80h FFFFh to F800h
RAM	Read/Write	1KB 23FFh to 2000h	1KB 23FFh to 2000h
Bootloader (BSL1) Memory (ROM) (TI Internal Use)	Read only	2KB 17FFh to 1000h	2KB 17FFh to 1000h
Bootloader (BSL2) Memory (ROM) (TI Internal Use)	Read only	1KB FFFFFFh to FFC00h	1KB FFFFFFh to FFC00h
Peripherals	Read/Write	4KB 0FFFh to 0000h	4KB 0FFFh to 0000h

(1) The Program FRAM can be write protected by setting the PFWP bit in the SYSCFG0 register. See the *System Resets, Interrupts, and Operating Modes, System Control Module (SYS)* chapter in the *MSP430FR4xx and MSP430FR2xx Family User's Guide* for more details

## 6.6 Bootloader (BSL)

The BSL lets users program the FRAM or RAM using a UART or I<sup>2</sup>C serial interface. Access to the device memory through the BSL is protected by a user-defined password. Use of the BSL requires four pins (see Table 6-4 and Table 6-5). BSL entry requires a specific entry sequence on the  $\overline{\text{RST}}/\text{NMI}/\text{SBWTDIO}$  and  $\text{TEST}/\text{SBWTCK}$  pins.

This device supports blank device detection to automatically invoke the BSL and skip the special entry sequence, which saves time and simplifies onboard programming. For complete description of the features of the BSL and its implementation, see *MSP430 FRAM Device Bootloader (BSL) User's Guide*.

**Table 6-4. UART BSL Pin Requirements and Functions**

DEVICE SIGNAL	BSL FUNCTION
$\overline{\text{RST}}/\text{NMI}/\text{SBWTDIO}$	Entry sequence signal
$\text{TEST}/\text{SBWTCK}$	Entry sequence signal
P1.7	Data transmit
P1.6	Data receive
V <sub>CC</sub>	Power supply
V <sub>SS</sub>	Ground supply

**Table 6-5. I<sup>2</sup>C BSL Pin Requirements and Functions**

DEVICE SIGNAL	BSL FUNCTION
$\overline{\text{RST}}/\text{NMI}/\text{SBWTDIO}$	Entry sequence signal
TEST/SBWTCCK	Entry sequence signal
P1.2	Data receive and transmit
P1.3	Clock
V <sub>CC</sub>	Power supply
VSS	Ground supply

## 6.7 JTAG Standard Interface

The MSP430 family supports the standard JTAG interface which requires four signals for sending and receiving data. The JTAG signals are shared with general-purpose I/O. The TEST/SBWTCCK pin enables the JTAG signals. In addition to these signals, the  $\overline{\text{RST}}/\text{NMI}/\text{SBWTDIO}$  pin interfaces with MSP430 development tools and device programmers. Table 6-6 lists the JTAG pin requirements. For further details on interfacing to development tools and device programmers, see the *MSP430 Hardware Tools User's Guide*.

**Table 6-6. JTAG Pin Requirements and Function**

DEVICE SIGNAL	DIRECTION	JTAG FUNCTION
P1.4/UCA0STE/TCK/OA0+/A4	IN	JTAG clock input
P1.5/UCA0CLK/TMS/TRI00/A5	IN	JTAG state control
P1.6/UCA0RXD/UCA0SOMI/TB0.1/TDI/TCLK/TRI0-/A6	IN	JTAG data input and TCLK input
P1.7/UCA0TXD/UCA0SIMO/TB0.2/TDO/TRI0+/A7/VREF+	OUT	JTAG data output
TEST/SBWTCCK	IN	Enable JTAG pins
$\overline{\text{RST}}/\text{NMI}/\text{SBWTDIO}$	IN	External reset
V <sub>CC</sub>		Power supply
VSS		Ground supply

## 6.8 Spy-Bi-Wire Interface (SBW)

The MSP430 family supports the 2-wire Spy-Bi-Wire interface. Spy-Bi-Wire can be used to interface with MSP430 development tools and device programmers. Table 6-7 lists the Spy-Bi-Wire interface pin requirements. For further details on interfacing to development tools and device programmers, see the *MSP430 Hardware Tools User's Guide*.

**Table 6-7. Spy-Bi-Wire Pin Requirements and Functions**

DEVICE SIGNAL	DIRECTION	SBW FUNCTION
TEST/SBWTCCK	IN	Spy-Bi-Wire clock input
$\overline{\text{RST}}/\text{NMI}/\text{SBWTDIO}$	IN, OUT	Spy-Bi-Wire data input and output
V <sub>CC</sub>	–	Power supply
VSS	–	Ground supply

## 6.9 FRAM

The FRAM can be programmed using the JTAG port, Spy-Bi-Wire (SBW), the BSL, or in system by the CPU. Features of the FRAM include:

- Byte and word access capability
- Programmable wait state generation
- Error correction coding (ECC)



## 6.10 Memory Protection

The device features memory protection of user access authority and write protection include:

- Securing the whole memory map to prevent unauthorized access from JTAG port or BSL, by writing JTAG and BSL signatures using the JTAG port, SBW, the BSL, or in system by the CPU.
- Write protection enabled to prevent unwanted write operation to FRAM contents by setting the control bits with accordingly password in System Configuration register 0. For more detailed information, see the *System Resets, Interrupts, and Operating Modes, System Control Module (SYS)* chapter in the [MSP430FR4xx and MSP430FR2xx Family User's Guide](#).

## 6.11 Peripherals

Peripherals are connected to the CPU through data, address, and control buses. All peripherals can be handled by using all instructions in the memory map. For complete module description, see the [MSP430FR4xx and MSP430FR2xx Family User's Guide](#).

### 6.11.1 Power-Management Module (PMM) and On-chip Reference Voltages

The PMM includes an integrated voltage regulator that supplies the core voltage to the device. The PMM also includes supply voltage supervisor (SVS) and brownout protection. The brownout reset circuit (BOR) is implemented to provide the proper internal reset signal to the device during power on and power off. The SVS circuitry detects if the supply voltage drops below a user-selectable safe level. SVS circuitry is available on the primary supply.

The device contains two on-chip reference: 1.5 V for internal reference and 1.2 V for external reference.

The 1.5-V reference is internally connected to ADC channel 13. DVCC is internally connected to ADC channel 15. When DVCC is set as the reference voltage for ADC conversion, the DVCC can be easily represent as [Equation 1](#) by using ADC sampling 1.5-V reference without any external components support.

$$DVCC = (1023 \times 1.5 \text{ V}) \div 1.5\text{-V reference ADC result} \quad (1)$$

The 1.5-V reference is also internally connected to the Comparator built-in DAC as reference voltage. DVCC is internally connected to another source of DAC reference, and both are controlled by the CPDACREFS bit. For more detailed information, see the *Enhanced Comparator (eCOMP)* chapter of the [MSP430FR4xx and MSP430FR2xx Family User's Guide](#).

A 1.2-V reference voltage can be buffered, when EXTREFEN = 1 on PMMCTL2 register, and it can be output to P1.7/UCA0TXD/UCA0SIMO/TB0.2/TDO/TRI0+/A7/VREF+ , meanwhile the ADC channel 7 can also be selected to monitor this voltage. For more detailed information, see the [MSP430FR4xx and MSP430FR2xx Family User's Guide](#).

### 6.11.2 Clock System (CS) and Clock Distribution

The clock system includes a 32-kHz low-frequency oscillator (XT1 low frequency) or up to a 16-MHz high-frequency crystal oscillator (XT1 high frequency), an internal very low-power low-frequency oscillator (VLO), an integrated 32-kHz RC oscillator (REFO), an integrated internal digitally controlled oscillator (DCO) that can use frequency-locked loop (FLL) locking with internal or external 32-kHz reference clock, and on-chip asynchronous high-speed clock (MODOSC). The clock system is designed to target cost-effective designs with minimal external components. A fail-safe mechanism is designed for XT1. The clock system module offers the following clock signals.

- Main Clock (MCLK): system clock used by the CPU and all relevant peripherals accessed by the bus. All clock sources except MODOSC can be selected as the source with a predivider of 1, 2, 4, 8, 16, 32, 64, or 128.
- Sub-Main Clock (SMCLK): subsystem clock used by the peripheral modules. SMCLK derives from the MCLK with a predivider of 1, 2, 4, or 8. This means SMCLK is always equal to or less than MCLK.
- Auxiliary Clock (ACLK): derived from the external XT1 clock or internal REFO clock up to 40 kHz.

All peripherals may have one or several clock sources depending on specific functionality. [Table 6-8](#) and [Table 6-9](#) show the clock distribution used in this device.

Table 6-8. Clock Distribution

	CLOCK SOURCE SELECT BITS <sup>(1)</sup>	MCLK	SMCLK	ACLK	MODCLK	VLOCLK	EXTERNAL PIN
Frequency Range		DC to 16 MHz	DC to 16 MHz	DC to 40 kHz	5 MHz ±10%	10 kHz ±50%	–
CPU	N/A	Default	–	–	–	–	–
FRAM	N/A	Default	–	–	–	–	–
RAM	N/A	Default	–	–	–	–	–
CRC	N/A	Default	–	–	–	–	–
I/O	N/A	Default	–	–	–	–	–
TB0	TBSSEL	–	10b	01b	–	–	00b (TB0CLK pin)
TB1	TBSSEL	–	10b	01b	–	–	00b (TB1CLK pin)
eUSCI_A0	UCSSEL	–	10b or 11b	01b	–	–	00b (UCA0CLK pin)
eUSCI_B0	UCSSEL	–	10b or 11b	01b	–	–	00b (UCB0CLK pin)
WDT	WDTSEL	–	00b	01b	–	10b	–
ADC	ADCSSEL	–	10b or 11b	01b	00b	–	–
RTC	RTCSS	–	01b <sup>(2)</sup>	01b <sup>(2)</sup>	–	11b	–

(1) N/A = not applicable

(2) Controlled by the RTCCKSEL bit in the SYSCFG2 register.

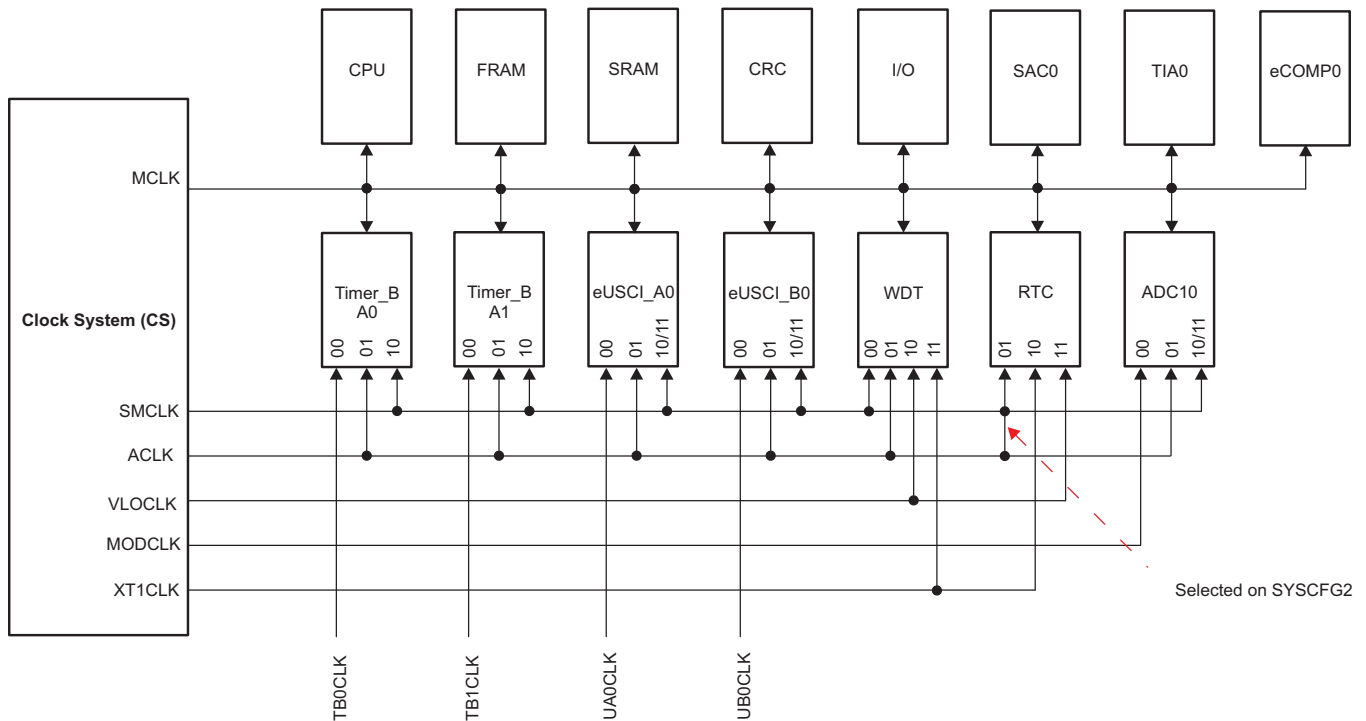


Figure 6-1. Clock Distribution Block Diagram

**Table 6-9. XTCLK Distribution**

OPERATION MODE	CLOCK SOURCE SELECT BITS	XTHFCLK	XTLFCLK	XTLFCLK (LPMx.5)
		AM TO LPM0	AM TO LPM3	AM TO LPM3.5
MCLK	SEMS	10b	10b	10b
SMCLK	SEMS	10b	10b	10b
REFO	SELREF	0b	0b	0b
ACLK	SELA	0b	0b	0b
RTC	RTCSS	–	10b	10b

### 6.11.3 General-Purpose Input/Output Port (I/O)

There are up to 16 I/O ports implemented.

- P1 and P2 are full 8-bit ports.
- All individual I/O bits are independently programmable.
- Any combination of input and output is possible for P1 and P2. All inputs of P1 and four inputs of P2 (P2.0, P2.1, P2.6, P2.7) can be configured for interrupt input.
- Programmable pullup or pulldown on all ports.
- All inputs of P1 and four inputs of P2 (P2.0, P2.1, P2.6, P2.7) can be configured for edge-selectable interrupt and for LPM3.5, LPM4, and LPM4.5 wake-up input capability.
- Read and write access to port-control registers is supported by all instructions.
- Ports can be accessed byte-wise or word-wise in pairs.
- Capacitive Touch I/O functionality is supported on all pins.

#### NOTE

##### Configuration of digital I/Os after BOR reset

To prevent any cross currents during start-up of the device, all port pins are high-impedance with Schmitt triggers and module functions disabled. To enable the I/O functions after a BOR reset, the ports must be configured first and then the LOCKLPM5 bit must be cleared. For details, see the *Configuration After Reset* section in the *Digital I/O* chapter of the [MSP430FR4xx and MSP430FR2xx Family User's Guide](#).

### 6.11.4 Watchdog Timer (WDT)

The primary function of the WDT module is to perform a controlled system restart after a software problem occurs. If the selected time interval expires, a system reset is generated. If the watchdog function is not needed in an application, the module can be configured as interval timer and can generate interrupts at selected time intervals.

**Table 6-10. WDT Clocks**

WDTSEL	NORMAL OPERATION (WATCHDOG AND INTERVAL TIMER MODE)
00	SMCLK
01	ACLK
10	VLOCLK
11	Reserved

### 6.11.5 System Module (SYS)

The SYS module handles many of the system functions within the device. These system functions include power-on reset (POR) and power-up clear (PUC) handling, NMI source selection and management, reset interrupt vector generators, bootloader entry mechanisms, and configuration management (device descriptors) (see [Table 6-11](#)). SYS also includes a data exchange mechanism through SBW called a JTAG mailbox that can be used in the application.

**Table 6-11. System Module Interrupt Vector Registers**

INTERRUPT VECTOR REGISTER	ADDRESS	INTERRUPT EVENT	VALUE	PRIORITY
SYSRSTIV, System Reset	015Eh	No interrupt pending	00h	
		Brownout (BOR)	02h	Highest
		RSTIFG RST/NMI (BOR)	04h	
		PMMSWBOR software BOR (BOR)	06h	
		LPMx.5 wakeup (BOR)	08h	
		Security violation (BOR)	0Ah	
		Reserved	0Ch	
		SVSHIFG SVSH event (BOR)	0Eh	
		Reserved	10h	
		Reserved	12h	
		PMMSWPOR software POR (POR)	14h	
		WDTIFG watchdog time-out (PUC)	16h	
		WDTPW password violation (PUC)	18h	
		FRCTLPW password violation (PUC)	1Ah	
		Uncorrectable FRAM bit error detection	1Ch	
		Peripheral area fetch (PUC)	1Eh	
		PMMPW PMM password violation (PUC)	20h	
		Reserved	22h	
FLL unlock (PUC)	24h			
Reserved	26h to 3Eh	Lowest		
SYSSNIV, System NMI	015Ch	No interrupt pending	00h	
		SVS low-power reset entry	02h	Highest
		Uncorrectable FRAM bit error detection	04h	
		Reserved	06h	
		Reserved	08h	
		Reserved	0Ah	
		Reserved	0Ch	
		Reserved	0Eh	
		Reserved	10h	
		VMAIFG Vacant memory access	12h	
		JMBINIFG JTAG mailbox input	14h	
		JMBOUTIFG JTAG mailbox output	16h	
		Correctable FRAM bit error detection	18h	
		Reserved	1Ah to 1Eh	Lowest
SYSUNIV, User NMI	015Ah	No interrupt pending	00h	
		NMIIFG NMI pin or SVS <sub>H</sub> event	02h	Highest
		OFIFG oscillator fault	04h	
		Reserved	06h to 1Eh	Lowest

### 6.11.6 Cyclic Redundancy Check (CRC)

The 16-bit cyclic redundancy check (CRC) module produces a signature based on a sequence of data values and can be used for data checking purposes. The CRC generation polynomial is compliant with CRC-16-CCITT standard of  $x^{16} + x^{12} + x^5 + 1$ .

### 6.11.7 Enhanced Universal Serial Communication Interface (eUSCI\_A0, eUSCI\_B0)

The eUSCI modules are used for serial data communications. The eUSCI\_A module supports either UART or SPI communications. The eUSCI\_B module supports either SPI or I<sup>2</sup>C communications. In addition, the eUSCI\_A module supports automatic baud-rate detection and IrDA.. The eUSCI\_B module is connected either from P1 port or P2 port, it can be selected from the USCIBRMAP bit of the SYSCFG2 register (see [Table 6-12](#)).

**Table 6-12. eUSCI Pin Configurations**

	PIN	UART	SPI
eUSCI_A0	P1.7	TXD	SIMO
	P1.6	RXD	SOMI
	P1.5	–	SCLK
	P1.4	–	STE
eUSCI_B0	<b>PIN (USCIBRMP = 0)</b>	<b>I<sup>2</sup>C</b>	<b>SPI</b>
	P1.0	–	STE
	P1.1	–	SCLK
	P1.2	SDA	SIMO
	P1.3	SCL	SOMI
	<b>PIN (USCIBRMP = 1)</b>	<b>I<sup>2</sup>C</b>	<b>SPI</b>
	P2.2	–	STE
	P2.3	–	SCLK
	P2.4	SDA	SIMO
	P2.5	SCL	SOMI

### 6.11.8 Timers (Timer0\_B3, Timer1\_B3)

The Timer0\_B3 and Timer1\_B3 modules are 16-bit timers and counters with three capture/compare registers each. Each can support multiple captures or compares, PWM outputs, and interval timing (see [Table 6-13](#) and [Table 6-14](#)). Each has extensive interrupt capabilities. Interrupts may be generated from the counter on overflow conditions and from each of the capture/compare registers. The CCR0 registers on TB0 and TB1 are not externally connected and can be used only for hardware period timing and interrupt generation. In Up mode, they can set the overflow value of the counter.

The interconnection of Timer0\_B3 and Timer1\_B3 can modulate the eUSCI\_A pin of UCA0TXD/UCA0SIMO in either ASK or FSK mode, with which a user can easily acquire a modulated infrared command for directly driving an external IR diode (see [Figure 6-2](#)). The IR functions are fully controlled by the SYS configuration registers including IREN (enable), IRPSEL (polarity select), IRMSEL (mode select), IRDSSEL (data select), and IRDATA (data) bits. For more information, see the *System Resets, Interrupts, and Operating Modes, System Control Module (SYS)* chapter in the [MSP430FR4xx and MSP430FR2xx Family User's Guide](#).

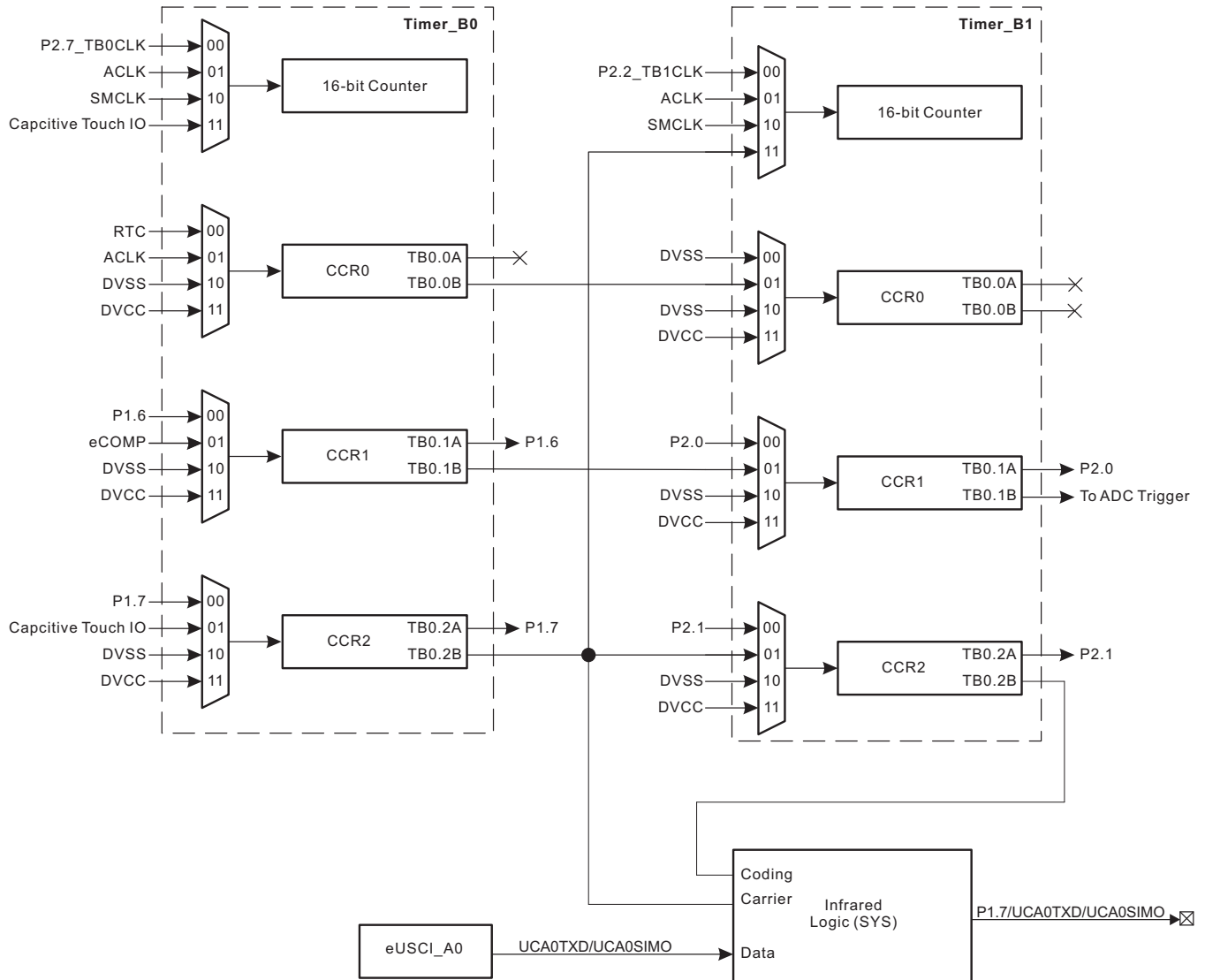


Figure 6-2. Timer\_B Connections

**Table 6-13. Timer0\_B3 Signal Connections**

PORT PIN	DEVICE INPUT SIGNAL	MODULE INPUT NAME	MODULE BLOCK	MODULE OUTPUT SIGNAL	DEVICE OUTPUT SIGNAL
P2.7	TB0CLK	TBCLK	Timer	N/A	
	ACLK (internal)	ACLK			
	SMCLK (internal)	SMCLK			
	From Capacitive Touch I/O (internal)	INCLK			
	From RTC (internal)	CCI0A			
	ACLK (internal)	CCI0B	CCR0	TB0	Timer1_B3 CCI0B input
	DVSS	GND			
	DVCC	V <sub>CC</sub>			
P1.6	TB0.1	CCI1A	CCR1	TB1	TB0.1
	From eCOMP (internal)	CCI1B			Timer1_B3 CCI1B input
	DVSS	GND			
	DVCC	V <sub>CC</sub>			
P1.7	TB0.2	CCI2A	CCR2	TB2	TB0.2
	From Capacitive Touch I/O (internal)	CCI2B			Timer1_B3 INCLK Timer1_B3 CCI2B input, IR input
	DVSS	GND			
	DVCC	V <sub>CC</sub>			

**Table 6-14. Timer1\_B3 Signal Connections**

PORT PIN	DEVICE INPUT SIGNAL	MODULE INPUT NAME	MODULE BLOCK	MODULE OUTPUT SIGNAL	DEVICE OUTPUT SIGNAL
P2.2	TB1CLK	TBCLK	Timer	N/A	
	ACLK (internal)	ACLK			
	SMCLK (internal)	SMCLK			
	Timer0_B3 CCR2B output (internal)	INCLK			
	DVSS	CCI0A			
	Timer0_B3 CCR0B output (internal)	CCI0B	CCR0	TB0	
	DVSS	GND			
	DVCC	V <sub>CC</sub>			
P2.0	TB1.1	CCI1A	CCR1	TB1	TB1.1
	Timer0_B3 CCR1B output (internal)	CCI1B			To ADC trigger
	DVSS	GND			
	DVCC	V <sub>CC</sub>			
P2.1	TB1.2	CCI2A	CCR2	TB2	TB1.2
	Timer0_B3 CCR2B output (internal)	CCI2B			IR input
	DVSS	GND			
	DVCC	V <sub>CC</sub>			



The Timer\_B module includes a feature that puts all Timer\_B outputs into a high-impedance state when the selected source is triggered. The source can be selected from an external pin or an internal signal, and it is controlled by TBxTRG in SYS. For more information, see the *System Resets, Interrupts, and Operating Modes, System Control Module (SYS)* chapter in the *MSP430FR4xx and MSP430FR2xx Family User's Guide*.

Table 6-15 lists the Timer\_B high-impedance trigger source selections.

**Table 6-15. TBxOUTH**

TBxTRGSEL	TBxOUTH TRIGGER SOURCE SELECTION	Timer_B PAD OUTPUT HIGH IMPEDANCE
TB0TRGSEL = 0	eCOMP0 output (internal)	P1.6, P1.7
TB0TRGSEL = 1	P1.2	
TB1TRGSEL = 0	eCOMP0 output (internal)	P2.0, P2.1
TB1TRGSEL = 1	P2.3	

### 6.11.9 Backup Memory (BAKMEM)

The BAKMEM supports data retention during LPM3.5 mode. This device provides up to 32 bytes that are retained during LPM3.5.

### 6.11.10 Real-Time Clock (RTC) Counter

The RTC counter is a 16-bit modulo counter that is functional in AM, LPM0, LPM3, LPM4, and LPM3.5. This module may periodically wake up the CPU from LPM0, LPM3, LPM4, and LPM3.5 based on timing from a low-power clock source such as the XT1, ACLK, or VLO clocks. In AM, RTC can be driven by SMCLK to generate high-frequency timing events and interrupts. ACLK and SMCLK both can source to the RTC, however only one of them can be selected simultaneously. The RTC overflow events trigger:

- Timer0\_B3 CCI0A
- ADC conversion trigger when ADCSHSx bits are set as 01b

### 6.11.11 10-Bit Analog-to-Digital Converter (ADC)

The 10-bit ADC module supports fast 10-bit analog-to-digital conversions with single-ended input. The module implements a 10-bit SAR core, sample select control, a reference generator, and a conversion result buffer. A window comparator with lower and upper limits allows CPU-independent result monitoring with three window comparator interrupt flags.

The ADC supports 10 external inputs and 4 internal inputs (see [Table 6-16](#)).

**Table 6-16. ADC Channel Connections**

ADCINCHx	ADC CHANNELS	EXTERNAL PIN
0	A0/V <sub>ref</sub> +	P1.0
1	A1	P1.1
2	A2/V <sub>ref</sub> -	P1.2
3	A3	P1.3
4	A4	P1.4
5	A5	P1.5
6	A6	P1.6
7	A7 <sup>(1)</sup>	P1.7
8	Not used	N/A
9	Not used	N/A
10	Not used	N/A
11	Not used	N/A
12	On-chip temperature sensor	N/A
13	Reference voltage (1.5 V)	N/A
14	DVSS	N/A
15	DVCC	N/A

(1) When A7 is used, the PMM 1.2-V reference voltage can be output to this pin by setting the PMM control register. The 1.2-V voltage can be measured by the A7 channel.

The analog-to-digital conversion can be started by software or a hardware trigger. [Table 6-17](#) lists the trigger sources that are available.

**Table 6-17. ADC Trigger Signal Connections**

ADC SHSx		TRIGGER SOURCE
BINARY	DECIMAL	
00	0	ADCSC bit (software trigger)
01	1	RTC event
10	2	TB1.1B
11	3	eCOMP0 COUT

### 6.11.12 eCOMP0

The enhanced comparator is an analog voltage comparator with built-in 6-bit DAC as an internal voltage reference. The integrated 6-bit DAC can be set up to 64 steps for comparator reference voltage. This module has 4-level programmable hysteresis and configurable power modes, high power or low power.

eCOMP0 supports external inputs and internal inputs (see [Table 6-18](#)) and outputs (see [Table 6-19](#)).

**Table 6-18. eCOMP0 Input Channel Connections**

CPPSEL, CPNSEL	eCOMP0 CHANNELS	EXTERNAL OR INTERNAL CONNECTION
BINARY		
000	C0	P1.0
001	C1	P1.1
010	Not used	N/A
011	Not used	N/A
100	C4	SAC0, OA00 on positive port TIA0, TRI00 on negative port
101	Not used	N/A
110	C6	Built-in 6-bit DAC

**Table 6-19. eCOMP0 Output Channel Connections**

eCOMP0 OUT	EXTERNAL PIN OUT, MODULE
1	P2.0
2	TB0.1B, TB0 (TB0OUTH), TB1 (TB1OUTH), ADC

### 6.11.13 SAC0

The Smart Analog Combo (SAC) integrates a high-performance low-power operational amplifier. SAC-L1 is integrated in FR231x. SAC-L1 supports only a general-purpose amplifier. For more information, see the *Smart Analog Combo (SAC)* chapter in the *MSP430FR4xx and MSP430FR2xx Family User's Guide*.

SAC0 supports external inputs and internal inputs (see [Table 6-20](#) and [Table 6-21](#)).

**Table 6-20. SAC0 Positive Input Channel Connections**

PSEL	SAC0 CHANNELS	EXTERNAL PIN OUT, MODULE
00	SAC0, OA0 positive channel 1	P1.4
10	SAC0, OA0 positive channel 2	TRI00

**Table 6-21. SAC0 Negative Input Channel Connections**

NSEL	SAC0 CHANNELS	EXTERNAL PIN OUT, MODULE
00	SAC0, OA0 negative channel 1	P1.2
10	Not used	N/A

### 6.11.14 TIA0

The Transimpedance Amplifier (TIA) is a high-performance low-power amplifier with rail-to-rail output. This module is an amplifier that converts current to voltage. It has programmable power modes: high power or low power. For more information, see the *Transimpedance Amplifier (TIA)* chapter in the [MSP430FR4xx and MSP430FR2xx Family User's Guide](#).

The FR231x device in the TSSOP-16 package supports a dedicated low-leakage pad for TIA negative input to support low-leakage performance. In other packages (TSSOP-20 and VQFN-16), the TIA negative port is shared with a GPIO to support the transimpedance amplifier function. For more information, see [Section 4](#) and [Table 5-25](#).

The TIA supports external input (see [Table 6-22](#) and [Section 4](#)).

**Table 6-22. TIA Input Channel Connections**

TRIPSEL	TIA0 CHANNELS	EXTERNAL PIN OUT, MODULE
00	Positive input	P1.7
01	Not used	N/A
10	Not used	N/A
11	Not used	N/A

### 6.11.15 eCOMP0, SAC0, TIA0, and ADC in SOC Interconnection

Figure 6-3 shows how the high-performance analog modules are internally connected.

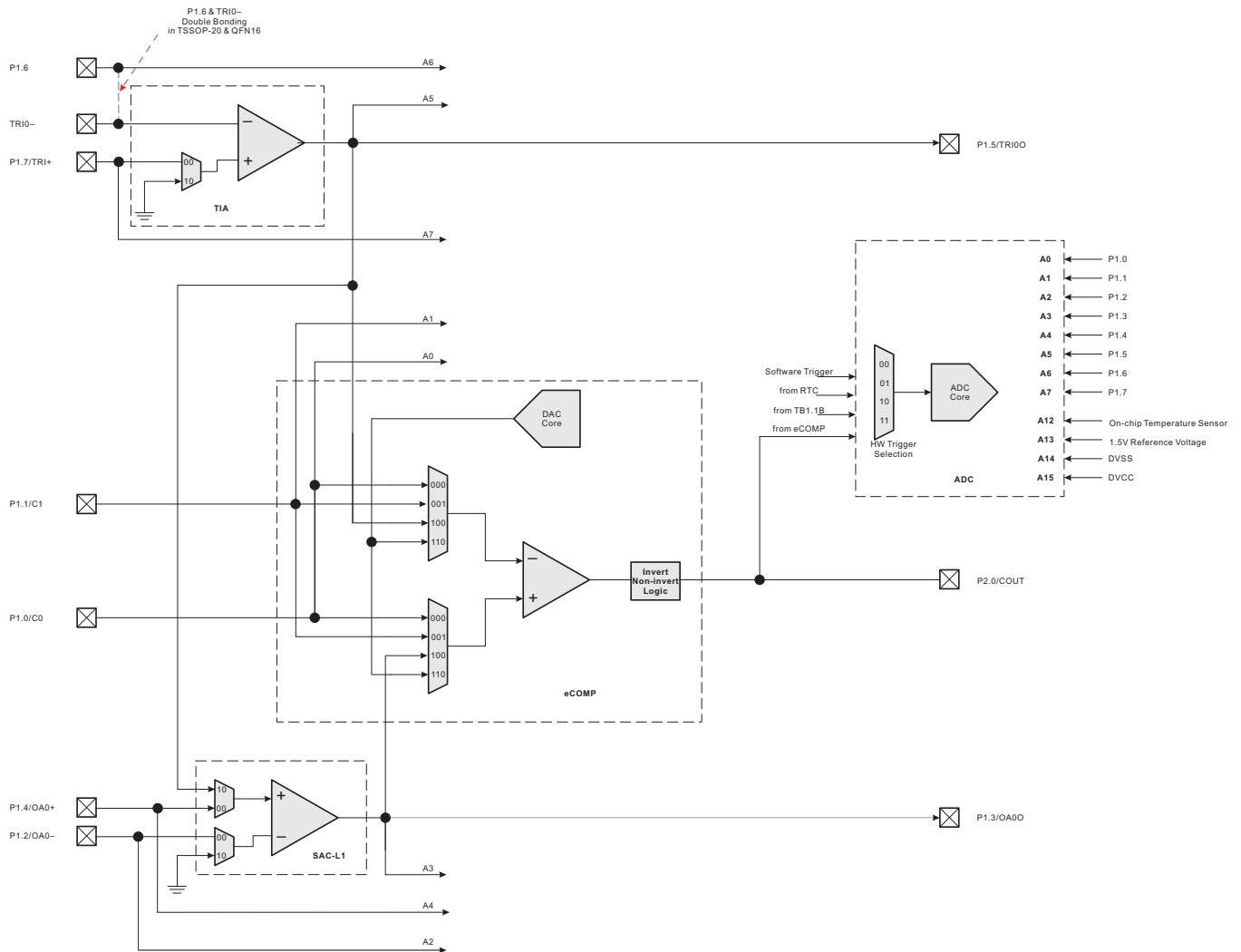


Figure 6-3. High-Performance Analog SOC Interconnection



### 6.11.17 Peripheral File Map

Table 6-23 lists the base address of the registers for each peripheral. Table 6-24 through Table 6-42 list all of the available registers for each peripheral and their address offsets.

**Table 6-23. Peripherals Summary**

MODULE NAME	BASE ADDRESS	SIZE
Special Functions (see Table 6-24)	0100h	0010h
PMM (see Table 6-25)	0120h	0020h
SYS (see Table 6-26)	0140h	0040h
CS (see Table 6-27)	0180h	0020h
FRAM (see Table 6-28)	01A0h	0010h
CRC (see Table 6-29)	01C0h	0008h
WDT (see Table 6-30)	01CCh	0002h
Port P1, P2 (see Table 6-31)	0200h	0020h
Capacitive Touch I/O (see Table 6-32)	02E0h	0010h
RTC (see Table 6-33)	0300h	0010h
Timer0_B3 (see Table 6-34)	0380h	0030h
Timer1_B3 (see Table 6-35)	03C0h	0030h
eUSCI_A0 (see Table 6-36)	0500h	0020h
eUSCI_B0 (see Table 6-37)	0540h	0030h
Backup Memory (see Table 6-38)	0660h	0020h
ADC (see Table 6-39)	0700h	0040h
eCOMP0 (see Table 6-40)	08E0h	0020h
SAC0 (see Table 6-41)	0C80h	0010h
TIA0 (see Table 6-42)	0F00h	0010h

**Table 6-24. Special Function Registers (Base Address: 0100h)**

REGISTER DESCRIPTION	REGISTER	OFFSET
SFR interrupt enable	SFRIE1	00h
SFR interrupt flag	SFRIFG1	02h
SFR reset pin control	SFRRPCR	04h

**Table 6-25. PMM Registers (Base Address: 0120h)**

REGISTER DESCRIPTION	REGISTER	OFFSET
PMM control 0	PMMCTL0	00h
PMM control 1	PMMCTL1	02h
PMM control 2	PMMCTL2	04h
PMM interrupt flags	PMMIFG	0Ah
PM5 control 0	PM5CTL0	10h

**Table 6-26. SYS Registers (Base Address: 0140h)**

REGISTER DESCRIPTION	REGISTER	OFFSET
System control	SYSCTL	00h
Bootloader configuration area	SYSBSLC	02h
JTAG mailbox control	SYSJMBC	06h
JTAG mailbox input 0	SYSJMBI0	08h
JTAG mailbox input 1	SYSJMBI1	0Ah
JTAG mailbox output 0	SYSJMBO0	0Ch

**Table 6-26. SYS Registers (Base Address: 0140h) (continued)**

REGISTER DESCRIPTION	REGISTER	OFFSET
JTAG mailbox output 1	SYSJMBO1	0Eh
User NMI vector generator	SYSUNIV	1Ah
System NMI vector generator	SYSSNIV	1Ch
Reset vector generator	SYSRSTIV	1Eh
System configuration 0	SYSCFG0	20h
System configuration 1	SYSCFG1	22h
System configuration 2	SYSCFG2	24h

**Table 6-27. CS Registers (Base Address: 0180h)**

REGISTER DESCRIPTION	REGISTER	OFFSET
CS control 0	CSCTL0	00h
CS control 1	CSCTL1	02h
CS control 2	CSCTL2	04h
CS control 3	CSCTL3	06h
CS control 4	CSCTL4	08h
CS control 5	CSCTL5	0Ah
CS control 6	CSCTL6	0Ch
CS control 7	CSCTL7	0Eh
CS control 8	CSCTL8	10h

**Table 6-28. FRAM Registers (Base Address: 01A0h)**

REGISTER DESCRIPTION	REGISTER	OFFSET
FRAM control 0	FRCTL0	00h
General control 0	GCCTL0	04h
General control 1	GCCTL1	06h

**Table 6-29. CRC Registers (Base Address: 01C0h)**

REGISTER DESCRIPTION	REGISTER	OFFSET
CRC data input	CRC16DI	00h
CRC data input reverse byte	CRCDIRB	02h
CRC initialization and result	CRCINIRES	04h
CRC result reverse byte	CRCRESR	06h

**Table 6-30. WDT Registers (Base Address: 01CCh)**

REGISTER DESCRIPTION	REGISTER	OFFSET
Watchdog timer control	WDTCTL	00h

**Table 6-31. Port P1, P2 Registers (Base Address: 0200h)**

REGISTER DESCRIPTION	REGISTER	OFFSET
Port P1 input	P1IN	00h
Port P1 output	P1OUT	02h
Port P1 direction	P1DIR	04h
Port P1 pulling enable	P1REN	06h
Port P1 selection 0	P1SEL0	0Ah
Port P1 selection 1	P1SEL1	0Ch
Port P1 interrupt vector word	P1IV	0Eh



**Table 6-31. Port P1, P2 Registers (Base Address: 0200h) (continued)**

REGISTER DESCRIPTION	REGISTER	OFFSET
Port P1 complement selection	P1SELC	16h
Port P1 interrupt edge select	P1IES	18h
Port P1 interrupt enable	P1IE	1Ah
Port P1 interrupt flag	P1IFG	1Ch
Port P2 input	P2IN	01h
Port P2 output	P2OUT	03h
Port P2 direction	P2DIR	05h
Port P2 pulling enable	P2REN	07h
Port P2 selection 0	P2SEL0	0Bh
Port P2 selection 1	P2SEL1	0Dh
Port P2 complement selection	P2SELC	17h
Port P2 interrupt vector word	P2IV	1Eh
Port P2 interrupt edge select	P2IES	19h
Port P2 interrupt enable	P2IE	1Bh
Port P2 interrupt flag	P2IFG	1Dh

**Table 6-32. Capacitive Touch I/O Registers (Base Address: 02E0h)**

REGISTER DESCRIPTION	REGISTER	OFFSET
Capacitive touch I/O 0 control	CAPIO0CTL	0Eh

**Table 6-33. RTC Registers (Base Address: 0300h)**

REGISTER DESCRIPTION	REGISTER	OFFSET
RTC control	RTCCTL	00h
RTC interrupt vector	RTCIV	04h
RTC modulo	RTCMOD	08h
RTC counter	RTCCNT	0Ch

**Table 6-34. Timer0\_B3 Registers (Base Address: 0380h)**

REGISTER DESCRIPTION	REGISTER	OFFSET
TB0 control	TB0CTL	00h
Capture/compare control 0	TB0CCTL0	02h
Capture/compare control 1	TB0CCTL1	04h
Capture/compare control 2	TB0CCTL2	06h
TB0 counter	TB0R	10h
Capture/compare 0	TB0CCR0	12h
Capture/compare 1	TB0CCR1	14h
Capture/compare 2	TB0CCR2	16h
TB0 expansion 0	TB0EX0	20h
TB0 interrupt vector	TB0IV	2Eh

**Table 6-35. Timer1\_B3 Registers (Base Address: 03C0h)**

REGISTER DESCRIPTION	REGISTER	OFFSET
TB1 control	TB1CTL	00h
Capture/compare control 0	TB1CCTL0	02h
Capture/compare control 1	TB1CCTL1	04h
Capture/compare control 2	TB1CCTL2	06h

**Table 6-35. Timer1\_B3 Registers (Base Address: 03C0h) (continued)**

REGISTER DESCRIPTION	REGISTER	OFFSET
TB1 counter	TB1R	10h
Capture/compare 0	TB1CCR0	12h
Capture/compare 1	TB1CCR1	14h
Capture/compare 2	TB1CCR2	16h
TB1 expansion 0	TB1EX0	20h
TB1 interrupt vector	TB1IV	2Eh

**Table 6-36. eUSCI\_A0 Registers (Base Address: 0500h)**

REGISTER DESCRIPTION	REGISTER	OFFSET
eUSCI_A control word 0	UCA0CTLW0	00h
eUSCI_A control word 1	UCA0CTLW1	02h
eUSCI_A control rate 0	UCA0BR0	06h
eUSCI_A control rate 1	UCA0BR1	07h
eUSCI_A modulation control	UCA0MCTLW	08h
eUSCI_A status	UCA0STAT	0Ah
eUSCI_A receive buffer	UCA0RXBUF	0Ch
eUSCI_A transmit buffer	UCA0TXBUF	0Eh
eUSCI_A LIN control	UCA0ABCTL	10h
eUSCI_A IrDA transmit control	IUCA0IRTCTL	12h
eUSCI_A IrDA receive control	IUCA0IRRCTL	13h
eUSCI_A interrupt enable	UCA0IE	1Ah
eUSCI_A interrupt flags	UCA0IFG	1Ch
eUSCI_A interrupt vector word	UCA0IV	1Eh

**Table 6-37. eUSCI\_B0 Registers (Base Address: 0540h)**

REGISTER DESCRIPTION	REGISTER	OFFSET
eUSCI_B control word 0	UCB0CTLW0	00h
eUSCI_B control word 1	UCB0CTLW1	02h
eUSCI_B bit rate 0	UCB0BR0	06h
eUSCI_B bit rate 1	UCB0BR1	07h
eUSCI_B status word	UCB0STATW	08h
eUSCI_B byte counter threshold	UCB0TBCNT	0Ah
eUSCI_B receive buffer	UCB0RXBUF	0Ch
eUSCI_B transmit buffer	UCB0TXBUF	0Eh
eUSCI_B I2C own address 0	UCB0I2COA0	14h
eUSCI_B I2C own address 1	UCB0I2COA1	16h
eUSCI_B I2C own address 2	UCB0I2COA2	18h
eUSCI_B I2C own address 3	UCB0I2COA3	1Ah
eUSCI_B receive address	UCB0ADDRX	1Ch
eUSCI_B address mask	UCB0ADDMASK	1Eh
eUSCI_B I2C slave address	UCB0I2CSA	20h
eUSCI_B interrupt enable	UCB0IE	2Ah
eUSCI_B interrupt flags	UCB0IFG	2Ch
eUSCI_B interrupt vector word	UCB0IV	2Eh

**Table 6-38. Backup Memory Registers (Base Address: 0660h)**

REGISTER DESCRIPTION	REGISTER	OFFSET
Backup memory 0	BAKMEM0	00h
Backup memory 1	BAKMEM1	02h
Backup memory 2	BAKMEM2	04h
Backup memory 3	BAKMEM3	06h
Backup memory 4	BAKMEM4	08h
Backup memory 5	BAKMEM5	0Ah
Backup memory 6	BAKMEM6	0Ch
Backup memory 7	BAKMEM7	0Eh
Backup memory 8	BAKMEM8	10h
Backup memory 9	BAKMEM9	12h
Backup memory 10	BAKMEM10	14h
Backup memory 11	BAKMEM11	16h
Backup memory 12	BAKMEM12	18h
Backup memory 13	BAKMEM13	1Ah
Backup memory 14	BAKMEM14	1Ch
Backup memory 15	BAKMEM15	1Eh

**Table 6-39. ADC Registers (Base Address: 0700h)**

REGISTER DESCRIPTION	REGISTER	OFFSET
ADC control 0	ADCCTL0	00h
ADC control 1	ADCCTL1	02h
ADC control 2	ADCCTL2	04h
ADC window comparator low threshold	ADCLO	06h
ADC window comparator high threshold	ADCHI	08h
ADC memory control 0	ADCMCTL0	0Ah
ADC conversion memory	ADCMEM0	12h
ADC interrupt enable	ADCIE	1Ah
ADC interrupt flags	ADCIFG	1Ch
ADC interrupt vector word	ADCIV	1Eh

**Table 6-40. eCOMP0 Registers (Base Address: 08E0h)**

REGISTER DESCRIPTION	REGISTER	OFFSET
Comparator control 0	CPCTL0	00h
Comparator control 1	CPCTL1	02h
Comparator interrupt	CPINT	06h
Comparator interrupt vector	CPIV	08h
Comparator built-in DAC control	CPDACCTL	10h
Comparator built-in DAC data	CPDACDATA	12h

**Table 6-41. SAC0 Registers (Base Address: 0C80h)**

REGISTER DESCRIPTION	REGISTER	OFFSET
SAC0 OA control	SAC0OA	00h

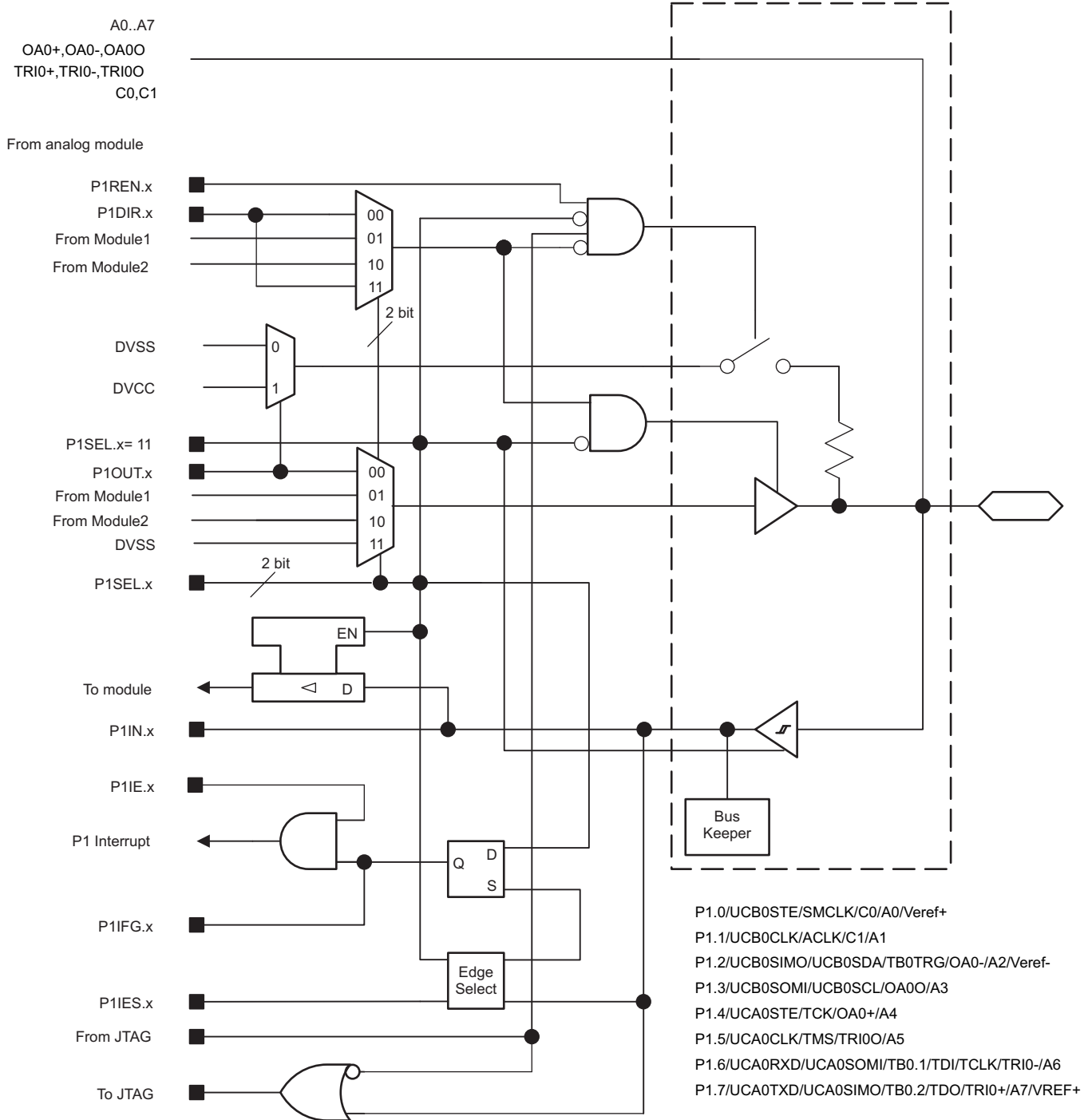
**Table 6-42. TIA0 Registers (Base Address: 0F00h)**

REGISTER DESCRIPTION	REGISTER	OFFSET
TIA control	TRICTL	00h

## 6.12 Input/Output Diagrams

### 6.12.1 Port P1 Input/Output With Schmitt Trigger

Figure 6-5 shows the port diagram. Table 6-43 summarizes the selection of the port functions.



NOTE: Functional representation only.

Figure 6-5. Port P1 Input/Output With Schmitt Trigger

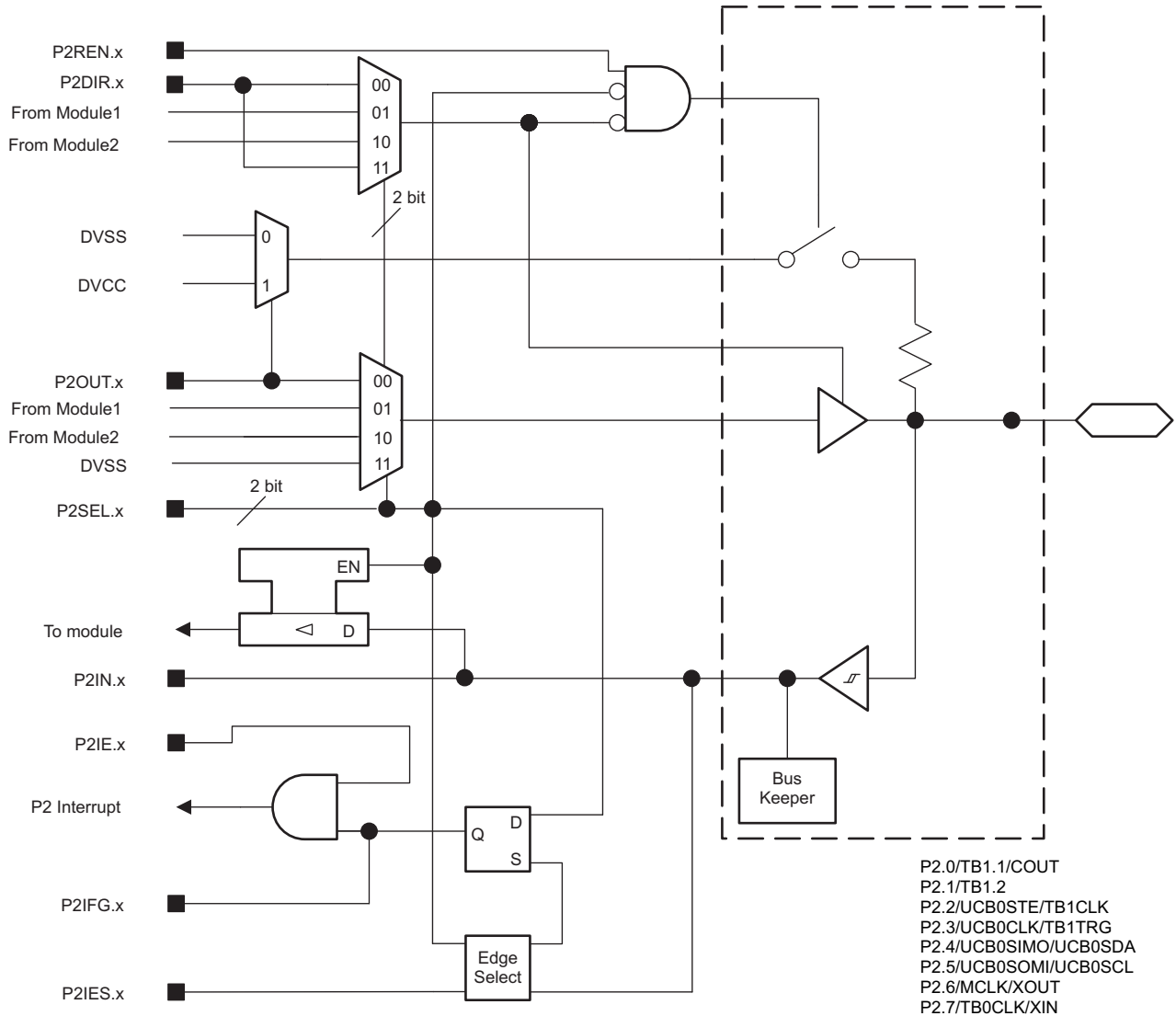
**Table 6-43. Port P1 Pin Functions**

PIN NAME (P1.x)	x	FUNCTION	CONTROL BITS AND SIGNALS <sup>(1)</sup>		
			P1DIR.x	P1SELx	JTAG
P1.0/UCB0STE/SMCLK/ C0/A0/Veref+	0	P1.0 (I/O)	I: 0; O: 1	00	N/A
		UCB0STE	X	01	N/A
		SMCLK	1	10	N/A
		VSS	0		
		C0, A0/Veref+	X	11	N/A
P1.1/UCB0CLK/ACLK/ C1A1	1	P1.1 (I/O)	I: 0; O: 1	0	N/A
		UCB0CLK	X	01	N/A
		ACLK	1	10	N/A
		VSS	0		
		C1, A1	X	11	N/A
P1.2/UCB0SIMO/ UCB0SDA/TB0TRG/ OA0-/A2/Veref-	2	P1.2 (I/O)	I: 0; O: 1	00	N/A
		UCB0SIMO/UCB0SDA	X	01	N/A
		TB0TRG	0	10	N/A
		OA0-, A2/Veref-	X	11	N/A
P1.3/UCB0SOMI/ UCB0SCL/OA00/A3	3	P1.3 (I/O)	I: 0; O: 1	00	N/A
		UCB0SOMI/UCB0SCL	X	01	N/A
		OA00, A3	X	11	N/A
P1.4/UCA0STE/TCK/ OA0+/A4	4	P1.4 (I/O)	I: 0; O: 1	00	Disabled
		UCA0STE	X	01	Disabled
		OA0+, A4	X	11	Disabled
		JTAG TCK	X	X	TCK
P1.5/UCA0CLK/TMS/ TRI00/A5	5	P1.5 (I/O)	I: 0; O: 1	00	Disabled
		UCA0CLK	X	01	Disabled
		TRI00, A5	X	11	Disabled
		JTAG TMS	X	X	TMS
P1.6/UCA0RXD/ UCA0SOMI/TB0.1/TDI/ TCLK/TRI0-/A6	6	P1.6 (I/O)	I: 0; O: 1	00	Disabled
		UCA0RXD/UCA0SOMI	X	01	Disabled
		TB0.CCI1A	0	10	Disabled
		TB0.1	1		
		TRI0-, A6	X	11	Disabled
		JTAG TDI/TCLK	X	X	TDI/TCLK
P1.7/UCA0TXD/ UCA0SIMO/TB0.2/TDO/ TRI0+/A7/VREF+	7	P1.7 (I/O)	I: 0; O: 1	00	Disabled
		UCA0TXD/UCA0SIMO	X	01	Disabled
		TB0.CCI2A	0	10	Disabled
		TB0.2	1		
		TRI0+, A7, VREF+	X	11	Disabled
		JTAG TDO	X	X	TDO

(1) X = don't care

### 6.12.2 Port P2 Input/Output With Schmitt Trigger

Figure 6-6 shows the port diagram. Table 6-44 summarizes the selection of the port functions.



NOTE: Functional representation only.

Figure 6-6. Port P2 Input/Output With Schmitt Trigger

**Table 6-44. Port P2 Pin Functions**

PIN NAME (P2.x)	x	FUNCTION	CONTROL BITS AND SIGNALS <sup>(1)</sup>	
			P2DIR.x	P2SELx
P2.0/TB1.1/COU <sub>T</sub>	0	P2.0 (I/O)	I: 0; O: 1	00
		TB1.CCI1A	0	01
		TB1.1	1	
		COU <sub>T</sub>	1	10
P2.1/TB1.2	1	P2.1 (I/O) <sub>0</sub>	I: 0; O: 1	00
		TB1.CCI2A	0	01
		TB1.2	1	
P2.2/UCB0STE/TB1CLK	2	P2.2 (I/O)	I: 0; O: 1	00
		UCB0STE	X	01
		TB1CLK	0	10
		VSS	1	
P2.3/UCB0CLK/TB1TRG	3	P2.3 (I/O)	I: 0; O: 1	00
		UCB0CLK	X	01
		TB1TRG	0	10
P2.4/UCB0SIMO/UCB0SDA	4	P2.4 (I/O)	I: 0; O: 1	00
		UCB0SIMO/UCB0SDA	X	01
P2.5/UCB0SOMI/UCB0SCL	5	P2.5 (I/O)	I: 0; O: 1	00
		UCB0SOMI/UCB0SCL	X	01
P2.6/MCLK/XOU <sub>T</sub>	6	P2.6 (I/O)	I: 0; O: 1	00
		MCLK	1	01
		VSS	0	
		XOU <sub>T</sub>	X	10
P2.7/TB0CLK/XIN	7	P2.7 (I/O)	I: 0; O: 1	00
		TB0CLK	0	01
		VSS	1	
		XIN	X	10

(1) X = don't care

## 6.13 Device Descriptors (TLV)

Table 6-45 lists the Device IDs of the MSP430FR231x MCU variants. Table 6-46 lists the contents of the device descriptor tag-length-value (TLV) structure for the devices.

**Table 6-45. Device IDs**

DEVICE	DEVICE ID	
	1A04h	1A05h
MSP430FR2311	F0	82
MSP430FR2310	F1	82

**Table 6-46. Device Descriptors**

DESCRIPTION		MSP430FR231x	
		ADDRESS	VALUE
Info block	Info length	1A00h	06h
	CRC length	1A01h	06h
	CRC value <sup>(1)</sup>	1A02h	Per unit
		1A03h	Per unit
	Device ID	1A04h	See Table 6-45.
		1A05h	
	Hardware revision	1A06h	Per unit
Firmware revision	1A07h	Per unit	
Die record	Die record tag	1A08h	08h
	Die record length	1A09h	0Ah
	Lot wafer ID	1A0Ah	Per unit
		1A0Bh	Per unit
		1A0Ch	Per unit
		1A0Dh	Per unit
	Die X position	1A0Eh	Per unit
		1A0Fh	Per unit
	Die Y position	1A10h	Per unit
		1A11h	Per unit
Test result	1A12h	Per unit	
	1A13h	Per unit	
ADC calibration	ADC calibration tag	1A14h	Per unit
	ADC calibration length	1A15h	Per unit
	ADC gain factor	1A16h	Per unit
		1A17h	Per unit
	ADC offset	1A18h	Per unit
		1A19h	Per unit
	ADC 1.5-V reference, temperature 30°C <sup>(2)</sup>	1A1Ah	Per unit
		1A1Bh	Per unit
ADC 1.5-V reference, temperature 85°C <sup>(2)</sup>	1A1Ch	Per unit	
	1A1Dh	Per unit	

(1) The CRC value covers the checksum from 0x1A04h to 0x1A77h by applying CRC-CCITT-16 polynomial of  $X^{16} + X^{12} + X^5 + 1$

(2) TI recommends to do a two-point calibration for the on-chip temperature sensor in precision application.



**Table 6-46. Device Descriptors (continued)**

DESCRIPTION		MSP430FR231x	
		ADDRESS	VALUE
Reference and DCO calibration	Calibration tag	1A1Eh	12h
	Calibration length	1A1Fh	04h
	1.5-V reference factor	1A20h	Per unit
		1A21h	Per unit
	DCO tap settings for 16 MHz, temperature 30°C <sup>(3)</sup>	1A22h	Per unit
1A23h		Per unit	

(3) This value can be directly loaded into the DCO bits in the CSCTL0 register to get an accurate 16-MHz frequency at room temperature, especially when MCU exits from LPM3 and below. TI also suggests using a predivider to decrease the frequency if the temperature drift might result an overshoot above 16 MHz.

## 6.14 Identification

### 6.14.1 Revision Identification

The device revision information is shown as part of the top-side marking on the device package. The device-specific errata sheet describes these markings. For links to all of the errata sheets for the devices in this data sheet, see [§ 8.4](#).

The hardware revision is also stored in the Device Descriptor structure in the Info Block section. For details on this value, see the "Hardware Revision" entries in [Section 6.13](#).

### 6.14.2 Device Identification

The device type can be identified from the top-side marking on the device package. The device-specific errata sheet describes these markings. For links to all of the errata sheets for the devices in this data sheet, see [§ 8.4](#).

A device identification value is also stored in the Device Descriptor structure in the Info Block section. For details on this value, see the "Device ID" entries in [Section 6.13](#).

### 6.14.3 JTAG Identification

Programming through the JTAG interface, including reading and identifying the JTAG ID, is described in detail in the [MSP430 Programming With the JTAG Interface](#).

## 7 Applications, Implementation, and Layout

### NOTE

Information in the following applications sections is not part of the TI component specification, and TI does not warrant its accuracy or completeness. TI's customers are responsible for determining suitability of components for their purposes. Customers should validate and test their implementation to confirm system functionality.

### 7.1 Device Connection and Layout Fundamentals

This section describes the recommended guidelines when designing with the MSP430. These guidelines are to make sure that the device has proper connections for powering, programming, debugging, and optimum analog performance.

#### 7.1.1 Power Supply Decoupling and Bulk Capacitors

TI recommends connecting a combination of a 10- $\mu$ F capacitor and a 100-nF low-ESR ceramic decoupling capacitor to the DVCC pin. Higher-value capacitors may be used but can affect supply rail ramp-up time. Decoupling capacitors must be placed as close as possible to the pins that they decouple (within a few millimeters).

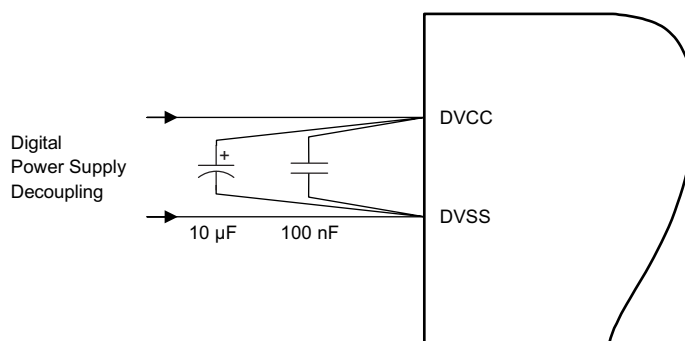


Figure 7-1. Power Supply Decoupling

#### 7.1.2 External Oscillator

Depending on the device variant (see [Table 3-1](#)), the device can support a low-frequency crystal (32 kHz) on the LFXT pins, a high-frequency crystal on the HFXT pins, or both. External bypass capacitors for the crystal oscillator pins are required.

It is also possible to apply digital clock signals to the LFXIN and HFXIN input pins that meet the specifications of the respective oscillator if the appropriate LFXTBYPASS or HFXTBYPASS mode is selected. In this case, the associated LFXOUT and HFXOUT pins can be used for other purposes. If the LFXOUT and HFXOUT pins are left unused, they must be terminated according to [Section 4.6](#).

[Figure 7-2](#) shows a typical connection diagram.

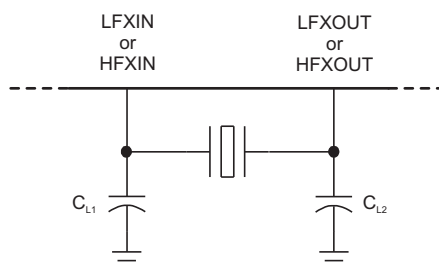


Figure 7-2. Typical Crystal Connection

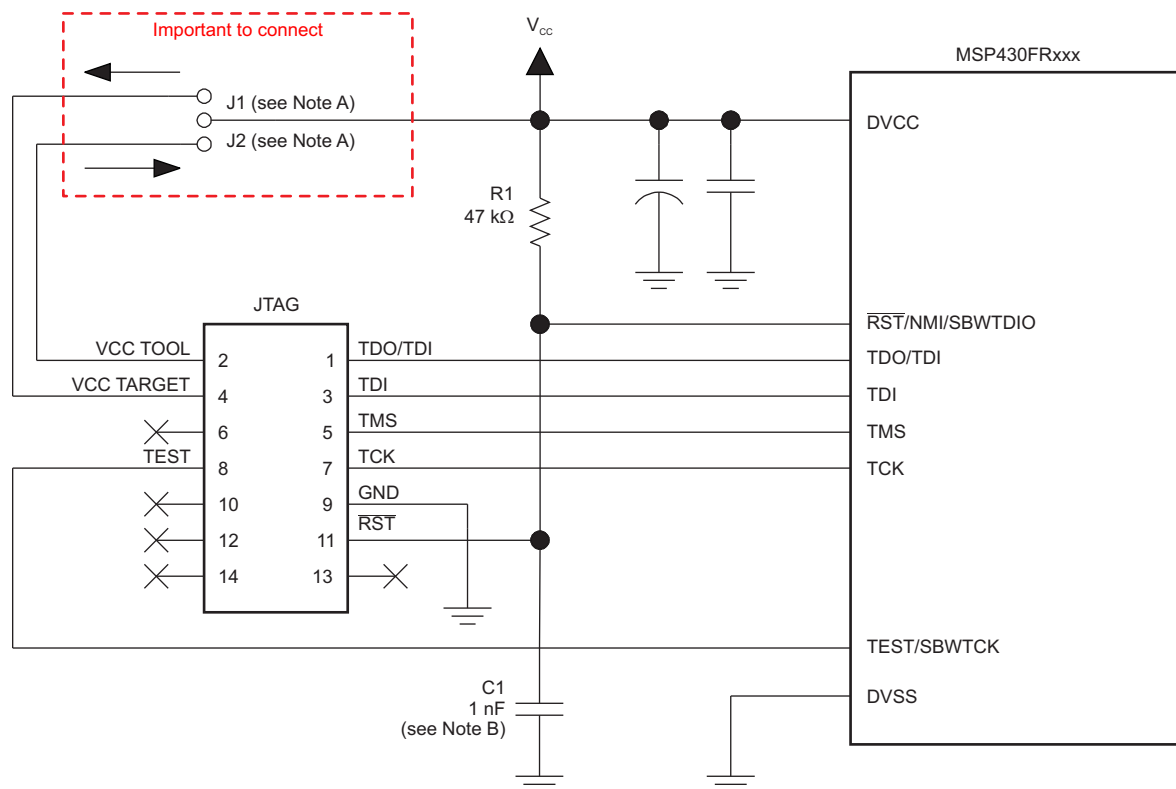
See [MSP430 32-kHz Crystal Oscillators](#) for more information on selecting, testing, and designing a crystal oscillator with the MSP430 devices.

### 7.1.3 JTAG

With the proper connections, the debugger and a hardware JTAG interface (such as the MSP-FET or MSP-FET430UIF) can be used to program and debug code on the target board. In addition, the connections also support the MSP-GANG production programmers, thus providing an easy way to program prototype boards, if desired. [Figure 7-3](#) shows the connections between the 14-pin JTAG connector and the target device required to support in-system programming and debugging for 4-wire JTAG communication. [Figure 7-4](#) shows the connections for 2-wire JTAG mode (Spy-Bi-Wire).

The connections for the MSP-FET and MSP-FET430UIF interface modules and the MSP-GANG are identical. Both can supply  $V_{CC}$  to the target board (through pin 2). In addition, the MSP-FET and MSP-FET430UIF interface modules and MSP-GANG have a  $V_{CC}$  sense feature that, if used, requires an alternate connection (pin 4 instead of pin 2). The  $V_{CC}$ -sense feature detects the local  $V_{CC}$  present on the target board (that is, a battery or other local power supply) and adjusts the output signals accordingly. [Figure 7-3](#) and [Figure 7-4](#) show a jumper block that supports both scenarios of supplying  $V_{CC}$  to the target board. If this flexibility is not required, the desired  $V_{CC}$  connections may be hardwired to eliminate the jumper block. Pins 2 and 4 must not be connected at the same time.

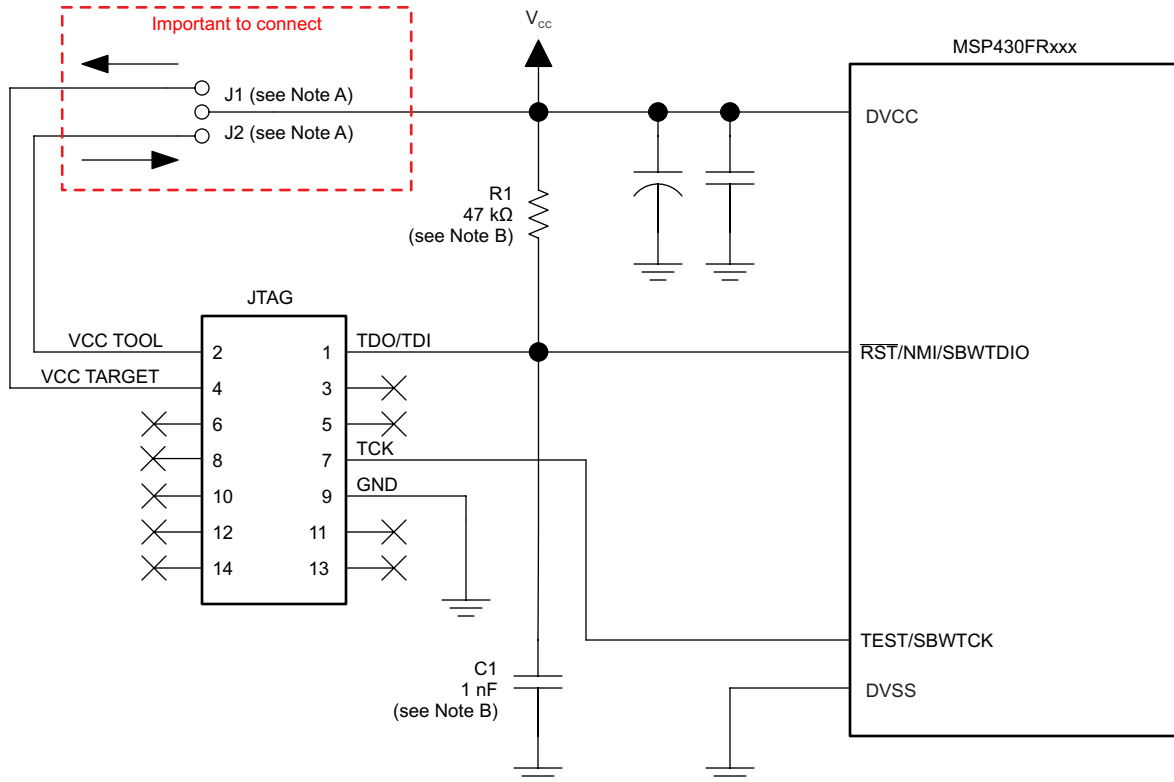
For additional design information regarding the JTAG interface, see the [MSP430 Hardware Tools User's Guide](#).



Copyright © 2016, Texas Instruments Incorporated

- If a local target power supply is used, make connection J1. If power from the debug or programming adapter is used, make connection J2.
- The upper limit for C1 is 1.1 nF when using TI tools. TI recommends a 1-nF capacitor to enable high-speed SBW communication.

**Figure 7-3. Signal Connections for 4-Wire JTAG Communication**



Copyright © 2016, Texas Instruments Incorporated

- Make connection J1 if a local target power supply is used, or make connection J2 if the target is powered from the debug or programming adapter.
- The device  $\overline{\text{RST/NMI/SBWDIO}}$  pin is used in 2-wire mode for bidirectional communication with the device during JTAG access, and any capacitance that is attached to this signal may affect the ability to establish a connection with the device. The upper limit for C1 is 1.1 nF when using TI tools. TI recommends a 1-nF capacitor to enable high-speed SBW communication.

**Figure 7-4. Signal Connections for 2-Wire JTAG Communication (Spy-Bi-Wire)**

### 7.1.4 Reset

The reset pin can be configured as a reset function (default) or as an NMI function in the Special Function Register (SFR), SFRRPCR.

In reset mode, the  $\overline{\text{RST/NMI}}$  pin is active low, and a pulse applied to this pin that meets the reset timing specifications generates a BOR-type device reset.

Setting SYSNMI causes the  $\overline{\text{RST/NMI}}$  pin to be configured as an external NMI source. The external NMI is edge sensitive, and its edge is selectable by SYSNMIIES. Setting the NMIIE enables the interrupt of the external NMI. When an external NMI event occurs, the NMIIFG is set.

The  $\overline{\text{RST/NMI}}$  pin can have either a pullup or pulldown that is enabled or not. SYSRSTUP selects either pullup or pulldown, and SYSRSTRE causes the pullup (default) or pulldown to be enabled (default) or not. If the  $\overline{\text{RST/NMI}}$  pin is unused, it is required either to select and enable the internal pullup or to connect an external 47-k $\Omega$  pullup resistor to the  $\overline{\text{RST/NMI}}$  pin with a 10-nF pulldown capacitor. The pulldown capacitor should not exceed 1.1 nF when using devices with Spy-Bi-Wire interface in Spy-Bi-Wire mode or in 4-wire JTAG mode with TI tools like FET interfaces or GANG programmers.

See the [MSP430FR4xx and MSP430FR2xx Family User's Guide](#) for more information on the referenced control registers and bits.

### 7.1.5 Unused Pins

For details on the connection of unused pins, see [Section 4.6](#).

### 7.1.6 General Layout Recommendations

- Proper grounding and short traces for external crystal to reduce parasitic capacitance. See [MSP430 32-kHz Crystal Oscillators](#) for recommended layout guidelines.
- Proper bypass capacitors on DVCC, AVCC, and reference pins if used.
- Avoid routing any high-frequency signal close to an analog signal line. For example, keep digital switching signals such as PWM or JTAG signals away from the oscillator circuit and ADC signals.
- Proper ESD level protection should be considered to protect the device from unintended high-voltage electrostatic discharge. See [MSP430 System-Level ESD Considerations](#) for guidelines.

### 7.1.7 Do's and Don'ts

During power up, power down, and device operation, the voltage difference between AVCC and DVCC must not exceed the limits specified in the [Absolute Maximum Ratings](#) section. Exceeding the specified limits may cause malfunction of the device including erroneous writes to RAM and FRAM.

## 7.2 Peripheral- and Interface-Specific Design Information

### 7.2.1 ADC Peripheral

#### 7.2.1.1 Partial Schematic

Figure 7-5 shows the recommended decoupling circuit when an external voltage reference is used.

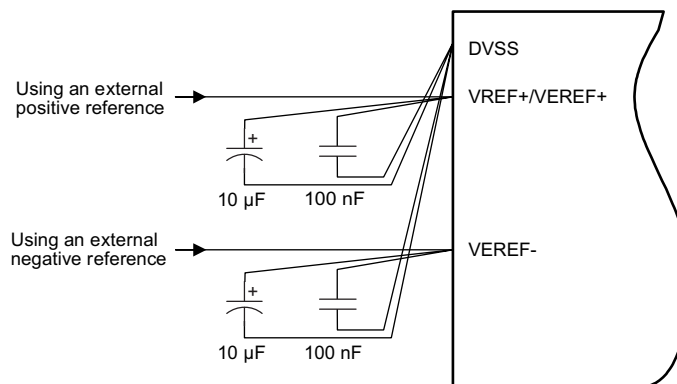


Figure 7-5. ADC Grounding and Noise Considerations

#### 7.2.1.2 Design Requirements

As with any high-resolution ADC, appropriate printed-circuit-board layout and grounding techniques should be followed to eliminate ground loops, unwanted parasitic effects, and noise.

Ground loops are formed when return current from the ADC flows through paths that are common with other analog or digital circuitry. If care is not taken, this current can generate small unwanted offset voltages that can add to or subtract from the reference or input voltages of the ADC. The general guidelines in [Section 7.1.1](#) combined with the connections shown in [Figure 7-5](#) prevent this.

In addition to grounding, ripple and noise spikes on the power-supply lines that are caused by digital switching or switching power supplies can corrupt the conversion result. TI recommends a noise-free design using separate analog and digital ground planes with a single-point connection to achieve high accuracy.

[Figure 7-5](#) shows the recommended decoupling circuit when an external voltage reference is used. The internal reference module has a maximum drive current as described in the sections *ADC Pin Enable* and *1.2-V Reference Settings* of the [MSP430FR4xx and MSP430FR2xx Family User's Guide](#).

The reference voltage must be a stable voltage for accurate measurements. The capacitor values that are selected in the general guidelines filter out the high- and low-frequency ripple before the reference voltage enters the device. In this case, the 10- $\mu$ F capacitor buffers the reference pin and filters any low-frequency ripple. A bypass capacitor of 100 nF filters out any high-frequency noise.

### 7.2.1.3 Layout Guidelines

Components that are shown in the partial schematic (see [Figure 7-5](#)) should be placed as close as possible to the respective device pins to avoid long traces, because they add additional parasitic capacitance, inductance, and resistance on the signal.

Avoid routing analog input signals close to a high-frequency pin (for example, a high-frequency PWM), because the high-frequency switching can be coupled into the analog signal.

## 7.3 Typical Applications

[Table 7-1](#) provides a link to a LaunchPad™ development kit. For the most up-to-date list of available tools and TI Designs, see the device-specific product folders listed in [节 8.5](#).

**Table 7-1. Tools**

NAME	LINK
MSP430FR2311 LaunchPad Development Kit	<a href="http://www.ti.com/tool/MSP-EXP430FR2311">http://www.ti.com/tool/MSP-EXP430FR2311</a>

## 8 器件和文档支持

### 8.1 使用入门

有关可帮助进行开发的 MSP430™ 系列器件、工具和库的更多信息，请查看 [MSP430™ 超低功耗感应和测量 MCU 概述](#)。

### 8.2 器件命名规则

为了标示产品开发周期所处的阶段，TI 为所有 MSP MCU 器件的部件号分配了前缀。每个 MSP MCU 商用系列产品成员都具有以下两个前缀之一：MSP 或 XMS。这些前缀代表了产品开发的发展阶段，即从工程原型 (XMS) 直到完全合格的生产器件 (MSP)。

**XMS** - 实验器件，不一定代表最终器件的电气规格

**MSP** - 完全合格的生产器件

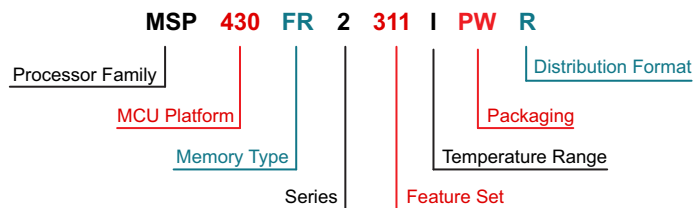
XMS 器件在供货时附带如下免责声明：

“开发中的产品用于内部评估用途。”

MSP 器件的特性已经全部明确，并且器件的质量和可靠性已经完全论证。TI 的标准保修证书对该器件适用。

预测显示原型器件 (XMS) 的故障率大于标准生产器件。由于这些器件的预计最终使用故障率尚不确定，德州仪器 (TI) 建议不要将它们用于任何生产系统。请仅使用合格的生产器件。

TI 器件的命名规则还包括一个带有器件系列名称的后缀。此后缀表示温度范围、封装类型和配送形式。图 8-1 提供了解读完整器件名称的图例。



<b>Processor Family</b>	MSP = Mixed-Signal Processor XMS = Experimental Silicon	
<b>MCU Platform</b>	MSP430 = TI's MSP430 16-Bit Low-Power Microcontroller Platform	
<b>Memory Type</b>	FR = FRAM	
<b>Series</b>	2 = FRAM 2 Series up to 16 MHz without LCD	
<b>Feature Set</b>	<b>First and Second Digits: Smart Analog Combo (SAC) Level / ADC Channels / COMP / 16-bit Timers / I/O</b> 31 = SAC-L1 / Up to 8 / 1 / 2 / Up to 16	<b>Third Digit: FRAM (KB) / SRAM (KB)</b> 1 = 4 / 1 0 = 2 / 1
<b>Temperature Range</b>	I = -40°C to 85°C	
<b>Packaging</b>	www.ti.com/packaging	
<b>Distribution Format</b>	T = Small reel R = Large reel No marking = Tube or tray	

图 8-1. 器件命名规则

### 8.3 工具和软件

表 8-1 列出了这些微控制器支持的调试功能。请参阅《适用于 MSP430 MCU 的 Code Composer Studio IDE 用户指南》，以了解有关可用功能的详细信息。

表 8-1. 硬件特性

MSP430 架构	四线制 JTAG	两线制 JTAG	断点 (N)	范围断点	时钟控制	状态序列发生器	跟踪缓冲器	LPMx.5 调试支持	EEM 版本
MSP430Xv2	有	有	3	有	是	否	否	否	S

#### 设计套件与评估模块

##### MSP430FR2311 LaunchPad 开发套件

MSP-EXP430FR2311 LaunchPad 开发套件是适用于 MSP430FR2311 MCU 的易用型微控制器开发板。它包含了在 MSP430FR2x FRAM 平台上快速开始开发所需要的全部资源，包括用于编程、调试和能量测量的板载仿真。

##### MSP-FET + MSP-TS430PW20 FRAM 微控制器开发套件包

MSP-FET430U20 开发套件包将两种调试工具相结合，支持 MSP430FR23x 微控制器的 20 引脚 PW 封装（例如 MSP430FR2311PW20）。两种工具分别为 MSP-TS430PW20 和 MSP-FET。

##### MSP-TS430PW20 - 适用于 MSP430FR2x MCU 的 20 引脚目标开发板

MSP-TS430PW20 是一款独立的 ZIF 插座目标板，用于通过 JTAG 接口或 Spy-Bi-Wire（两线制 JTAG）协议对 MSP430 MCU 进行系统内编程和调试。该开发板支持所有采用 20 引脚或 16 引脚 TSSOP 封装（TI 封装代码：PW）的 MSP430FR23x 和 MSP430FR21x 闪存器件。

#### 软件

##### MSP430Ware™ 软件

MSP430Ware 软件集合了所有 MSP430 器件的代码示例、数据表以及其他设计资源，打包提供给用户。除了提供已有 MSP430 设计资源的完整集合外，MSP430Ware 软件还包含名为 MSP430 驱动程序库的高级 API。借助该库可以轻松地对 MSP430 硬件进行编程。MSP430Ware 软件以 CCS 组件或独立软件包两种形式提供。

##### MSP430FR231x 代码示例

根据不同应用需求配置各集成外设的每个 MSP 器件均具备相应的 C 代码示例。

##### MSP 驱动程序库

MSP 驱动程序库的抽象 API 提供易用的函数调用，无需直接操纵 MSP430 硬件的位与字节。完整的文档通过具有帮助意义的 API 指南交付，其中包括有关每个函数调用和经过验证的参数的详细信息。开发人员可以使用驱动程序库功能，以最低开销编写完整项目。

##### MSP EnergyTrace™ 技术

适用于 MSP430 微控制器的 EnergyTrace 技术是基于电能的代码分析工具，适用于测量和显示应用的电能系统配置并帮助优化应用以实现超低功耗。



## ULP (超低功耗) Advisor

ULP Advisor™ 软件是一款辅助工具，旨在指导开发人员编写更为高效的代码，从而充分利用 MSP430 和 MSP432 微控制器 独特 功能。ULP Advisor 的目标人群是微控制器的资深开发者和开发新手，可以根据详尽的 ULP 检验表检查代码，以便最大限度地减少应用程序的能耗。在编译时，ULP Advisor 会提供通知和备注以突出显示代码中可以进一步优化的区域，进而实现更低功耗。

### 适用于 MSP 超低功耗微控制器的 FRAM 嵌入式软件实用程序

FRAM 实用程序旨在作为不断扩充的嵌入式软件实用程序集合，其中的实用程序充分利用 FRAM 的超低功耗和近乎无限的写入寿命。这些实用程序适用于 MSP430FRxx FRAM 微控制器并提供示例代码协助应用程序开发。其中的实用程序包含功耗计算实用程序 (CTPL)。CTPL 是一套实用程序 API 集，通过 CTPL 能够轻松使用 LPMx.5 低功耗模式以及强大的关断模式，允许应用程序在检测到功率损耗时节约能耗并恢复关键的系统元件。

### IEC60730 软件包

IEC60730 MSP430 软件包经过专门开发，用于协助客户达到 IEC 60730-1:2010 (家用及类似用途的自动化电气控制 - 第 1 部分: 一般要求) B 类产品的要求。其中涵盖家用电器、电弧检测器、电源转换器、电动工具、电动自行车及其他诸多产品。IEC60730 MSP430 软件包可以嵌入在 MSP430 MCU 中 运行的客户应用，从而帮助客户简化其消费类器件在功能安全方面遵循 IEC 60730-1:2010 B 类规范的认证工作。

### 适用于 MSP 的定点数学库

MSP IQmath 和 Qmath 库是为 C 语言开发者提供的一套经过高度优化的高精度数学运算函数集合，能够将浮点算法无缝嵌入 MSP430 和 MSP432 器件的定点代码中。这些例程通常用于计算密集型实时 应用，而优化的执行速度、高精度以及超低能耗通常是影响这些实时应用的关键因素。与使用浮点数学算法编写的同等代码相比，使用 IQmath 和 Qmath 库可以大幅提高执行速度并显著降低能耗。

### 适用于 MSP430 的浮点数学库

TI 在低功耗和低成本微控制器领域锐意创新，为您提供 MSPMATHLIB。此标量函数的浮点数学库，能够充分利用器件的智能外设，使速度最高达到标准 MSP430 数学函数的 26 倍。Mathlib 能够轻松集成到您的设计中。该运算库免费使用并集成在 Code Composer Studio IDE 和 IAR Embedded Workbench IDE 中。

## 开发工具

### 适用于 MSP 微控制器的 Code Composer Studio™ 集成开发环境

Code Composer Studio (CCS) 集成开发环境 (IDE) 支持所有 MSP 微控制器器件。CCS 包含一整套用于开发和调试嵌入式 应用的工具。它包含了优化的 C/C++ 编译器、源代码编辑器、项目构建环境、调试器、描述器以及其他多种 功能。

### 命令行编程器

MSP Flasher 是一款基于 shell 的开源接口，可使用 JTAG 或 Spy-Bi-Wire (SBW) 通信通过 FET 编程器或 eZ430 对 MSP 微控制器进行编程。MSP Flasher 可用于将二进制文件 (.txt 或 .hex 文件) 直接下载到 MSP 微控制器，而无需使用 IDE。

### MSP MCU 编程器和调试器

MSP-FET 是一款强大的仿真开发工具 (通常称为调试探针)，可帮助用户在 MSP 低功耗微控制器 (MCU) 中快速开发应用。创建 MCU 软件通常需要将生成的二进制程序下载到 MSP 器件中，从而进行验证和调试。

## MSP-GANG 生产编程器

MSP Gang 编程器是一款 MSP430 或 MSP432 器件编程器，可同时对多达八个完全相同的 MSP430 或 MSP432 闪存或 FRAM 器件进行编程。MSP Gang 编程器可使用标准的 RS-232 或 USB 连接与主机 PC 相连并提供灵活的编程选项，允许用户完全自定义流程。

## 8.4 文档支持

以下文档介绍了 MSP430FR231x 微控制器。[www.ti.com.cn](http://www.ti.com.cn) 网站上提供了这些文档的副本。

### 接收文档更新通知

要接收文档更新通知（包括芯片勘误表），请转至 [ti.com.cn](http://ti.com.cn) 上您的器件对应的产品文件夹（请参见节 8.5 获取产品文件夹链接）。请单击右上角的“通知我”按钮。点击注册后，即可收到产品信息更改每周摘要（如有）。有关更改的详细信息，请查阅已修订文档的修订历史记录。

### 勘误

#### 《MSP430FR2311 器件勘误表》

说明了功能规格的已知例外情况。

#### 《MSP430FR2310 器件勘误表》

说明了功能规格的已知例外情况。

### 用户指南

#### 《MSP430FR4xx 和 MSP430FR2xx 系列用户指南》

可说明。

#### 《MSP430 FRAM 器件引导加载程序 (BSL) 用户指南》

MSP430 MCU 上的引导加载程序 (BSL) 允许用户在原型设计、投产和维护等各阶段与 MSP430 MCU 中的嵌入式存储器进行通信。可编程存储器 (FRAM 存储器) 和数据存储器 (RAM) 均可按要求予以修改。

#### 《通过 JTAG 接口对 MSP430 进行编程》

此文档介绍了使用 JTAG 通信端口擦除、编程和验证基于 MSP430 闪存和 FRAM 的微控制器系列的存储器模块所需的功能。此外，该文档还介绍了如何编程所有 MSP430 器件上均具备的 JTAG 访问安全保险丝。此文档介绍了使用标准四线制 JTAG 接口和两线制 JTAG 接口（也称为 Spy-Bi-Wire (SBW)）的器件访问。

#### 《MSP430 硬件工具用户指南》

此手册介绍了 TI MSP-FET430 闪存仿真工具 (FET) 的硬件。FET 是针对 MSP430 超低功耗微控制器的程序开发工具。文中对提供的接口类型，即并行端口接口和 USB 接口进行了说明。

### 应用报告

#### 《MSP430 32kHz 晶体振荡器》

选择合适的晶体、正确的负载电路和适当的电路板布局是实现稳定的晶体振荡器的关键。该应用报告总结了晶体振荡器的功能，并介绍了用于选择合适晶体以实现 MSP430 MCU 超低功耗运行的参数。此外，还给出了正确电路板布局的提示和示例。此外，为了确保振荡器在大规模生产后能够稳定运行，还可能需要进行一些振荡器测试，该文档中提供了有关这些测试的详细信息。

## 《MSP430 系统级 ESD 注意事项》

随着芯片技术向更低电压方向发展以及设计具有成本效益的超低功耗组件的需求的出现，系统级 ESD 要求变得越来越苛刻。该应用报告介绍了不同的 ESD 主题，旨在帮助电路板设计人员和 OEM 理解并设计出稳健耐用的系统级设计。另外还介绍了若干实际应用系统级 ESD 保护设计示例及其结果。

## 8.5 相关链接

表 8-2 列出了快速访问链接。类别包括技术文档、支持与社区资源、工具与软件，以及申请样片或购买产品的快速链接。

表 8-2. 相关链接

器件	产品文件夹	立即订购	技术文档	工具与软件	支持和社区
MSP430FR2311	<a href="#">请单击此处</a>	<a href="#">请单击此处</a>	<a href="#">请单击此处</a>	<a href="#">请单击此处</a>	<a href="#">请单击此处</a>
MSP430FR2310	<a href="#">请单击此处</a>	<a href="#">请单击此处</a>	<a href="#">请单击此处</a>	<a href="#">请单击此处</a>	<a href="#">请单击此处</a>

## 8.6 社区资源

下列链接提供到 TI 社区资源的连接。链接的内容由各个分销商“按照原样”提供。这些内容并不构成 TI 技术规范，并且不一定反映 TI 的观点；请参见 TI 的《使用条款》。

### TI E2E™ 社区

TI 的工程师交流 (E2E) 社区。此社区的创建目的是为了促进工程师之间协作。在 [e2e.ti.com](http://e2e.ti.com) 中，您可以提问、共享知识、拓展思路，在同领域工程师的帮助下解决问题。

### TI 嵌入式处理器维基网页

德州仪器 (TI) 嵌入式处理器维基网页。此网站的建立是为了帮助开发人员熟悉德州仪器 (TI) 的嵌入式处理器，并且也为了促进与这些器件相关的硬件和软件的总体知识的创新和增长。

## 8.7 商标

LaunchPad, MSP430, MSP430Ware, Code Composer Studio, E2E, EnergyTrace, ULP Advisor, 适用于 MSP 微控制器的 Code Composer Studio are trademarks of Texas Instruments.  
All other trademarks are the property of their respective owners.

## 8.8 静电放电警告



ESD 可能会损坏该集成电路。德州仪器 (TI) 建议通过适当的预防措施处理所有集成电路。如果不遵守正确的处理措施和安装程序，可能会损坏集成电路。

ESD 的损坏小至导致微小的性能降级，大至整个器件故障。精密的集成电路可能更容易受到损坏，这是因为非常细微的参数更改都可能会导致器件与其发布的规格不相符。

## 8.9 Glossary

**TI Glossary** This glossary lists and explains terms, acronyms, and definitions.

## 9 机械、封装和可订购信息

以下页面包含机械、封装和可订购信息。这些信息是指定器件的最新可用数据。这些数据会在无通知且不对本文档进行修订的情况下发生改变。欲获得该数据表的浏览器版本，请查阅左侧的导航栏。

**PACKAGING INFORMATION**

Orderable Device	Status (1)	Package Type	Package Drawing	Pins	Package Qty	Eco Plan (2)	Lead finish/ Ball material (6)	MSL Peak Temp (3)	Op Temp (°C)	Device Marking (4/5)	Samples
MSP430FR2310IPW16	ACTIVE	TSSOP	PW	16	90	RoHS & Green	NIPDAU	Level-2-260C-1 YEAR	-40 to 85	FR2310	<a href="#">Samples</a>
MSP430FR2310IPW16R	ACTIVE	TSSOP	PW	16	2000	RoHS & Green	NIPDAU	Level-2-260C-1 YEAR	-40 to 85	FR2310	<a href="#">Samples</a>
MSP430FR2310IPW20	ACTIVE	TSSOP	PW	20	70	RoHS & Green	NIPDAU	Level-2-260C-1 YEAR	-40 to 85	FR2310	<a href="#">Samples</a>
MSP430FR2310IPW20R	ACTIVE	TSSOP	PW	20	2000	RoHS & Green	NIPDAU	Level-2-260C-1 YEAR	-40 to 85	FR2310	<a href="#">Samples</a>
MSP430FR2310IRGYR	ACTIVE	VQFN	RGY	16	3000	RoHS & Green	NIPDAU	Level-2-260C-1 YEAR	-40 to 85	FR2310	<a href="#">Samples</a>
MSP430FR2310IRGYT	ACTIVE	VQFN	RGY	16	250	RoHS & Green	NIPDAU	Level-2-260C-1 YEAR	-40 to 85	FR2310	<a href="#">Samples</a>
MSP430FR2311IPW16	ACTIVE	TSSOP	PW	16	90	RoHS & Green	NIPDAU	Level-2-260C-1 YEAR	-40 to 85	FR2311	<a href="#">Samples</a>
MSP430FR2311IPW16R	ACTIVE	TSSOP	PW	16	2000	RoHS & Green	NIPDAU	Level-2-260C-1 YEAR	-40 to 85	FR2311	<a href="#">Samples</a>
MSP430FR2311IPW20	ACTIVE	TSSOP	PW	20	70	RoHS & Green	NIPDAU	Level-2-260C-1 YEAR	-40 to 85	FR2311	<a href="#">Samples</a>
MSP430FR2311IPW20R	ACTIVE	TSSOP	PW	20	2000	RoHS & Green	NIPDAU	Level-2-260C-1 YEAR	-40 to 85	FR2311	<a href="#">Samples</a>
MSP430FR2311IRGYR	ACTIVE	VQFN	RGY	16	3000	RoHS & Green	NIPDAU	Level-2-260C-1 YEAR	-40 to 85	FR2311	<a href="#">Samples</a>
MSP430FR2311IRGYT	ACTIVE	VQFN	RGY	16	250	RoHS & Green	NIPDAU	Level-2-260C-1 YEAR	-40 to 85	FR2311	<a href="#">Samples</a>

(1) The marketing status values are defined as follows:

**ACTIVE:** Product device recommended for new designs.

**LIFEBUY:** TI has announced that the device will be discontinued, and a lifetime-buy period is in effect.

**NRND:** Not recommended for new designs. Device is in production to support existing customers, but TI does not recommend using this part in a new design.

**PREVIEW:** Device has been announced but is not in production. Samples may or may not be available.

**OBSOLETE:** TI has discontinued the production of the device.

(2) **RoHS:** TI defines "RoHS" to mean semiconductor products that are compliant with the current EU RoHS requirements for all 10 RoHS substances, including the requirement that RoHS substance do not exceed 0.1% by weight in homogeneous materials. Where designed to be soldered at high temperatures, "RoHS" products are suitable for use in specified lead-free processes. TI may reference these types of products as "Pb-Free".

**RoHS Exempt:** TI defines "RoHS Exempt" to mean products that contain lead but are compliant with EU RoHS pursuant to a specific EU RoHS exemption.

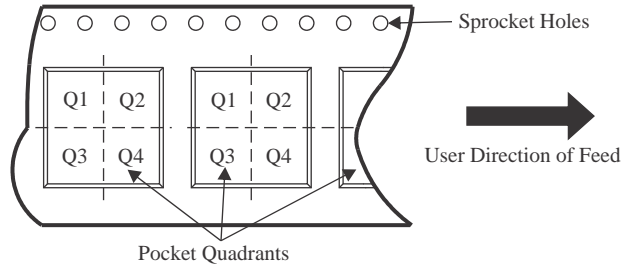
**Green:** TI defines "Green" to mean the content of Chlorine (Cl) and Bromine (Br) based flame retardants meet JS709B low halogen requirements of <=1000ppm threshold. Antimony trioxide based flame retardants must also meet the <=1000ppm threshold requirement.

- (3) MSL, Peak Temp. - The Moisture Sensitivity Level rating according to the JEDEC industry standard classifications, and peak solder temperature.
- (4) There may be additional marking, which relates to the logo, the lot trace code information, or the environmental category on the device.
- (5) Multiple Device Markings will be inside parentheses. Only one Device Marking contained in parentheses and separated by a "~" will appear on a device. If a line is indented then it is a continuation of the previous line and the two combined represent the entire Device Marking for that device.
- (6) Lead finish/Ball material - Orderable Devices may have multiple material finish options. Finish options are separated by a vertical ruled line. Lead finish/Ball material values may wrap to two lines if the finish value exceeds the maximum column width.

**Important Information and Disclaimer:**The information provided on this page represents TI's knowledge and belief as of the date that it is provided. TI bases its knowledge and belief on information provided by third parties, and makes no representation or warranty as to the accuracy of such information. Efforts are underway to better integrate information from third parties. TI has taken and continues to take reasonable steps to provide representative and accurate information but may not have conducted destructive testing or chemical analysis on incoming materials and chemicals. TI and TI suppliers consider certain information to be proprietary, and thus CAS numbers and other limited information may not be available for release.

In no event shall TI's liability arising out of such information exceed the total purchase price of the TI part(s) at issue in this document sold by TI to Customer on an annual basis.

**TAPE AND REEL INFORMATION**

**QUADRANT ASSIGNMENTS FOR PIN 1 ORIENTATION IN TAPE**


\*All dimensions are nominal

Device	Package Type	Package Drawing	Pins	SPQ	Reel Diameter (mm)	Reel Width W1 (mm)	A0 (mm)	B0 (mm)	K0 (mm)	P1 (mm)	W (mm)	Pin1 Quadrant
MSP430FR2310IPW16R	TSSOP	PW	16	2000	330.0	12.4	6.9	5.6	1.6	8.0	12.0	Q1
MSP430FR2310IPW20R	TSSOP	PW	20	2000	330.0	16.4	6.95	7.1	1.6	8.0	16.0	Q1
MSP430FR2310IRGYR	VQFN	RGY	16	3000	330.0	12.4	3.8	4.3	1.5	8.0	12.0	Q1
MSP430FR2310IRGYT	VQFN	RGY	16	250	180.0	12.4	3.8	4.3	1.5	8.0	12.0	Q1
MSP430FR2311IPW16R	TSSOP	PW	16	2000	330.0	12.4	6.9	5.6	1.6	8.0	12.0	Q1
MSP430FR2311IPW20R	TSSOP	PW	20	2000	330.0	16.4	6.95	7.1	1.6	8.0	16.0	Q1
MSP430FR2311IRGYR	VQFN	RGY	16	3000	330.0	12.4	3.8	4.3	1.5	8.0	12.0	Q1
MSP430FR2311IRGYT	VQFN	RGY	16	250	180.0	12.4	3.8	4.3	1.5	8.0	12.0	Q1

**TAPE AND REEL BOX DIMENSIONS**


\*All dimensions are nominal

Device	Package Type	Package Drawing	Pins	SPQ	Length (mm)	Width (mm)	Height (mm)
MSP430FR2310IPW16R	TSSOP	PW	16	2000	350.0	350.0	43.0
MSP430FR2310IPW20R	TSSOP	PW	20	2000	350.0	350.0	43.0
MSP430FR2310IRGYR	VQFN	RGY	16	3000	367.0	367.0	35.0
MSP430FR2310IRGYT	VQFN	RGY	16	250	210.0	185.0	35.0
MSP430FR2311IPW16R	TSSOP	PW	16	2000	350.0	350.0	43.0
MSP430FR2311IPW20R	TSSOP	PW	20	2000	350.0	350.0	43.0
MSP430FR2311IRGYR	VQFN	RGY	16	3000	367.0	367.0	35.0
MSP430FR2311IRGYT	VQFN	RGY	16	250	210.0	185.0	35.0



**TUBE**


\*All dimensions are nominal

Device	Package Name	Package Type	Pins	SPQ	L (mm)	W (mm)	T (μm)	B (mm)
MSP430FR2310IPW16	PW	TSSOP	16	90	530	10.2	3600	3.5
MSP430FR2310IPW20	PW	TSSOP	20	70	530	10.2	3600	3.5
MSP430FR2311IPW16	PW	TSSOP	16	90	530	10.2	3600	3.5
MSP430FR2311IPW20	PW	TSSOP	20	70	530	10.2	3600	3.5

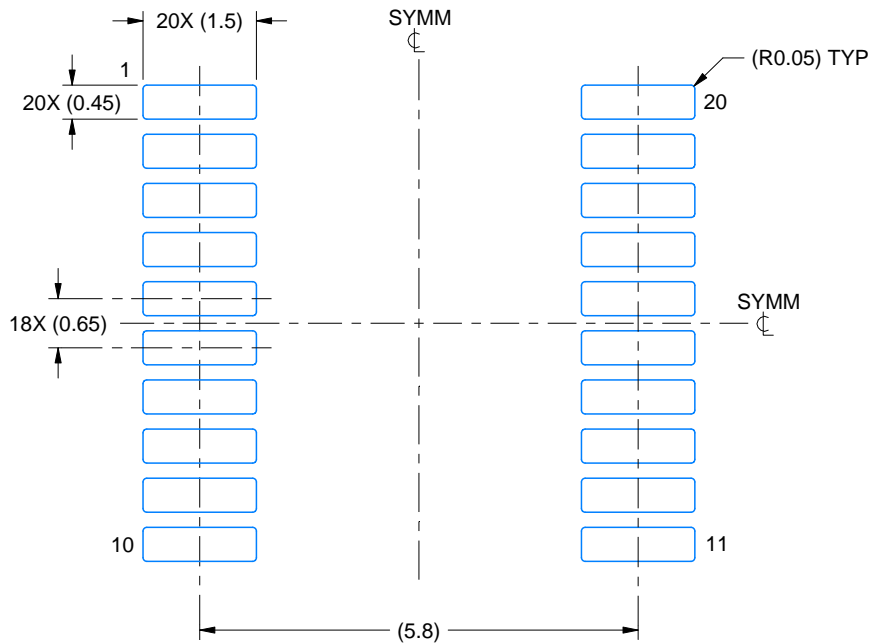


# EXAMPLE BOARD LAYOUT

PW0020A

TSSOP - 1.2 mm max height

SMALL OUTLINE PACKAGE



LAND PATTERN EXAMPLE  
EXPOSED METAL SHOWN  
SCALE: 10X



SOLDER MASK DETAILS

4220206/A 02/2017

NOTES: (continued)

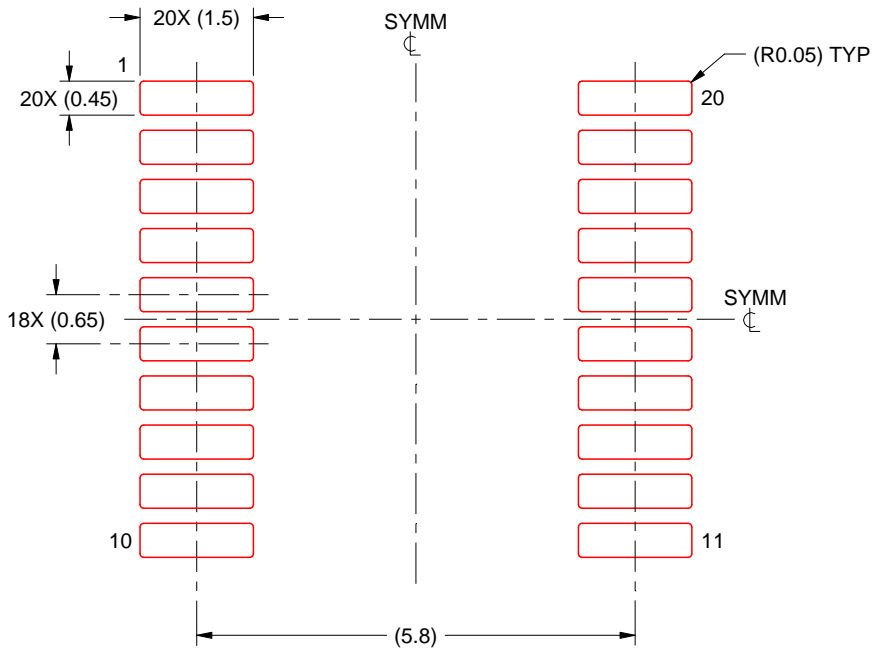
- 6. Publication IPC-7351 may have alternate designs.
- 7. Solder mask tolerances between and around signal pads can vary based on board fabrication site.

# EXAMPLE STENCIL DESIGN

PW0020A

TSSOP - 1.2 mm max height

SMALL OUTLINE PACKAGE



SOLDER PASTE EXAMPLE  
BASED ON 0.125 mm THICK STENCIL  
SCALE: 10X

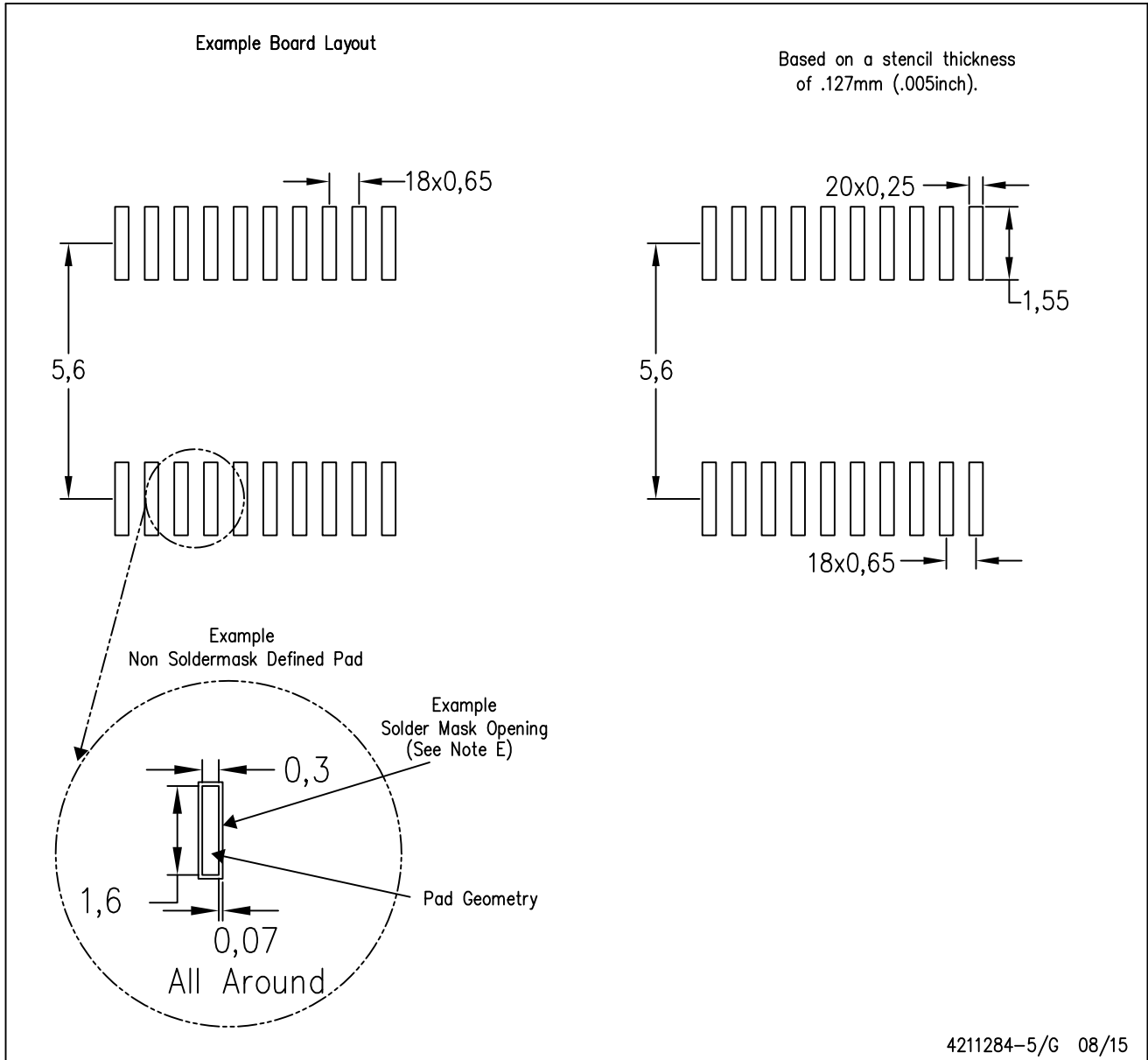
4220206/A 02/2017

NOTES: (continued)

8. Laser cutting apertures with trapezoidal walls and rounded corners may offer better paste release. IPC-7525 may have alternate design recommendations.
9. Board assembly site may have different recommendations for stencil design.

PW (R-PDSO-G20)

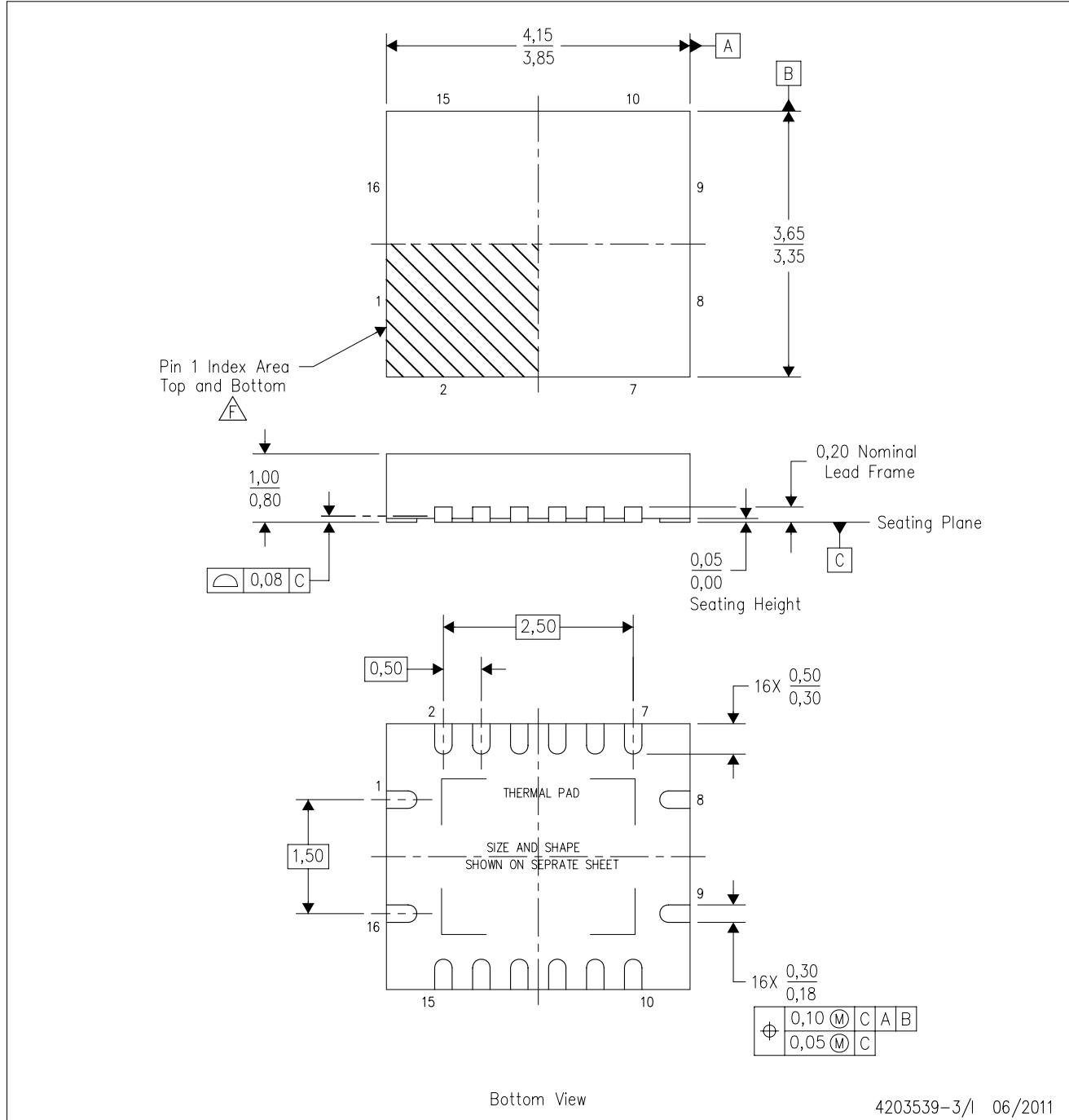
PLASTIC SMALL OUTLINE



- NOTES:
- A. All linear dimensions are in millimeters.
  - B. This drawing is subject to change without notice.
  - C. Publication IPC-7351 is recommended for alternate design.
  - D. Laser cutting apertures with trapezoidal walls and also rounding corners will offer better paste release. Customers should contact their board assembly site for stencil design recommendations. Refer to IPC-7525 for other stencil recommendations.
  - E. Customers should contact their board fabrication site for solder mask tolerances between and around signal pads.

RGY (R-PVQFN-N16)

PLASTIC QUAD FLATPACK NO-LEAD



4203539-3/1 06/2011

- NOTES:
- All linear dimensions are in millimeters. Dimensioning and tolerancing per ASME Y14.5M-1994.
  - This drawing is subject to change without notice.
  - QFN (Quad Flatpack No-Lead) package configuration.
  - The package thermal pad must be soldered to the board for thermal and mechanical performance.
  - See the additional figure in the Product Data Sheet for details regarding the exposed thermal pad features and dimensions.
  - Pin 1 identifiers are located on both top and bottom of the package and within the zone indicated. The Pin 1 identifiers are either a molded, marked, or metal feature.
  - Package complies to JEDEC MO-241 variation BA.

RGY (R-PVQFN-N16)

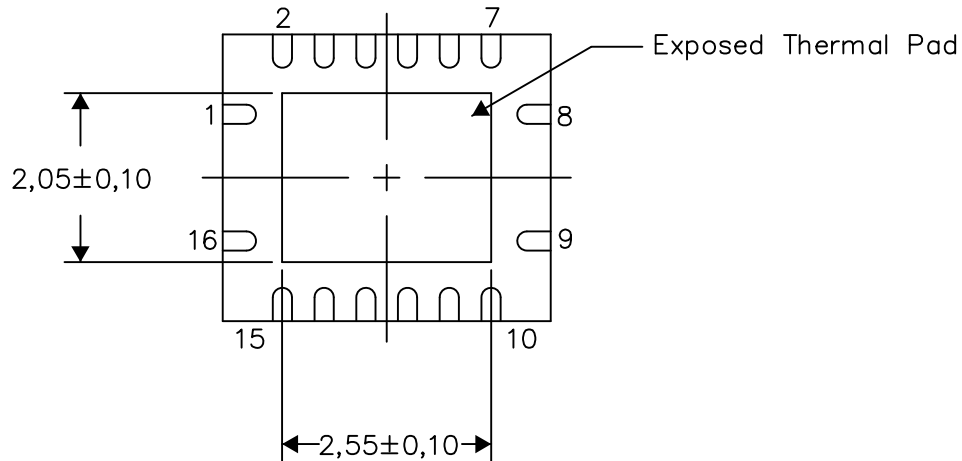
PLASTIC QUAD FLATPACK NO-LEAD

**THERMAL INFORMATION**

This package incorporates an exposed thermal pad that is designed to be attached directly to an external heatsink. The thermal pad must be soldered directly to the printed circuit board (PCB). After soldering, the PCB can be used as a heatsink. In addition, through the use of thermal vias, the thermal pad can be attached directly to the appropriate copper plane shown in the electrical schematic for the device, or alternatively, can be attached to a special heatsink structure designed into the PCB. This design optimizes the heat transfer from the integrated circuit (IC).

For information on the Quad Flatpack No-Lead (QFN) package and its advantages, refer to Application Report, QFN/SON PCB Attachment, Texas Instruments Literature No. SLUA271. This document is available at [www.ti.com](http://www.ti.com).

The exposed thermal pad dimensions for this package are shown in the following illustration.



Bottom View

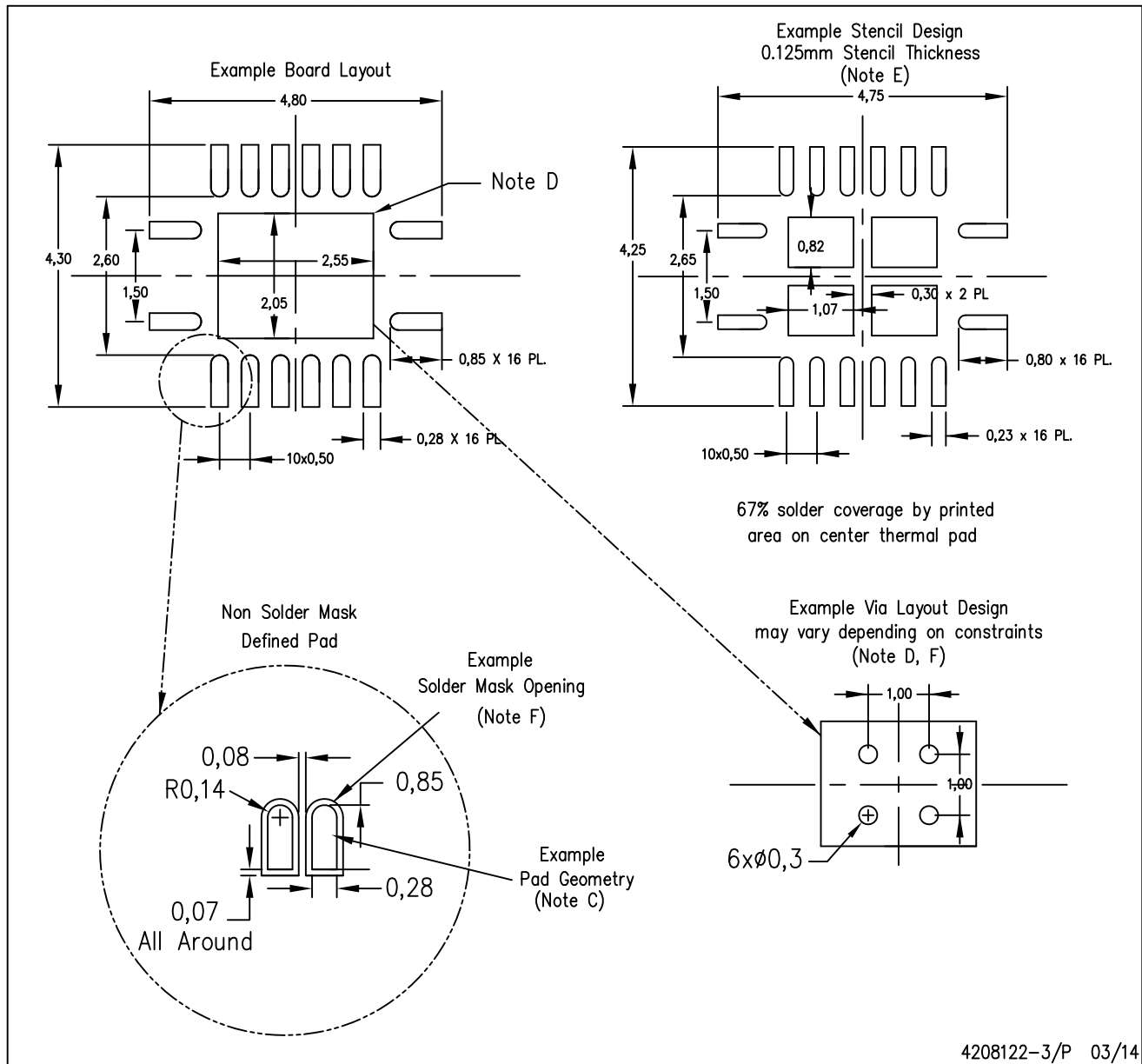
Exposed Thermal Pad Dimensions

4206353-3/P 03/14

NOTE: All linear dimensions are in millimeters

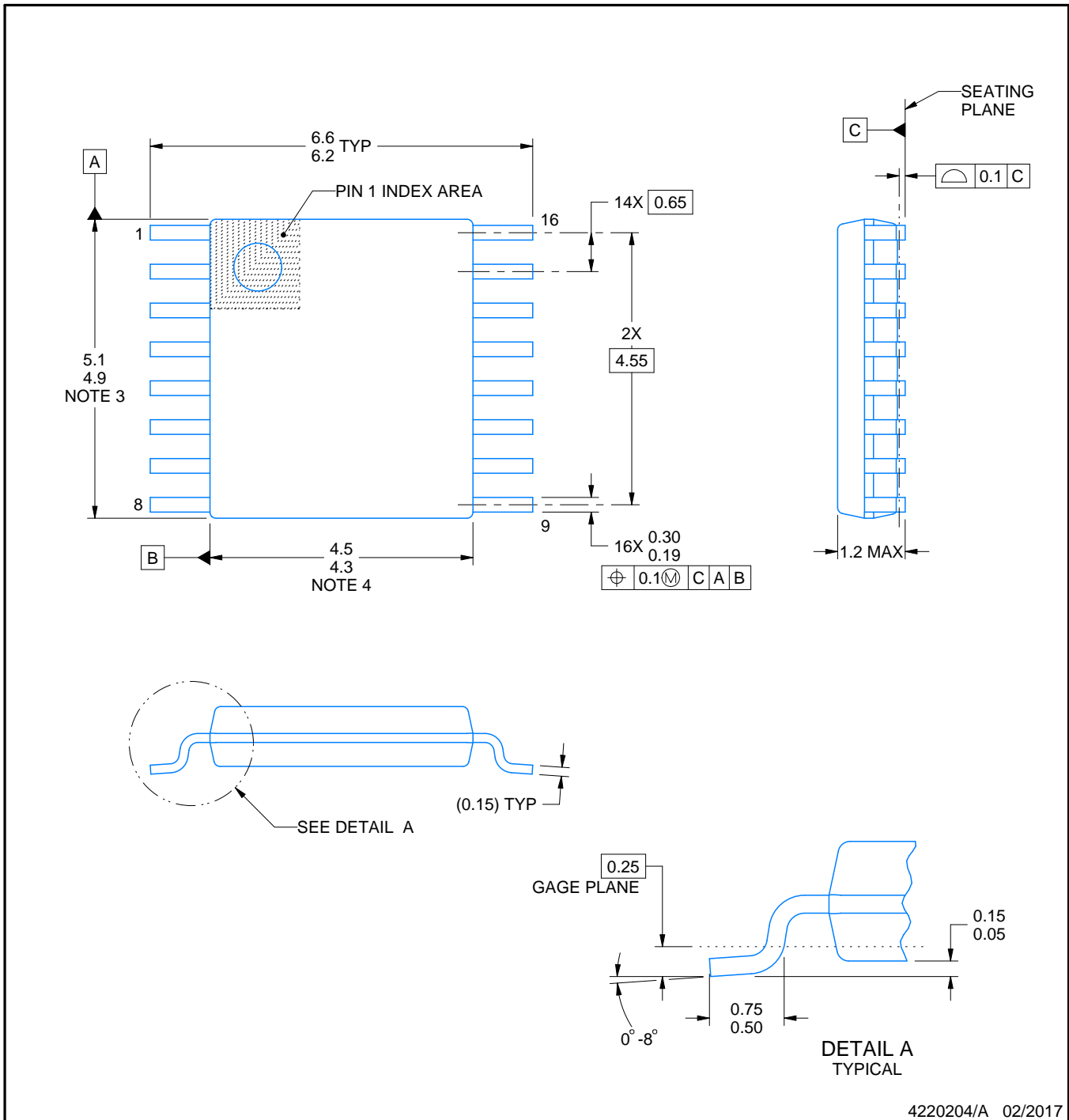
RGY (R-PVQFN-N16)

PLASTIC QUAD FLATPACK NO-LEAD



- NOTES:
- All linear dimensions are in millimeters.
  - This drawing is subject to change without notice.
  - Publication IPC-7351 is recommended for alternate designs.
  - This package is designed to be soldered to a thermal pad on the board. Refer to Application Note, Quad Flat-Pack QFN/SON PCB Attachment, Texas Instruments Literature No. SLUA271, and also the Product Data Sheets for specific thermal information, via requirements, and recommended board layout. These documents are available at [www.ti.com](http://www.ti.com) <<http://www.ti.com>>.
  - Laser cutting apertures with trapezoidal walls and also rounding corners will offer better paste release. Customers should contact their board assembly site for stencil design recommendations. Refer to IPC 7525 for stencil design considerations.
  - Customers should contact their board fabrication site for minimum solder mask web tolerances between signal pads.





4220204/A 02/2017

NOTES:

1. All linear dimensions are in millimeters. Any dimensions in parenthesis are for reference only. Dimensioning and tolerancing per ASME Y14.5M.
2. This drawing is subject to change without notice.
3. This dimension does not include mold flash, protrusions, or gate burrs. Mold flash, protrusions, or gate burrs shall not exceed 0.15 mm per side.
4. This dimension does not include interlead flash. Interlead flash shall not exceed 0.25 mm per side.
5. Reference JEDEC registration MO-153.

# EXAMPLE BOARD LAYOUT

PW0016A

TSSOP - 1.2 mm max height

SMALL OUTLINE PACKAGE



LAND PATTERN EXAMPLE  
EXPOSED METAL SHOWN  
SCALE: 10X



4220204/A 02/2017

NOTES: (continued)

- 6. Publication IPC-7351 may have alternate designs.
- 7. Solder mask tolerances between and around signal pads can vary based on board fabrication site.

# EXAMPLE STENCIL DESIGN

PW0016A

TSSOP - 1.2 mm max height

SMALL OUTLINE PACKAGE



SOLDER PASTE EXAMPLE  
BASED ON 0.125 mm THICK STENCIL  
SCALE: 10X

4220204/A 02/2017

NOTES: (continued)

8. Laser cutting apertures with trapezoidal walls and rounded corners may offer better paste release. IPC-7525 may have alternate design recommendations.
9. Board assembly site may have different recommendations for stencil design.

## 重要声明和免责声明

TI“按原样”提供技术和可靠性数据（包括数据表）、设计资源（包括参考设计）、应用或其他设计建议、网络工具、安全信息和其他资源，不保证没有瑕疵且不做任何明示或暗示的担保，包括但不限于对适销性、某特定用途方面的适用性或不侵犯任何第三方知识产权的暗示担保。

这些资源可供使用 TI 产品进行设计的熟练开发人员使用。您将自行承担以下全部责任：(1) 针对您的应用选择合适的 TI 产品，(2) 设计、验证并测试您的应用，(3) 确保您的应用满足相应标准以及任何其他功能安全、信息安全、监管或其他要求。

这些资源如有变更，恕不另行通知。TI 授权您仅可将这些资源用于研发本资源所述的 TI 产品的应用。严禁对这些资源进行其他复制或展示。您无权使用任何其他 TI 知识产权或任何第三方知识产权。您应全额赔偿因在这些资源的使用中对 TI 及其代表造成的任何索赔、损害、成本、损失和债务，TI 对此概不负责。

TI 提供的产品受 [TI 的销售条款](#) 或 [ti.com](#) 上其他适用条款/TI 产品随附的其他适用条款的约束。TI 提供这些资源并不会扩展或以其他方式更改 TI 针对 TI 产品发布的适用的担保或担保免责声明。

TI 反对并拒绝您可能提出的任何其他或不同的条款。

邮寄地址：Texas Instruments, Post Office Box 655303, Dallas, Texas 75265

Copyright © 2023，德州仪器 (TI) 公司