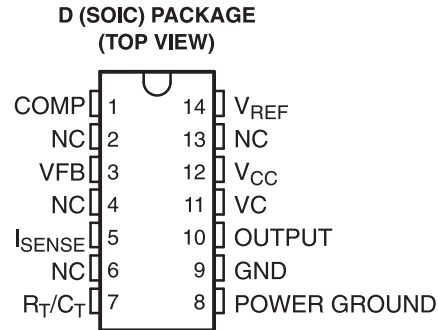


## 高性能电流模式脉宽调制 (PWM) 控制器

 查询样品: [TL2843B-Q1](#)

### 特性

- 符合汽车应用要求
- 低启动电流 (**< 0.5mA**)
- 修整的振荡器放电电流
- **500kHz** 电流模式运行
- 自动前馈补偿
- 用于逐周期电流限制的锁存 **PWM**
- 具有欠压闭锁的内部修整基准
- 具有迟滞的高电流图腾柱输出欠压闭锁
- 双脉冲抑制



NC – No internal connection

### 说明

TL284xB 系列控制集成电路提供了实现离线式或者直流到直流 (dc/dc) 固定频率电流模式控制方案所需的功能，且只采用了极少的外部组件。内部实现的电路包括一个欠压闭锁 (UVLO) 和一个经过修整以在误差放大器输入端上提供高准确度的高精度基准。其它内部电路包括用于确保闭锁操作的逻辑电路、一个负责提供限流控制的脉宽调制 (PWM) 比较器，和一个专为供应或吸收高峰值电流而设计的图腾柱输出级。当处于关闭状态时，此适于驱动 N-通道金属氧化物半导体场效应晶体管 (MOSFET) 的输出级为低电平。

TL284xB 系列产品与标准 TL284x 引脚兼容并具有下列改进。额定启动电流为 0.5mA (最大值)，同时振荡器放电电流被修整为 8.3 mA (典型值)。此外，在欠压闭锁情况下，输出具有一个 1.2V 的最大饱和电压，同时吸收 10mA 的电流 ( $V_{CC} = 5V$ )。

这些系列的成员之间的主要差异是 UVLO 阈值及最大占空比范围。TL2842B 和 TL2844B 上的 16V (开启) 和 10V (关闭) 的典型 UVLO 阈值使得它们非常适合于离线应用。TL2843B 和 TL2845B 器件相应的典型阈值为 8.4V (开启) 和 7.6V (关闭)。TL2842B 和 TL2843B 器件可在占空比接近 100% 的情况下运行。借助于附加的内部 T 触发器，TL2844B 和 TL2845B 可获得 0% 至 50% 的占空比范围，此附加的内部 T 触发器可每隔一个时钟周期封锁输出。TL284xB 系列器件额定运行温度为  $-40^{\circ}\text{C}$  至  $125^{\circ}\text{C}$ 。

**Table 1. ORDERING INFORMATION<sup>(1)</sup>**

T <sub>A</sub>	PACKAGE <sup>(2)</sup>		ORDERABLE PART NUMBER	TOP-SIDE MARKING
-40°C to 125°C	SOIC – D	Reel of 2500	TL2842BQDRQ1	Product Preview
			TL2843BQDRQ1	TL2843BQ
			TL2844BQDRQ1	Product Preview
			TL2845BQDRQ1	Product Preview

(1) For the most current package and ordering information, see the Package Option Addendum at the end of this document, or see the TI web site at [www.ti.com](http://www.ti.com).

(2) Package drawings, thermal data, and symbolization are available at [www.ti.com/packaging](http://www.ti.com/packaging).

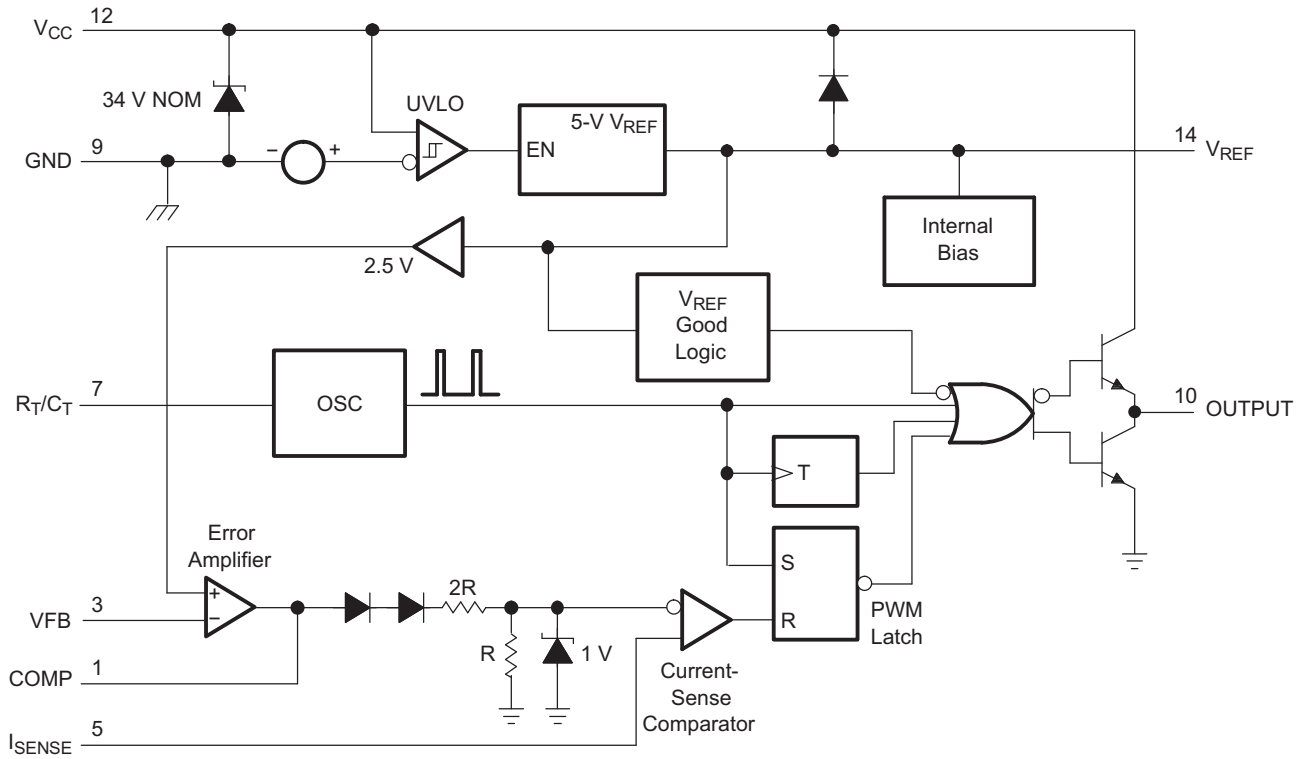


Please be aware that an important notice concerning availability, standard warranty, and use in critical applications of Texas Instruments semiconductor products and disclaimers thereto appears at the end of this data sheet.



These devices have limited built-in ESD protection. The leads should be shorted together or the device placed in conductive foam during storage or handling to prevent electrostatic damage to the MOS gates.

**FUNCTIONAL BLOCK DIAGRAM**



**ABSOLUTE MAXIMUM RATINGS<sup>(1) (2)</sup>**

over operating free-air temperature range (unless otherwise noted)

		MIN	MAX	UNIT
V <sub>CC</sub>	Supply voltage	Low impedance source		30
		I <sub>CC</sub> < 30 mA		Self limiting
V <sub>I</sub>	Analog input voltage range	VFB and I <sub>SENSE</sub>	-0.3	6.3
I <sub>CC</sub>	Supply current		30	mA
I <sub>O</sub>	Output current		±1	A
I <sub>O(sink)</sub>	Error amplifier output sink current		10	mA
θ <sub>JA</sub>	Package thermal impedance <sup>(3) (4)</sup>	D package	97	°C/W
	Output energy	Capacitive load	5	μJ
T <sub>J</sub>	Virtual junction temperature		150	°C
T <sub>stg</sub>	Storage temperature range		-65	150

- (1) Stresses beyond those listed under "absolute maximum ratings" may cause permanent damage to the device. These are stress ratings only, and functional operation of the device at these or any other conditions beyond those indicated under "recommended operating conditions" is not implied. Exposure to absolute-maximum-rated conditions for extended periods may affect device reliability.
- (2) All voltages are with respect to the device GND terminal.
- (3) Maximum power dissipation is a function of T<sub>J(max)</sub>, θ<sub>JA</sub>, and T<sub>A</sub>. The maximum allowable power dissipation at any allowable ambient temperature is P<sub>D</sub> = (T<sub>J(max)</sub> - T<sub>A</sub>)/θ<sub>JA</sub>. Operating at the absolute maximum T<sub>J</sub> of 150°C can impact reliability.
- (4) The package thermal impedance is calculated in accordance with JESD 51-7.

**RECOMMENDED OPERATING CONDITIONS**

		MIN	NOM	MAX	UNIT
V <sub>CC</sub>	Supply voltage	V <sub>CC</sub>		30	V
		VC <sup>(1)</sup>		30	
V <sub>I</sub>	Input voltage	R <sub>T</sub> /C <sub>T</sub>		0	V
		VFB and I <sub>SENSE</sub>		0	
V <sub>O</sub>	Output voltage	OUTPUT		0	V
		POWER GROUND <sup>(1)</sup>		-0.1	
I <sub>CC</sub>	Supply current, externally limited			25	mA
I <sub>O</sub>	Average output current			200	mA
I <sub>O(ref)</sub>	Reference output current			-20	mA
f <sub>osc</sub>	Oscillator frequency		100	500	kHz
T <sub>A</sub>	Operating free-air temperature	-40		125	°C

- (1) The recommended voltages for VC and POWER GROUND apply only to the 14-pin D package.

## REFERENCE SECTION ELECTRICAL CHARACTERISTICS

$V_{CC} = 15\text{ V}^{(1)}$ ,  $R_T = 10\text{ k}\Omega$ ,  $C_T = 3.3\text{ nF}$ , over recommended operating free-air temperature range (unless otherwise specified)

PARAMETER	TEST CONDITIONS	TL284xB			UNIT
		MIN	TYP <sup>(2)</sup>	MAX	
Output voltage	$I_O = 1\text{ mA}$ , $T_J = 25^\circ\text{C}$	4.95	5	5.05	V
Line regulation	$V_{CC} = 12\text{ V to }25\text{ V}$		6	20	mV
Load regulation	$I_O = 1\text{ mA to }20\text{ mA}$		6	25	mV
Average temperature coefficient of output voltage			0.2	0.4	mV/°C
Output voltage, worst-case variation	$V_{CC} = 12\text{ V to }25\text{ V}$ , $I_O = 1\text{ mA to }20\text{ mA}$	4.9		5.1	V
Output noise voltage	$f = 10\text{ Hz to }10\text{ kHz}$ , $T_J = 25^\circ\text{C}$		50		$\mu\text{V}$
Output-voltage long-term drift	After 1000 h at $T_J = 25^\circ\text{C}$		5	25	mV
Short-circuit output current		-30	-100	-180	mA

(1) Adjust  $V_{CC}$  above the start threshold before setting it to 15 V.

(2) All typical values are at  $T_J = 25^\circ\text{C}$ .

## OSCILLATOR SECTION<sup>(1)</sup> ELECTRICAL CHARACTERISTICS

$V_{CC} = 15\text{ V}^{(2)}$ ,  $R_T = 10\text{ k}\Omega$ ,  $C_T = 3.3\text{ nF}$ , over recommended operating free-air temperature range (unless otherwise specified)

PARAMETER	TEST CONDITIONS	TL284xB			UNIT
		MIN	TYP <sup>(3)</sup>	MAX	
Initial accuracy	$T_J = 25^\circ\text{C}$	49	52	55	kHz
	$T_A = T_{\text{low}} \text{ to } T_{\text{high}}$	48		56	
	$T_J = 25^\circ\text{C}$ , $R_T = 6.2\text{ k}\Omega$ , $C_T = 1\text{ nF}$	225	250	275	
Voltage stability	$V_{CC} = 12\text{ V to }25\text{ V}$		0.2	1	%
Temperature stability			5		%
Amplitude	Peak to peak		1.7		V
Discharge current <sup>(4)</sup>	$T_J = 25^\circ\text{C}$ , $R_T/C_T = 2\text{ V}$	7.8	8.3	8.8	mA
	$R_T/C_T = 2\text{ V}$	7.5		8.8	

(1) Output frequency equals oscillator frequency for the TL2842B and TL2843B. Output frequency is one-half the oscillator frequency for the TL2844B and TL2845B.

(2) Adjust  $V_{CC}$  above the start threshold before setting it to 15 V.

(3) All typical values are at  $T_J = 25^\circ\text{C}$ .

(4) Specified by design. Not production tested.

## ERROR-AMPLIFIER SECTION ELECTRICAL CHARACTERISTICS

$V_{CC} = 15\text{ V}^{(1)}$ ,  $R_T = 10\text{ k}\Omega$ ,  $C_T = 3.3\text{ nF}$ , over recommended operating free-air temperature range (unless otherwise specified)

PARAMETER	TEST CONDITIONS	TL284xB			UNIT
		MIN	TYP <sup>(2)</sup>	MAX	
Feedback input voltage	COMP = 2.5 V	2.45	2.5	2.55	V
Input bias current			-0.3	-1	$\mu\text{A}$
Open-loop voltage amplification	$V_O = 2\text{ V to }4\text{ V}$	65	90		dB
Gain-bandwidth product		0.7	1		MHz
Supply-voltage rejection ratio	$V_{CC} = 12\text{ V to }25\text{ V}$	60	70		dB
Output sink current	VFB = 2.7 V, COMP = 1.1 V	2	6		mA
Output source current	VFB = 2.3 V, COMP = 5 V	-0.5	-0.8		mA
High-level output voltage	VFB = 2.3 V, $R_L = 15\text{ k}\Omega$ to GND	5	6		V
Low-level output voltage	VFB = 2.7 V, $R_L = 15\text{ k}\Omega$ to GND		0.7	1.1	V

- (1) Adjust  $V_{CC}$  above the start threshold before setting it to 15 V.  
 (2) All typical values are at  $T_J = 25^\circ\text{C}$ .

## CURRENT-SENSE SECTION ELECTRICAL CHARACTERISTICS

$V_{CC} = 15\text{ V}^{(1)}$ ,  $R_T = 10\text{ k}\Omega$ ,  $C_T = 3.3\text{ nF}$ , over recommended operating free-air temperature range (unless otherwise specified)

PARAMETER	TEST CONDITIONS	TL284xB			UNIT
		MIN	TYP <sup>(2)</sup>	MAX	
Voltage amplification <sup>(3) (4)</sup>		2.85	3	3.15	V/V
Current-sense comparator threshold <sup>(3)</sup>	COMP = 5 V	0.9	1	1.1	V
Supply-voltage rejection ratio <sup>(3)</sup>	$V_{CC} = 12\text{ V to }25\text{ V}$		70		dB
Input bias current			-2	-10	$\mu\text{A}$
Delay time to output <sup>(5)</sup>	VFB = 0 V to 2 V		150	300	ns

- (1) Adjust  $V_{CC}$  above the start threshold before setting it to 15 V.  
 (2) All typical values are at  $T_J = 25^\circ\text{C}$ .  
 (3) Measured at the trip point of the latch, with VFB at 0 V.  
 (4) Measured between  $I_{SENSE}$  and COMP, with the input changing from 0 V to 0.8 V.  
 (5) Specified by design. Not production tested.

### Output Section Electrical Characteristics

$V_{CC} = 15\text{ V}^{(1)}$ ,  $R_T = 10\text{ k}\Omega$ ,  $C_T = 3.3\text{ nF}$ , over recommended operating free-air temperature range (unless otherwise specified)

PARAMETER	TEST CONDITIONS	TL284xB			UNIT
		MIN	TYP <sup>(2)</sup>	MAX	
High-level output voltage	$I_{OH} = -20\text{ mA}$	13	13.5		V
	$I_{OH} = -200\text{ mA}$	12	13.5		
Low-level output voltage	$I_{OL} = 20\text{ mA}$		0.1	0.4	V
	$I_{OL} = 200\text{ mA}$		1.5	2.2	
Rise time <sup>(3)</sup>	$C_L = 1\text{ nF}$ , $T_J = 25^\circ\text{C}$		50	150	ns
Fall time <sup>(3)</sup>	$C_L = 1\text{ nF}$ , $T_J = 25^\circ\text{C}$		50	150	ns
UVLO saturation <sup>(3)</sup>	$V_{CC} = 5\text{ V}$ , $I_{OL} = 1\text{ mA}$		0.7	1.2	V

- (1) Adjust  $V_{CC}$  above the start threshold before setting it to 15 V.
- (2) All typical values are at  $T_J = 25^\circ\text{C}$ .
- (3) Specified by design. Not production tested.

### UNDERVOLTAGE-LOCKOUT SECTION ELECTRICAL CHARACTERISTICS

$V_{CC} = 15\text{ V}^{(1)}$ ,  $R_T = 10\text{ k}\Omega$ ,  $C_T = 3.3\text{ nF}$ , over recommended operating free-air temperature range (unless otherwise specified)

PARAMETER	TEST CONDITIONS	TL284xB			UNIT
		MIN	TYP <sup>(2)</sup>	MAX	
Start threshold voltage		7.8	8.4	9	V
Minimum operating voltage after start-up		7	7.6	8.2	V

- (1) Adjust  $V_{CC}$  above the start threshold before setting it to 15 V.
- (2) All typical values are at  $T_J = 25^\circ\text{C}$ .

### PULSE-WIDTH MODULATOR SECTION ELECTRICAL CHARACTERISTICS

$V_{CC} = 15\text{ V}^{(1)}$ ,  $R_T = 10\text{ k}\Omega$ ,  $C_T = 3.3\text{ nF}$ , over recommended operating free-air temperature range (unless otherwise specified)

PARAMETER	TEST CONDITIONS	TL284xB			UNIT
		MIN	TYP <sup>(2)</sup>	MAX	
Maximum duty cycle <sup>(3)</sup>		94	96	100	%
Minimum duty cycle				0	%

- (1) Adjust  $V_{CC}$  above the start threshold before setting it to 15 V.
- (2) All typical values are at  $T_J = 25^\circ\text{C}$ .
- (3) Specified by design. Not production tested.

### SUPPLY VOLTAGE ELECTRICAL CHARACTERISTICS

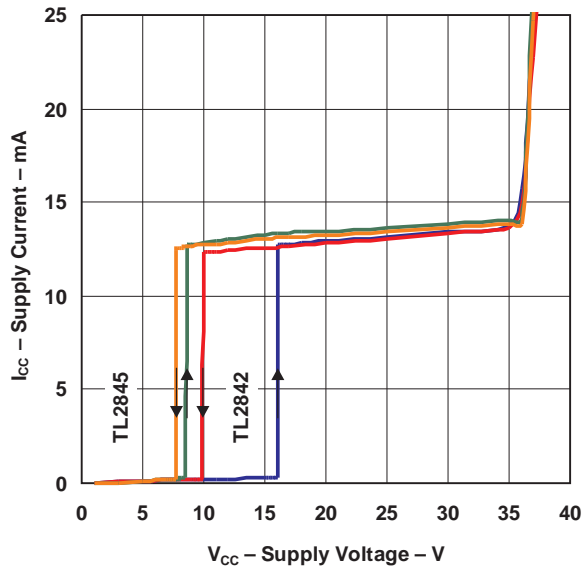
$V_{CC} = 15\text{ V}^{(1)}$ ,  $R_T = 10\text{ k}\Omega$ ,  $C_T = 3.3\text{ nF}$ , over recommended operating free-air temperature range (unless otherwise specified)

PARAMETER	TEST CONDITIONS	TL284xB			UNIT
		MIN	TYP <sup>(2)</sup>	MAX	
Start-up current			0.3	0.5	mA
Operating supply current	VFB and $I_{SENSE}$ at 0 V		11	17	mA
Limiting voltage	$I_{CC} = 25\text{ mA}$	30	34		V

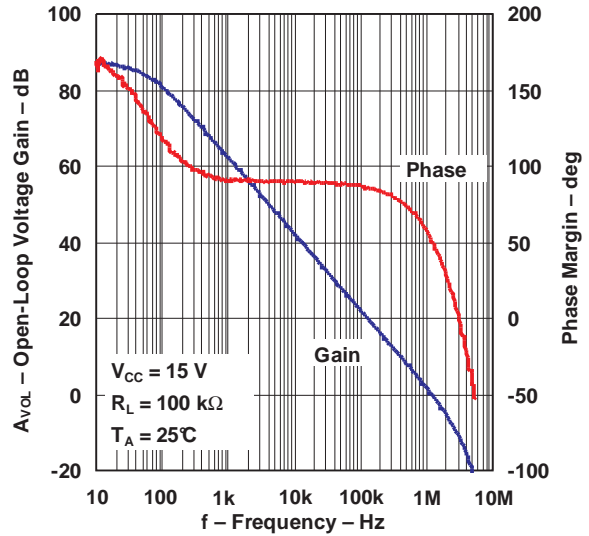
- (1) Adjust  $V_{CC}$  above the start threshold before setting it to 15 V.
- (2) All typical values are at  $T_J = 25^\circ\text{C}$ .

TYPICAL CHARACTERISTICS

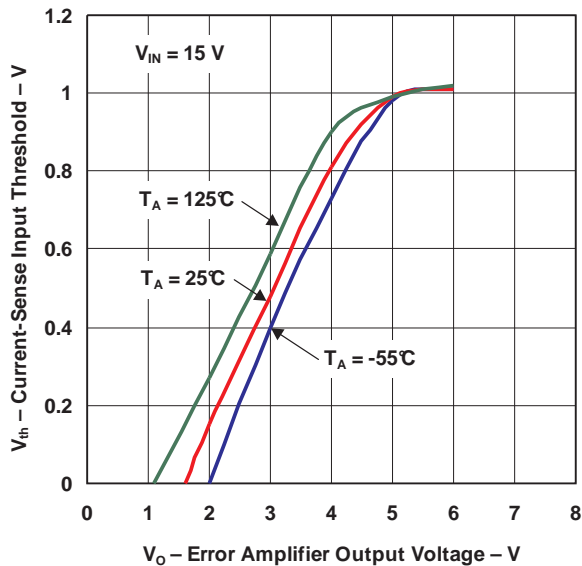
SUPPLY CURRENT  
vs  
SUPPLY VOLTAGE



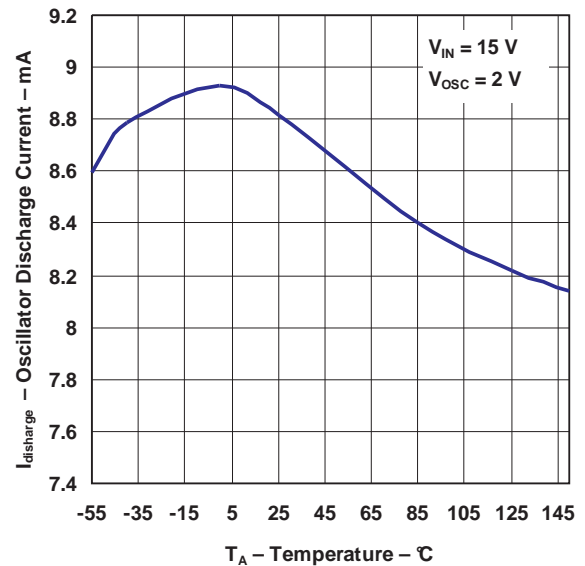
ERROR AMPLIFIER OPEN-LOOP  
GAIN AND PHASE  
vs  
FREQUENCY



CURRENT-SENSE INPUT THRESHOLD  
vs  
ERROR AMPLIFIER OUTPUT VOLTAGE

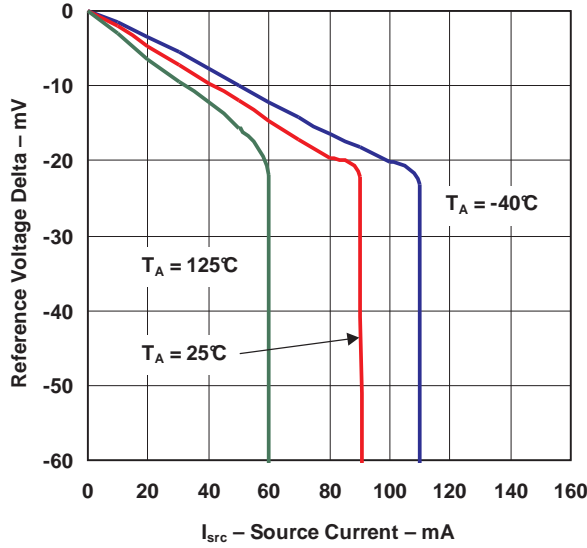


OSCILLATOR DISCHARGE CURRENT  
vs  
TEMPERATURE

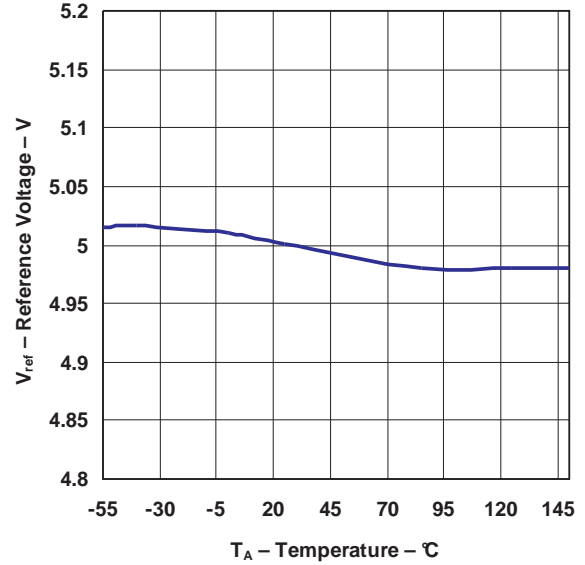


**TYPICAL CHARACTERISTICS (continued)**

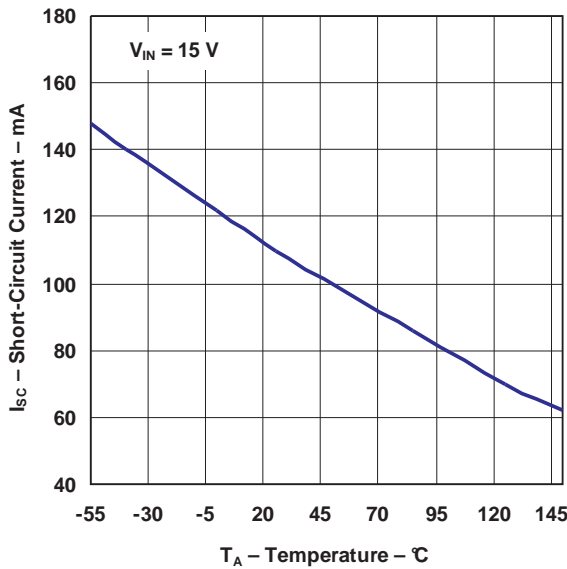
**REFERENCE VOLTAGE  
vs  
SOURCE CURRENT**



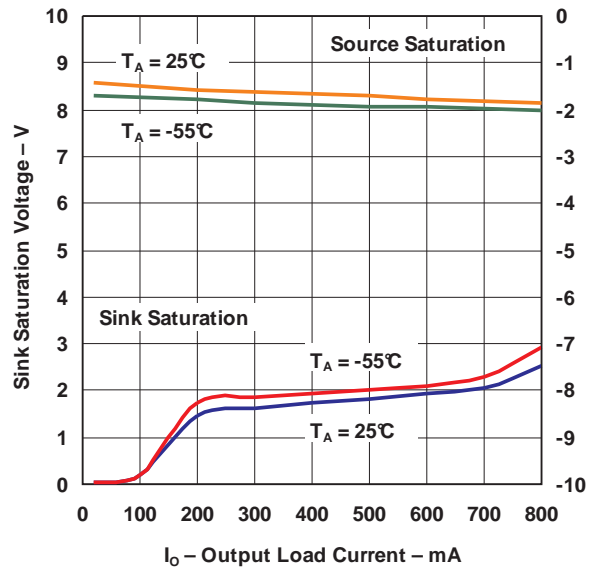
**REFERENCE VOLTAGE  
vs  
TEMPERATURE**



**REFERENCE SHORT-CIRCUIT CURRENT  
vs  
TEMPERATURE**

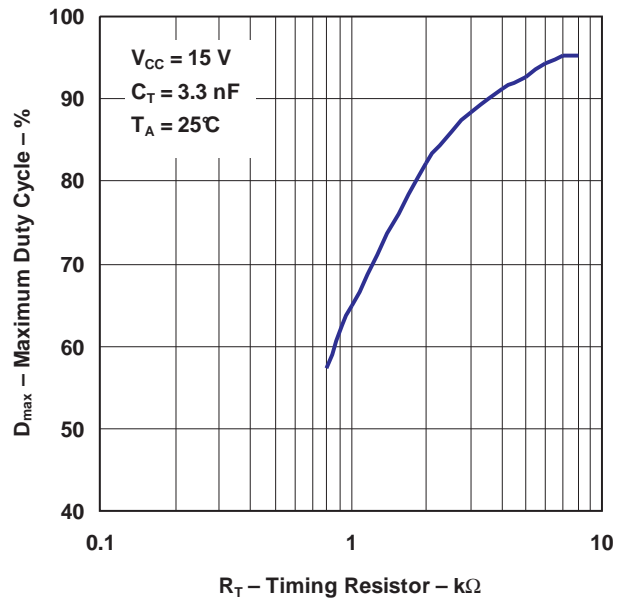


**OUTPUT SATURATION VOLTAGE  
vs  
LOAD CURRENT**



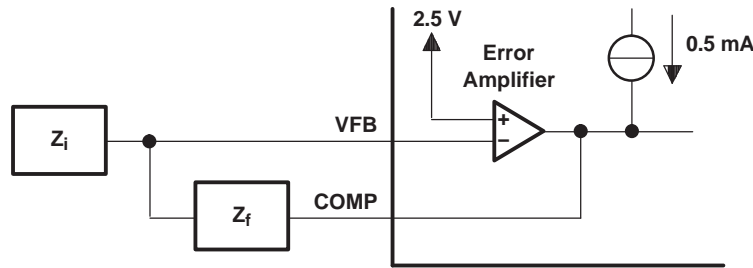


**TYPICAL CHARACTERISTICS (continued)**  
**MAXIMUM OUTPUT DUTY CYCLE**  
**vs**  
**TIMING RESISTOR**



APPLICATION INFORMATION

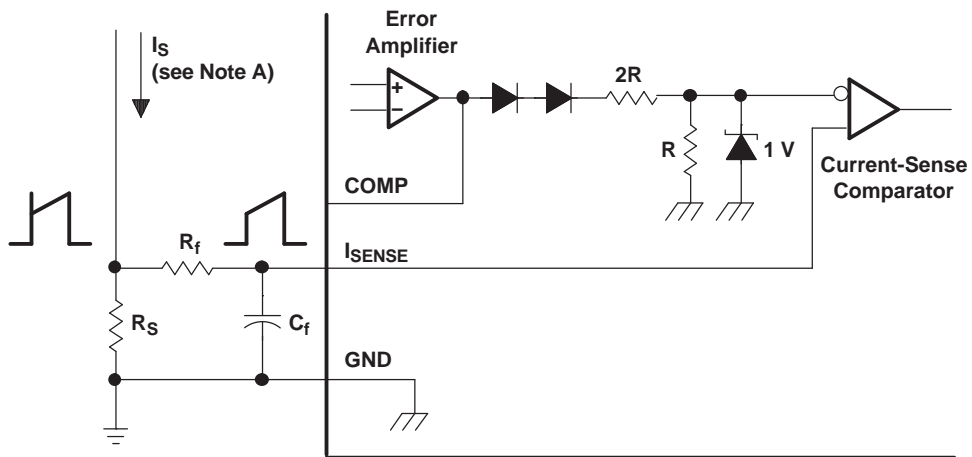
The error-amplifier configuration circuit is shown in Figure 1.



- A. Error amplifier can source or sink up to 0.5 mA.

Figure 1. Error-Amplifier Configuration

The current-sense circuit is shown in Figure 2.



- A. Peak current ( $I_S$ ) is determined by the formula:  $I_{S(max)} = 1 V/R_S$
- B. A small RC filter formed by resistor  $R_f$  and capacitor  $C_f$  may be required to suppress switch transients.

Figure 2. Current-Sense Circuit

The oscillator frequency is set using the circuit shown in Figure 3. The frequency is calculated as:

$$f = 1 / R_T C_T$$

For  $R_T > 5 \text{ k}\Omega$ :

$$f \approx 1.72 / R_T C_T$$

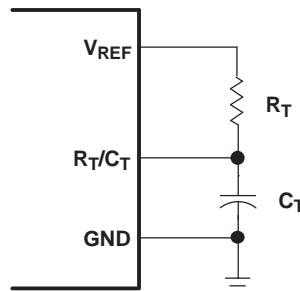
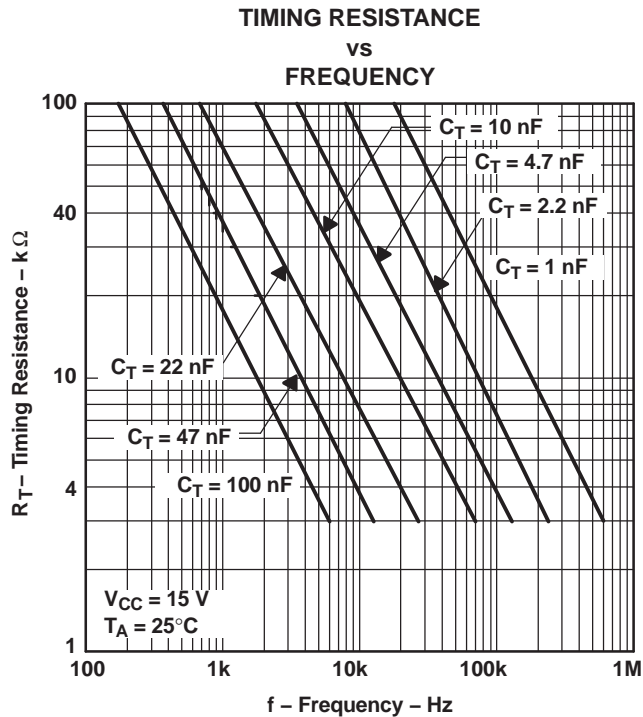
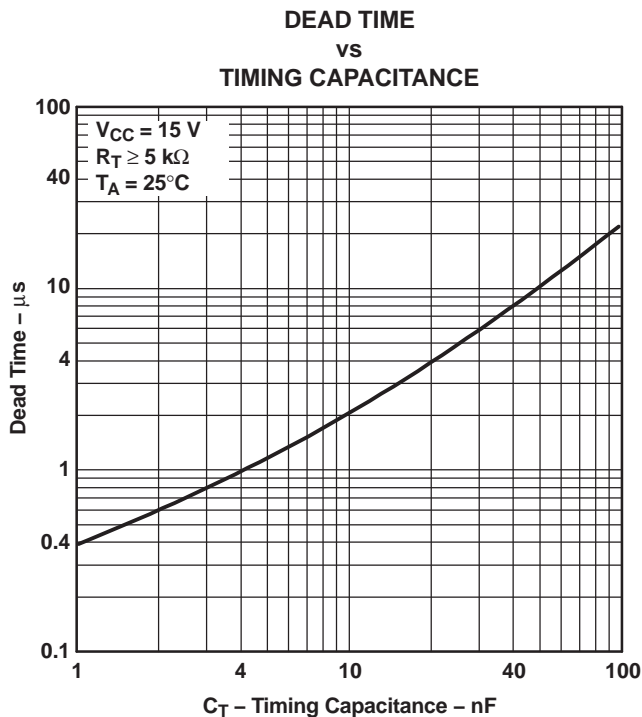


Figure 3. Oscillator Section



### Open-Loop Laboratory Test Fixture

In the open-loop laboratory test fixture (see Figure 4), high peak currents associated with loads necessitate careful grounding techniques. Timing and bypass capacitors should be connected close to the GND terminal in a single-point ground. The transistor and 5-k $\Omega$  potentiometer sample the oscillator waveform and apply an adjustable ramp to the I<sub>SENSE</sub> terminal.

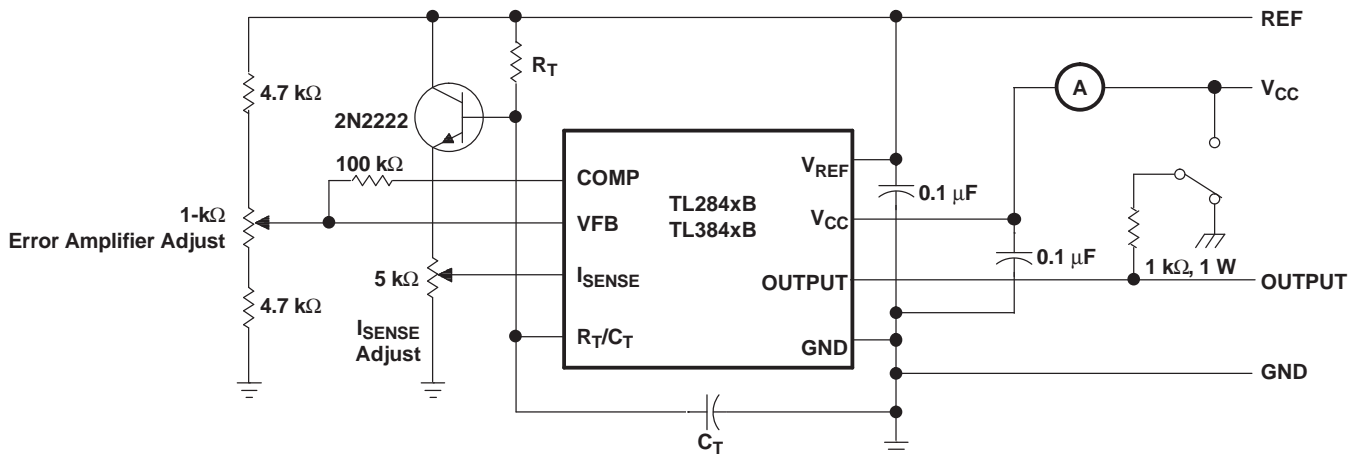


Figure 4. Open-Loop Laboratory Test Fixture

### Shutdown Technique

The PWM controller (see [Figure 5](#)) can be shut down by two methods: either raise the voltage at  $I_{SENSE}$  above 1 V or pull the COMP terminal below a voltage two diode drops above ground. Either method causes the output of the PWM comparator to be high (see the *Functional Block Diagram*). The PWM latch is reset dominant so that the output remains low until the next clock cycle after the shutdown condition at the COMP or  $I_{SENSE}$  terminal is removed. In one example, an externally latched shutdown can be accomplished by adding an SCR that resets by cycling  $V_{CC}$  below the lower UVLO threshold. At this point, the reference turns off, allowing the SCR to reset.

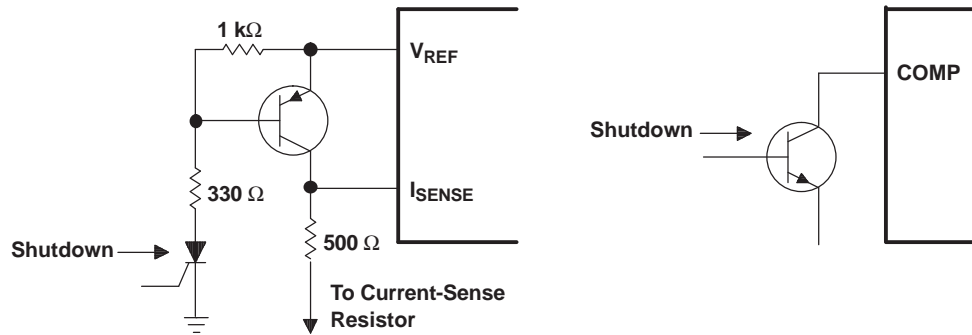


Figure 5. Shutdown Techniques

A fraction of the oscillator ramp can be summed resistively with the current-sense signal to provide slope compensation for converters requiring duty cycles over 50% (see [Figure 6](#)). Note that capacitor C forms a filter with R2 to suppress the leading-edge switch spikes.

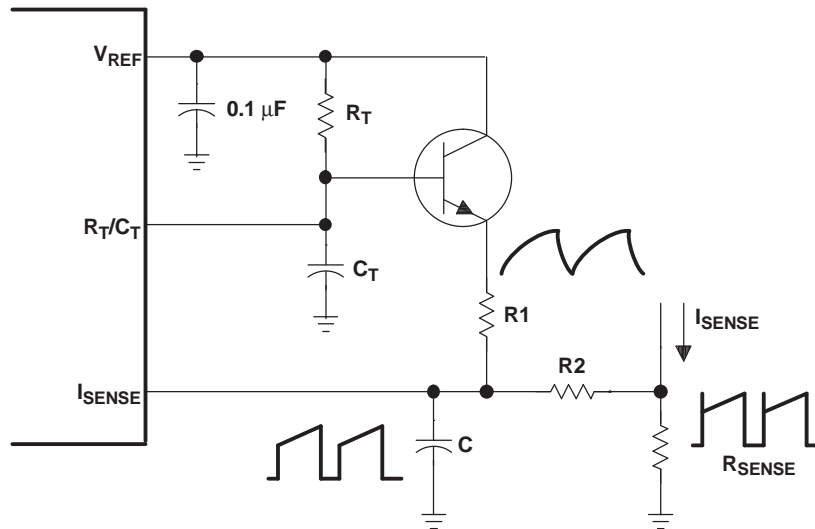


Figure 6. Slope Compensation

---

**REVISION HISTORY**

<b>Changes from Original (July 2012) to Revision A</b>	<b>Page</b>
• Changed 从 8 引脚到 14 引脚封装的插脚引线 .....	1
• Changed the Functional Block diagram pin numbers for the 14-pin D package .....	2

---

**PACKAGING INFORMATION**

Orderable Device	Status (1)	Package Type	Package Drawing	Pins	Package Qty	Eco Plan (2)	Lead finish/ Ball material (6)	MSL Peak Temp (3)	Op Temp (°C)	Device Marking (4/5)	Samples
TL2843BQDRQ1	ACTIVE	SOIC	D	14	2500	RoHS & Green	NIPDAU	Level-1-260C-UNLIM	-40 to 125	TL2843BQ	Samples

(1) The marketing status values are defined as follows:

**ACTIVE:** Product device recommended for new designs.

**LIFEBUY:** TI has announced that the device will be discontinued, and a lifetime-buy period is in effect.

**NRND:** Not recommended for new designs. Device is in production to support existing customers, but TI does not recommend using this part in a new design.

**PREVIEW:** Device has been announced but is not in production. Samples may or may not be available.

**OBSOLETE:** TI has discontinued the production of the device.

(2) **RoHS:** TI defines "RoHS" to mean semiconductor products that are compliant with the current EU RoHS requirements for all 10 RoHS substances, including the requirement that RoHS substance do not exceed 0.1% by weight in homogeneous materials. Where designed to be soldered at high temperatures, "RoHS" products are suitable for use in specified lead-free processes. TI may reference these types of products as "Pb-Free".

**RoHS Exempt:** TI defines "RoHS Exempt" to mean products that contain lead but are compliant with EU RoHS pursuant to a specific EU RoHS exemption.

**Green:** TI defines "Green" to mean the content of Chlorine (Cl) and Bromine (Br) based flame retardants meet JS709B low halogen requirements of <=1000ppm threshold. Antimony trioxide based flame retardants must also meet the <=1000ppm threshold requirement.

(3) MSL, Peak Temp. - The Moisture Sensitivity Level rating according to the JEDEC industry standard classifications, and peak solder temperature.

(4) There may be additional marking, which relates to the logo, the lot trace code information, or the environmental category on the device.

(5) Multiple Device Markings will be inside parentheses. Only one Device Marking contained in parentheses and separated by a "-" will appear on a device. If a line is indented then it is a continuation of the previous line and the two combined represent the entire Device Marking for that device.

(6) Lead finish/Ball material - Orderable Devices may have multiple material finish options. Finish options are separated by a vertical ruled line. Lead finish/Ball material values may wrap to two lines if the finish value exceeds the maximum column width.

**Important Information and Disclaimer:** The information provided on this page represents TI's knowledge and belief as of the date that it is provided. TI bases its knowledge and belief on information provided by third parties, and makes no representation or warranty as to the accuracy of such information. Efforts are underway to better integrate information from third parties. TI has taken and continues to take reasonable steps to provide representative and accurate information but may not have conducted destructive testing or chemical analysis on incoming materials and chemicals. TI and TI suppliers consider certain information to be proprietary, and thus CAS numbers and other limited information may not be available for release.



In no event shall TI's liability arising out of such information exceed the total purchase price of the TI part(s) at issue in this document sold by TI to Customer on an annual basis.

D (R-PDSO-G14)

PLASTIC SMALL OUTLINE



4040047-5/M 06/11

- NOTES:
- A. All linear dimensions are in inches (millimeters).
  - B. This drawing is subject to change without notice.
  -  Body length does not include mold flash, protrusions, or gate burrs. Mold flash, protrusions, or gate burrs shall not exceed 0.006 (0,15) each side.
  -  Body width does not include interlead flash. Interlead flash shall not exceed 0.017 (0,43) each side.
  - E. Reference JEDEC MS-012 variation AB.

## 重要声明和免责声明

TI“按原样”提供技术和可靠性数据（包括数据表）、设计资源（包括参考设计）、应用或其他设计建议、网络工具、安全信息和其他资源，不保证没有瑕疵且不做任何明示或暗示的担保，包括但不限于对适销性、某特定用途方面的适用性或不侵犯任何第三方知识产权的暗示担保。

这些资源可供使用 TI 产品进行设计的熟练开发人员使用。您将自行承担以下全部责任：(1) 针对您的应用选择合适的 TI 产品，(2) 设计、验证并测试您的应用，(3) 确保您的应用满足相应标准以及任何其他功能安全、信息安全、监管或其他要求。

这些资源如有变更，恕不另行通知。TI 授权您仅可将这些资源用于研发本资源所述的 TI 产品的应用。严禁对这些资源进行其他复制或展示。您无权使用任何其他 TI 知识产权或任何第三方知识产权。您应全额赔偿因在这些资源的使用中对 TI 及其代表造成的任何索赔、损害、成本、损失和债务，TI 对此概不负责。

TI 提供的产品受 [TI 的销售条款](#) 或 [ti.com](#) 上其他适用条款/TI 产品随附的其他适用条款的约束。TI 提供这些资源并不会扩展或以其他方式更改 TI 针对 TI 产品发布的适用的担保或担保免责声明。

TI 反对并拒绝您可能提出的任何其他或不同的条款。

邮寄地址：Texas Instruments, Post Office Box 655303, Dallas, Texas 75265

Copyright © 2023，德州仪器 (TI) 公司