

TPS51623 适用于 VR12.1 V_{CPU} 的两相 D-CAP+™ 降压控制器

1 特性

- 符合 VR12.1 串行 VID (SVID) 标准
- 单相或两相运行
- 仅支持零负载线路应用
- 8 位 DAC 输出范围：0.25 V 至 1.52 V
- 优化了轻负载和重负载条件下的效率
- 8 级独立的过冲衰减 (OSR) 和下冲衰减 (USR)
- 无驱动器配置，有助于实现高效的高频开关
- 支持分立式、电源块、功率级或 DrMOS MOSFET 实施
- 精确可调电压定位
- 300kHz 至 1MHz 的频率选择
- 获得专利的 AutoBalance 相位平衡
- 可选 8 级电流限制
- 4.5V 至 28V 转换电压范围
- 小型 4mm × 4mm 32 引脚 VQFN PowerPAD™ 集成电路封装

2 应用

- 适配器
- 电池
- NVDC
- 5V 至 12V 电源轨

3 说明

TPS51623 器件是一款无驱动器、完全符合 SVID 标准的 VR12.1 降压控制器。高级控制特性（例如 D-CAP+ 架构）借助重叠脉冲支持下冲衰减 (USR) 和过冲衰减 (OSR)，可提供快速瞬态响应、最低输出电容和高效率。TPS51623 器件还支持在 CCM 或 DCM 运行情况下进行单相运行，从而提高轻负载情况下的效率。TPS51623 器件集成了完整的 VR12.1 I/O 功能，包括 VR_READY (PGOOD)、ALERT 和 VR_HOT。SVID 接口地址允许在 0 到 7 的时间范围内进行编程。当器件在 PS4 模式下运行时，控制器的静态功耗通常为 0.25mW。V_{OUT} 压摆率和电压定位的可调节控制完善了 VR12.1 功能。

与 TPS51604 FET 栅极驱动器配合使用时，该解决方案可提供超高速度和低开关损耗。TPS51623 器件与选定的 TI 功率级产品以及 DrMOS 产品一起使用，可实现出色效率。TPS51623 器件以 1V 的默认启动电压运行。通过在设计中添加一个外部电阻分压器，应用可以覆盖默认启动电压。

TPS51623 器件采用节省空间的热增强型 32 引脚 VQFN 封装，可在 -40°C 到 105°C 温度下运行。

表 3-1. 器件信息⁽¹⁾

器件型号	封装	封装尺寸 (标称值)
TPS51623	VQFN (32)	4.00mm × 4.00mm

(1) 要了解所有可用封装，请参阅文档末尾的可订购产品附录。

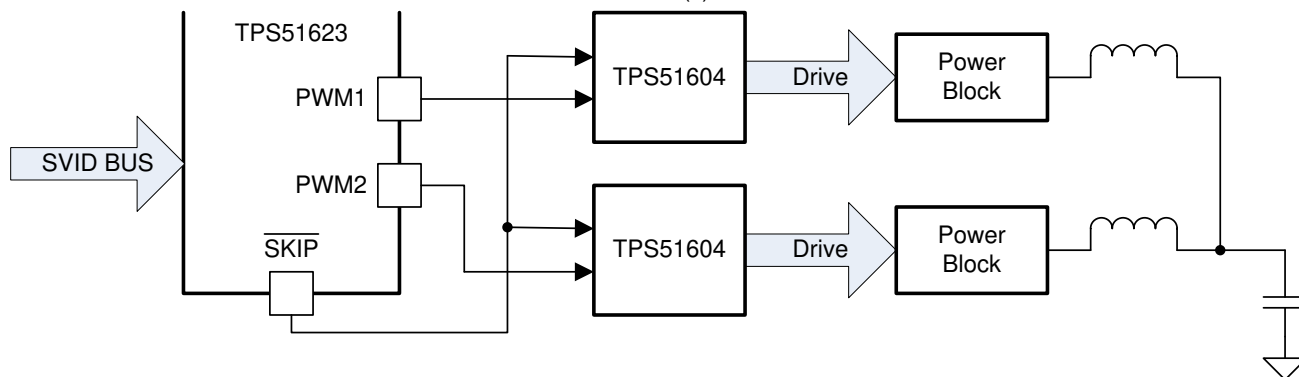


图 3-1. 简化版原理图

Table of Contents

1 特性	1	5.2 支持资源.....	3
2 应用	1	5.3 Trademarks.....	3
3 说明	1	5.4 Electrostatic Discharge Caution.....	3
4 Revision History	2	5.5 术语表.....	3
5 Device and Documentation Support	3	6 Mechanical, Packaging, and Orderable Information	4
5.1 接收文档更新通知.....	3		

4 Revision History

DATE	REVISION	NOTES
June 2022	*	Initial Release

5 Device and Documentation Support

5.1 接收文档更新通知

要接收文档更新通知，请导航至 ti.com 上的器件产品文件夹。点击 [订阅更新](#) 进行注册，即可每周接收产品信息更改摘要。有关更改的详细信息，请查看任何已修订文档中包含的修订历史记录。

5.2 支持资源

TI E2E™ [支持论坛](#) 是工程师的重要参考资料，可直接从专家获得快速、经过验证的解答和设计帮助。搜索现有解答或提出自己的问题可获得所需的快速设计帮助。

链接的内容由各个贡献者“按原样”提供。这些内容并不构成 TI 技术规范，并且不一定反映 TI 的观点；请参阅 TI 的《[使用条款](#)》。

5.3 Trademarks

D-CAP+™ and PowerPAD™ are trademarks of TI.

TI E2E™ is a trademark of Texas Instruments.

所有商标均为其各自所有者的财产。

5.4 Electrostatic Discharge Caution



This integrated circuit can be damaged by ESD. Texas Instruments recommends that all integrated circuits be handled with appropriate precautions. Failure to observe proper handling and installation procedures can cause damage.

ESD damage can range from subtle performance degradation to complete device failure. Precision integrated circuits may be more susceptible to damage because very small parametric changes could cause the device not to meet its published specifications.

5.5 术语表



TI 术语表

本术语表列出并解释了术语、首字母缩略词和定义。

6 Mechanical, Packaging, and Orderable Information

The following pages include mechanical packaging and orderable information. This information is the most current data available for the designated devices. This data is subject to change without notice and revision of this document. For browser-based versions of this data sheet, refer to the left-hand navigation.

PACKAGING INFORMATION

Orderable Device	Status (1)	Package Type	Package Drawing	Pins	Package Qty	Eco Plan (2)	Lead finish/ Ball material (6)	MSL Peak Temp (3)	Op Temp (°C)	Device Marking (4/5)	Samples
TPS51623RSMR	ACTIVE	VQFN	RSM	32	3000	RoHS & Green	NIPDAU	Level-2-260C-1 YEAR	-40 to 105	TPS 51623	
TPS51623RSMT	ACTIVE	VQFN	RSM	32	250	RoHS & Green	NIPDAU	Level-2-260C-1 YEAR	-40 to 105	TPS 51623	

(1) The marketing status values are defined as follows:

ACTIVE: Product device recommended for new designs.

LIFEBUY: TI has announced that the device will be discontinued, and a lifetime-buy period is in effect.

NRND: Not recommended for new designs. Device is in production to support existing customers, but TI does not recommend using this part in a new design.

PREVIEW: Device has been announced but is not in production. Samples may or may not be available.

OBSOLETE: TI has discontinued the production of the device.

(2) **RoHS:** TI defines "RoHS" to mean semiconductor products that are compliant with the current EU RoHS requirements for all 10 RoHS substances, including the requirement that RoHS substance do not exceed 0.1% by weight in homogeneous materials. Where designed to be soldered at high temperatures, "RoHS" products are suitable for use in specified lead-free processes. TI may reference these types of products as "Pb-Free".

RoHS Exempt: TI defines "RoHS Exempt" to mean products that contain lead but are compliant with EU RoHS pursuant to a specific EU RoHS exemption.

Green: TI defines "Green" to mean the content of Chlorine (Cl) and Bromine (Br) based flame retardants meet JS709B low halogen requirements of <=1000ppm threshold. Antimony trioxide based flame retardants must also meet the <=1000ppm threshold requirement.

(3) MSL, Peak Temp. - The Moisture Sensitivity Level rating according to the JEDEC industry standard classifications, and peak solder temperature.

(4) There may be additional marking, which relates to the logo, the lot trace code information, or the environmental category on the device.

(5) Multiple Device Markings will be inside parentheses. Only one Device Marking contained in parentheses and separated by a "~" will appear on a device. If a line is indented then it is a continuation of the previous line and the two combined represent the entire Device Marking for that device.

(6) Lead finish/Ball material - Orderable Devices may have multiple material finish options. Finish options are separated by a vertical ruled line. Lead finish/Ball material values may wrap to two lines if the finish value exceeds the maximum column width.

Important Information and Disclaimer:The information provided on this page represents TI's knowledge and belief as of the date that it is provided. TI bases its knowledge and belief on information provided by third parties, and makes no representation or warranty as to the accuracy of such information. Efforts are underway to better integrate information from third parties. TI has taken and continues to take reasonable steps to provide representative and accurate information but may not have conducted destructive testing or chemical analysis on incoming materials and chemicals. TI and TI suppliers consider certain information to be proprietary, and thus CAS numbers and other limited information may not be available for release.

In no event shall TI's liability arising out of such information exceed the total purchase price of the TI part(s) at issue in this document sold by TI to Customer on an annual basis.

GENERIC PACKAGE VIEW

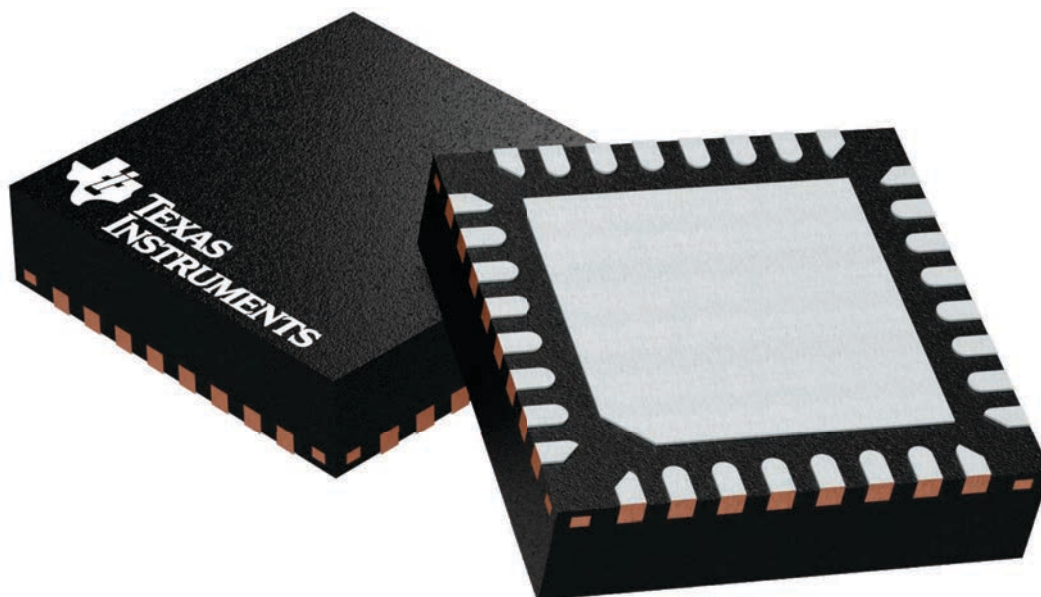
RSM 32

VQFN - 1 mm max height

4 x 4, 0.4 mm pitch

PLASTIC QUAD FLATPACK - NO LEAD

This image is a representation of the package family, actual package may vary.
Refer to the product data sheet for package details.



4224982/A

重要声明和免责声明

TI“按原样”提供技术和可靠性数据（包括数据表）、设计资源（包括参考设计）、应用或其他设计建议、网络工具、安全信息和其他资源，不保证没有瑕疵且不做任何明示或暗示的担保，包括但不限于对适销性、某特定用途方面的适用性或不侵犯任何第三方知识产权的暗示担保。

这些资源可供使用 TI 产品进行设计的熟练开发人员使用。您将自行承担以下全部责任：(1) 针对您的应用选择合适的 TI 产品，(2) 设计、验证并测试您的应用，(3) 确保您的应用满足相应标准以及任何其他功能安全、信息安全、监管或其他要求。

这些资源如有变更，恕不另行通知。TI 授权您仅可将这些资源用于研发本资源所述的 TI 产品的应用。严禁对这些资源进行其他复制或展示。您无权使用任何其他 TI 知识产权或任何第三方知识产权。您应全额赔偿因在这些资源的使用中对 TI 及其代表造成的任何索赔、损害、成本、损失和债务，TI 对此概不负责。

TI 提供的产品受 [TI 的销售条款](#) 或 [ti.com](#) 上其他适用条款/TI 产品随附的其他适用条款的约束。TI 提供这些资源并不会扩展或以其他方式更改 TI 针对 TI 产品发布的适用的担保或担保免责声明。

TI 反对并拒绝您可能提出的任何其他或不同的条款。

邮寄地址：Texas Instruments, Post Office Box 655303, Dallas, Texas 75265

Copyright © 2022，德州仪器 (TI) 公司