

TPS61046 采用 WCSP 封装的 28V 输出电压升压转换器

1 特性

- 输入电压范围：1.8V 至 5.5V，启动后为 1.6V
- 输出电压高达 28V
- 集成有功率二极管和隔离开关
- 900mA（典型值）开关电流
- 输入电压 3.6V、输出电压 12V 时效率高达 85%
- 500nA 超低关断电流
- $\pm 2\%$ 的输出电压精度
- 轻负载状态下进入节能工作模式
- 内部 10ms 软启动时间
- 关断时输入与输出真正断开
- 输出短路保护
- 输出过压保护
- 热关断保护
- 0.80mm x 1.20mm WCSP 封装

2 应用

- PMOLED 电源
- 可穿戴式设备
- 便携式医疗设备
- 传感器电源

3 说明

TPS61046 是一款高度集成的升压转换器，专门针对 PMOLED 面板和传感器模块等需要高电压和小解决方案尺寸的应用而设计。TPS61046 集成有 30V 电源开关，输入/输出隔离开关和功率二极管。该器件可将来自一节锂离子电池或两节碱性电池（串联）的输入电压转换成高达 28V 的输出电压。

TPS61046 的工作开关频率为 1.0MHz。因此只需使用很少的外部元件。通过将 TPS61046 的 FB 引脚和 VIN 引脚相连，可将其默认内部输出电压设置为 12V。因此，只需要三个外部元件即可获得 12V 输出电压。TPS61046 采用 WCSP 封装，因此整体解决方案尺寸很小。TPS61046 的开关限流典型值为 900mA。其具有 10ms 内置软启动时间，可将浪涌电流降至最低。TPS61046 处于关断模式时，隔离开关会将输出与输入断开以最大限度降低泄漏电流。TPS61046 还具有输出短路保护，输出过压保护和热关断。

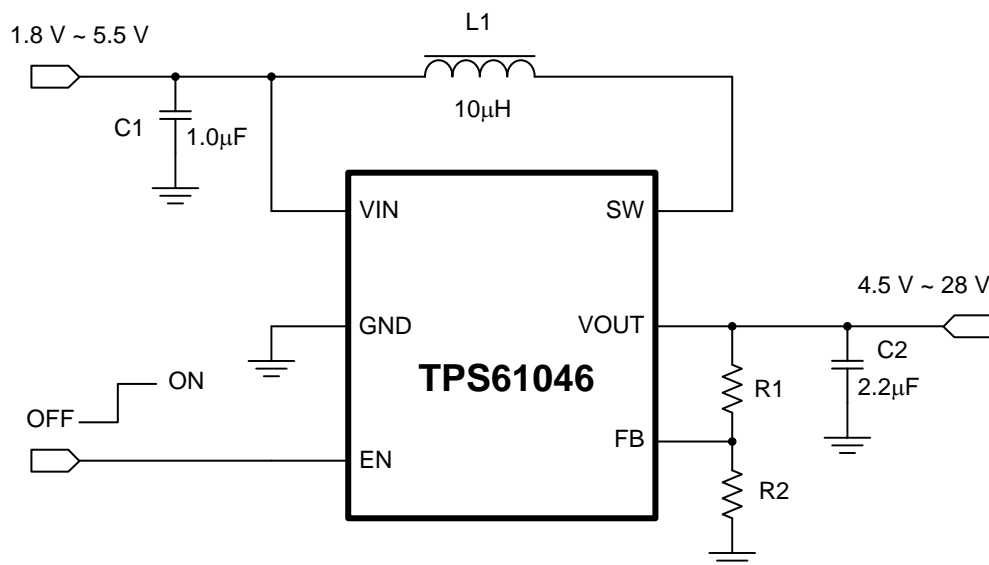
TPS61046 采用 6 引脚 0.80mm x 1.20mm WCSP 封装。

器件信息⁽¹⁾

| 器件型号 | 封装 | 封装尺寸（标称值） |
|----------|--------------------|-----------------|
| TPS61046 | 晶圆级芯片封装 (WCSP) (6) | 0.80mm x 1.20mm |

(1) 要了解所有可用封装，请见数据表末尾的可订购产品附录。

4 简化电路原理图



目录

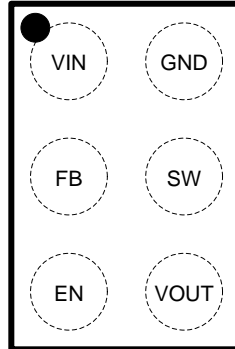
| | | | | | |
|----------|--|----------|-----------|---|-----------|
| 1 | 特性 | 1 | 8.3 | Feature Description..... | 9 |
| 2 | 应用 | 1 | 9 | Application and Implementation | 11 |
| 3 | 说明 | 1 | 9.1 | Application Information..... | 11 |
| 4 | 简化电路原理图 | 1 | 9.2 | Typical Application - 12-V Output Boost Converter | 11 |
| 5 | 修订历史记录 | 2 | 9.3 | System Examples | 15 |
| 6 | Pin Configuration and Functions | 3 | 10 | Power Supply Recommendations | 16 |
| 7 | Specifications..... | 4 | 11 | Layout..... | 17 |
| 7.1 | Absolute Maximum Ratings | 4 | 11.1 | Layout Guidelines | 17 |
| 7.2 | ESD Ratings | 4 | 11.2 | Layout Example | 17 |
| 7.3 | Recommended Operating Conditions..... | 4 | 12 | 器件和文档支持 | 18 |
| 7.4 | Thermal Information | 4 | 12.1 | 器件支持 | 18 |
| 7.5 | Electrical Characteristics..... | 5 | 12.2 | Community Resources..... | 18 |
| 7.6 | Typical Characteristics..... | 6 | 12.3 | 商标 | 18 |
| 8 | Detailed Description | 8 | 12.4 | 静电放电警告 | 18 |
| 8.1 | Overview | 8 | 12.5 | 术语表 | 18 |
| 8.2 | Functional Block Diagram | 8 | 13 | 机械封装和可订购信息 | 19 |

5 修订历史记录

| 日期 | 修订版本 | 注释 |
|------------|------|-------|
| 2015 年 4 月 | * | 最初发布。 |

6 Pin Configuration and Functions

**YFF Package
6-Ball WCSP
(Top View)**



Pin Functions

| PIN | | I/O | DESCRIPTION |
|------|--------|-----|---|
| NAME | NUMBER | | |
| EN | C1 | I | Enable logic input. Logic high voltage enables the device. Logic low voltage disables the device and turns it into shutdown mode. |
| FB | B1 | I | Voltage feedback of adjustable output voltage. Connect to the center tap of a resistor divider to program the output voltage. When it is connected to the VIN pin, the output voltage is set to 12 V by an internal feedback. |
| GND | A2 | PWR | Ground |
| SW | B2 | PWR | The switch pin of the converter. It is connected to the drain of the internal power MOSFET. |
| VIN | A1 | I | IC power supply input |
| VOUT | C2 | PWR | Output of the boost converter |

7 Specifications

7.1 Absolute Maximum Ratings

 over operating free-air temperature range (unless otherwise noted) ⁽¹⁾

| | | MIN | MAX | UNIT |
|--|-------------|------|-----|------|
| Voltage range at terminals ⁽²⁾ | VIN, EN, FB | -0.3 | 6 | V |
| | SW, VOUT | -0.3 | 32 | V |
| Operating junction temperature range, T _J | | -40 | 150 | °C |
| Storage temperature range, T _{stg} | | -65 | 150 | °C |

- (1) Stresses beyond those listed under *Absolute Maximum Ratings* may cause permanent damage to the device. These are stress ratings only, which do not imply functional operation of the device at these or any other conditions beyond those indicated under *Recommended Operating Conditions*. Exposure to absolute-maximum-rated conditions for extended periods may affect device reliability.
- (2) All voltage values are with respect to network ground terminal.

7.2 ESD Ratings

| | | | VALUE | UNIT |
|-----------------------------------|-------------------------|--|-------|------|
| V _(ESD) ⁽¹⁾ | Electrostatic discharge | Human body model (HBM), per ANSI/ESDA/JEDEC JS-001, all pins ⁽²⁾ | ±2000 | V |
| | | Charged device model (CDM), per JEDEC specification JESD22-C101, all pins ⁽³⁾ | ±500 | V |

- (1) Electrostatic discharge (ESD) to measure device sensitivity and immunity to damage caused by assembly line electrostatic discharges in to the device.
- (2) JEDEC document JEP155 states that 500-V HBM allows safe manufacturing with a standard ESD control process.
- (3) JEDEC document JEP157 states that 250-V CDM allows safe manufacturing with a standard ESD control process.

7.3 Recommended Operating Conditions

over operating free-air temperature range (unless otherwise noted)

| | | MIN | TYP | MAX | UNIT |
|------------------|------------------------------------|---------|-----|--------|------|
| V _{IN} | Input voltage range | 1.8 | | 5.5 | V |
| V _{OUT} | Output voltage range | 4.5 | | 28 | V |
| L | Effective inductance range | 1.0×0.7 | 10 | 22×1.3 | μH |
| C _{IN} | Effective input capacitance range | 0.22 | 1.0 | | μF |
| C _{OUT} | Effective output capacitance range | 0.22 | 1.0 | 10 | μF |
| T _J | Operating junction temperature | -40 | | 125 | °C |

7.4 Thermal Information

| THERMAL METRIC ⁽¹⁾ | | TPS61046 | UNIT |
|-------------------------------|--|------------|------|
| | | YFF (WCSP) | |
| | | 6 BALLS | |
| R _{θJA} | Junction-to-ambient thermal resistance | 135.4 | °C/W |
| R _{θJC(top)} | Junction-to-case (top) thermal resistance | 1.6 | |
| R _{θJB} | Junction-to-board thermal resistance | 22.3 | |
| ψ _{JT} | Junction-to-top characterization parameter | 5.6 | |
| ψ _{JB} | Junction-to-board characterization parameter | 22.3 | |
| R _{θJC(bot)} | Junction-to-case (bottom) thermal resistance | n/a | |

- (1) For more information about traditional and new thermal metrics, see the *IC Package Thermal Metrics* application report, [SPRA953](#).

7.5 Electrical Characteristics

$T_J = -40^{\circ}\text{C}$ to 125°C , $V_{IN} = 3.6\text{ V}$ and $V_{OUT} = 12\text{ V}$. Typical values are at $T_J = 25^{\circ}\text{C}$, unless otherwise noted.

| PARAMETER | | TEST CONDITIONS | MIN | TYP | MAX | UNIT |
|------------------------|---|---|-------|-------|-------|--------------------|
| POWER SUPPLY | | | | | | |
| V_{IN} | Input voltage range | | 1.8 | | 5.5 | V |
| V_{IN_UVLO} | Under voltage lockout threshold | V_{IN} rising | | 1.75 | 1.8 | V |
| | | V_{IN} falling | | 1.55 | 1.6 | |
| V_{IN_HYS} | VIN UVLO hysteresis | | | 200 | | mV |
| I_{Q_VIN} | Quiescent current into VIN pin | IC enabled, no load, no switching, $V_{IN} = 1.8\text{ V}$ to 5.5 V , $V_{OUT} = 12\text{ V}$ | | 110 | 200 | μA |
| I_{SD} | Shutdown current into VIN pin | IC disabled, $V_{IN} = 1.8\text{ V}$ to 5.5 V , T_J up to 85°C | | 0.1 | 0.8 | μA |
| | | IC disabled, $V_{IN} = 1.8\text{ V}$ to 5.5 V , T_J up to 60°C | | | 0.5 | μA |
| OUTPUT | | | | | | |
| V_{OUT} | Output voltage range | | 4.5 | | 28 | V |
| V_{OUT_12V} | 12-V output voltage accuracy | FB pin connected to VIN pin, $T_J = 0^{\circ}\text{C}$ to 125°C | 11.7 | 12 | 12.3 | V |
| V_{REF} | Feedback voltage | PWM mode, $T_J = 0^{\circ}\text{C}$ to 125°C | 0.779 | 0.795 | 0.811 | V |
| | | PFM mode, $T_J = 0^{\circ}\text{C}$ to 125°C | | 0.803 | | V |
| V_{OVP} | Output overvoltage protection threshold | | 28 | 29.2 | 30.4 | V |
| V_{OVP_HYS} | Over voltage protection hysteresis | | | 0.8 | | V |
| I_{FB_LKG} | Leakage current into FB pin | | | | 200 | nA |
| I_{SW_LKG} | Leakage current into SW pin | IC disabled, T_J up to 85°C | | | 500 | nA |
| POWER SWITCH | | | | | | |
| $R_{DS(on)}$ | Isolation MOSFET on resistance | $V_{OUT} = 12\text{ V}$ | | 850 | | m Ω |
| | Low-side MOSFET on resistance | $V_{OUT} = 12\text{ V}$ | | 450 | | |
| f_{SW} | Switching frequency | $V_{IN} = 3.6\text{ V}$, $V_{OUT} = 12\text{ V}$, PWM mode | 850 | 1050 | 1250 | kHz |
| t_{ON_min} | Minimal switch on time | | | 150 | 250 | ns |
| I_{LIM_SW} | Peak switch current limit | $V_{IN} = 3.6\text{ V}$, $V_{OUT} = 12\text{ V}$ | 600 | 900 | 1200 | mA |
| I_{LIM_CHG} | Pre-charge current | $V_{IN} = 3.6\text{ V}$, $V_{OUT} = 0\text{ V}$ | | 30 | 50 | mA |
| $t_{STARTUP}$ | Startup time | V_{OUT} from V_{IN} to 12 V , $C_{OUT_effective} = 2.2\text{ }\mu\text{F}$, $I_{OUT} = 0\text{ A}$ | 2 | 5 | | ms |
| LOGIC INTERFACE | | | | | | |
| V_{EN_H} | EN Logic high threshold | | | | 1 | V |
| V_{EN_L} | EN Logic Low threshold | | 0.4 | | | V |
| PROTECTION | | | | | | |
| T_{SD} | Thermal shutdown threshold | T_J rising | | 150 | | $^{\circ}\text{C}$ |
| T_{SD_HYS} | Thermal shutdown hysteresis | T_J falling below T_{SD} | | 20 | | $^{\circ}\text{C}$ |

7.6 Typical Characteristics

$V_{IN} = 3.6\text{ V}$, $V_{OUT} = 12\text{ V}$, $T_J = -40^\circ\text{C}$ to 125°C , unless otherwise noted.

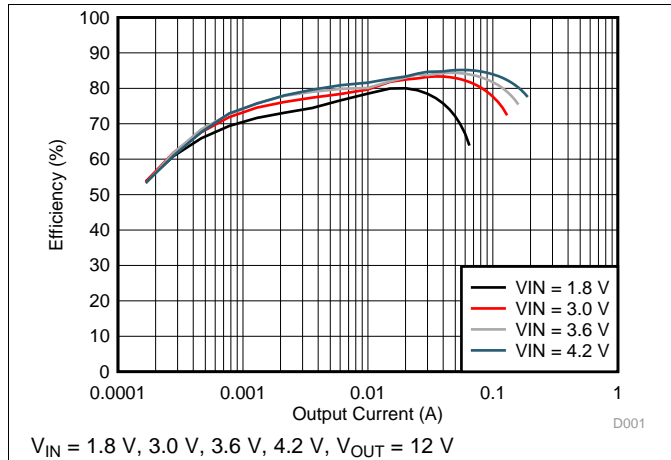


图 1. Efficiency vs Output Current

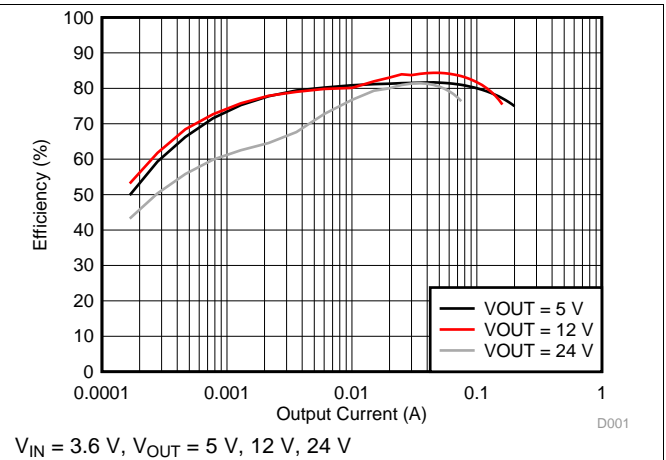


图 2. Efficiency vs Output Current

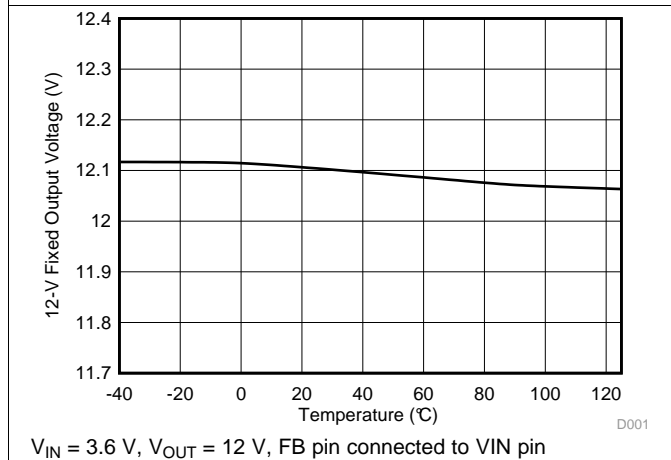


图 3. 12-V Fixed Output Voltage vs Temperature

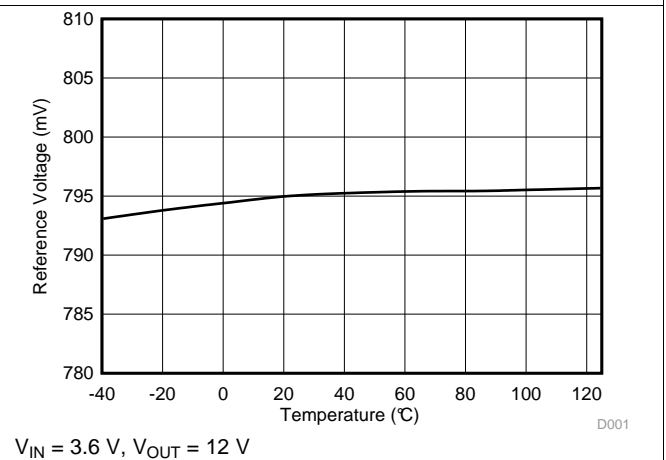


图 4. Reference Voltage vs Temperature

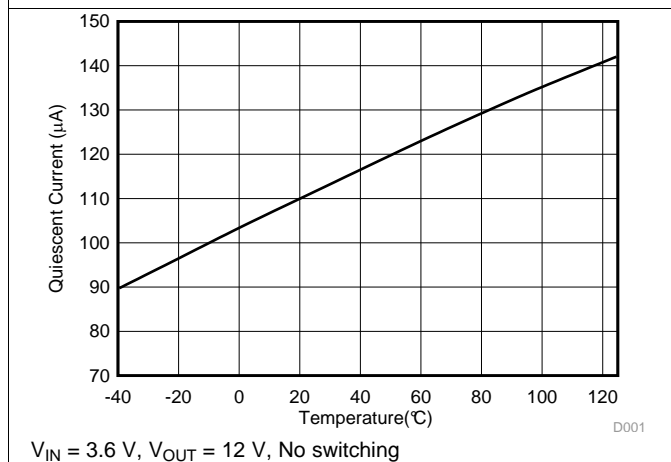


图 5. Quiescent Current vs Temperature

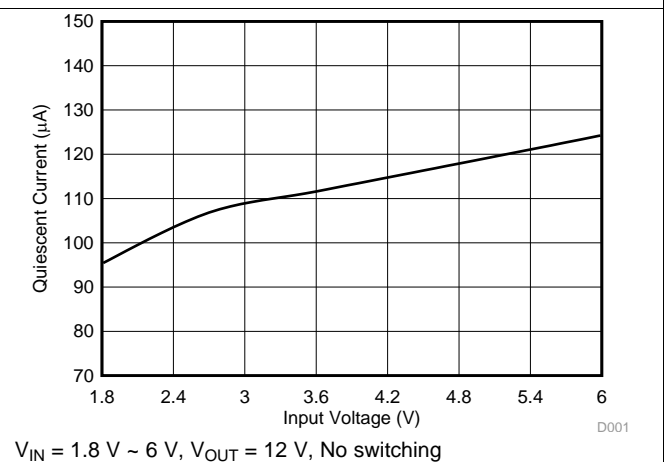


图 6. Quiescent Current vs Input Voltage

Typical Characteristics (接下页)

$V_{IN} = 3.6\text{ V}$, $V_{OUT} = 12\text{ V}$, $T_J = -40^\circ\text{C}$ to 125°C , unless otherwise noted.

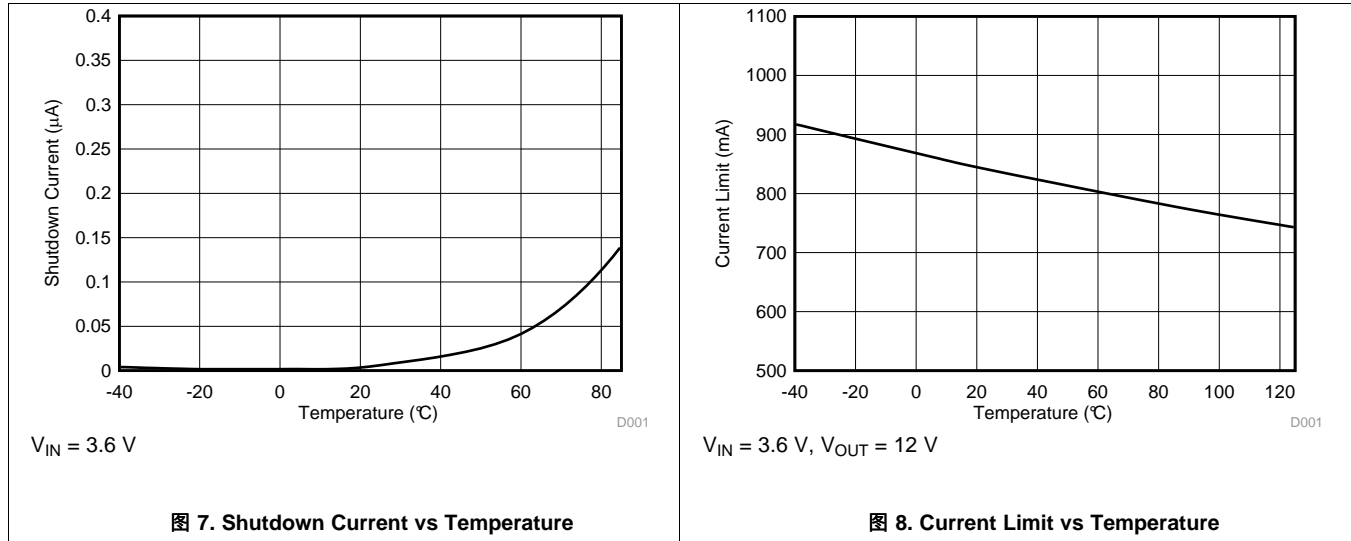


图 7. Shutdown Current vs Temperature

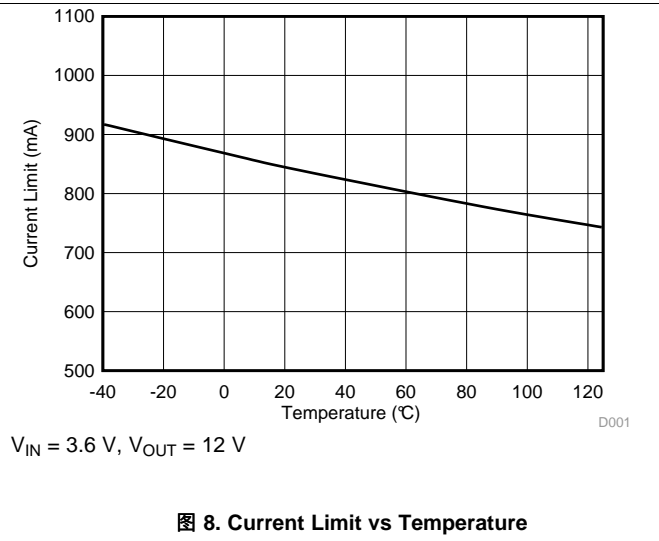


图 8. Current Limit vs Temperature

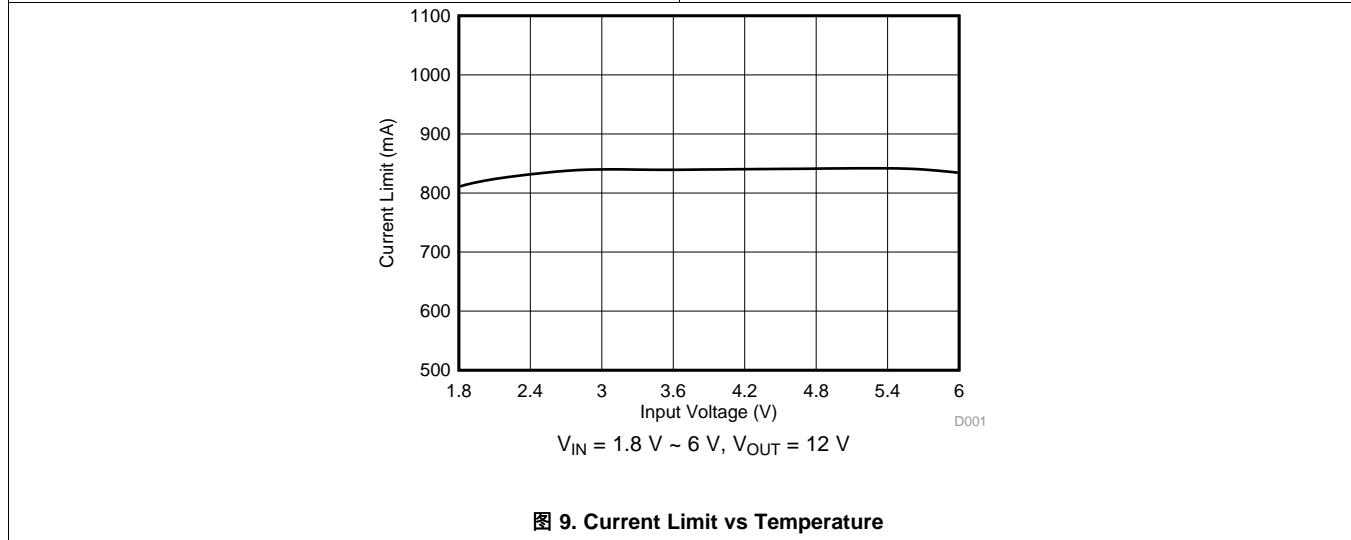


图 9. Current Limit vs Temperature

8 Detailed Description

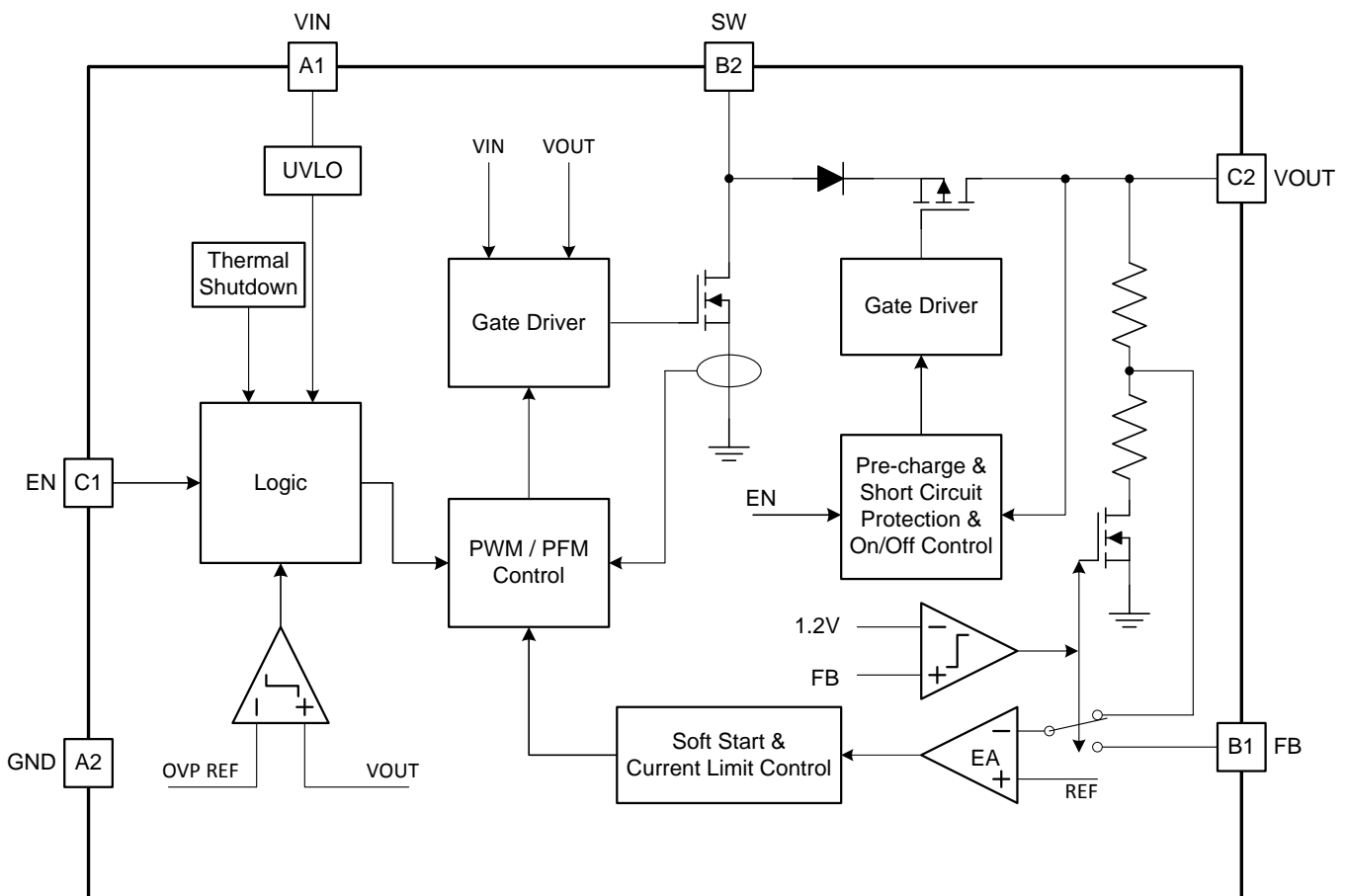
8.1 Overview

The TPS61046 is a highly integrated boost converter designed for applications requiring high voltage and tiny solution size such as PMOLED panel power supply and sensor module. The TPS61046 integrates a 30-V power switch, input/output isolation switch, and power diode. It can output up to 28 V from input of a Li+ battery or two cell alkaline batteries in series.

One common issue with conventional boost regulators is the conduction path from input to output even when the power switch is turned off. It creates three problems, which are inrush current during start-up, output leakage current during shutdown and excessive over load current. In the TPS61046, the isolation switch is turned off under shutdown mode and over load conditions, thereby opening the current path. Thus the TPS61046 can truly disconnect the load from the input voltage and minimize the leakage current during shutdown mode.

The TPS61046 operates with a switching frequency at 1.0 MHz. This allows the use of small external components. The TPS61046 has an internal default 12-V output voltage setting by connecting the FB pin to the VIN pin. Thus it only needs three external components to get 12-V output voltage. Together with WCSP package, the TPS61046 gives a very small overall solution size. The TPS61046 has typical 900-mA switch current limit. It has 10-ms built-in soft start time to minimize the inrush current. The TPS61046 also implements output short circuit protection, output over-voltage protection and thermal shutdown.

8.2 Functional Block Diagram



8.3 Feature Description

8.3.1 Under-Voltage Lockout

An under-voltage lockout (UVLO) circuit stops the operation of the converter when the input voltage drops below the typical UVLO threshold of 1.55 V. A hysteresis of 200 mV is added so that the device cannot be enabled again until the input voltage goes up to 1.75 V. This function is implemented in order to prevent malfunctioning of the device when the input voltage is between 1.55 V and 1.75 V.

8.3.2 Enable and Disable

When the input voltage is above maximal UVLO rising threshold of 1.8 V and the EN pin is pulled high, the TPS61046 is enabled. When the EN pin is pulled low, the TPS61046 goes into shutdown mode. The device stops switching and the isolation switch is turned off providing the isolation between input and output. In shutdown mode, less than 1- μ A input current is consumed.

8.3.3 Soft Start

The TPS61046 begins soft start when the EN pin is pulled high. At the beginning of the soft start period, the isolation FET is turned on slowly to charge the output capacitor with 30-mA current for about 5 ms. This is called the pre-charge phase. After the pre-charge phase, the TPS61046 starts switching. This is called switching soft start phase. An internal soft start circuit limits the peak inductor current according to the output voltage. When the output voltage is below 3 V, the peak inductor current is limited to 140 mA. Along with the output voltage going up from 3 V to 5 V, the peak current limit is gradually increased to the normal value of 900 mA. The switching soft start phase is about 5 ms typically. The soft start function reduces the inrush current during startup.

8.3.4 Over-voltage Protection

The TPS61046 has internal output over-voltage protection (OVP) function. When the output voltage exceeds the OVP threshold of 29.2 V, the device stops switching. Once the output voltage falls 0.8 V below the OVP threshold, the device resumes operation again.

8.3.5 Output Short Circuit Protection

The TPS61046 starts to limit the output current whenever the output voltage drops below 4 V. The lower output voltage, the smaller output current limit. When the VOUT pin is shorted to ground, the output current is limited to less than 200 mA. This function protects the device from being damaged when the output is shorted to ground.

8.3.6 Thermal Shutdown

The TPS61046 goes into thermal shutdown once the junction temperature exceeds 150°C. When the junction temperature drops below the thermal shutdown temperature threshold less the hysteresis, typically 130°C, the device starts operating again.

8.3.7 Device Functional Modes

The TPS61046 has two operation modes, PWM mode and power save mode.

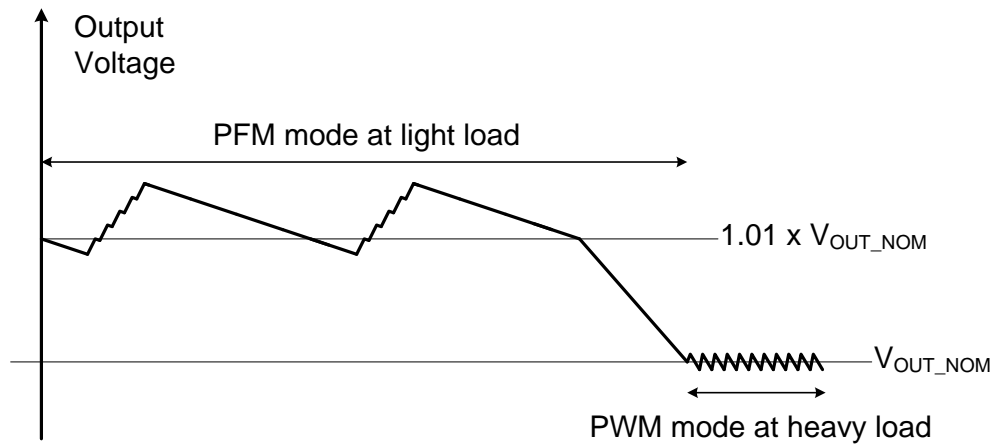
8.3.7.1 PWM Mode

The TPS61046 uses a quasi-constant 1.0-MHz frequency pulse width modulation (PWM) at moderate to heavy load current. Based on the input voltage to output voltage ratio, a circuit predicts the required off-time. At the beginning of the switching cycle, the NMOS switching FET, shown in the functional block diagram, is turned on. The input voltage is applied across the inductor and the inductor current ramps up. In this phase, the output capacitor is discharged by the load current. When the inductor current hits the current threshold that is set by the output of the error amplifier, the PWM switch is turned off, and the power diode is forward-biased. The inductor transfers its stored energy to replenish the output capacitor and supply the load. When the off-time is expired, the next switching cycle starts again. The error amplifier compares the FB pin voltage with an internal reference voltage, and its output determines the inductor peak current.

The TPS61046 has a built-in compensation circuit that can accommodate a wide range of input voltage, output voltage, inductor value and output capacitor value for stable operation.

Feature Description (接下页)
8.3.8 Power Save Mode

The TPS61046 integrates a power save mode with pulse frequency modulation (PFM) to improve efficiency at light load. When the load current decreases, the inductor peak current set by the output of the error amplifier declines to regulate the output voltage. When the inductor peak current hits the low limit of 140 mA, the output voltage will exceed the setting voltage as the load current decreases further. When the FB voltage hits the PFM reference voltage, the TPS61046 goes into the power save mode. In the power save mode, when the FB voltage rises and hits the PFM reference voltage, the device continuous switching for several cycles because of the delay time of the internal comparator. Then it stops switching. The load is supplied by the output capacitor and the output voltage declines. When the FB voltage falls below the PFM reference voltage, after the delay time of the comparator, the device starts switching again to ramp up the output voltage.


图 10. Output Voltage in PWM Mode and PFM Mode

9 Application and Implementation

9.1 Application Information

The TPS61046 is a boost DC-DC converter with a PWM switch, a power diode and an input/output isolation switch integrated. The device supports up to 28-V output with the input range from 1.8 V to 5.5 V. The TPS61046 adopts the current-mode control with adaptive constant off-time. The switching frequency is quasi-constant at 1.0 MHz. The isolation switch disconnects the output from the input during shutdown to minimize leakage current.

The following design procedure can be used to select component values for the TPS61046.

9.2 Typical Application - 12-V Output Boost Converter

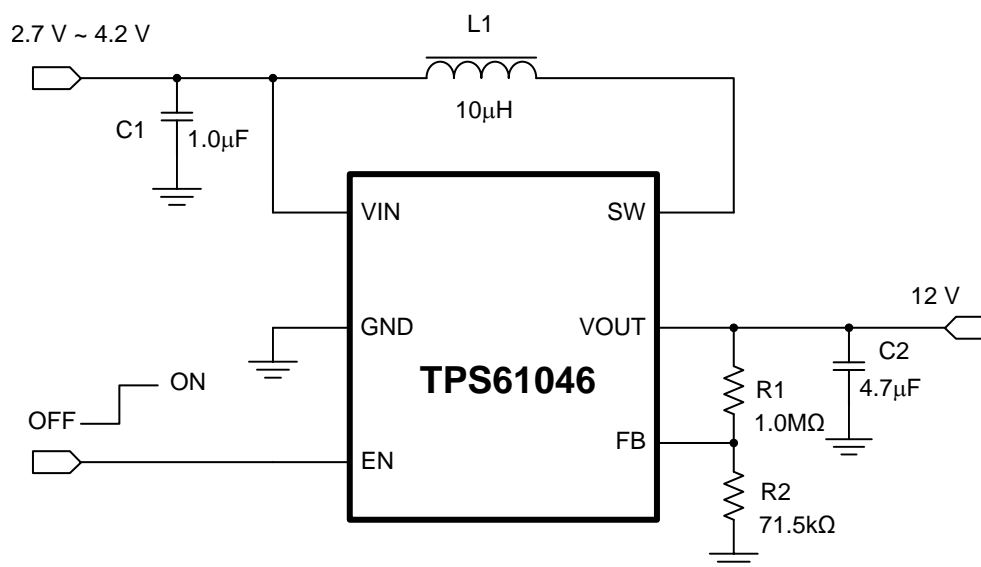


图 11. 12-V Boost Converter

9.2.1 Design Requirements

表 1. Design Requirements

| PARAMETERS | VALUES |
|-----------------------|---------------|
| Input Voltage | 2.7 V ~ 4.2 V |
| Output Voltage | 12 V |
| Output Current | 50 mA |
| Output Voltage Ripple | ±50mV |

9.2.2 Detailed Design Procedure

9.2.2.1 Programming the Output Voltage

There are two ways to set the output voltage of the TPS61046. When the FB pin is connected to the input voltage, the output voltage is fixed to 12 V. This function makes the TPS61046 only need three external components to minimize the solution size. The second way is to use an external resistor divider to set the desired output voltage.

By selecting the external resistor divider R1 and R2, as shown in 公式 1, the output voltage is programmed to the desired value. When the output voltage is regulated, the typical voltage at the FB pin is V_{REF} of 795 mV.

$$R1 = \left(\frac{V_{OUT}}{V_{REF}} - 1 \right) \times R2$$

(1)

Where:

V_{OUT} is the desired output voltage

V_{REF} is the internal reference voltage at the FB pin

For best accuracy, R2 should be kept smaller than 80 kΩ to ensure the current flowing through R2 is at least 100 times larger than the FB pin leakage current. Changing R2 towards a lower value increases the immunity against noise injection. Changing the R2 towards a higher value reduces the quiescent current for achieving highest efficiency at low load currents.

9.2.2.2 Inductor Selection

Because the selection of the inductor affects steady state operation, transient behavior, and loop stability, the inductor is the most important component in power regulator design. There are three important inductor specifications, inductor value, saturation current, and dc resistance (DCR).

The TPS61046 is designed to work with inductor values between 1.0 μH and 22 μH. Follow 公式 2 to 公式 4 to calculate the inductor's peak current for the application. To calculate the current in the worst case, use the minimum input voltage, maximum output voltage, and maximum load current of the application. To have enough design margin, choose the inductor value with -30% tolerance, and a low power-conversion efficiency for the calculation.

In a boost regulator, the inductor dc current can be calculated with 公式 2.

$$I_{L(DC)} = \frac{V_{OUT} \times I_{OUT}}{V_{IN} \times \eta} \quad (2)$$

Where:

V_{OUT} = output voltage

I_{OUT} = output current

V_{IN} = input voltage

η = power conversion efficiency, use 80% for most applications

The inductor ripple current is calculated with the 公式 3 for an asynchronous boost converter in continuous conduction mode (CCM).

$$\Delta I_{L(P-P)} = \frac{V_{IN} \times (V_{OUT} + 0.8V - V_{IN})}{L \times f_{SW} \times (V_{OUT} + 0.8V)} \quad (3)$$

Where:

$\Delta I_{L(P-P)}$ = inductor ripple current

L = inductor value

f_{SW} = switching frequency

V_{OUT} = output voltage

V_{IN} = input voltage

Therefore, the inductor peak current is calculated with 公式 4.

$$I_{L(P)} = I_{L(DC)} + \frac{\Delta I_{L(P-P)}}{2} \quad (4)$$

Normally, it is advisable to work with an inductor peak-to-peak current of less than 40% of the average inductor current for maximum output current. A smaller ripple from a larger valued inductor reduces the magnetic hysteresis losses in the inductor and EMI. Bit in the same way, load transient response time is increased. Because the TPS61046 is for relatively small output current application, the inductor peak-to-peak current could be as high as 200% of the average current with a small inductor value, which means the TPS61046 always works in DCM mode.表 2 lists the recommended inductor for the TPS61046.

表 2. Recommended Inductors for the TPS61046

| PART NUMBER | L(μH) | DCR MAX (mΩ) | SATURATION CURRENT (A) | SIZE (LxWxH) | VENDOR |
|-----------------|-------|--------------|------------------------|--------------|--------|
| FDSD0420-H-100M | 10 | 200 | 2.5 | 4.2x4.2x2.0 | Toko |
| CDRH3D23/HP | 10 | 198 | 1.02 | 4.0x4.0x2.5 | Sumida |

表 2. Recommended Inductors for the TPS61046 (接下页)

| PART NUMBER | L(μH) | DCR MAX (mΩ) | SATURATION CURRENT (A) | SIZE (LxWxH) | VENDOR |
|---------------|-------|--------------|------------------------|--------------|--------|
| 1239AS-H-100M | 10 | 460 | 1.0 | 2.5x2.0x1.2 | Toko |
| VLS4012-4R7M | 4.7 | 132 | 1.1 | 4.0x4.0x1.2 | TDK |
| 0420CDMCBDS | 22 | 379 | 1.6 | 4.5x4.1x2.0 | Sumida |

9.2.2.3 Input and Output Capacitor Selection

The output capacitor is mainly selected to meet the requirements for output ripple and loop stability. This ripple voltage is related to the capacitor's capacitance and its equivalent series resistance (ESR). Assuming a ceramic capacitor with zero ESR, the minimum capacitance needed for a given ripple can be calculated by:

$$C_{OUT} = \frac{I_{OUT} \times D_{MAX}}{f_{SW} \times V_{RIPPLE}} \quad (5)$$

Where:

D_{MAX} = maximum switching duty cycle

V_{RIPPLE} = peak to peak output voltage ripple

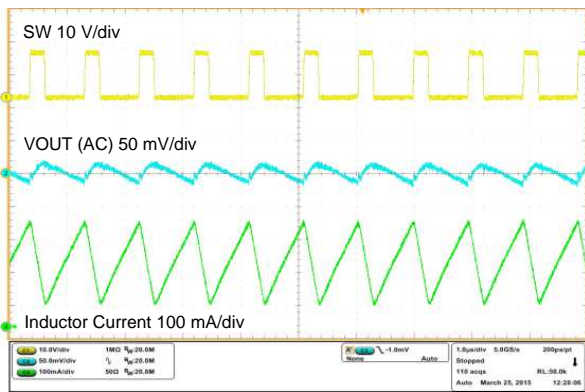
The ESR impact on the output ripple must be considered if tantalum or aluminum electrolytic capacitors are used.

Care must be taken when evaluating a ceramic capacitor's derating under dc bias, aging, and ac signal. For example, the dc bias can significantly reduce capacitance. A ceramic capacitor can lose more than 50% of its capacitance at its rated voltage. Therefore, always leave margin on the voltage rating to ensure adequate capacitance at the required output voltage.

It is recommended to use the output capacitor with effective capacitance in the range of 0.47 μF to 10 μF. The output capacitor affects the small signal control loop stability of the boost regulator. If the output capacitor is below the range, the boost regulator can potentially become unstable. Increasing the output capacitor makes the output voltage ripple smaller in PWM mode.

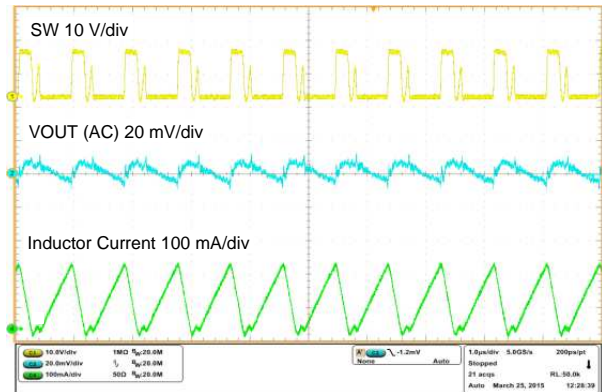
For input capacitor, a ceramic capacitor with more than 1.0 μF is enough for most applications.

9.2.3 Application Performance Curves



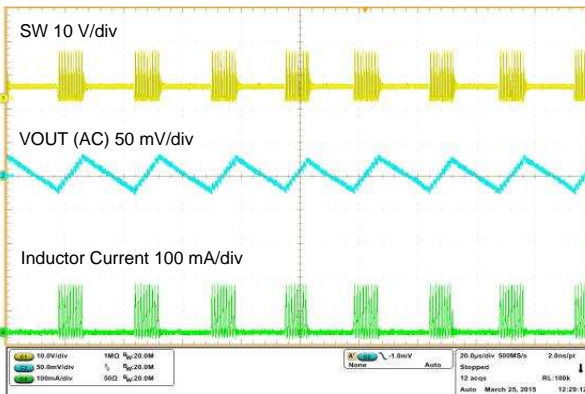
$V_{IN} = 3.6\text{ V}$, $V_{OUT} = 12\text{ V}$, $I_{OUT} = 50\text{ mA}$

图 12. Switching Waveforms in PWM CCM Mode



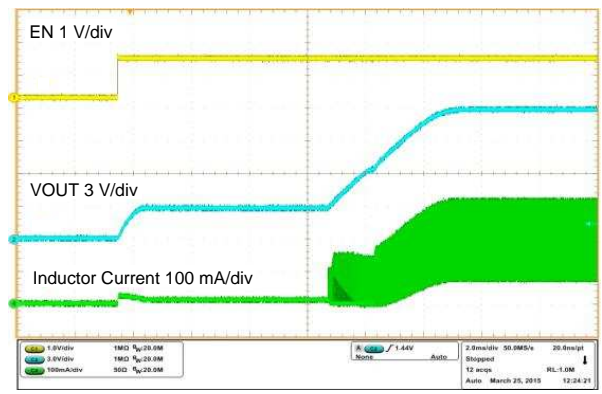
$V_{IN} = 3.6\text{ V}$, $V_{OUT} = 12\text{ V}$, $I_{OUT} = 20\text{ mA}$

图 13. Switching Waveforms in PWM DCM Mode



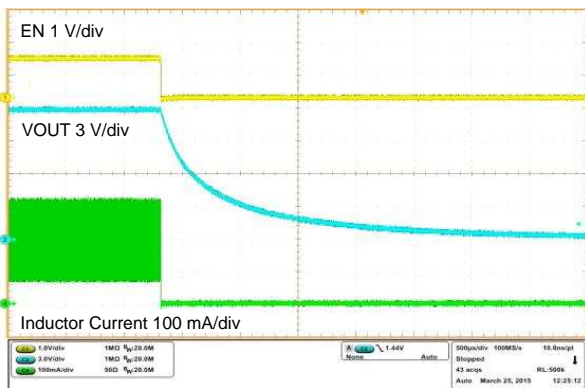
$V_{IN} = 3.6\text{ V}$, $V_{OUT} = 12\text{ V}$, $I_{OUT} = 3\text{ mA}$

图 14. Switching Waveforms in Power Save Mode



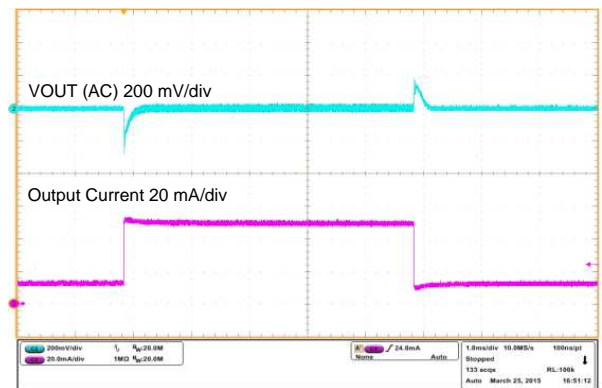
$V_{IN} = 3.6\text{ V}$, $V_{OUT} = 12\text{ V}$, $I_{OUT} = 50\text{ mA}$

图 15. Soft Startup



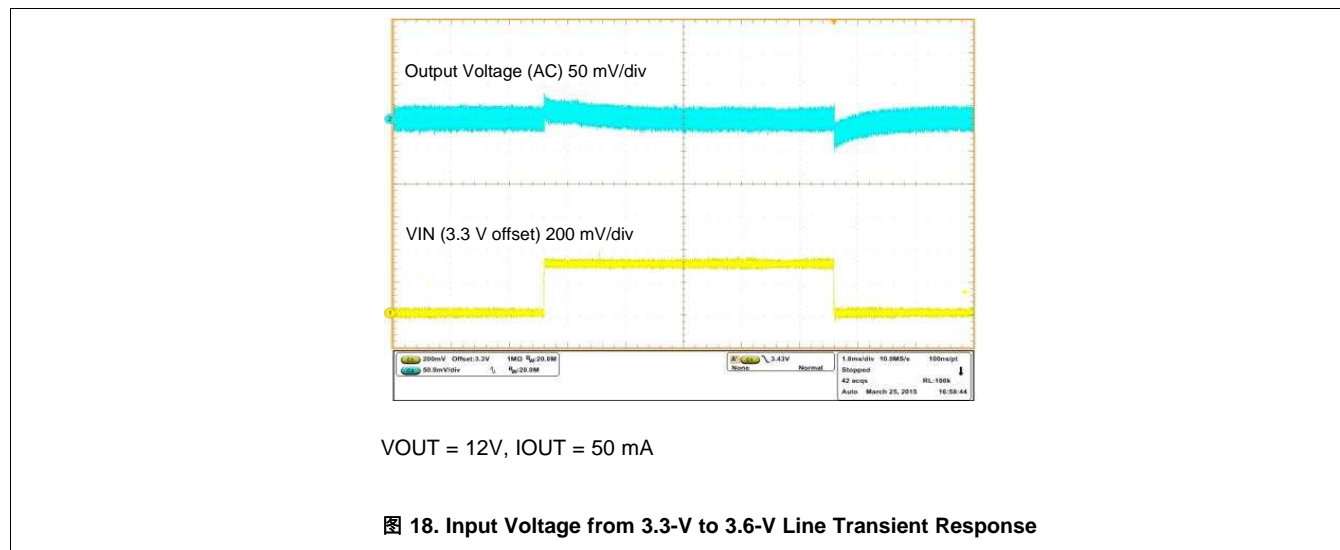
$V_{IN} = 3.6\text{ V}$, $V_{OUT} = 12\text{ V}$, $I_{OUT} = 50\text{ mA}$

图 16. Shutdown Waveforms



$V_{IN} = 3.6\text{ V}$, $V_{OUT} = 12\text{ V}$

图 17. 10-mA to 50-mA Load Transient Response



9.3 System Examples

9.3.1 Fixed 12-V Output Voltage with Three External Components

The TPS61046 can output fixed 12-V voltage by connecting the FB pin to the VIN pin to save the external resistor divider. The 图 19 shows the application circuit.

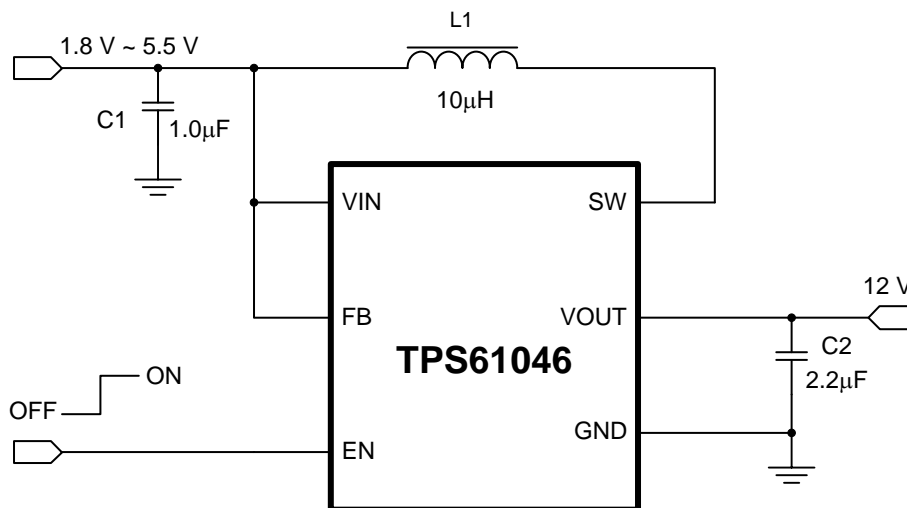


图 19. Fixed 12-V Output Voltage by Connecting the FB Pin to VIN Pin

10 Power Supply Recommendations

The device is designed to operate from an input voltage supply range between 1.8 V to 5.5 V. This input supply must be well regulated. If the input supply is located more than a few inches from the converter, additional bulk capacitance may be required in addition to the ceramic bypass capacitors. A typical choice is an electrolytic or tantalum capacitor with a value of 47 μ F. The input power supply's output current needs to be rated according to the supply voltage, output voltage and output current of the TPS61046.

11 Layout

11.1 Layout Guidelines

As for all switching power supplies, especially those running at high switching frequency and high currents, layout is an important design step. If the layout is not carefully done, the regulator could suffer from instability and noise problems. To maximize efficiency, switch rise and fall time are very fast. To prevent radiation of high frequency noise (for example, EMI), proper layout of the high-frequency switching path is essential. Minimize the length and area of all traces connected to the SW pin, and always use a ground plane under the switching regulator to minimize interplane coupling. The input capacitor needs not only to be close to the VIN pin, but also to the GND pin in order to reduce input supply ripple.

The most critical current path for all boost converters is from the switching FET, through the rectifier diode, then the output capacitors, and back to ground of the switching FET. This high current path contains nanosecond rise and fall time and should be kept as short as possible. Therefore, the output capacitor needs not only to be close to the VOUT pin, but also to the GND pin to reduce the overshoot at the SW pin and VOUT pin.

11.2 Layout Example

A large ground plane on the bottom layer connects the ground pins of the components on the top layer through vias.

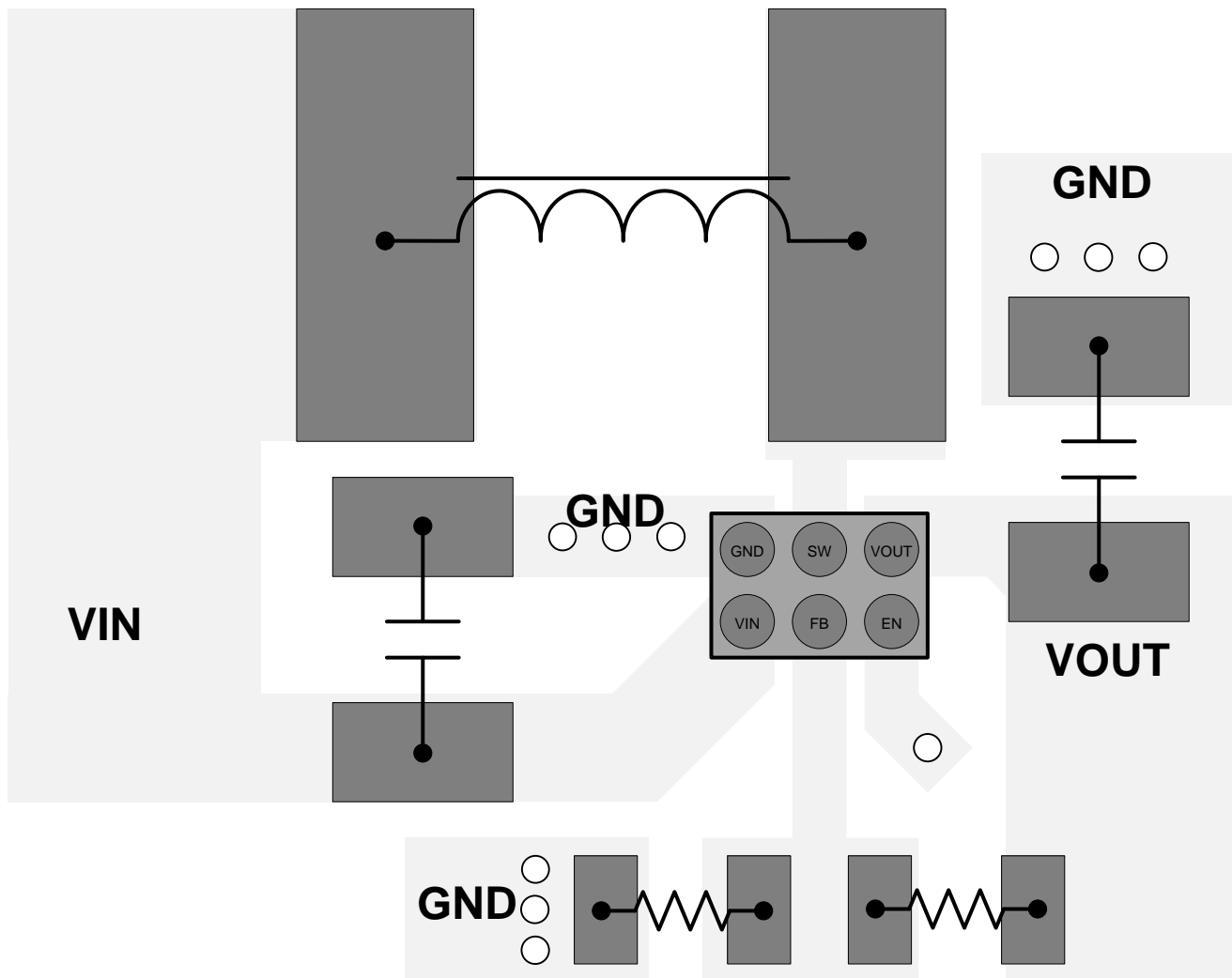


图 20. PCB Layout Example

12 器件和文档支持

12.1 器件支持

12.1.1 第三方产品免责声明

TI 发布的与第三方产品或服务有关的信息，不能构成与此类产品或服务或保修的适用性有关的认可，不能构成此类产品或服务单独或与任何 TI 产品或服务一起的表示或认可。

12.2 Community Resources

The following links connect to TI community resources. Linked contents are provided *AS IS* by the respective contributors. They do not constitute TI specifications and do not necessarily reflect TI's views; see TI's [Terms of Use](#).

TI E2E™ Online Community *TI's Engineer-to-Engineer (E2E) Community*. Created to foster collaboration among engineers. At e2e.ti.com, you can ask questions, share knowledge, explore ideas and help solve problems with fellow engineers.

Design Support *TI's Design Support* Quickly find helpful E2E forums along with design support tools and contact information for technical support.

12.3 商标

E2E, NanoFree are trademarks of Texas Instruments.
All other trademarks are the property of their respective owners.

12.4 静电放电警告



这些装置包含有限的内置 ESD 保护。存储或装卸时，应将导线一起截短或将装置放置于导电泡棉中，以防止 MOS 门极遭受静电损伤。

12.5 术语表

SLYZ022 — *TI* 术语表。

这份术语表列出并解释术语、首字母缩略词和定义。

13 机械封装和可订购信息

以下页中包括机械封装和可订购信息。 这些信息是针对指定器件可提供的最新数据。 这些数据会在无通知且不对本文档进行修订的情况下发生改变。 欲获得该数据表的浏览器版本，请查阅左侧的导航栏。

封装概要

芯片级封装尺寸

TPS61046 采用 6 凸点芯片级封装（YFF， NanoFree™）。 封装尺寸如下：

D = 大约 $1192 \pm 30\mu\text{m}$

E = 大约 $792 \pm 30\mu\text{m}$

PACKAGING INFORMATION

| Orderable Device | Status (1) | Package Type | Package Drawing | Pins | Package Qty | Eco Plan (2) | Lead finish/ Ball material (6) | MSL Peak Temp (3) | Op Temp (°C) | Device Marking (4/5) | Samples |
|------------------|---------------|--------------|-----------------|------|-------------|-----------------|--------------------------------------|----------------------|--------------|-------------------------|-------------------------|
| TPS61046YFFR | ACTIVE | DSBGA | YFF | 6 | 3000 | RoHS & Green | SNAGCU | Level-1-260C-UNLIM | -40 to 125 | SJS | Samples |
| TPS61046YFFT | ACTIVE | DSBGA | YFF | 6 | 250 | RoHS & Green | SNAGCU | Level-1-260C-UNLIM | -40 to 125 | SJS | Samples |

(1) The marketing status values are defined as follows:

ACTIVE: Product device recommended for new designs.

LIFEBUY: TI has announced that the device will be discontinued, and a lifetime-buy period is in effect.

NRND: Not recommended for new designs. Device is in production to support existing customers, but TI does not recommend using this part in a new design.

PREVIEW: Device has been announced but is not in production. Samples may or may not be available.

OBSOLETE: TI has discontinued the production of the device.

(2) **RoHS:** TI defines "RoHS" to mean semiconductor products that are compliant with the current EU RoHS requirements for all 10 RoHS substances, including the requirement that RoHS substance do not exceed 0.1% by weight in homogeneous materials. Where designed to be soldered at high temperatures, "RoHS" products are suitable for use in specified lead-free processes. TI may reference these types of products as "Pb-Free".

RoHS Exempt: TI defines "RoHS Exempt" to mean products that contain lead but are compliant with EU RoHS pursuant to a specific EU RoHS exemption.

Green: TI defines "Green" to mean the content of Chlorine (Cl) and Bromine (Br) based flame retardants meet JS709B low halogen requirements of <=1000ppm threshold. Antimony trioxide based flame retardants must also meet the <=1000ppm threshold requirement.

(3) MSL, Peak Temp. - The Moisture Sensitivity Level rating according to the JEDEC industry standard classifications, and peak solder temperature.

(4) There may be additional marking, which relates to the logo, the lot trace code information, or the environmental category on the device.

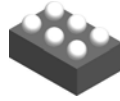
(5) Multiple Device Markings will be inside parentheses. Only one Device Marking contained in parentheses and separated by a "~" will appear on a device. If a line is indented then it is a continuation of the previous line and the two combined represent the entire Device Marking for that device.

(6) Lead finish/Ball material - Orderable Devices may have multiple material finish options. Finish options are separated by a vertical ruled line. Lead finish/Ball material values may wrap to two lines if the finish value exceeds the maximum column width.

Important Information and Disclaimer:The information provided on this page represents TI's knowledge and belief as of the date that it is provided. TI bases its knowledge and belief on information provided by third parties, and makes no representation or warranty as to the accuracy of such information. Efforts are underway to better integrate information from third parties. TI has taken and continues to take reasonable steps to provide representative and accurate information but may not have conducted destructive testing or chemical analysis on incoming materials and chemicals. TI and TI suppliers consider certain information to be proprietary, and thus CAS numbers and other limited information may not be available for release.

In no event shall TI's liability arising out of such information exceed the total purchase price of the TI part(s) at issue in this document sold by TI to Customer on an annual basis.

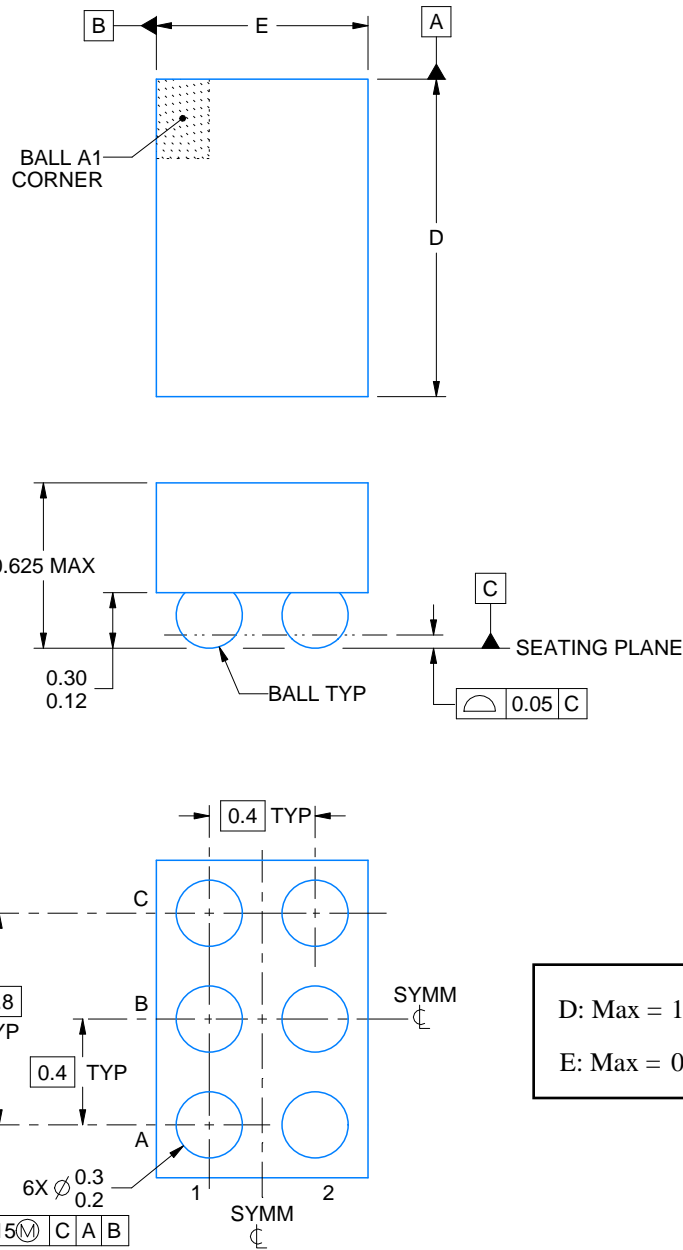
YFF0006



PACKAGE OUTLINE

DSBGA - 0.625 mm max height

DIE SIZE BALL GRID ARRAY



4223785/A 06/2017

NOTES:

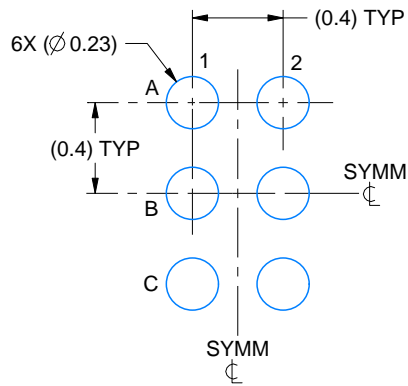
1. All linear dimensions are in millimeters. Any dimensions in parenthesis are for reference only. Dimensioning and tolerancing per ASME Y14.5M.
2. This drawing is subject to change without notice.

EXAMPLE BOARD LAYOUT

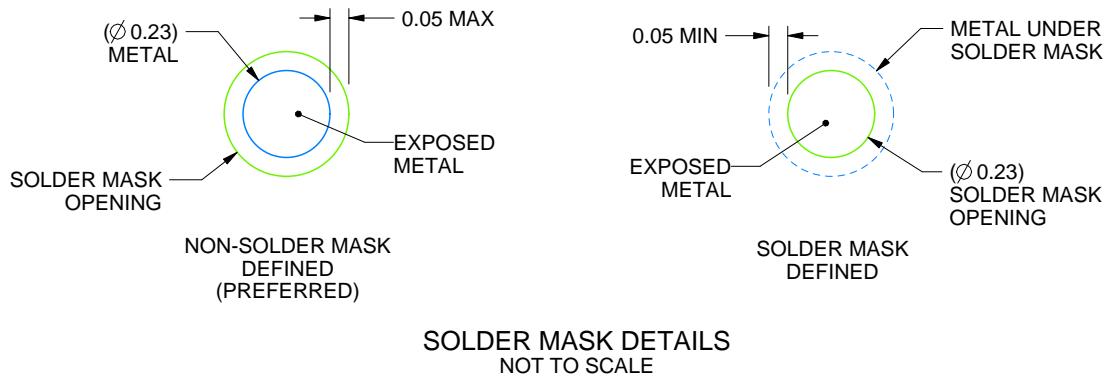
YFF0006

DSBGA - 0.625 mm max height

DIE SIZE BALL GRID ARRAY



LAND PATTERN EXAMPLE
EXPOSED METAL SHOWN
SCALE:30X



SOLDER MASK DETAILS
NOT TO SCALE

4223785/A 06/2017

NOTES: (continued)

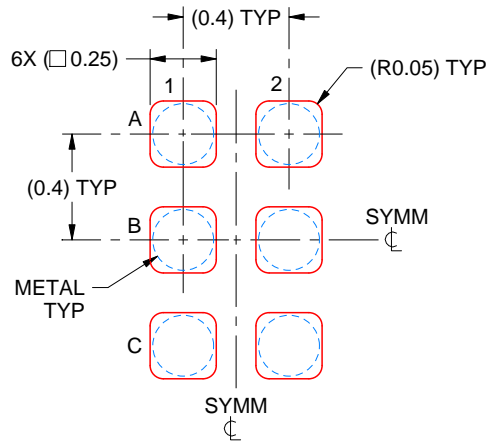
- Final dimensions may vary due to manufacturing tolerance considerations and also routing constraints. For more information, see Texas Instruments literature number SNVA009 (www.ti.com/lit/snva009).

EXAMPLE STENCIL DESIGN

YFF0006

DSBGA - 0.625 mm max height

DIE SIZE BALL GRID ARRAY



SOLDER PASTE EXAMPLE
BASED ON 0.1 mm THICK STENCIL
SCALE:35X

4223785/A 06/2017

NOTES: (continued)

4. Laser cutting apertures with trapezoidal walls and rounded corners may offer better paste release.

重要声明和免责声明

TI“按原样”提供技术和可靠性数据（包括数据表）、设计资源（包括参考设计）、应用或其他设计建议、网络工具、安全信息和其他资源，不保证没有瑕疵且不做任何明示或暗示的担保，包括但不限于对适销性、某特定用途方面的适用性或不侵犯任何第三方知识产权的暗示担保。

这些资源可供使用 TI 产品进行设计的熟练开发人员使用。您将自行承担以下全部责任：(1) 针对您的应用选择合适的 TI 产品，(2) 设计、验证并测试您的应用，(3) 确保您的应用满足相应标准以及任何其他功能安全、信息安全、监管或其他要求。

这些资源如有变更，恕不另行通知。TI 授权您仅可将这些资源用于研发本资源所述的 TI 产品的应用。严禁对这些资源进行其他复制或展示。您无权使用任何其他 TI 知识产权或任何第三方知识产权。您应全额赔偿因在这些资源的使用中对 TI 及其代表造成的任何索赔、损害、成本、损失和债务，TI 对此概不负责。

TI 提供的产品受 [TI 的销售条款](#) 或 [ti.com](#) 上其他适用条款/TI 产品随附的其他适用条款的约束。TI 提供这些资源并不会扩展或以其他方式更改 TI 针对 TI 产品发布的适用的担保或担保免责声明。

TI 反对并拒绝您可能提出的任何其他或不同的条款。

邮寄地址：Texas Instruments, Post Office Box 655303, Dallas, Texas 75265

Copyright © 2023，德州仪器 (TI) 公司