



These devices have limited built-in ESD protection. The leads should be shorted together or the device placed in conductive foam during storage or handling to prevent electrostatic damage to the MOS gates.

PACKAGE INFORMATION⁽¹⁾

PACKAGE	PACKAGE MARKING
TPS61187RTJ	TPS61187

(1) For the most current package and ordering information, see the Package Option Addendum at the end of this document, or see the TI website at www.ti.com.

ABSOLUTE MAXIMUM RATINGS

over operating free-air temperature range (unless otherwise noted) ⁽¹⁾

		VALUE		UNIT
		MIN	MAX	
Voltage range ⁽²⁾	VIN, FAULT	-0.3	24	V
	FPO	-0.3	7	V
	SW	-0.3	40	V
	EN, PWM, IFB1 to IFB4	-0.3	20	V
	VDDIO	-0.3	3.7	V
	All other pins	-0.3	3.6	V
HBM ESD rating			4	kV
MM ESD rating			200	V
CDM ESD rating			1.5	kV
Continuous power dissipation		See Thermal Information Table		
Operating junction temperature range		-40	150	°C
Storage temperature range		-65	150	°C

(1) Stresses beyond those listed under *absolute maximum ratings* may cause permanent damage to the device. These are stress ratings only, and functional operation of the device at these or any other conditions beyond those indicated under *recommended operating conditions* is not implied. Exposure to absolute-maximum-rated conditions for extended periods may affect device reliability.

(2) All voltage values are with respect to network ground terminal.

RECOMMENDED OPERATING CONDITIONS

over operating free-air temperature range (unless otherwise noted)

		MIN	NOM	MAX	UNIT
V _{IN}	Input voltage range	4.5		24	V
V _{OUT}	Output voltage range	V _{IN}		38	V
L1	Inductor, 600 kHz ~ 1 MHz switching frequency	10		22	µH
L1	Inductor, 300 kHz ~ 600 kHz switching frequency	22		47	µH
C _I	Input capacitor	1			µF
C _O	Output capacitor	1.0	4.7	10	µF
F _{PWM_O}	IFBx PWM dimming frequency - frequency programmable mode	0.1		22 ⁽¹⁾	KHz
F _{PWM_O}	IFBx PWM dimming frequency - direct PWM mode	0.1		50	KHz
F _{PWM_I}	PWM input signal frequency	0.1		22	KHz
F _{BOOST}	Boost regulator switching frequency	300		1000	KHz
T _A	Operating free-air temperature	-40		85	°C
T _J	Operating junction temperature	-40		125	°C

(1) 5 µs min pulse on time.

THERMAL INFORMATION

THERMAL METRIC ⁽¹⁾		TPS61187			UNITS
		RTJ			
		20			
θ_{JA}	Junction-to-ambient thermal resistance	39.9			°C/W
$\theta_{JC(top)}$	Junction-to-case(top) thermal resistance	34.0			
θ_{JB}	Junction-to-board thermal resistance	9.9			
ψ_{JT}	Junction-to-top characterization parameter	0.6			
ψ_{JB}	Junction-to-board characterization parameter	9.5			
$\theta_{JC(bottom)}$	Junction-to-case(bottom) thermal resistance	2			

(1) 有关传统和新的热度的更多信息，请参阅 IC 封装热量量 应用报告 [SPRA953](#)。

ELECTRICAL CHARACTERISTICS

$V_{IN} = 12V$, PWM/EN = high, IFB current = 20mA, IFB voltage = 500mV, $T_A = -40^{\circ}C$ to $85^{\circ}C$, typical values are at $T_A = 25^{\circ}C$ (unless otherwise noted)

PARAMETER		TEST CONDITIONS	MIN	TYP	MAX	UNIT
SUPPLY CURRENT						
V_{IN}	Input voltage range		4.5		24	V
I_{q_VIN}	Operating quiescent current into Vin	Device enable, switching 1MHz and no load, $V_{IN} = 24V$			4.0	mA
VDDIO	VDDIO pin output voltage	Iload = 5 mA	3.0	3.3	3.6	V
I_{SD}	Shutdown current	$V_{IN} = 12V$, EN = low			11	μA
		$V_{IN} = 24V$, EN = low			16	
V_{IN_UVLO}	V_{IN} under-voltage lockout threshold	V_{IN} ramp down			3.50	V
		V_{IN} ramp up			3.75	
V_{IN_Hys}	V_{IN} under-voltage lockout hysteresis			250		mV
PWM						
V_H	EN Logic high threshold	EN	2.1			V
V_L	EN Logic low threshold	EN			0.8	
V_H	PWM Logic high threshold	PWM	2.1			
V_L	PWM Logic low threshold	PWM			0.8	
R_{PD}	Pull down resistor on PWM and EN		400	800	1600	k Ω
CURRENT REGULATION						
V_{ISET}	ISET pin voltage		1.204	1.229	1.253	V
K_{ISET}	Current multiplier			980		
I_{FB}	Current accuracy	$I_{ISET} = 20\mu A$, $0^{\circ}C$ to $70^{\circ}C$	-2%		2%	
		$I_{ISET} = 20\mu A$, $-40^{\circ}C$ to $85^{\circ}C$	-2.3%		2.3%	
K_m	$(I_{max} - I_{min}) / I_{AVG}$	$I_{ISET} = 20\mu A$		1.3%		
I_{leak}	IFB pin leakage current	IFB voltage = 15 V, each pin		2	5	μA
		IFB voltage = 5 V, each pin		1	2	
I_{IFB_max}	Current sink max output current	IFB = 350 mV	30			mA
f_{dim}	PWM dimming frequency	$R_{FPWM} = 9.09k\Omega$		20		kHz
BOOST OUTPUT REGULATION						
V_{IFB_L}	Output voltage up threshold	Measured on $V_{IFB(min)}$		350		mV
V_{IFB_H}	Output voltage down threshold	Measured on $V_{IFB(min)}$		650		mV
POWER SWITCH						
R_{PWM_SW}	PWM FET on-resistance	$V_{IN} = 12V$		0.25	0.35	Ω
I_{LN_NFET}	PWM FET leakage current	$V_{SW} = 40V$, $T_A = 25^{\circ}C$			2	μA

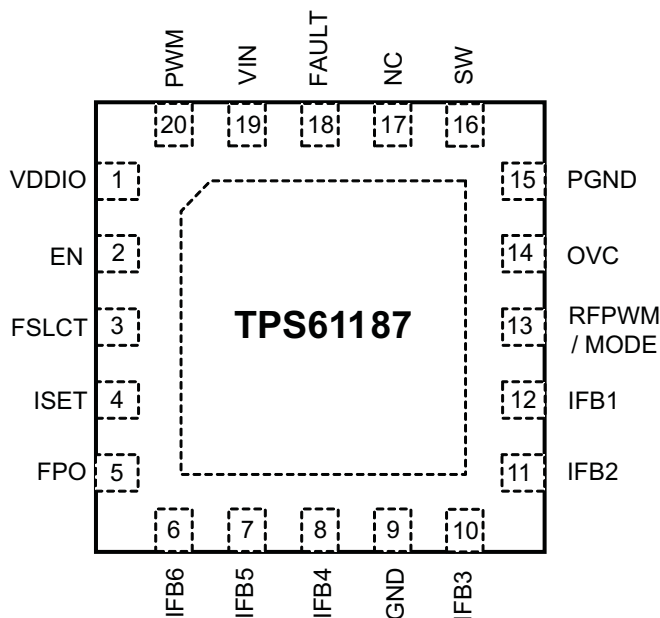
ELECTRICAL CHARACTERISTICS (continued)

$V_{IN} = 12V$, PWM/EN = high, IFB current = 20mA, IFB voltage = 500mV, $T_A = -40^{\circ}C$ to $85^{\circ}C$, typical values are at $T_A = 25^{\circ}C$ (unless otherwise noted)

PARAMETER		TEST CONDITIONS	MIN	TYP	MAX	UNIT
OSCILLATOR						
f_S	Oscillator frequency	$R_{FSW} = 499\text{ k}\Omega$	0.8	1.0	1.2	MHz
D_{max}	Maximum duty cycle	IFB = 0	94%			
OC, SC, OVP AND SS						
I_{LIM}	N-Channel MOSFET current limit	$D = D_{max}$	2.0		3.0	A
V_{CLAMP_TH}	Output voltage clamp program threshold		1.90	1.95	2.00	V
V_{OVP_IFB}	IFB overvoltage threshold	Measured on the IFBx pin, IFB on	12	13.5	15	V
FPO, FAULT						
V_{FPO_L}	FPO Logic low voltage	$I_{SOURCE} = 0.5\text{ mA}$			0.4	V
V_{FAULT_HIGH}	Fault high voltage	Measured as $V_{IN} - V_{FAULT}$		0.1		V
V_{FAULT_LOW}	Fault low voltage	Measured as $V_{IN} - V_{FAULT}$, Sink, 10 μ A	6	8	10	V
I_{FAULT}	Maximum sink current	$V_{IN} - V_{FAULT} = 0\text{ V}$		20		μ A
THERMAL SHUTDOWN						
$T_{shutdown}$	Thermal shutdown threshold			150		$^{\circ}C$
	Thermal shutdown hysteresis			15		

DEVICE INFORMATION

**20 PIN 4mm × 4mm RTJ PACKAGE
TOP VIEW**



PowerPAD information goes here.

PIN FUNCTIONS

PIN		DESCRIPTION
NAME	NO.	
VDDIO	1	Internal pre_regulator. Connect a 1.0 μ F ceramic capacitor to VDDIO.
EN	2	Enable
FSLCT	3	Switching frequency selection pin. Use a resistor to set the frequency between 300kHz to 1.0MHz
ISET	4	Full-scale LED current set pin. Connecting a resistor to the pin programs the current level.
FPO	5	Fault protection output to indicate fault conditions including OVP, OC, and OT
IFB1 to IFB6	6,7,8, 10,11,12	Regulated current sink input pins
GND	9	Analog ground
RFPWM / MODE	13	Dimming frequency program pin with an external resistor / mode selection, see ⁽¹⁾
OVC	14	Over-voltage clamp pin / voltage feedback, see ⁽¹⁾
PGND	15	Power ground
SW	16	Drain connection of the internal power FET
NC	17	No connection
FAULT	18	Fault pin to drive external ISO FET
VIN	19	Supply input pin
PWM	20	PWM signal input pin

(1) See Application Information section for details.

TYPICAL CHARACTERISTICS

TABLE OF GRAPHS

TITLE	DESCRIPTION	FIGURE
Efficiency vs Load current by output voltage	$V_{IN} = 12\text{ V}$, $V_{OUT} = 28\text{ V}$, 32 V , 36 V , $L = 10\text{ }\mu\text{H}$	Figure 2
Efficiency vs Load current by input voltage	$V_{OUT} = 32\text{ V}$, $V_{IN} = 8\text{ V}$, 12 V , 24 V , $L = 10\text{ }\mu\text{H}$	Figure 3
Efficiency vs PWM duty	$V_{OUT} = 32\text{ V}$, $V_{IN} = 8\text{ V}$, 12 V , 24 V , $F_{DIM} = 200\text{ Hz}$, $L = 10\text{ }\mu\text{H}$, $R_{ISET} = 62\text{ k}\Omega$	Figure 4
Dimming linearity	$V_{OUT} = 32\text{ V}$, $V_{IN} = 8\text{ V}$, 12 V , 24 V , $F_{DIM} = 20\text{ KHz}$, $L = 10\text{ }\mu\text{H}$, $R_{ISET} = 62\text{ k}\Omega$	Figure 5
Dimming linearity	$V_{OUT} = 32\text{ V}$, $V_{IN} = 8\text{ V}$, 12 V , 24 V , $F_{DIM} = 200\text{ Hz}$, $L = 10\text{ }\mu\text{H}$, $R_{ISET} = 62\text{ k}\Omega$	Figure 6
Boost switching frequency	$V_{IN} = 12\text{ V}$, $V_{OUT} = 33.8\text{ V}$, $L = 10\text{ }\mu\text{H}$, $R_{ISET} = 62\text{ k}\Omega$	Figure 7
Phase shift dimming frequency	$V_{IN} = 12\text{ V}$, $V_{OUT} = 33.8\text{ V}$, $L = 10\text{ }\mu\text{H}$, $R_{ISET} = 62\text{ k}\Omega$	Figure 8
Switch waveform	$V_{IN} = 8\text{ V}$, $V_{OUT} = 33.8\text{ V}$, $F_{DIM} = 20\text{ kHz}$, Duty = 100%, $L = 10\text{ }\mu\text{H}$, $R_{ISET} = 62\text{ k}\Omega$	Figure 9
Switch waveform	$V_{IN} = 12\text{ V}$, $V_{OUT} = 33.8\text{ V}$, $F_{DIM} = 20\text{ kHz}$, Duty = 100%, $L = 10\text{ }\mu\text{H}$, $R_{ISET} = 62\text{ k}\Omega$	Figure 10
Phase shift PWM dimming $F_{DIM} = 200\text{Hz}$, duty = 50%	$V_{IN} = 12\text{ V}$, $V_{OUT} = 33.8\text{ V}$, $F_{DIM} = 20\text{ kHz}$, Duty = 45%, $L = 10\text{ }\mu\text{H}$, $R_{ISET} = 62\text{ k}\Omega$	Figure 11
Phase shift PWM dimming $F_{DIM} = 20\text{KHz}$, duty = 50%	$V_{IN} = 12\text{ V}$, $V_{OUT} = 33.8\text{ V}$, $F_{DIM} = 20\text{ kHz}$, Duty = 51%, $L = 10\text{ }\mu\text{H}$, $R_{ISET} = 62\text{ k}\Omega$	Figure 12
Output ripple of Phase shift PWM dimming	$V_{IN} = 12\text{ V}$, $V_{OUT} = 33.8\text{ V}$, $F_{DIM} = 20\text{ kHz}$, Duty = 50%, $L = 10\text{ }\mu\text{H}$, $R_{ISET} = 62\text{ k}\Omega$	Figure 13
Output ripple of Phase shift PWM dimming	$V_{IN} = 12\text{ V}$, $V_{OUT} = 33.8\text{ V}$, $F_{DIM} = 20\text{ kHz}$, Duty = 70%, $L = 10\text{ }\mu\text{H}$, $R_{ISET} = 62\text{ k}\Omega$	Figure 14
Start up waveform	$V_{IN} = 12\text{ V}$, $V_{OUT} = 33.8\text{ V}$, $F_{DIM} = 20\text{ kHz}$, Duty = 100%, $L = 10\text{ }\mu\text{H}$, $R_{ISET} = 62\text{ k}\Omega$	Figure 15
Start up waveform	$V_{IN} = 12\text{ V}$, $V_{OUT} = 33.8\text{ V}$, $F_{DIM} = 20\text{ kHz}$, Duty = 50%, $L = 10\text{ }\mu\text{H}$, $R_{ISET} = 62\text{ k}\Omega$	Figure 16

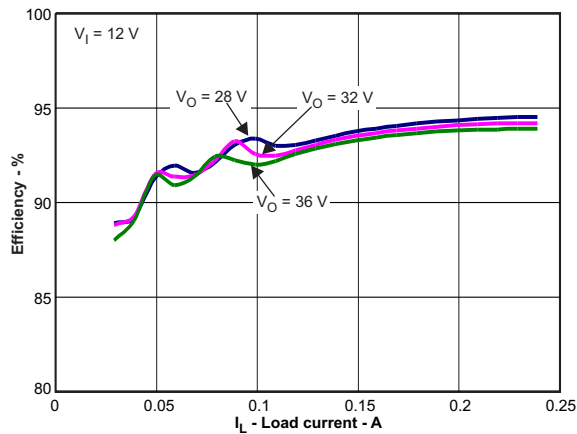


Figure 2. Efficiency

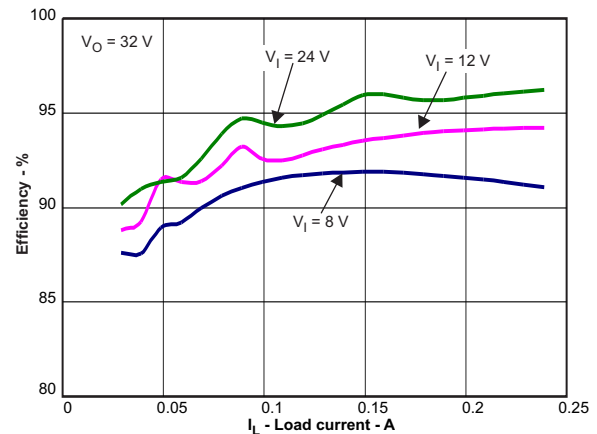


Figure 3. Efficiency

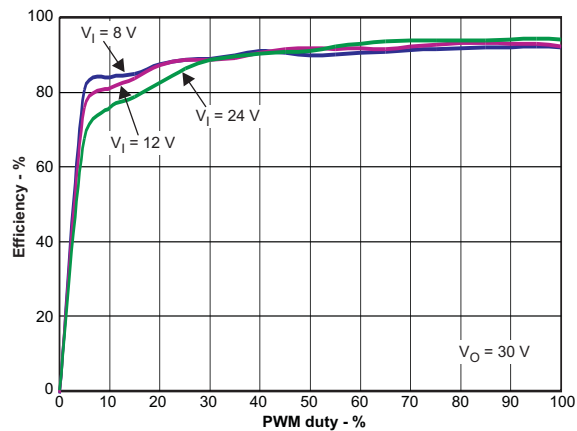


Figure 4. Efficiency

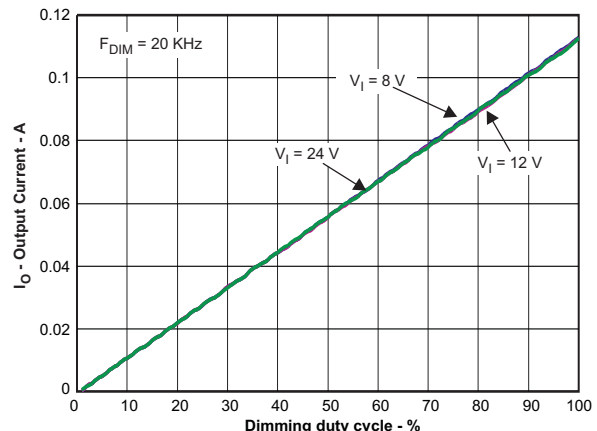


Figure 5. Output Current

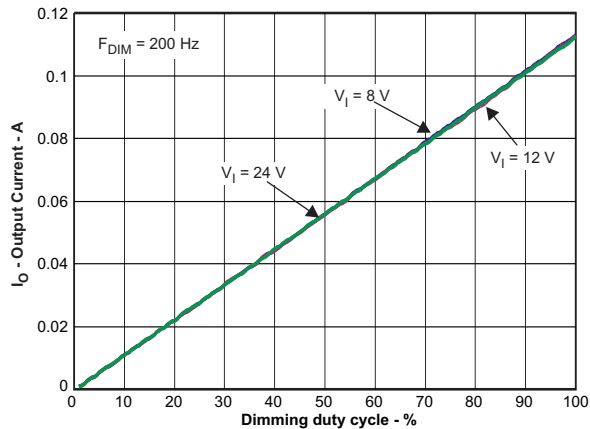


Figure 6. Output Current

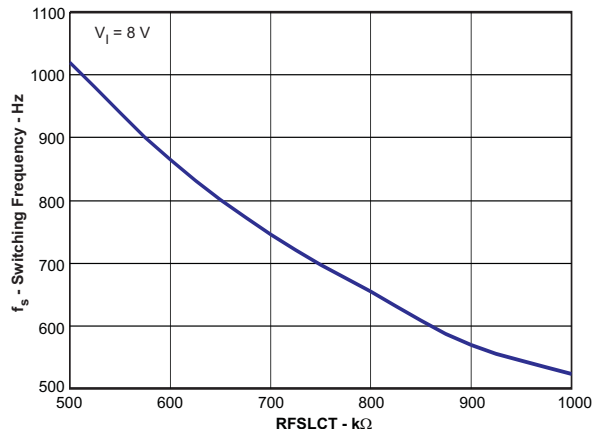


Figure 7. Switching Frequency

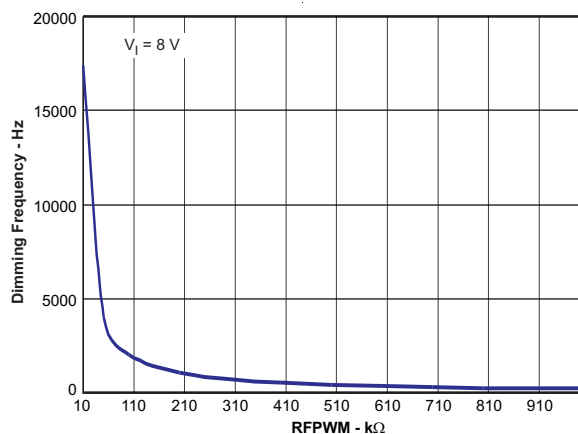


Figure 8. Dimming Frequency

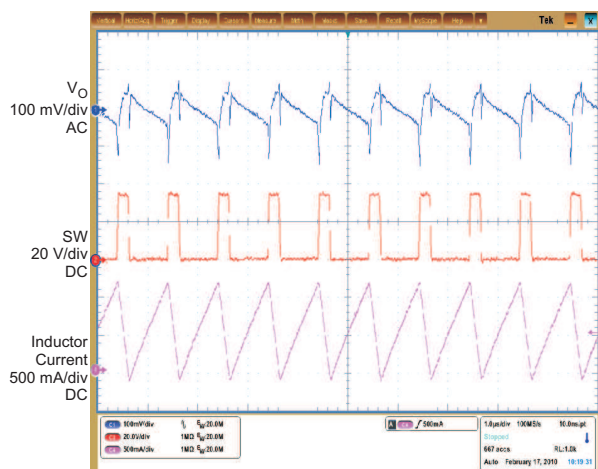


Figure 9. Switch Waveform

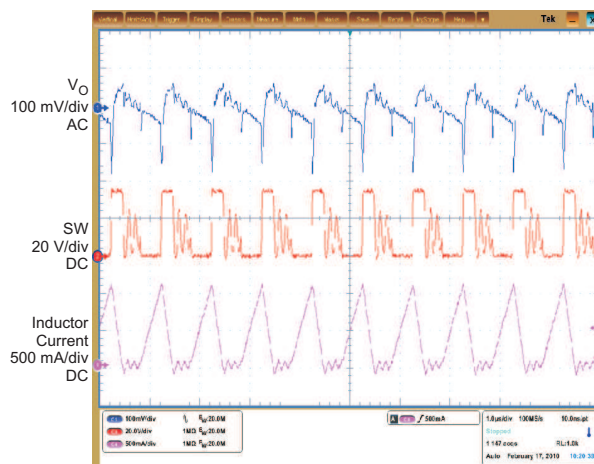


Figure 10. Switch Waveform

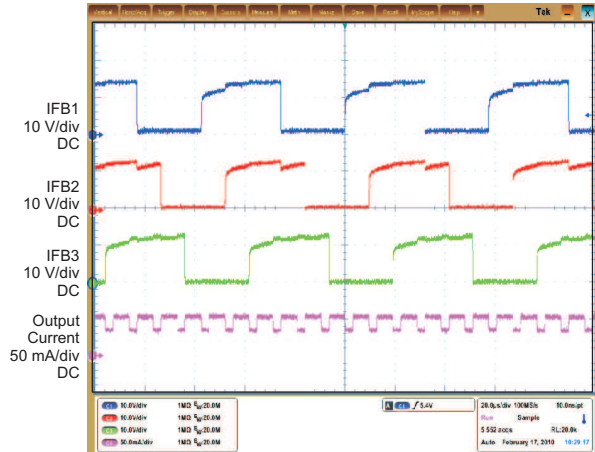


Figure 11. Phase Shift Waveform

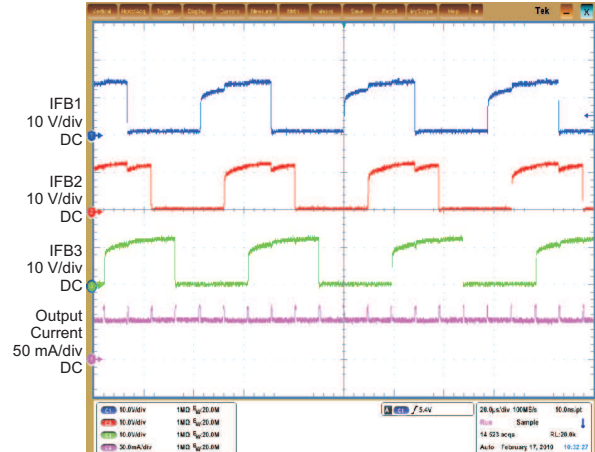


Figure 12. Phase Shift Waveform

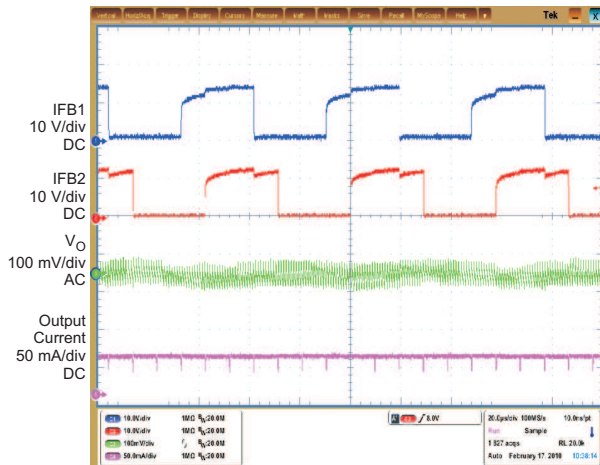


Figure 13. Output Ripple Waveform

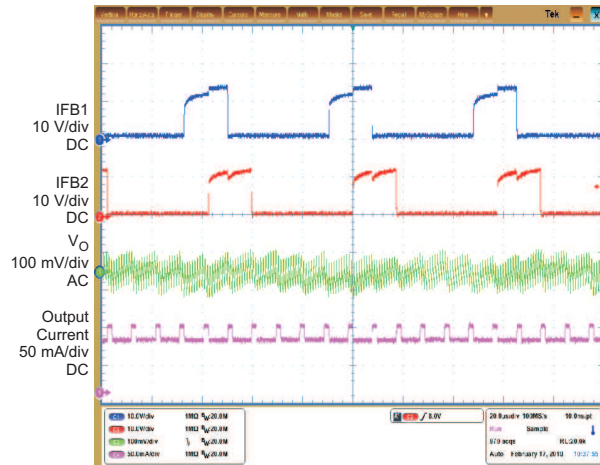


Figure 14. Output Ripple Waveform

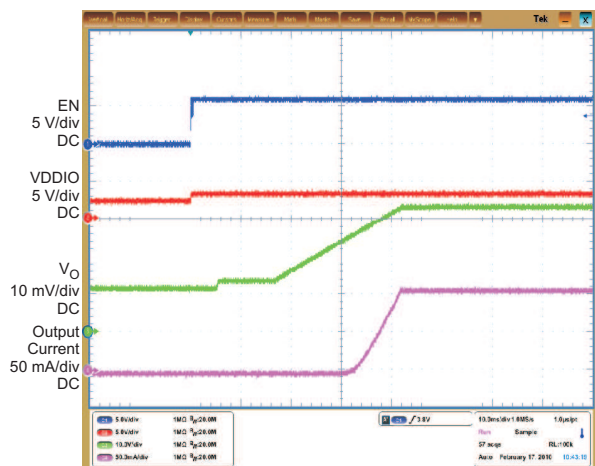


Figure 15. Start Up Waveform

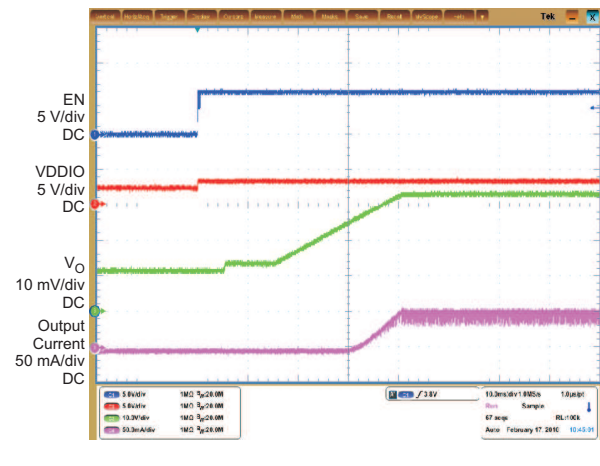
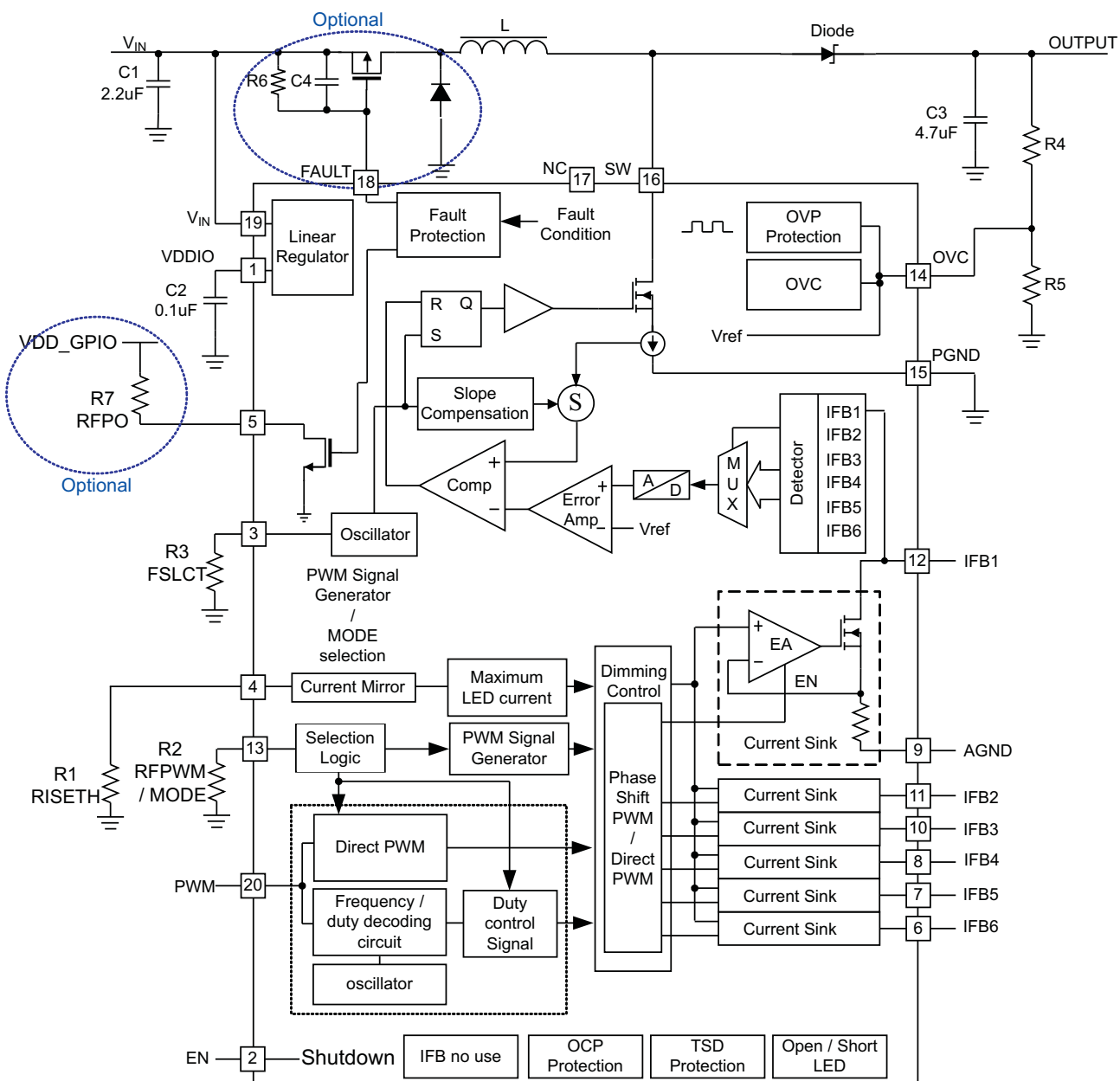


Figure 16. Start Up Waveform

FUNCTIONAL BLOCK DIAGRAM



DETAILED DESCRIPTION

NORMAL OPERATION

The TPS61187 is a high efficiency, high output voltage white LED driver for notebook panel backlighting applications. The advantages of white LEDs compared to CCFL backlights are higher power efficiency and lower profile design. Due to the large number of white LEDs required to provide backlighting for medium to large display panels, the LEDs must be arranged in parallel strings of several LEDs in series. Therefore, the backlight driver for battery powered systems is almost always a boost regulator with multiple current sink regulators. Having more white LEDs in series reduces the number of parallel strings and therefore improves overall current matching. However, the efficiency of the boost regulator declines due to the need for high output voltage. Also, there must be enough white LEDs in series to ensure the output voltage stays above the input voltage range.

The TPS61187 IC has integrated all of the key function blocks to power and control up to 60 white LEDs. The device includes a 40 V / 2 A boost regulator, six 30 mA current sink regulators, and a protection circuit for over-current, over-voltage, Open LED, Short LED, and output short circuit failures.

The TPS61187 integrates auto phase shifted PWM dimming methods with the PWM interface to reduce the output ripple voltage and audible noise. An optional direct PWM mode is user selectable through the MODE selection function.

SUPPLY VOLTAGE

The TPS61187 IC has a built-in linear regulator to supply the IC analog and logic circuit. The VDDIO pin, output of the regulator, is connected to a 1 μ F bypass capacitor for the regulator to be controlled in a stable loop. VDDIO does not have high current sourcing capability for external use but it can be tied to the EN pin for start up.

BOOST REGULATOR AND PROGRAMMABLE SWITCH FREQUENCY (F_{SW})

The fixed-frequency PWM boost converter uses current-mode control and has integrated loop compensation. The internal compensation ensures stable output over the full input and output voltage ranges assuming the recommended inductance and output capacitance values shown in the Typical Application – Phase Shift PWM Mode figure are used. The output voltage of the boost regulator is automatically set by the IC to minimize voltage drop across the IFB pins. The IC regulates the lowest IFB pin to 350 mV, and consistently adjusts the boost output voltage to account for any changes in LED forward voltages. If the input voltage is higher than the sum of the white LED forward voltage drops (e.g., at low duty cycles), the boost converter is not able to regulate the output due to its minimum duty cycle limitation. In this case, increase the number of WLEDs in series or include series ballast resistors in order to provide enough headroom for the converter to boost the output voltage. Since the TPS61187 integrates a 2.0A/40V power MOSFET, the boost converter can provide up to a 38 V output voltage.

The TPS61187 switching frequency can be programmed between 300 kHz to 1.0MHz by the resistor value on the FSLCT pin according to [Equation 1](#):

$$F_{SW} = \frac{5 \times 10^{11}}{R_{FSLCT}} \quad (1)$$

Where: R_{FSLCT} = FSLCT pin resistor

See [Figure 7](#) for boost converter switching frequency adjustment resistor R_{FSLCT} selection.

The adjustable switching frequency feature provides the user with the flexibility of choosing a faster switching frequency, and therefore, an inductor with smaller inductance and footprint or slower switching frequency, and therefore, potentially higher efficiency due to lower switching losses. Use [Equation 1](#) or refer to [Table 1](#) to select the correct value:

Table 1. R_{FSLCT} Recommendations

R_{FLCT}	F_{SW}
833K	600 KHz
625K	800 KHz
499K	1 MHz

LED CURRENT SINKS

The six current sink regulators embedded in the TPS61187 can be collectively configured to provide up to a maximum of 30 mA each. These six specialized current sinks are accurate to within $\pm 2\%$ max for currents at 20 mA, with a string-to-string difference of $\pm 1.5\%$ typical.

The IFB current must be programmed to the highest WLED current expected using the ISETH pin resistor and [Equation 2](#).

$$I_{FB} = \frac{V_{ISETH}}{R_{ISETH}} \times K_{ISET} \quad (2)$$

Where:

$$\begin{aligned} K_{ISET} &= 980 \text{ (current multiple)} \\ V_{ISETH} &= 1.229\text{V (ISETH pin voltage)} \\ R_{ISETH} &= \text{ISETH pin resistor} \end{aligned}$$

ENABLE AND STARTUP

The internal regulator which provides VDDIO wakes up as soon as V_{IN} is applied even when EN is low. This allows the IC to start when EN is tied to the VDDIO pin. VDDIO does not come to full regulation until EN is high. The TPS61187 checks the status of all current feedback channels and shuts down any unused feedback channels. It is recommended to short the unused channels to ground for faster startup.

After the device is enabled, if the PWM pin is left floating, the output voltage of the TPS61187 regulates to the minimum output voltage. Once the IC detects a voltage on the PWM pin, the TPS61187 begins to regulate the IFB pin current, as pre-set per the ISETH pin resistor, according to the duty cycle of the signal on the PWM pin. The boost converter output voltage rises to the appropriate level to accommodate the sum of the white LED string with the highest forward voltage drops plus the headroom of the current sink at that current.

Pulling the EN pin low shuts down the IC, resulting in the IC consuming less than 11 μA in shutdown mode.

IFB PIN UNUSED

The TPS61187 has open/short string detection. For an unused IFB string, simply short it to ground or leave it open. Shorting unused IFB pins to ground for faster startup is recommended.

BRIGHTNESS DIMMING CONTROL

The TPS61187 has auto phase shifted PWM dimming control with the PWM control interface.

The internal decoder block detects duty information from the input PWM signal, saves it in an eight bit register and delivers it to the output PWM dimming control circuit. The output PWM dimming control circuit turns on/off six output current sinks at the PWM frequency set by RFPWM and the duty cycle from the decoder block.

The TPS61187 also has direct PWM dimming control with the PWM control interface. In direct PWM mode, each current sink turns on/off at the same frequency and duty cycle as the input PWM signal. See the *Mode Selection* section for dimming mode selection.

When in phase shifted PWM mode, it is recommended to insert a series resistor of 10k Ω to 20k Ω value close to PWMIN pin. This resistor together with an internal capacitor forms a low pass R-C filter with 30ns to 60ns time constant. This prevents possible high frequency noises being coupled into the input PWM signal and causing interference to the internal duty cycle decoding circuit. However, it is not necessary for direct PWM mode since the duty cycle decoding circuit is disabled during the direct PWM mode.

ADJUSTBLE PWM DIMMING FREQUENCY AND MODE SELECTION (R_FPWM / MODE)

The TPS61187 can operate in auto phase shift mode or direct PWM mode. Tying the RFPWM/MODE pin to VDDIO forces the IC to operate in direct PWM mode. A resistor between the RFPWM/MODE pin and ground sets the IC into auto phase shift mode and the value of the resistor determines the PWM dimming frequency. Use [Equation 3](#) or refer to [Table 2](#) to select the correct value:

$$F_{DIM} = \frac{1.818 \times 10^8}{R_{FPWM}} \quad (3)$$

Where: R_{FPWM} = RFPWM pin resistor

Table 2. R_{FPWM} Recommendations

R_{FPWM}	F_{DIM}
866 k Ω	210 Hz
432 k Ω	420 Hz
174 k Ω	1.05 kHz
9.09 k Ω	20 kHz

MODE SELECTION – PHASE SHIFT PWM OR DIRECT PWM DIMMING

The phase shift PWM dimming method or direct PWM dimming method can be selected through the RFPWM pin. By attaching an external resistor to the RFPWM pin, the default phase shift PWM mode can be selected. To select direct PWM mode, the RFPWM pin needs to be tied to the VDDIO pin. The RFPWM/MODE pin can be noise sensitive when R2 has high impedance. In this case, careful layout or a parallel bypassing capacitor improves noise sensitivity but the value of the parallel capacitor may not exceed 33 pF for oscillator stability.

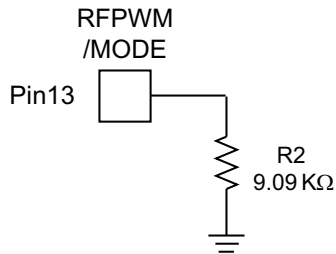


Figure 17. Phase Shift PWM Dimming Mode Selection

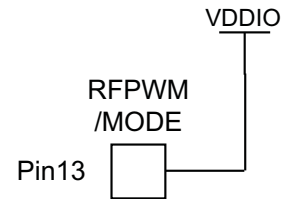


Figure 18. Direct PWM Dimming Mode Selection

PHASE SHIFT PWM DIMMING

In phase shift PWM mode, all current feedback channels are turned on and off at F_{DIM} frequency with a constant delay. However, the number of used channels and PWM dimming frequency determine the delay time between two neighboring channels per Equation 4.

$$T_{\text{delay}} = \frac{1}{n \times F_{DIM}} \tag{4}$$

Where: n is the number of used channels

F_{DIM} is the PWM dimming frequency which is determined by the value of R_{FPWM} on the RFPWM pin. Figure 19 provides the detailed timing diagram of the phase shift PWM dimming mode.

In phase shift PWM mode, the internal decoder converts the duty cycle information from the applied PWM signal at the PWM pin into an 8-bit digital signal and stores it into a register. The integrated dimming control circuit reconstructs the PWM duty cycle per the register value and sends it to each of the current sinks. In order to avoid any flickering while the duty cycle information is reconstructed from the register, one LSB (1/256) of duty cycle hysteresis is included which results in 1/256 resolution when incrementing the applied signal's duty cycle but 2/256 resolution when decrementing the duty cycle.

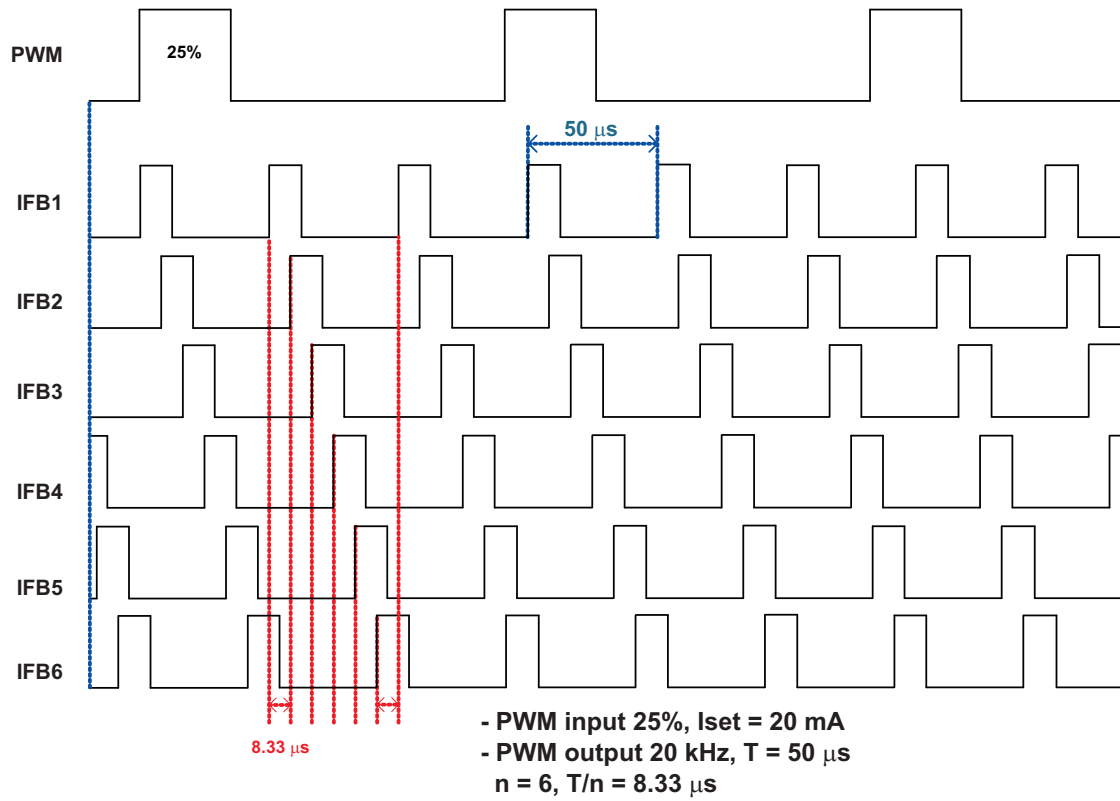


Figure 19. Phase Shift PWM Dimming Timing Diagram

DIRECT PWM DIMMING

In direct PWM mode, all current feedback channels are turned on and off and are synchronized with the input PWM signal.

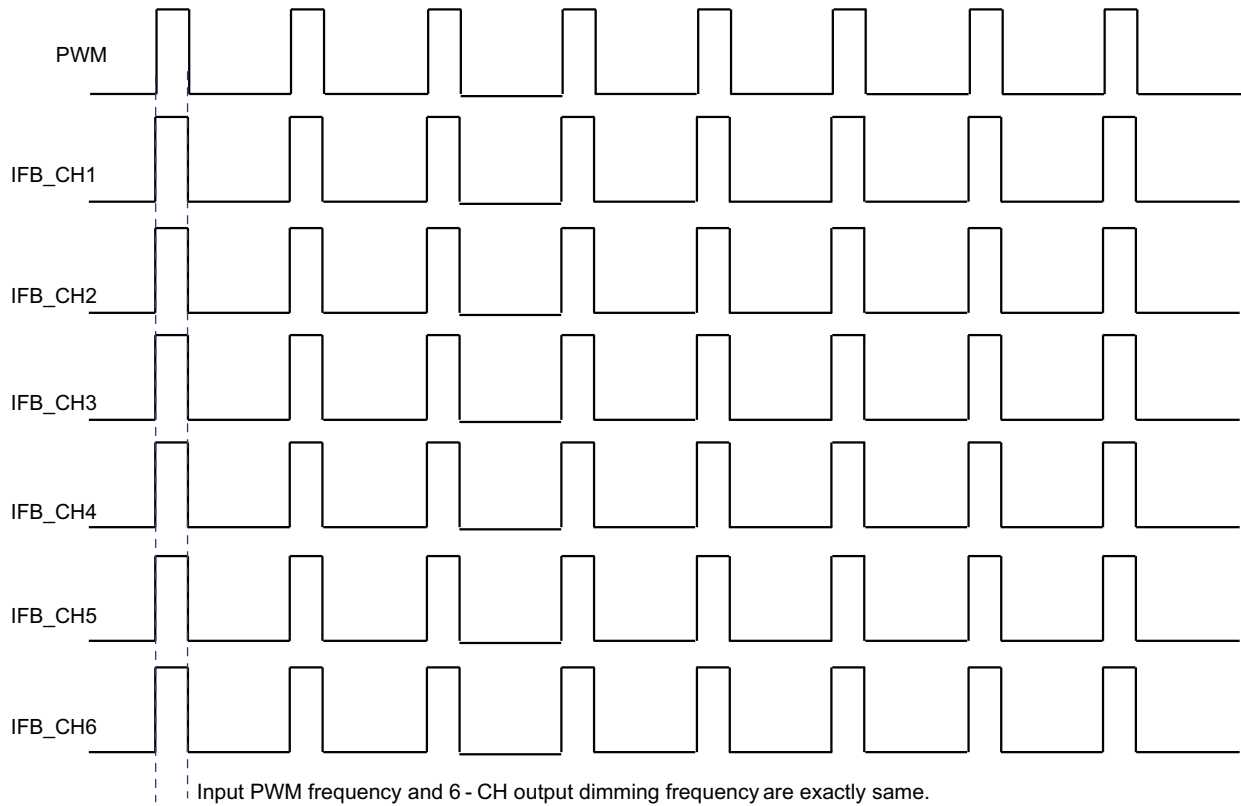


Figure 20. Direct PWM Dimming Timing Diagram

OVER VOLTAGE CLAMP / VOLTAGE FEEDBACK (OVC / FB)

The correct divider ratio is important for optimum operation of the TPS61187. Use the following guidelines to choose the divider value. It can be noise sensitive if R_{upper} and R_{down} have high impedance. Careful layout is required. Also, choose lower resistance values for R_{upper} and R_{down} when power dissipation allows.

Step1. Determine the maximum output voltage, V_O , for the system according to the number of series WLEDs.

Step2. Select an R_{upper} resistor value (1 M Ω for a typical application; a lower value such as 100 k Ω for a noisy environment).

Step3. Calculate R_{down} using [Equation 5](#).

$$V_{OVP} = \left(\frac{R_{upper}}{R_{down}} + 1 \right) \times V_{OV_TH} \quad (5)$$

Where: $V_{OV_TH} = 1.95$ V

When the IC detects that the OVC pin exceeds 1.95 V typical, indicating that the output voltage is over the set threshold point, the OVC circuitry clamps the output voltage to the set threshold.

CURRENT SINK OPEN PROTECTION

For the TPS61187, if one of the WLED strings is open, the IC automatically detects and disables that string. The IC detects the open WLED string by sensing no current in the corresponding IFB pin. As a result, the IC deactivates the open IFB pin and removes it from the voltage feedback loop. Subsequently, the output voltage drops and is regulated to the minimum voltage required for the connected WLED strings. The IFB current of the connected WLED strings remains in regulation.

If any IFB pin voltage exceeds the IFB over-voltage threshold (13.5 V typical), the IC turns off the corresponding current sink and removes this IFB pin from the regulation loop. The current regulation of the remaining IFB pins is not affected. This condition often occurs when there are several shorted WLEDs in one string. WLED mismatch typically does not create large voltage differences among WLED strings.

The IC only shuts down if it detects that all of the WLED strings are open. If an open string is reconnected again, a power-on reset (POR) or EN pin toggling is required to reactivate a previously deactivated string.

OVER CURRENT AND SHORT CIRCUIT PROTECTION

The TPS61187 has a pulse-by-pulse over-current limit of 2.0 A (min). The PWM switch turns off when the inductor current reaches this current threshold. The PWM switch remains off until the beginning of the next switching cycle. This protects the IC and external components during on overload conditions. When there is a sustained over-current condition, the IC turns off and requires a POR or EN pin toggling to restart. Under severe over-load and/or short circuit conditions, the boost output voltage can be pulled below the required regulated voltage to keep all of the white LEDs operating. Under this condition, the current flows directly from input to output through the inductor and schottky diode. To protect the TPS61187, the device shuts down immediately. The IC restarts after input POR or EN pin toggling.

THERMAL PROTECTION

When the junction temperature of the TPS61187 is over 150°C, the thermal protection circuit is triggered and shuts down the device immediately. Only a POR or EN pin toggling clears the protection and restarts the device.

APPLICATION INFORMATION

INDUCTOR SELECTION

Because selection of the inductor affects power supply steady state operation, transient behavior, and loop stability, the inductor is the most important component in switching power regulator design. There are three specifications most important to the performance of the inductor: inductor value, dc resistance, and saturation current. The TPS61187 is designed to work with inductor values between 10 μH and 47 μH . A 10 μH inductor is typically available in a smaller or lower profile package, while a 47 μH inductor may produce higher efficiency due to a slower switching frequency and/or lower inductor ripple. If the boost output current is limited by the over-current protection of the IC, using a 10 μH inductor and the highest switching frequency maximizes controller output current capability.

Internal loop compensation for PWM control is optimized for the external component values, including typical tolerances, recommended in [Table 3](#). Inductor values can have $\pm 20\%$ tolerance with no current bias. When the inductor current approaches saturation level, its inductance can decrease 20% to 35% from the 0 A value depending on how the inductor vendor defines saturation. In a boost regulator, the inductor dc current can be calculated with [Equation 6](#).

$$I_{\text{DC}} = \frac{V_{\text{out}} \times I_{\text{out}}}{V_{\text{in}} \times \eta} \quad (6)$$

Where:

V_{out} = boost output voltage

I_{out} = boost output current

V_{in} = boost input voltage

η = power conversion efficiency, use 90% for TPS61187 applications

The inductor current peak-to-peak ripple can be calculated with [Equation 7](#).

$$I_{\text{PP}} = \frac{1}{L \times \left(\frac{1}{V_{\text{out}} - V_{\text{in}}} + \frac{1}{V_{\text{in}}} \right) \times F_{\text{S}}} \quad (7)$$

Where:

I_{PP} = inductor peak-to-peak ripple

L = inductor value

F_{S} = Switching frequency

V_{out} = boost output voltage

V_{in} = boost input voltage

Therefore, the peak current seen by the inductor is calculated with [Equation 8](#).

$$I_{\text{P}} = I_{\text{DC}} + \frac{I_{\text{PP}}}{2} \quad (8)$$

Select an inductor with a saturation current over the calculated peak current. To calculate the worst case inductor peak current, use the minimum input voltage, maximum output voltage, and maximum load current.

Regulator efficiency is dependent on the resistance of its high current path and switching losses associated with the PWM switch and power diode. Although the TPS61187 IC has optimized the internal switch resistances, the overall efficiency is affected by the inductor dc resistance (DCR). Lower DCR improves efficiency. However, there is a trade off between DCR and inductor footprint; furthermore, shielded inductors typically have higher DCR than unshielded ones. [Table 3](#) lists the recommended inductors.

Table 3. Recommended Inductor for TPS61187

	L(μH)	DCR(mΩ)	Isat(A)	Size (L x W x H mm)
TOKO				
A915AY – 4R7M	4.7	38	1.87	5.2 x 5.2 x 3.0
A915AY – 100M	10	75	1.24	5.2 x 5.2 x 3.0
TDK				
SLF6028T – 4R7N1R6	4.7	38	1.87	5.2 x 5.2 x 3.0
SLF6028T – 4R7N1R6	10	75	1.24	5.2 x 5.2 x 3.0

OUTPUT CAPACITOR SELECTION

The output capacitor is mainly selected to meet the requirement for output ripple and loop stability. This ripple voltage is related to the capacitance of the capacitor and its equivalent series resistance (ESR). Assuming a capacitor with zero ESR, the minimum capacitance needed for a given ripple can be calculated with [Equation 9](#):

$$C_{out} = \frac{(V_{out} - V_{in}) \times I_{out}}{V_{out} \times F_s \times V_{ripple}} \quad (9)$$

Where:

V_{ripple} = peak-to-peak output ripple. The additional part of the ripple caused by ESR is calculated using:

$$V_{ripple_ESR} = I_{out} \times RESR$$

Due to its low ESR, V_{ripple_ESR} can be neglected for ceramic capacitors, but must be considered if tantalum or electrolytic capacitors are used. The controller output voltage also ripples due to the load transient that occurs during PWM dimming. The TPS61187 adopts a patented technology to limit this type of output ripple even with the minimum recommended output capacitance. In a typical application, the output ripple is less than 250 mV during PWM dimming with a 4.7 μF output capacitor. However, the output ripple decreases with higher output capacitances.

ISOLATION FET SELECTION

The TPS61187 provides a gate driver to an external P channel MOSFET which can be turned off during device shutdown or fault condition. This MOSFET can provide a true shutdown function and also protect the battery from output short circuit conditions. The source of the PMOS should be connected to the input, and a pull-up resistor is required between the source and gate of the FET to keep the FET off during IC shutdown. To turn on the isolation FET, the FAULT pin is pulled low and clamped at 8 V below the VBAT pin voltage. During device shutdown or fault condition, the isolation FET is turned off, and the input voltage is applied on the isolation MOSFET. During a short circuit condition, the catch diode (D2 in the typical application circuit) is forward biased when the isolation FET is turned off. The drain of the isolation FET swings below ground. The voltage across the isolation FET can be momentarily greater than the input voltage. Therefore, select a 30 V PMOS for a 24 V maximum input. The on resistance of the FET has a large impact on power conversion efficiency since the FET carries the input voltage. Select a MOSFET with R_{ds(on)} less than 100 mΩ to limit the power losses.

LAYOUT CONSIDERATION

As for all switching power supplies, especially those providing high current and using high switching frequencies, layout is an important design step. If layout is not carefully done, the regulator could show instability as well as EMI problems. Therefore, use wide and short traces for high current paths. The input capacitor, C1 in the Typical Application – Phase Shift PWM Mode figure, needs not only to be close to the VIN pin, but also to the GND pin in order to reduce the input ripple seen by the IC. The input capacitor, C1 in the typical application circuit, should also be placed close to the inductor. C2 is the filter and noise decoupling capacitor for the internal linear regulator powering the internal digital circuits. It should be placed as close as possible between the VDDIO and AGND pins to prevent any noise insertion to the digital circuits. The SW pin carries high current with fast rising and falling edges. Therefore, the connection between the pin to the inductor and schottky diode should be kept as short and wide as possible. It is also beneficial to have the ground of the output capacitor C3 close to the PGND pin since there is a large ground return current flowing between them. When laying out signal grounds, it is recommended to use short traces separated from power ground traces, and connect them together at a single point, for example on the thermal pad. The thermal pad needs to be soldered on to the PCB and connected to the GND pin of the IC. An additional thermal via can significantly improve power dissipation of the IC.

REVISION HISTORY

Changes from Original (June 2010) to Revision A	Page
• Changed 典型应用图	1
• Changed cermaic capacitor value, attached to VDDIO, from 0.1 to 1.0 μ F	5
• Changed bypass capacitor value in SUPPLY VOLTAGE section from 0.1 to 1.0 μ F.	10
• Changed BRIGHTNESS DIMMING CONTROL section	11
• Deleted PWM BRIGHTNESS CONTROL INTERFACE section	12
<hr/>	
Changes from Revision A (July 2010) to Revision B	Page
• Changed in ABS MAX table, in row "All other pins", MAX col: from 3.6 to 3.7	2
<hr/>	
Changes from Revision B (April 2011) to Revision C	Page
• Changed From: TPS61187 To: TPS61187RTJ in the PACKAGE INFORMATION table	2
• Added a description paragraph and replaced Figure 19 in the PHASE SHIFT PWM DIMMING section	12
<hr/>	
Changes from Revision C (September 2011) to Revision D	Page
• Changed Figure 2 X axis unit from mA to A	6
• Changed Figure 3 X axis unit from mA to A	6

PACKAGING INFORMATION

Orderable Device	Status (1)	Package Type	Package Drawing	Pins	Package Qty	Eco Plan (2)	Lead finish/ Ball material (6)	MSL Peak Temp (3)	Op Temp (°C)	Device Marking (4/5)	Samples
TPS61187RTJR	ACTIVE	QFN	RTJ	20	3000	RoHS & Green	NIPDAU	Level-2-260C-1 YEAR	-40 to 85	TPS 61187	Samples
TPS61187RTJT	ACTIVE	QFN	RTJ	20	250	RoHS & Green	NIPDAU	Level-2-260C-1 YEAR	-40 to 85	TPS 61187	Samples

(1) The marketing status values are defined as follows:

ACTIVE: Product device recommended for new designs.

LIFEBUY: TI has announced that the device will be discontinued, and a lifetime-buy period is in effect.

NRND: Not recommended for new designs. Device is in production to support existing customers, but TI does not recommend using this part in a new design.

PREVIEW: Device has been announced but is not in production. Samples may or may not be available.

OBSOLETE: TI has discontinued the production of the device.

(2) **RoHS:** TI defines "RoHS" to mean semiconductor products that are compliant with the current EU RoHS requirements for all 10 RoHS substances, including the requirement that RoHS substance do not exceed 0.1% by weight in homogeneous materials. Where designed to be soldered at high temperatures, "RoHS" products are suitable for use in specified lead-free processes. TI may reference these types of products as "Pb-Free".

RoHS Exempt: TI defines "RoHS Exempt" to mean products that contain lead but are compliant with EU RoHS pursuant to a specific EU RoHS exemption.

Green: TI defines "Green" to mean the content of Chlorine (Cl) and Bromine (Br) based flame retardants meet JS709B low halogen requirements of <=1000ppm threshold. Antimony trioxide based flame retardants must also meet the <=1000ppm threshold requirement.

(3) MSL, Peak Temp. - The Moisture Sensitivity Level rating according to the JEDEC industry standard classifications, and peak solder temperature.

(4) There may be additional marking, which relates to the logo, the lot trace code information, or the environmental category on the device.

(5) Multiple Device Markings will be inside parentheses. Only one Device Marking contained in parentheses and separated by a "~" will appear on a device. If a line is indented then it is a continuation of the previous line and the two combined represent the entire Device Marking for that device.

(6) Lead finish/Ball material - Orderable Devices may have multiple material finish options. Finish options are separated by a vertical ruled line. Lead finish/Ball material values may wrap to two lines if the finish value exceeds the maximum column width.

Important Information and Disclaimer: The information provided on this page represents TI's knowledge and belief as of the date that it is provided. TI bases its knowledge and belief on information provided by third parties, and makes no representation or warranty as to the accuracy of such information. Efforts are underway to better integrate information from third parties. TI has taken and continues to take reasonable steps to provide representative and accurate information but may not have conducted destructive testing or chemical analysis on incoming materials and chemicals. TI and TI suppliers consider certain information to be proprietary, and thus CAS numbers and other limited information may not be available for release.

In no event shall TI's liability arising out of such information exceed the total purchase price of the TI part(s) at issue in this document sold by TI to Customer on an annual basis.

TAPE AND REEL INFORMATION

QUADRANT ASSIGNMENTS FOR PIN 1 ORIENTATION IN TAPE


*All dimensions are nominal

Device	Package Type	Package Drawing	Pins	SPQ	Reel Diameter (mm)	Reel Width W1 (mm)	A0 (mm)	B0 (mm)	K0 (mm)	P1 (mm)	W (mm)	Pin1 Quadrant
TPS61187RTJR	QFN	RTJ	20	3000	330.0	12.4	4.35	4.35	1.1	8.0	12.0	Q2
TPS61187RTJT	QFN	RTJ	20	250	180.0	12.5	4.35	4.35	1.1	8.0	12.0	Q2

TAPE AND REEL BOX DIMENSIONS


*All dimensions are nominal

Device	Package Type	Package Drawing	Pins	SPQ	Length (mm)	Width (mm)	Height (mm)
TPS61187RTJR	QFN	RTJ	20	3000	205.0	200.0	33.0
TPS61187RTJT	QFN	RTJ	20	250	205.0	200.0	33.0

GENERIC PACKAGE VIEW

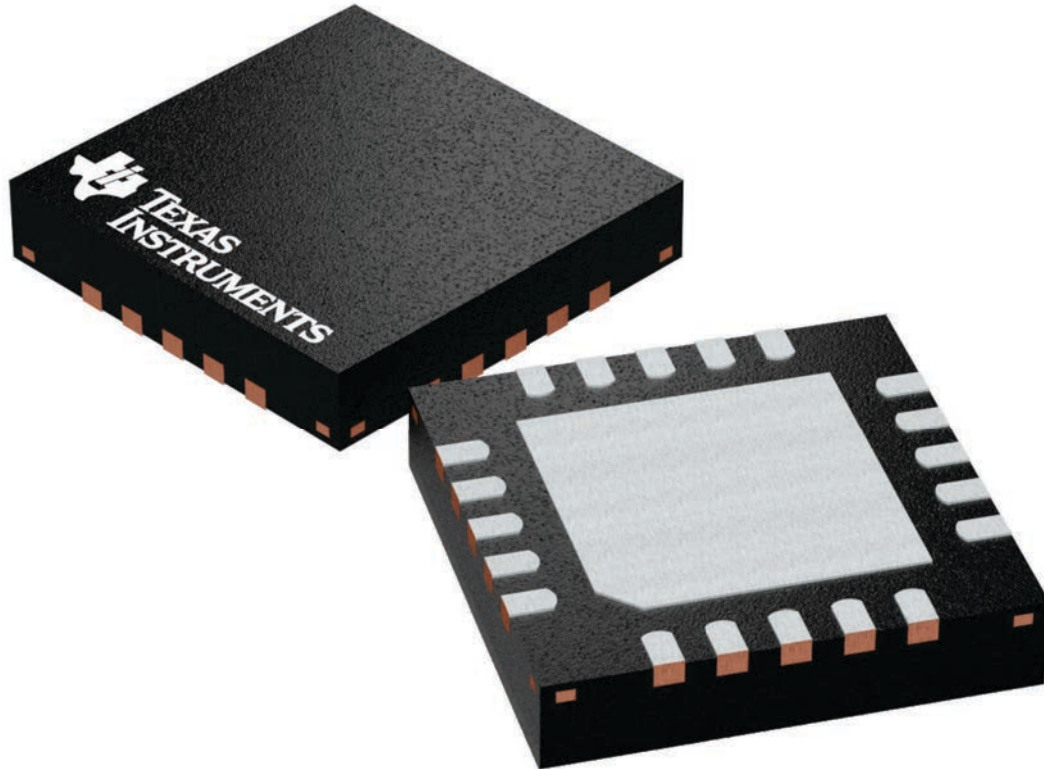
RTJ 20

WQFN - 0.8 mm max height

4 x 4, 0.5 mm pitch

PLASTIC QUAD FLATPACK - NO LEAD


This image is a representation of the package family, actual package may vary.
Refer to the product data sheet for package details.



4224842/A

DATA BOOK PACKAGE OUTLINE

LEADFRAME EXAMPLE
4222370

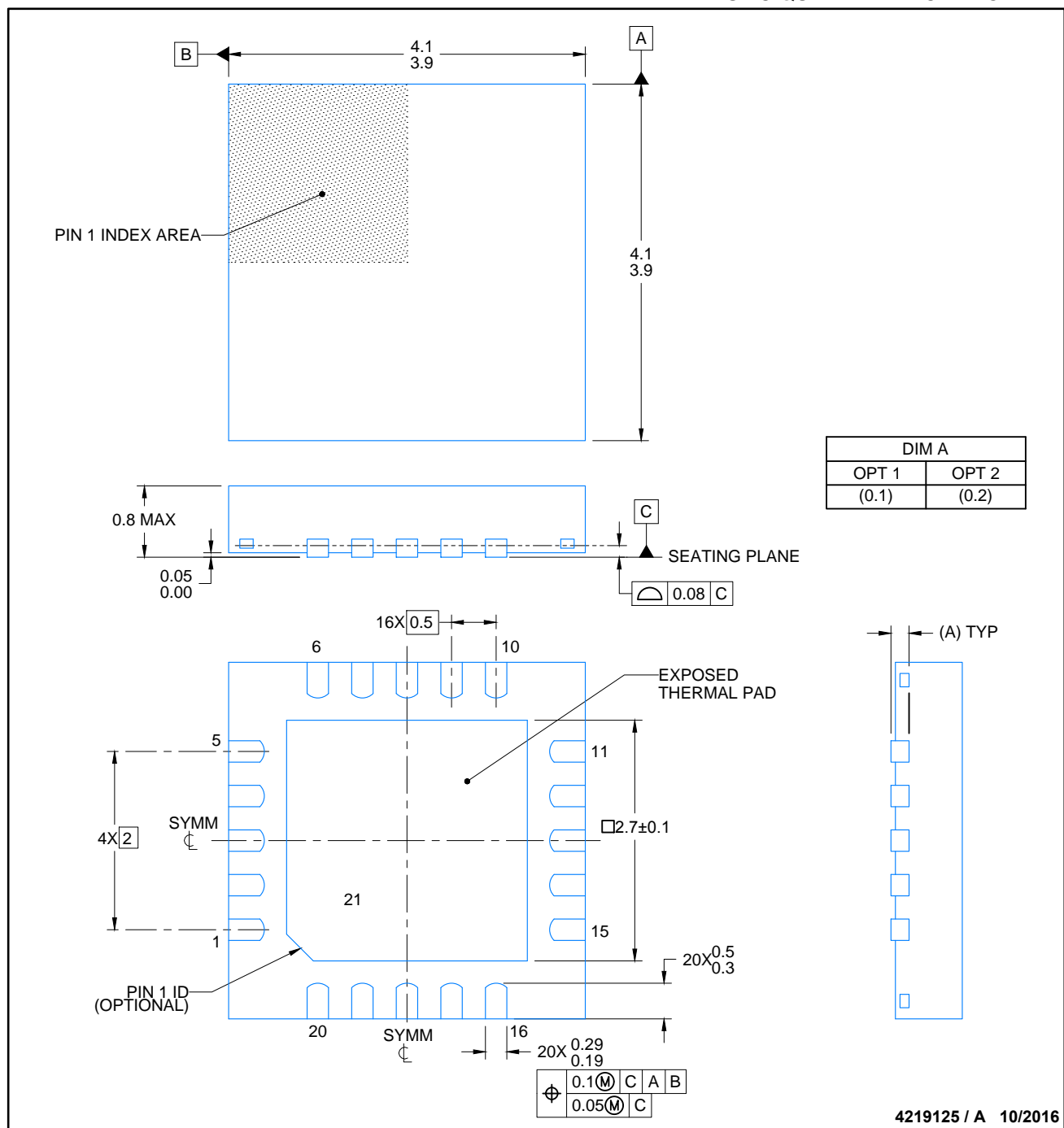
DRAFTSMAN: H. DENG	DATE: 09/12/2016		DIMENSIONS IN MILLIMETERS								
DESIGNER: H. DENG	DATE: 09/12/2016	 TEXAS INSTRUMENTS SEMICONDUCTOR OPERATIONS	CODE IDENTITY NUMBER 01295								
CHECKER: V. PAKU & T. LEQUANG	DATE: 09/12/2016		ePOD, RTJ0020D / WQFN, 20 PIN, 0.5 MM PITCH								
ENGINEER: T. TANG	DATE: 09/12/2016										
APPROVED: E. REY & D. CHIN	DATE: 10/06/2016										
RELEASED: WDM	DATE: 10/24/2016										
TEMPLATE INFO: EDGE# 4218519	DATE: 04/07/2016	<table border="1" style="display: inline-table; border-collapse: collapse;"> <tr> <td style="padding: 2px;">SCALE</td> <td style="padding: 2px;">SIZE</td> </tr> <tr> <td style="text-align: center;">15X</td> <td style="text-align: center;">A</td> </tr> </table>	SCALE	SIZE	15X	A	<table border="1" style="display: inline-table; border-collapse: collapse;"> <tr> <td style="padding: 2px;">REV</td> <td style="padding: 2px;">PAGE</td> </tr> <tr> <td style="text-align: center;">A</td> <td style="text-align: center;">1 OF 5</td> </tr> </table>	REV	PAGE	A	1 OF 5
SCALE	SIZE										
15X	A										
REV	PAGE										
A	1 OF 5										
		4219125									

RTJ0020D

PACKAGE OUTLINE

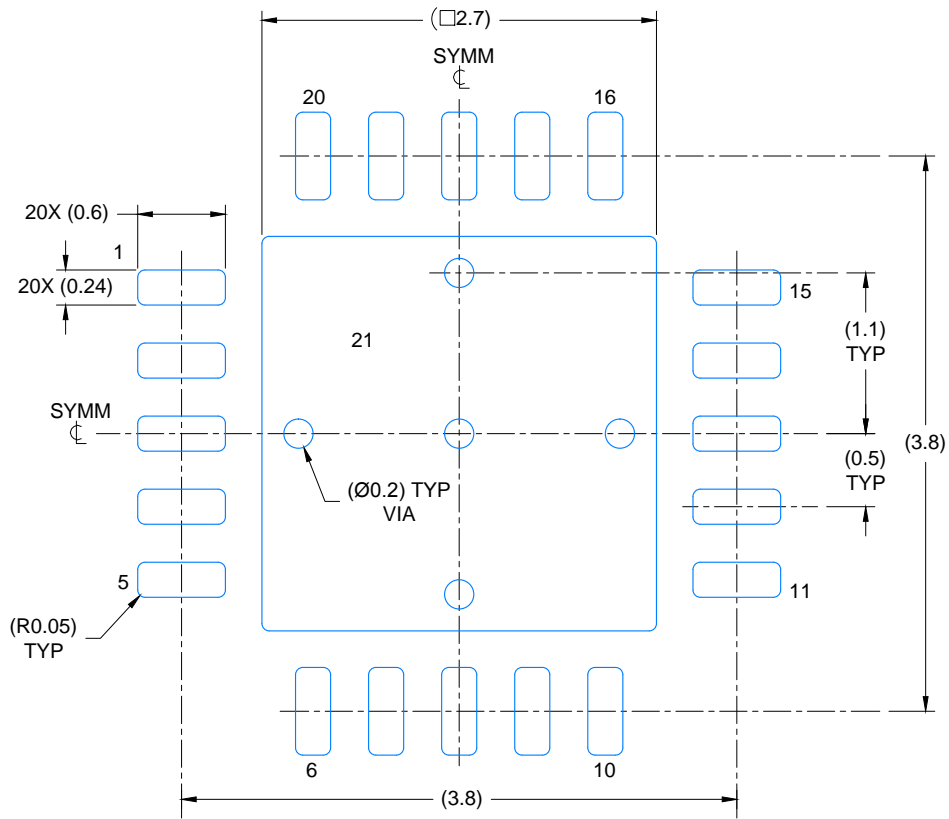
WQFN - 0.8 mm max height

PLASTIC QUAD FLATPACK - NO LEAD

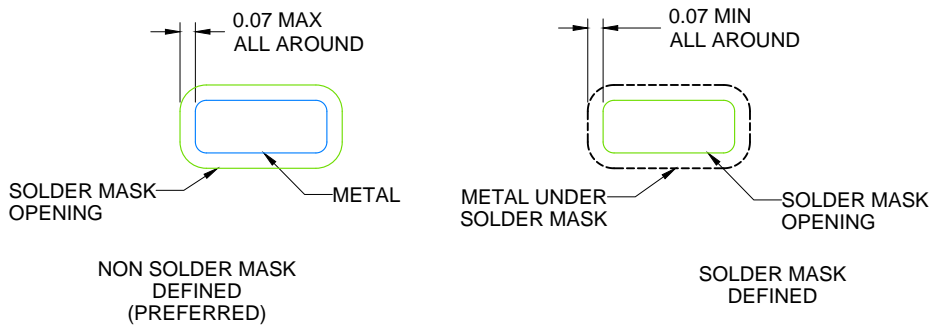


NOTES:

1. All linear dimensions are in millimeters. Any dimensions in parenthesis are for reference only. Dimensioning and tolerancing per ASME Y14.5M.
2. This drawing is subject to change without notice.
3. The package thermal pad must be soldered to the printed circuit board for thermal and mechanical performance.



LAND PATTERN EXAMPLE
SCALE: 20X

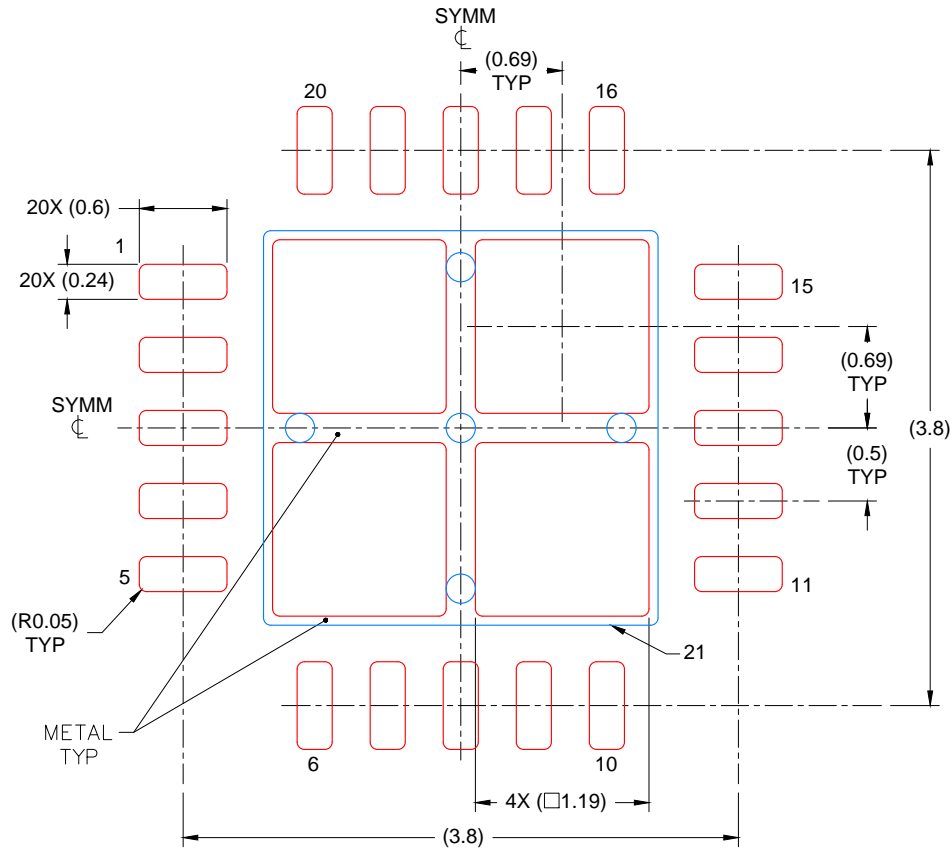


SOLDER MASK DETAILS

4219125 / A 10/2016

NOTES: (continued)

4. This package is designed to be soldered to a thermal pad on the board. For more information, see Texas Instruments literature number SLUA271 (www.ti.com/lit/slua271).
5. Vias are optional depending on application, refer to device data sheet. If any vias are implemented, refer to their locations shown on this view. It is recommended that vias under paste be filled, plugged or tented.



SOLDER PASTE EXAMPLE
 BASED ON 0.125 mm THICK STENCIL

EXPOSED PAD
 78% PRINTED COVERAGE BY AREA
 SCALE: 20X

4219125 / A 10/2016

NOTES: (continued)

- 6. Laser cutting apertures with trapezoidal walls and rounded corners may offer better paste release. IPC-7525 may have alternate design recommendations..

REVISIONS

REV	DESCRIPTION	ECR	DATE	ENGINEER / DRAFTSMAN
A	RELEASE NEW DRAWING	2160736	10/24/2016	T. TANG / H. DENG

SCALE	SIZE
NTS	A

4219125

REV	PAGE
A	5 OF 5

重要声明和免责声明

TI“按原样”提供技术和可靠性数据（包括数据表）、设计资源（包括参考设计）、应用或其他设计建议、网络工具、安全信息和其他资源，不保证没有瑕疵且不做任何明示或暗示的担保，包括但不限于对适销性、某特定用途方面的适用性或不侵犯任何第三方知识产权的暗示担保。

这些资源可供使用 TI 产品进行设计的熟练开发人员使用。您将自行承担以下全部责任：(1) 针对您的应用选择合适的 TI 产品，(2) 设计、验证并测试您的应用，(3) 确保您的应用满足相应标准以及任何其他功能安全、信息安全、监管或其他要求。

这些资源如有变更，恕不另行通知。TI 授权您仅可将这些资源用于研发本资源所述的 TI 产品的应用。严禁对这些资源进行其他复制或展示。您无权使用任何其他 TI 知识产权或任何第三方知识产权。您应全额赔偿因在这些资源的使用中对 TI 及其代表造成的任何索赔、损害、成本、损失和债务，TI 对此概不负责。

TI 提供的产品受 [TI 的销售条款](#) 或 [ti.com](#) 上其他适用条款/TI 产品随附的其他适用条款的约束。TI 提供这些资源并不会扩展或以其他方式更改 TI 针对 TI 产品发布的适用的担保或担保免责声明。

TI 反对并拒绝您可能提出的任何其他或不同的条款。

邮寄地址：Texas Instruments, Post Office Box 655303, Dallas, Texas 75265

Copyright © 2023，德州仪器 (TI) 公司