

针对音频应用的 2 X 2 交叉点开关

查询样品: [TS3A26746E](#)

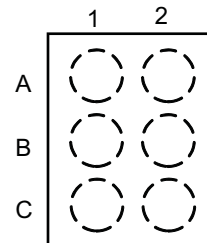
特性

- 针对接地 (GND) 开关的超低 $R_{\text{导通}}$ (典型值 $80\text{m}\Omega$)
- 针对麦克风 (MIC) 开关的 $R_{\text{导通}}$ 小于 10Ω
- 3.0V 至 3.6V V+ 运行
- 控制输入符合 1.8 V 逻辑要求
- 6 焊锡凸点, 0.5mm 焊球间距芯片级 (CSP) 封 ($1.45\text{mm} \times 0.95\text{mm} \times 0.5\text{mm}$)
- 锁断性能超过 100mA (符合 JESD 78, II 类规范的要求)
- 静电放电 (ESD) 性能测试符合 JESD 22 标准
 - 2000V 人体模型 (A114-B, II 类)
 - 500V 充电器件模型 (C101)
- ESD 性能 (SLEEVE, RING2)
 - $\pm 8\text{kV}$ 接触放电 (IEC 61000-4-2)

应用范围

- 手机
- 掌上电脑 (PDA)
- 便携式仪表
- 数码相机
- 便携式导航器件

引脚分配



说明

TS3A26746E 是一款 2×2 交叉点开关, 此开关被用来在耳机连接器上交替接地及 MIC 连接。接地开关具有不足 0.1Ω 的超低 $R_{\text{导通}}$ 以大大降低其上的电压压降, 从而可防止耳机接地基准电压意外升高。该开关状态可通过 SEL 输入进行控制。当 SEL 为高电平时, GND 被连接至 RING2, 而 MIC 被连接至 SLEEVE。当 SEL 为低时, GND 被连接至 SLEEVE, 而 MIC 则被连接至 RING2。SEL 输入上的内部 100k 上拉电阻器可设定开关的缺省状态。



Please be aware that an important notice concerning availability, standard warranty, and use in critical applications of Texas Instruments semiconductor products and disclaimers thereto appears at the end of this data sheet.



These devices have limited built-in ESD protection. The leads should be shorted together or the device placed in conductive foam during storage or handling to prevent electrostatic damage to the MOS gates.

TYPICAL APPLICATION BLOCK DIAGRAM

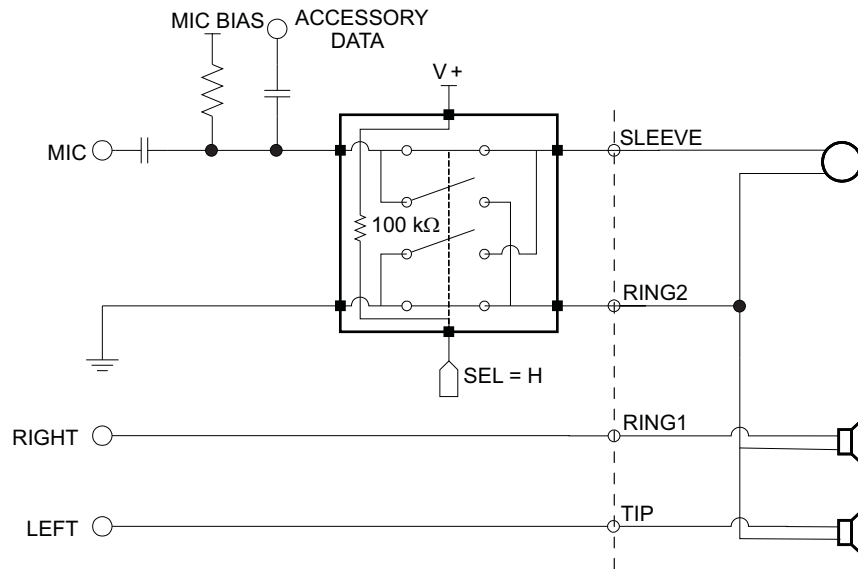


Figure 1. Standard Headphone Configuration (SEL=H)

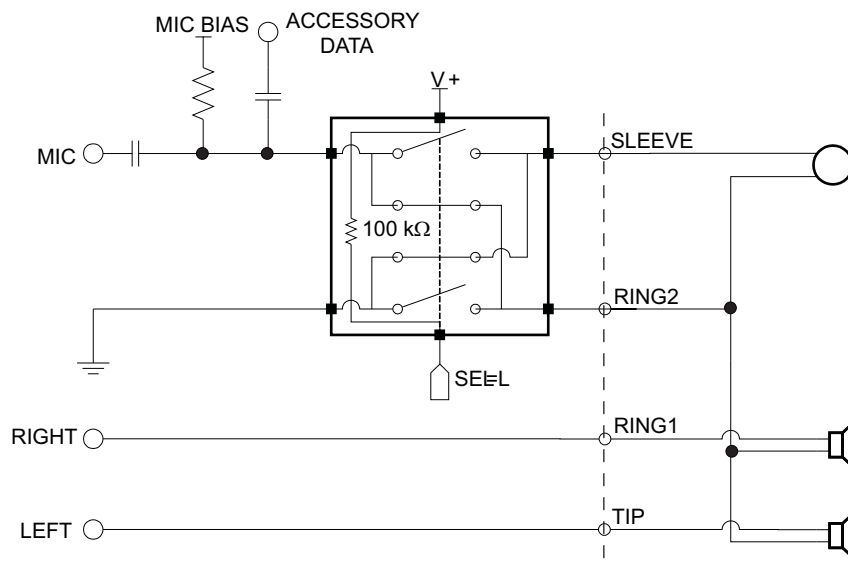
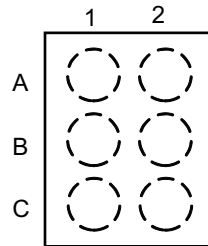


Figure 2. Alternate Headphone Configuration (SEL=L)

PINOUT

TERMINAL ASSIGNMENTS

	1	2
A	SEL	V+
B	MIC	SLEEVE
C	GND	RING2

PIN FUNCTIONS

BALL #	PIN		DESCRIPTION
	NAME	TYPE	
A1	SEL	Input	Control Input
A2	V+	Power	Supply Voltage
B1	MIC	I/O	MIC
B2	SLEEVE	I/O	Sleeve Connection on Headphone Jack
C1	GND	Ground	Ground
C2	RING2	I/O	2 nd Ring Connection on Headphone Jack

Table 1. FUNCTION TABLE

SEL	MIC to SLEEVE, GND to RING2	MIC to RING2, GND to SLEEVE
L	OFF	ON
H	ON	OFF

TS3A26746E

ZHCS135C – FEBRUARY 2011 – REVISED MAY 2013

www.ti.com.cn
ABSOLUTE MAXIMUM RATINGS⁽¹⁾⁽²⁾

over operating free-air temperature range (unless otherwise noted)

			MIN	MAX	UNIT
V ₊	Supply voltage range ⁽³⁾		-0.3	4.0	V
V _{MIC} V _{SLEEVE} V _{RING2}	Analog voltage range ⁽³⁾		-0.3	4.0	V
I _K	Analog port diode current	V _{MIC} , V _{SLEEVE} , V _{RING2} < 0 V	-50		mA
V _I	Digital input voltage range		-0.3	4.0	V
I _{IK}	Digital input clamp current ⁽³⁾	V _I < 0 V	-50		mA
I ₊	Continuous current through V ₊			100	mA
I _{GND}	Continuous current through GND		-100		mA
θ _{JA}	Package thermal impedance ⁽⁴⁾	YZP package		102	°C/W
T _{stg}	Storage temperature range		-65	150	°C

- (1) Stresses above these ratings may cause permanent damage. Exposure to absolute maximum conditions for extended periods may degrade device reliability. These are stress ratings only, and functional operation of the device at these or any other conditions beyond those specified is not implied.
- (2) The algebraic convention, whereby the most negative value is a minimum and the most positive value is a maximum.
- (3) All voltages are with respect to ground, unless otherwise specified.
- (4) The package thermal impedance is calculated in accordance with JESD 51-7.

ELECTRICAL CHARACTERISTICS FOR 3.3 V SUPPLY⁽¹⁾

 V₊ = 3 V to 3.6 V, T_A = -40°C to 85°C (unless otherwise noted)

PARAMETER	TEST CONDITIONS	T _A	V ₊	MIN	TYP	MAX	UNIT
MIC SWITCH							
V _{MIC} , V _{SLEEVE} , V _{RING2}	Analog signal range			0		V+	V
r _{on}	ON-state resistance	0 ≤ V _{SLEEVE} or V _{RING2} ≤ V ₊ , I _{MIC} = -32 mA	Switch ON	25°C	3 V	5 8	Ω
				Full		10	
r _{on(flat)}	ON-state resistance flatness	0 ≤ V _{SLEEVE} or V _{RING2} ≤ V ₊ , I _{MIC} = -32 mA	Switch ON	25°C	3 V	1 2.3	Ω
				Full		2.5	
I _{SLEEVE(OFF)} , I _{RING2(OFF)}	SLEEVE, RING2 OFF leakage current	V _{SLEEVE} or V _{RING2} = 1 V, V _{MIC} = 3 V, or V _{SLEEVE} or V _{RING2} = 3 V, V _{MIC} = 1 V	Switch OFF	25°C	3.6 V	-0.5 0.05 0.5	μA
				Full		-2 2	
I _{MIC(OFF)}	MIC OFF leakage current	V _{SLEEVE} or V _{RING2} = 3 V, V _{MIC} = 1 V, or V _{SLEEVE} or V _{RING2} = 1 V, V _{MIC} = 3 V	Switch OFF	25°C	3.6 V	-1 0.1 1	μA
				Full		-2 2	
I _{SLEEVE(ON)} , I _{RING2(ON)}	SLEEVE, RING2 ON leakage current	V _{SLEEVE} or V _{RING2} = 1 V, V _{MIC} = Open, or V _{SLEEVE} or V _{RING2} = 3 V, V _{MIC} = Open	Switch ON	25°C	3.6 V	-2 0.5 2	μA
				Full		-2 2	
I _{MIC(ON)}	MIC ON leakage current	V _{SLEEVE} or V _{RING2} = Open V, V _{MIC} = 1 V, or V _{SLEEVE} or V _{RING2} = Open, V _{MIC} = 3 V	Switch ON	25°C	3.6 V	-2 0.5 2	μA
				Full		-2 2	
GND SWITCH							
r _{on}	ON-state resistance	I _{SLEEVE} or I _{RING2} = +32 mA, V _{GND} = 0 V, I _{GND} = -32 mA	Switch ON	25°C	3 V	0.08 0.09	Ω
				Full		0.11	
I _{SLEEVE(OFF)} , I _{RING2(OFF)}	SLEEVE, RING2 OFF leakage current	V _{SLEEVE} or V _{RING2} = 3V and V _{GND} = 0 V	Switch OFF	25°C	3.6 V	-0.5 0.05 0.5	μA
				Full		-1 1	
I _{SLEEVE(PWROFF)} , I _{RING2(PWROFF)}	SLEEVE, RING2 OFF leakage current	V _{SLEEVE} or V _{RING2} = 0 to 3.6 V and V _{GND} = 0 V	Switch OFF	25°C	0 V	-1 0.5 1	μA
				Full		-10 10	

- (1) The algebraic convention, whereby the most negative value is a minimum and the most positive value is a maximum

ELECTRICAL CHARACTERISTICS FOR 3.3 V SUPPLY⁽¹⁾ (continued)
 $V_+ = 3\text{ V to }3.6\text{ V}$, $T_A = -40^\circ\text{C to }85^\circ\text{C}$ (unless otherwise noted)

PARAMETER		TEST CONDITIONS	T_A	V_+	MIN	TYP	MAX	UNIT
DIGITAL CONTROL INPUTS (SEL)								
V_{IH}	Input logic high		Full	3.6 V	1.2		3.6	V
V_{IL}	Input logic low		Full	3.6 V	0		0.4	V
I_{IH}	Input logic high leakage current	$V_I = V_+$	25°C	3.6 V	-1	0.05	1	μA
			Full		-2		2	
I_{IL}	Input logic low leakage current	$V_I = 0\text{ V}$	25°C	3.6 V	-38	-36	-34	μA
			Full		-45		-30	
DYNAMIC								
t_{ON}	Turn-on time	$V_{MIC} = V_+$, $R_L = 50\ \Omega$	$C_L = 35\ \text{pF}$	25°C	3.3 V		150 200	ns
				Full	3 V to 3.6 V		250	
t_{OFF}	Turn-off time	$V_{MIC} = V_+$, $R_L = 50\ \Omega$	$C_L = 35\ \text{pF}$	25°C	3.3 V		5 10	ns
				Full	3 V to 3.6 V		15	
t_{BBM}	Break-before-make time	$V_{MIC} = V_+$	25°C	3.3 V		70	330	ns
			Full	3 V to 3.6 V			330	
C_{MIC}	MIC capacitance	SEL=High	25°C	3.3 V		100	140	pF
		SEL=Low	25°C	3.3 V		100	140	
C_{SLEEVE}	SLEEVE / RING2 capacitance	SEL=High	25°C	3.3 V		100	140	pF
		SEL=Low	25°C	3.3 V		100	140	
C_I	Digital input capacitance	$V_I = V_+$ or 0 V	25°C	3.3 V		4.0		pF
THD	Total harmonic distortion	$R_L = 1\text{ k}\ \Omega$, $V = 30\text{ mVPP}$	f = 20 Hz to 20 kHz 25°C	3.3 V		0.01%		
SUPPLY								
V_+	Power Supply Voltage				3.0	3.3	3.6	V
I_+	Positive supply current	$V_I = V_+$	25°C	3.6 V		0.01	1	μA
			Full				5	
		$V_I = 0\text{ V}$	25°C			40	41	μA
			Full				50	

OPERATIONAL CHARACTERISTICS

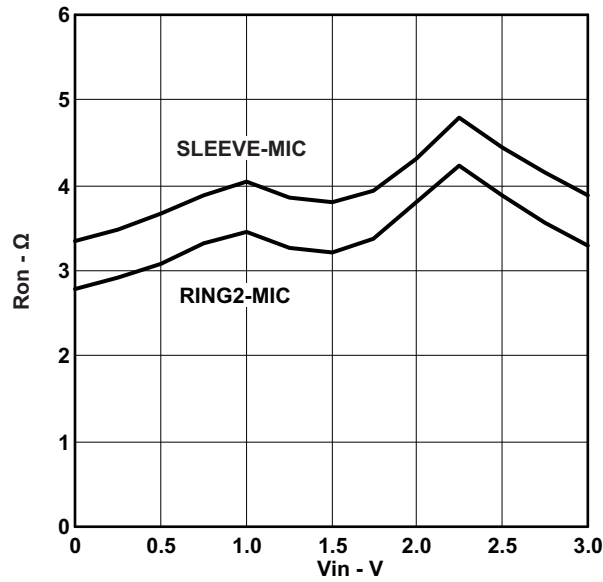
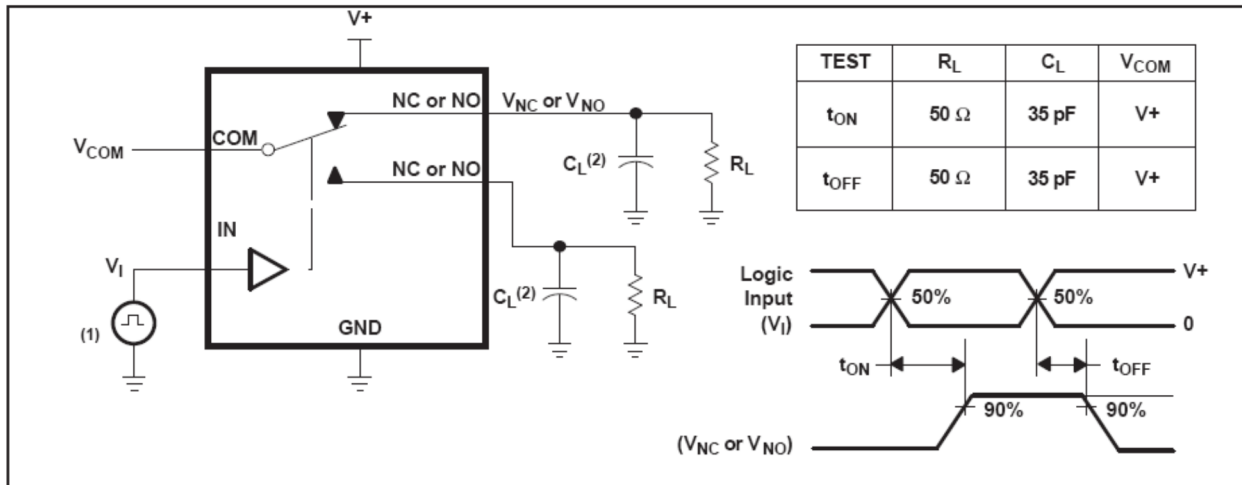


Figure 3. RON vs VIN (MIC Switch)

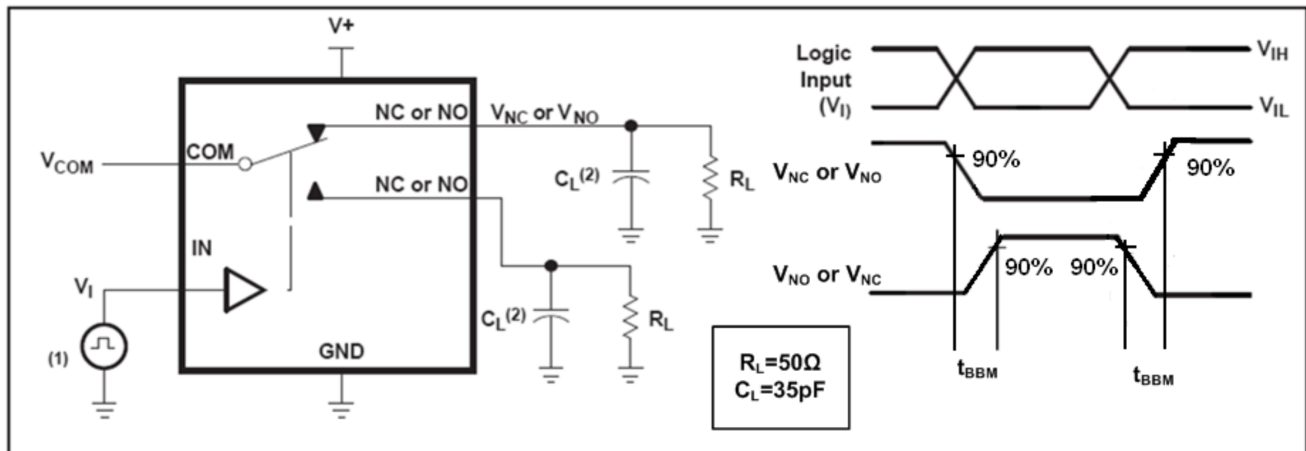
PARAMETER MEASUREMENT INFORMATION



- A. All input pulses are supplied by generators having the following characteristics: PRR ≤ 10 MHz, ZO = 50 Ω, tr < 5 ns, tf < 5 ns.
- B. CL includes probe and jig capacitance.

Figure 4. Turn-On (tON) and Turn-Off Time (tOFF)

PARAMETER MEASUREMENT INFORMATION (continued)



- A. C_L includes probe and jig capacitance.
- B. All input pulses are supplied by generators having the following characteristics: $PRR \leq 10$ MHz, $Z_O = 50 \Omega$, $t_r < 5$ ns, $t_f < 5$ ns.

Figure 5. Break-Before-Make Time (t_{BBM})

REVISION HISTORY

Changes from Revision B (November 2011) to Revision C	Page
• 用整个文档替换 1 页预览。	1

PACKAGING INFORMATION

Orderable Device	Status (1)	Package Type	Package Drawing	Pins	Package Qty	Eco Plan (2)	Lead finish/ Ball material (6)	MSL Peak Temp (3)	Op Temp (°C)	Device Marking (4/5)	Samples
TS3A26746EYZPR	ACTIVE	DSBGA	YZP	6	3000	RoHS & Green	SNAGCU	Level-1-260C-UNLIM	-40 to 85	7N	Samples

(1) The marketing status values are defined as follows:

ACTIVE: Product device recommended for new designs.

LIFEBUY: TI has announced that the device will be discontinued, and a lifetime-buy period is in effect.

NRND: Not recommended for new designs. Device is in production to support existing customers, but TI does not recommend using this part in a new design.

PREVIEW: Device has been announced but is not in production. Samples may or may not be available.

OBSOLETE: TI has discontinued the production of the device.

(2) **RoHS:** TI defines "RoHS" to mean semiconductor products that are compliant with the current EU RoHS requirements for all 10 RoHS substances, including the requirement that RoHS substance do not exceed 0.1% by weight in homogeneous materials. Where designed to be soldered at high temperatures, "RoHS" products are suitable for use in specified lead-free processes. TI may reference these types of products as "Pb-Free".

RoHS Exempt: TI defines "RoHS Exempt" to mean products that contain lead but are compliant with EU RoHS pursuant to a specific EU RoHS exemption.

Green: TI defines "Green" to mean the content of Chlorine (Cl) and Bromine (Br) based flame retardants meet JS709B low halogen requirements of <=1000ppm threshold. Antimony trioxide based flame retardants must also meet the <=1000ppm threshold requirement.

(3) MSL, Peak Temp. - The Moisture Sensitivity Level rating according to the JEDEC industry standard classifications, and peak solder temperature.

(4) There may be additional marking, which relates to the logo, the lot trace code information, or the environmental category on the device.

(5) Multiple Device Markings will be inside parentheses. Only one Device Marking contained in parentheses and separated by a "-" will appear on a device. If a line is indented then it is a continuation of the previous line and the two combined represent the entire Device Marking for that device.

(6) Lead finish/Ball material - Orderable Devices may have multiple material finish options. Finish options are separated by a vertical ruled line. Lead finish/Ball material values may wrap to two lines if the finish value exceeds the maximum column width.

Important Information and Disclaimer: The information provided on this page represents TI's knowledge and belief as of the date that it is provided. TI bases its knowledge and belief on information provided by third parties, and makes no representation or warranty as to the accuracy of such information. Efforts are underway to better integrate information from third parties. TI has taken and continues to take reasonable steps to provide representative and accurate information but may not have conducted destructive testing or chemical analysis on incoming materials and chemicals. TI and TI suppliers consider certain information to be proprietary, and thus CAS numbers and other limited information may not be available for release.

In no event shall TI's liability arising out of such information exceed the total purchase price of the TI part(s) at issue in this document sold by TI to Customer on an annual basis.

EXAMPLE BOARD LAYOUT

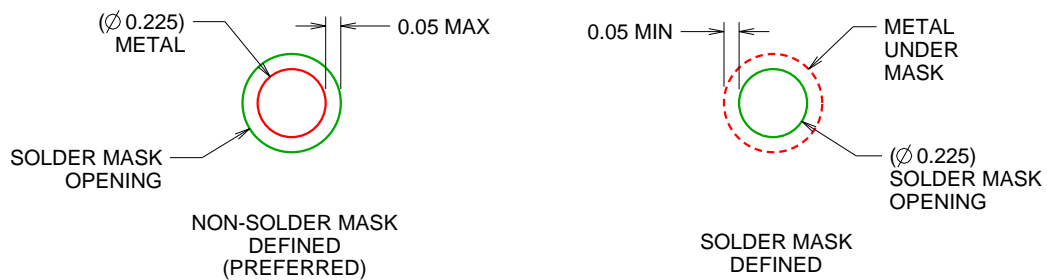
YZP0006

DSBGA - 0.5 mm max height

DIE SIZE BALL GRID ARRAY



LAND PATTERN EXAMPLE
SCALE:40X



SOLDER MASK DETAILS
NOT TO SCALE

4219524/A 06/2014

NOTES: (continued)

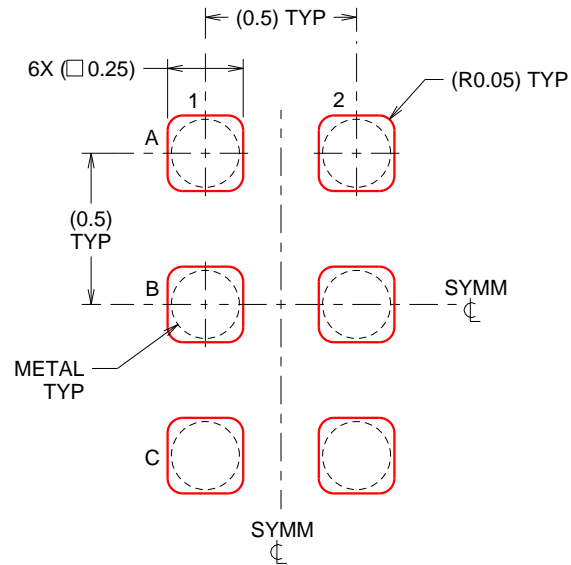
- Final dimensions may vary due to manufacturing tolerance considerations and also routing constraints. For more information, see Texas Instruments literature number SBVA017 (www.ti.com/lit/sbva017).

EXAMPLE STENCIL DESIGN

YZP0006

DSBGA - 0.5 mm max height

DIE SIZE BALL GRID ARRAY



SOLDER PASTE EXAMPLE
BASED ON 0.1 mm THICK STENCIL
SCALE:40X

4219524/A 06/2014

NOTES: (continued)

5. Laser cutting apertures with trapezoidal walls and rounded corners may offer better paste release.

重要声明和免责声明

TI“按原样”提供技术和可靠性数据（包括数据表）、设计资源（包括参考设计）、应用或其他设计建议、网络工具、安全信息和其他资源，不保证没有瑕疵且不做任何明示或暗示的担保，包括但不限于对适销性、某特定用途方面的适用性或不侵犯任何第三方知识产权的暗示担保。

这些资源可供使用 TI 产品进行设计的熟练开发人员使用。您将自行承担以下全部责任：(1) 针对您的应用选择合适的 TI 产品，(2) 设计、验证并测试您的应用，(3) 确保您的应用满足相应标准以及任何其他功能安全、信息安全、监管或其他要求。

这些资源如有变更，恕不另行通知。TI 授权您仅可将这些资源用于研发本资源所述的 TI 产品的应用。严禁对这些资源进行其他复制或展示。您无权使用任何其他 TI 知识产权或任何第三方知识产权。您应全额赔偿因在这些资源的使用中对 TI 及其代表造成的任何索赔、损害、成本、损失和债务，TI 对此概不负责。

TI 提供的产品受 [TI 的销售条款](#) 或 [ti.com](#) 上其他适用条款/TI 产品随附的其他适用条款的约束。TI 提供这些资源并不会扩展或以其他方式更改 TI 针对 TI 产品发布的适用的担保或担保免责声明。

TI 反对并拒绝您可能提出的任何其他或不同的条款。

邮寄地址：Texas Instruments, Post Office Box 655303, Dallas, Texas 75265

Copyright © 2022，德州仪器 (TI) 公司