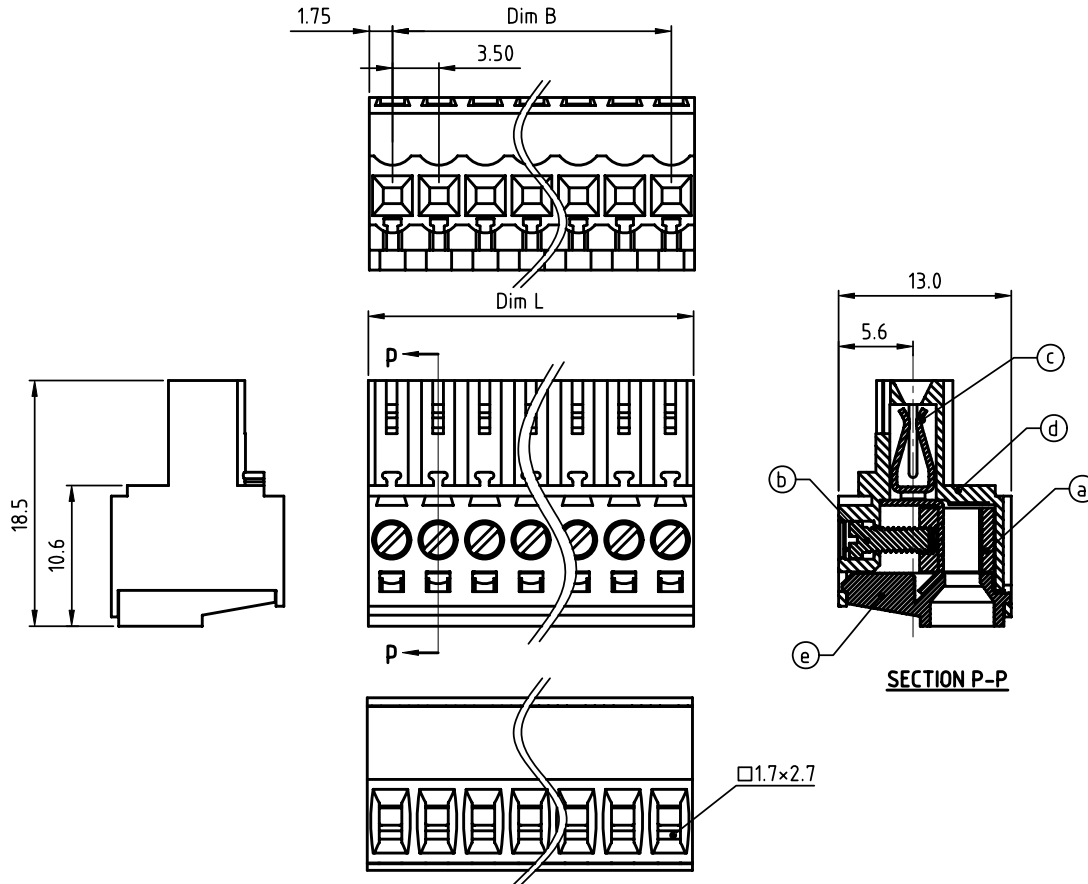


PRODUCT NUMBER	PITCH
E2xx11x000J0G	3.50 mm



Material

- Item@Clamp: Brass(CuZn),Ni plated
- ItemⓄTerminal screw: Steel Zinc plating "--" slot type
- ItemⓄFemale contact: PhBz ,Tin plated
- ItemⓄTerminal Body: Thermoplastic (UL94V-0)
- Item@Terminal Cover: Thermoplastic (UL94V-0)

Electrical cULus

- Voltage rating: 300VAC
- Current rating: 10A
- Wire range:
 - Solid wire(AWG): 14-28
 - Stranded wire(AWG): 14-28
- Torque: 1.7Lb-In
- Screw: M2
- Wire strip length: 6-7mm
- Withstanding Voltage: 1.6KV
- Operating temperature: -40°C to +115°C
- Safety Approval:

N=NUMBER OF POLES

Dim L=N×3.50
Dim B=(N-1)×3.50

POLES	Tolerance
2P-6P	±0.15
7P-12P	±0.20
13P-18P	±0.25
19P-24P	±0.30

PART NO.: E2 xx 11 x 0 00J0 G

Solid block	No. of poles	Color	RoHS compliant (lead<4%) In copper Alloy
0	2	Black (RAL9005)	
02	2	Red (RAL3001/D)	
03	3	Orange(RAL2011/P)	
...	...	4 Yellow(RAL1018/A)	
...	...	5 Green(RAL6018/T)	
24	24	6 Blue (RAL5015/A)	
		8 Grey(RAL7035/D)	
		9 White(RAL1102)	
		C Green(RAL6018/U)	

mat'l. code		surface ASME Y14.5	tolerance ASME Y14.5	projection 	product family TERMINAL BLOCK
ltr ecn no dr date		tolerances unless otherwise specified		MM	title TERMINAL BLOCK PLUGGABLE PLUG,WITHOUT FLANGE
		angles 	X.±0.5 X.X±0.3 X.XX±0.1		
dr		EVIN ZHONG	041714		dwg no E2xx11x000J0G
enr		EVIN ZHONG	041714		sheet 1 of 1 size A4
chr		HANKE FENG	041714		type CUSTOMER Drawing
appd		SHI JUN	041714		
sheet index	revision sheet	A	1		