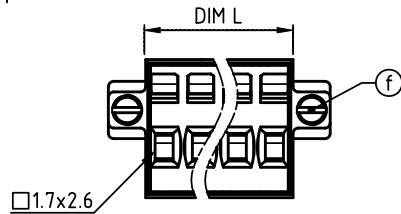
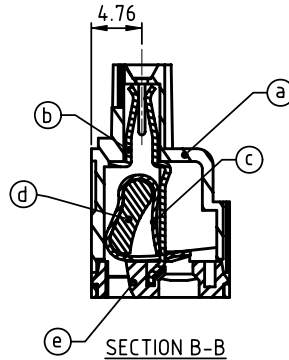
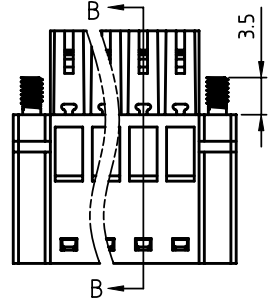
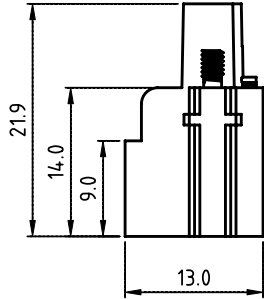
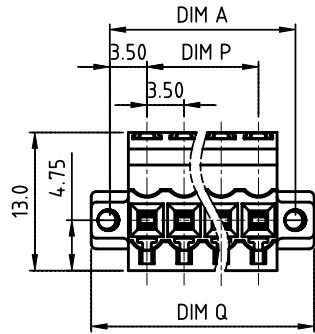


PRODUCT NUMBER	PITCH
HNxx10x200J0G	3.50 mm



Material:

- Item (a) Terminal Body: Thermoplastic (UL94V-0)
- Item (b) Female contact: Phbz, Tin plated
- Item (c) Spring clamp: Stainless Steel
- Item (d) Insulating spacer: Thermoplastic (UL94V-0)
- Item (e) Terminal Cover: Thermoplastic (UL94V-0)
- Item (f) Flange screw: Zinc plating"-slot type,M2.0

Electrical cULus

- Voltage rating: 300V
- Current rating: 10A
- Wire range:
- Solid wire(AWG): 14-26
- Stranded wire(AWG): 14-26
- Wire strip length: 10-11mm
- Withstanding Voltage: 1.6KV
- Operating temperature: -40°C to +115°C
- Safety Approval:

DIMENSION

DIM L	Nx3.5
DIM P	(N-1)x3.5
DIM Q	(N+2)x3.5
DIM A	(N-1)x3.5+7.0

N=Number of poles

Poles	DIM L	DIM P	DIM Q	DIM A
2p-6p	±0.15	±0.15	±0.20	±0.15
7p-12p	±0.20	±0.20	±0.25	±0.20
13p-18p	±0.25	±0.25	±0.30	±0.25
19p-24p	±0.30	±0.30	±0.40	±0.30

PART NO.: HN xx 1 0 x 2 00J0 G

- |              |   |                   |  |
|--------------|---|-------------------|--|
| solid block  | 0 | Black (RAL9005)   | RoHS compliant<br>(lead<4%)<br>In copper Alloy |
| No. of poles | 2 | Red (RAL3001/D)   |  |
| 02 2 poles   | 3 | Orange(RAL2011/P) |  |
| 03 3 poles   | 4 | Yellow(RAL1018/A) |  |
| ... ..       | 5 | Green(RAL6018/T)  |  |
| 24 24 poles  | 6 | Blue (RAL5015/A)  |  |
|              | 8 | Grey(RAL7035/D)   |  |
|              | 9 | White(RAL1102)    |  |
|              | C | Green(RAL6018/U)  |  |

mat'l. code		surface ASME Y14.5	tolerance ASME Y14.5	projection 	product family TERMINAL BLOCK
ltr	ecn no	dr	date	tolerances unless otherwise specified	title TERMINAL BLOCK
				angles 	
				X±0.5	← MM →
				X.X±0.3	scale
				X*±1*	X.XX±0.1
dr	EVIN ZHONG	052014			dwg no HNxx10x200J0G sheet 1 of 1 size A4
enr	EVIN ZHONG	052014			
chr	HANKE FENG	052014			
appd	SHI JUN	052014			
sheet index	revision	A			type CUSTOMER Drawing
	sheet	1			