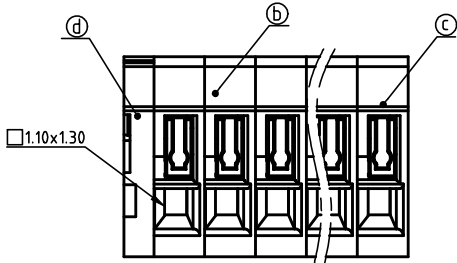


PRODUCT NUMBER	PITCH
NAxx50x100J0G	2.54mm

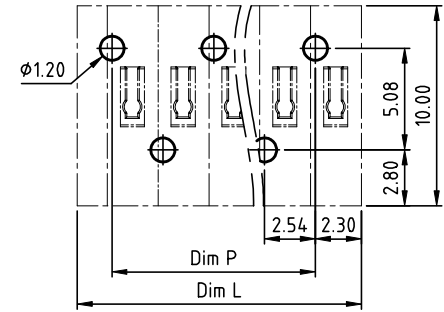


N=Number of poles  
 Dim L=Nx2.54+1.5  
 Dim P=(N-1)x2.54

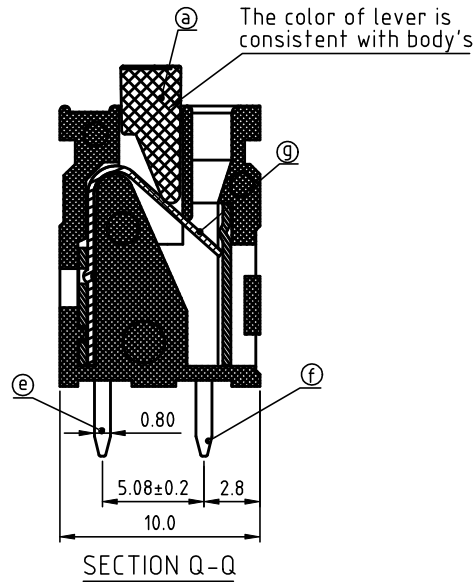
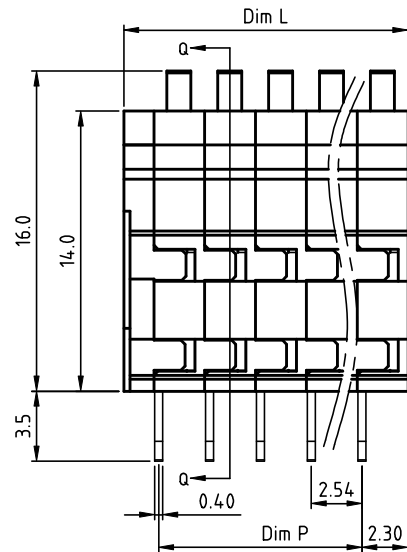
POLES	Dim L	Dim P
3p/5p	±0.20	±0.20
7P/9P/11p	±0.25	±0.25
13P/15p/17p/19p/21p/23p	±0.30	±0.30

PART NO.: NA xx 50 x 100J0 G

No. of poles	Color	RoHS compliant (lead<4%) In copper Alloy
0	Black (RAL9005)	
End Stackable 2	Red (RAL3001/D)	
03 3 poles	3 Orange(RAL2011/P)	
05 5 poles	4 Yellow(RAL1018/A)	
...	5 Green(RAL6018/T)	
23 23 poles	6 Blue (RAL5015/A)	
	8 Grey(RAL7004/P)	
	9 White(RAL1102)	
	C Multiple colors	



RECOMMENDED P.C.B LAYOUT  
TOP VIEW



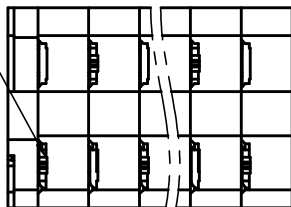
Material:

- Item① Terminal lever: Thermoplastic (UL94 V-0)
- Item② Terminal Normal housing: Thermoplastic (UL94 V-0)
- Item③ Terminal side body Thermoplastic (UL94 V-0)
- Item④ Terminal cover: Thermoplastic (UL94 V-0)
- Item⑤ Left contacts pin omit Right side: Brass Tin plated
- Item⑥ Right contacts pin omit Left side: Brass Tin plated
- Item⑦ wire guard: Stainless steel

Electrical

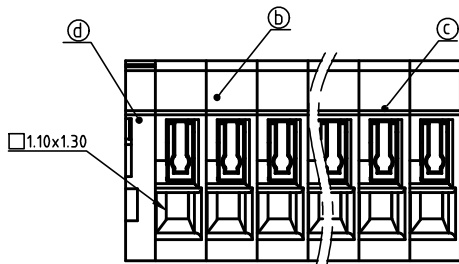
- Voltage rating: 150V
- Current rating: 3A
- Wire range:
- Solid wire(AWG): 20-28
- Stranded wire(AWG): 20-28
- Wire strip length: 9-10mm
- Withstanding Voltage: 1.3KV
- Operating temperature: -40°C to +115°C
- Soldering temperature: 260°C±5°C/5 Sec
- Safety Approval:

Left contacts pin omit  
Right side with cover



mat'l. code		surface ASME Y14.5	tolerance ASME Y14.5	projection	product family
ltr ecn no dr date		tolerances unless otherwise specified		MM	TERMINAL BLOCK
		angles	X.±0.5		title
		X'±1"	X.X±0.3	scale	SPRING CLAMP,90D WIRE INLET,B TYPE,ODD POLES
			X.XX±0.1	FCI logo	dwg no sheet 1 of 2 size
		dr EVIN ZHONG 060314			NAxx50x100J0G A4
		enr EVIN ZHONG 060314			type CUSTOMER Drawing
		chr HANKE FENG 060314			
		appd SHI JUN 060314			
sheet index	revision sheet	A 1			

PRODUCT NUMBER	PITCH
NAxx50x100J0G	2.54mm

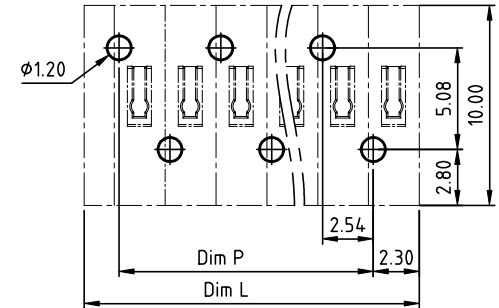


N=Number of poles  
 Dim L=Nx2.54+1.5  
 Dim P=(N-1)x2.54

POLES	Dim L	Dim P
2p/4p/6p	±0.20	±0.20
8P/10P/12p	±0.25	±0.25
14P/16p/18p /20p/22p/24p	±0.30	±0.30

PART NO.: NA xx 50 x 100J0 G

No. of poles	Color	RoHS compliant (lead<4%) In copper Alloy
0	Black (RAL9005)	
End Stackable 2	Red (RAL3001/D)	
02 2 poles	3 Orange(RAL2011/P)	
04 4 poles	4 Yellow(RAL1018/A)	
...	5 Green(RAL6018/T)	
24 24 poles	6 Blue (RAL5015/A)	
	8 Grey(RAL7004/P)	
	9 White(RAL1102)	
	C Multiple colors	

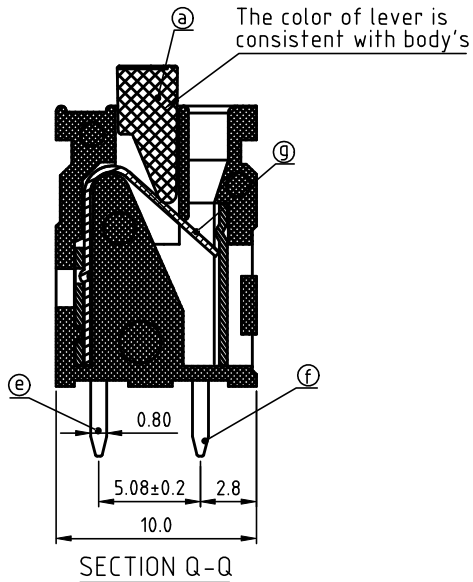


RECOMMENDED P.C.B LAYOUT  
TOP VIEW

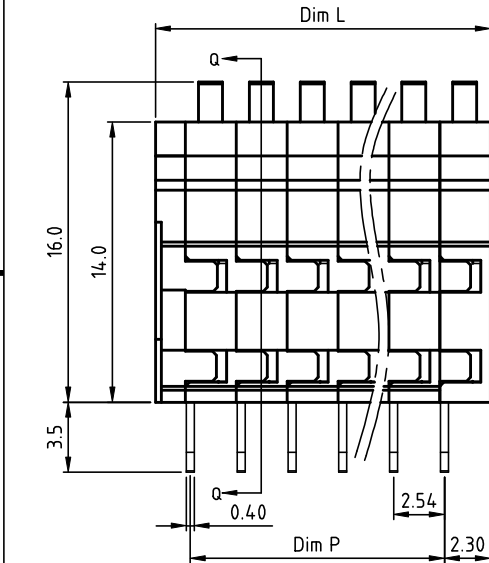
Material:

- ItemⒶ Terminal lever:Thermoplastic (UL94V-0)
- ItemⒷ Terminal Normal housing: Thermoplastic (UL94V-0)
- ItemⒸ Terminal side body Thermoplastic (UL94V-0)
- ItemⒹ Terminal cover: Thermoplastic (UL94V-0)
- ItemⒺ Left contacts pin omit Right side: Brass Tin plated
- ItemⒻ Right contacts pin omit Left side: Brass Tin plated
- ItemⒼ wire guard: Stainless steel

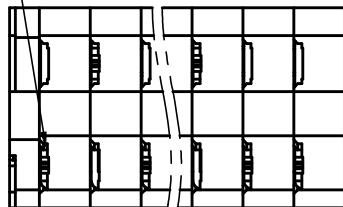
- Electrical cULus
- Voltage rating: 150V
  - Current rating: 3A
  - Wire range:
  - Solid wire(AWG): 20-28
  - Stranded wire(AWG): 20-28
  - Wire strip length: 9-10mm
  - Withstanding Voltage: 1.3KV
  - Operating temperature: -40°C to +115°C
  - Soldering temperature: 260°C±5°C/5 Sec
  - Safety Approval: cULus



SECTION Q-Q



Left contacts pin omit  
Right side with cover



mat'l. code		surface ASME Y14.5	tolerance ASME Y14.5	projection	product family
ltr ecn no dr date		tolerances unless otherwise specified		MM	TERMINAL BLOCK
		angles	X.±0.5	FCI	title
		formal	X.X±0.3		TERMINAL BLOCK
		final	X.XX±0.1		scale
dr	EVIN ZHONG	060314			SPRING CLAMP,90D WIRE INLET,B TYPE,EVEN POLES
enr	EVIN ZHONG	060314			dwg no sheet 2 of 2 size
chr	HANKE FENG	060314			NAxx50x100J0G A4
appd	SHI JUN	060314			type CUSTOMER Drawing
sheet index	revision sheet	A 2			