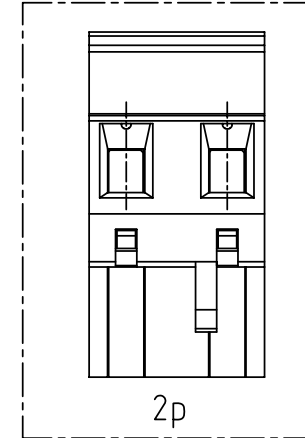
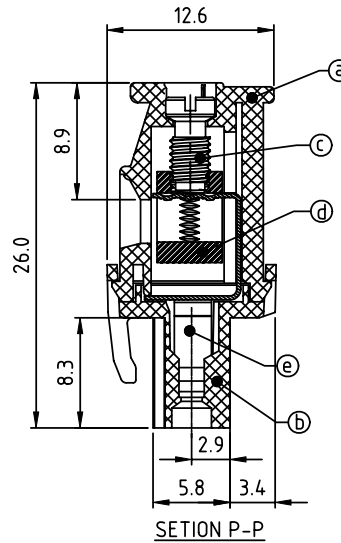
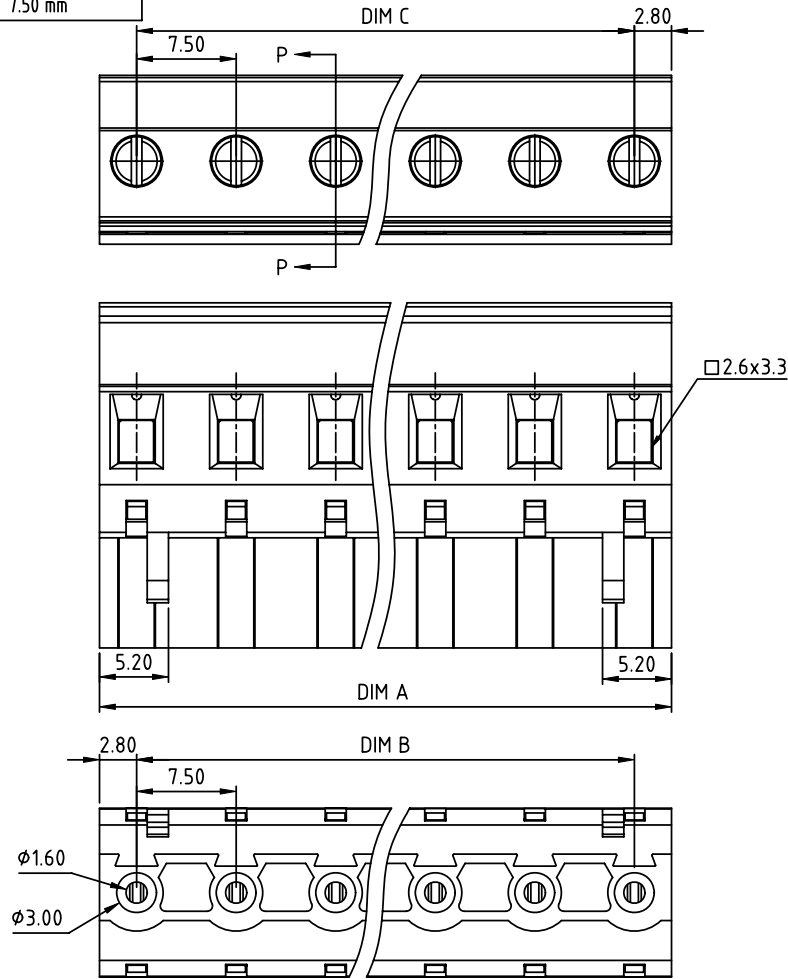


PRODUCT NUMBER	PITCH
TSxxA1xA00J0G	7.50 mm



Material

- Item a Top body: Thermoplastic (UL94V-0)
- Item d Bottom body: Thermoplastic (UL94V-0)
- Item c Terminal screw: Steel Zinc plating "-" slot type
- Item b Clamp: Brass, Ni plated
- Item e Female contact: PhBz (CuSn), Tin plated

Electrical cULus/TUV

- Voltage rating: 300VAC/750VAC
- Current rating: 15A/15A
- Wire range: 0.2-2.5mm²
- Solid wire(AWG): 12-24
- Stranded wire(AWG): 12-24
- Torque: 3.5 Lb-In 0.4Nm
- Screw: M3
- Wire strip length: 6-7mm
- Withstanding Voltage: 1.6KV/6KV
- Operating temperature: -40°C to +115°C
- Safety Approval: cULus TUV

PART NO.: TS xx A1 x A 00J0 G

Dim A=(N-1)×7.5+5.6
 Dim B=(N-1)×7.5
 Dim C=(N-1)×7.5
 N=Number of poles

POLES	Tolerance
2p-6p	±0.20
7p-11p	±0.30
12p-16p	±0.40

Solid block	No. of poles	Color	RoHS compliant (lead<4%) In copper Alloy
0	2	Black (RAL9005)	
2	3	Red (RAL3001/D)	
3	4	Orange(RAL2011/P)	
4	5	Yellow(RAL1018/A)	
5	6	Green(RAL6018/T)	
6	8	Blue (RAL5015/A)	
7	6	Grey(RAL7035/D)	
8	9	White(RAL1102)	
9	16	Green(RAL6018/U)	

mat'l. code		surface ASME Y14.5	tolerance ASME Y14.5	projection	product family
itr ecn no dr date		tolerances unless otherwise specified		MM	TERMINAL BLOCK
angles		X.±0.5		scale	title
X°±1°		X.X±0.3			TERMINAL BLOCK
dr		X.XX±0.1			PLUGGABLE PLUG,HOOK ON ENTRY SIDE,WITHOUT FLANGE
enr					dwg no
chr					sheet 1 of 1 size
appd					TSxxA1xA00J0G A4
sheet index		revision	A		type
sheet		1			CUSTOMER Drawing