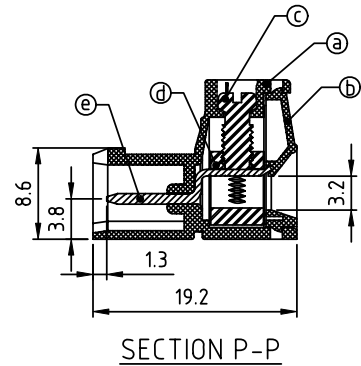
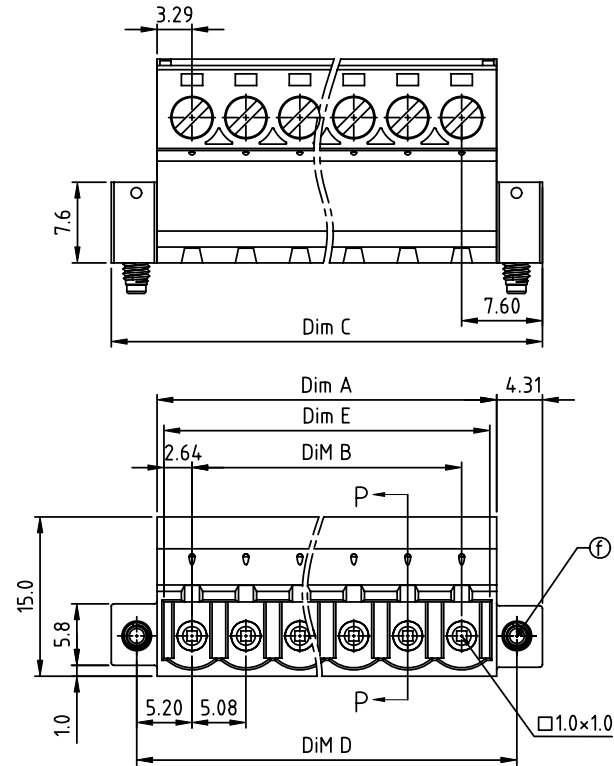


PRODUCT NUMBER	PITCH
V8xx51x200J0G	5.08 mm



Material:

- Item ① Terminal(housing):Thermoplastic (UL94V-0)
- Item ② Terminal(Cover):Thermoplastic (UL94V-0)
- Item ③ Terminal screw:Steel Zinc plating "-" slot type
- Item ④ Clamp:Brass(CuZn) Ni plating
- Item ⑤ Pin: Copper, Tin plated
- Item ⑥ Flange Screw: Steel Zinc plating "+/-" combination type M2.5

Electrical cULus

- Voltage rating: 300VAC
- Current rating: 20A
- Wire range:
- Solid wire(AWG): 12-24
- Stranded wire(AWG): 12-24
- Torque: 4Lb-In
- Screw: M3
- Wire strip length: 7-8mm
- Withstanding Voltage: 1.6KV
- Operating temperature: -40°C to +115°C
- Safety Approval:

DIMENSION

Dim A	(N-1)X5.08+6.58
Dim B	(N-1)X5.08
Dim C	(N-1)X5.08+15.20
Dim D	(N-1)X5.08+10.40
Dim E	(N-1)X5.08+5.28

N=Number of poles

Poles	Dim A	Dim B	Dim C	Dim D	Dim E
2p-6p	±0.15	±0.15	±0.15	±0.15	+0.15 0
7p-12p	±0.20	±0.20	±0.20	±0.20	+0.20 0
13p-18p	±0.30	±0.30	±0.30	±0.30	+0.30 0
19p-24p	±0.40	±0.40	±0.40	±0.40	+0.40 0

PART NO.: V8 xx 51 x 2 00J0 G

Solid block	0	Black (RAL9005)	RoHS compliant (lead<4%) In copper Alloy
No. of poles	2	Red (RAL3001/D)	
02	2 poles	3 Orange(RAL2011/P)	
03	3 poles	4 Yellow(RAL1018/A)	
...	...	5 Green(RAL6018/T)	
24	24 poles	6 Blue (RAL5015/A)	
		8 Grey(RAL7035/D)	
		9 White(RAL1102)	
		C Green(RAL6018/U)	

mat'l. code		surface ASME Y14.5 ✓	tolerance ASME Y14.5	projection 	product family TERMINAL BLOCK
ltr	ecn no	dr	date	MM ← →	title TERMINAL BLOCK PLUGGABLE PLUG,FLANGE WITH SCREW
		angles	X.±0.5	scale	dwg no V8xx51x200J0G
		±	X.X±0.3		
		X*±1*	X.XX±0.1		
		dr	EVIN ZHONG 050514		sheet 1 of 1 size A4
		enr	EVIN ZHONG 050514		
		chr	HANKE FENG 050514		
		appd	SHI JUN 050514		
sheet index	revision sheet	A	1		type CUSTOMER Drawing