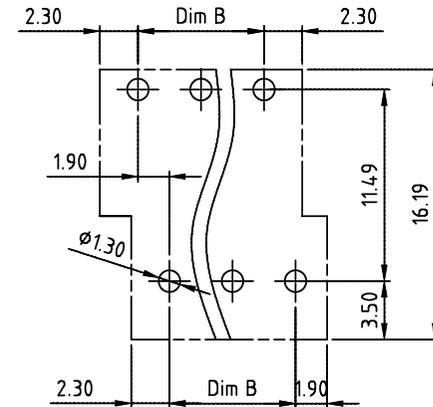
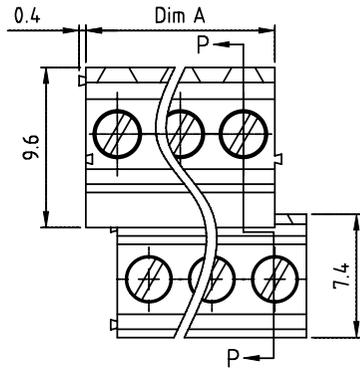
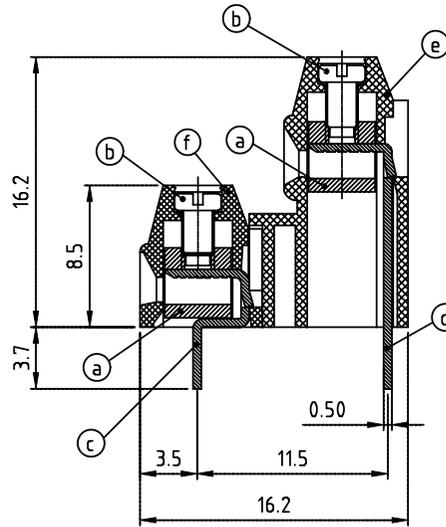
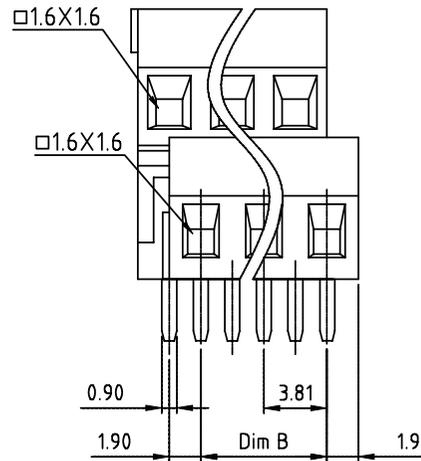


PRODUCT NUMBER	PITCH
YQxx61x000J0G	3.81mm



RECOMMENDED P.C.B LAYOUT  
TOP VIEW



SECTION P-P

Material:

- ItemⒶClamp: Brass ,Ni plated
- ItemⒷTerminal screw: Steel Zinc plating"- "slot type
- ItemⒸSolder pin1 : Brass ,Tin plated (Y0)
- ItemⒹSolder pin2 : Brass ,Tin plated (YP)
- ItemⒺTerminal housing : Thermoplastic (UL 94V-0) (YP3.81)
- ItemⒻTerminal housing : Thermoplastic (UL 94V-0) (Y03.81)

Electrical cULus

- Voltage rating: 300VAC
- Current rating: 10A
- Wire range:
- Solid wire(AWG): 16-24
- Stranded wire(AWG): 16-24
- Torque(Lb-In): 1.7
- Screw: M2
- Wire strip length: 5-6mm
- Withstanding Voltage: 1.6KV
- Operating temperature: -40°C to +115°C
- Soldering temperature: 260°C±5°C/5 Sec
- Safety Approval: cULus

Dimension Dim A & Dim B

DimA=N×3.81
DimB=(N-1)×3.81

N=Number of poles

POLES	Tolerance
2×2p-2×6p	±0.15
2×7p-2×12p	±0.20
2×13p-2×18p	±0.25
2×19p-2×24p	±0.30

PART NO.: YQ xx 6 1 x 0 00J0 G

	Color	RoHS compliant (lead<4%) In copper Alloy
Solid Block	0 Black (RAL9005)	
No. of poles	2 Red (RAL3001/D)	
04 2×2 POLES	3 Orange(RAL2011/P)	
06 2×3 POLES	4 Yellow(RAL1018/A)	
...	5 Green(RAL6018/T)	
48 2×24 POLES	6 Blue (RAL5015/A)	
	8 Grey(RAL7035/D)	
	9 White(RAL1102)	
	C Green(RAL6018/U)	

mat'l. code		surface ASME Y14.5	tolerance ASME Y14.5	projection	product family
ltr	ecn no	dr	date	tolerances unless otherwise specified	TERMINAL BLOCK
				angles	title
				MM	TERMINAL BLOCK
				scale	RISING CLAMP,180D WIRE INLET,RIGHT TYPE
				dr	dwg no
				engr	sheet 1 of 1
				chr	size
				appd	YQxx61x000J0G
					A4
					type
					CUSTOMER Drawing
sheet index	revision	A			
	sheet	1			