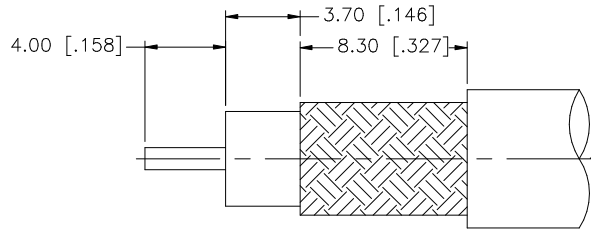
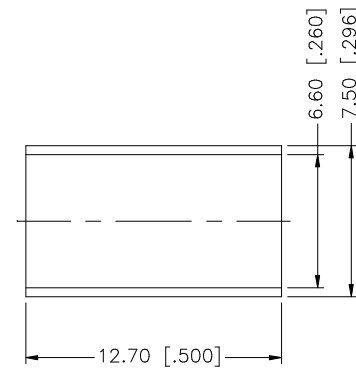
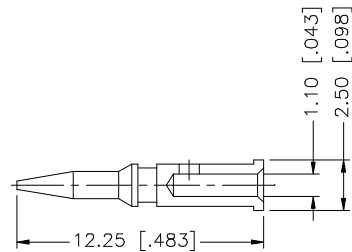
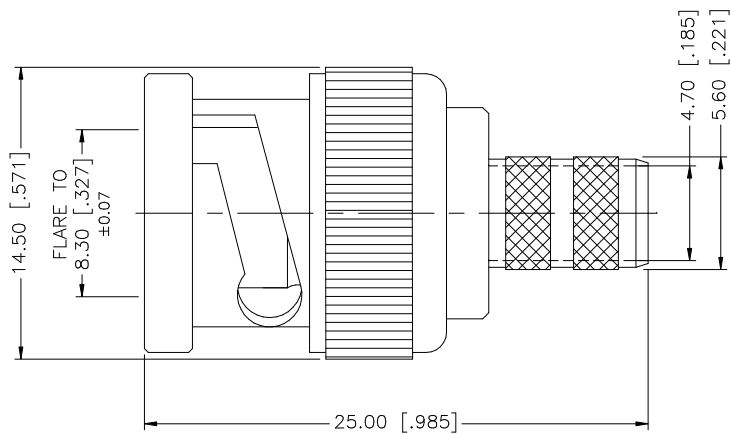


REV.	DATE	DESCRIPTION
A	11/14/97	ADD CONTACT PIN
B	07/01/04	UPDATE DRAWING FORMAT
C	02/21/06	ADD "B1695A" TO PART DESCRIPTION / .255" HEX CRIMP



RECOMMENDED CABLE STRIPPING DIMENSIONS



NOTE:

1. CRIMPED FERRULE – HEX CRIMP SIZE .255"
2. CRIMPED CONTACT PIN – HEX CRIMP SIZE .068"

QTY	DESCRIPTION	MATERIAL	FINISH	DO NOT SCALE DRAWING	APPROVALS	DATE	<h1 style="color: blue; margin: 0;">Amphenol Connex</h1>	
8				<small>UNLESS OTHERWISE SPECIFIED DIMENSIONS ARE IN MILLIMETERS. DIMENSIONS IN [ ] ARE IN INCHES AND FOR CUSTOMER REFERENCE ONLY.</small> <small>UNLESS OTHERWISE SPECIFIED TOLERANCES FOR MILLIMETERS ARE:</small> 0.5 – 8mm ± 0.20mm 8 – 30mm ± 0.40mm 30 – 120mm ± 0.50mm <small>UNLESS OTHERWISE SPECIFIED TOLERANCES FOR INCHES ARE:</small> .020 – .315 = ± 0.007" .315 – 1.180 = ± 0.015" 1.180 – 4.724 = ± 0.020"	DRAWN	G.R.S.		02/21/06
7			CHECKED					PART DESCRIPTION
6			ISSUED					BNC CRIMP PLUG (FOR RG-6/U, B1695A PLENUM CABLE)
5			SHEET		1 OF 1			PART NO.
4	FERRULE	COPPER	NICKEL		1		112519	
3	CONTACT PIN	BRASS	GOLD	1		DWG. NO.	112519.DWG	
2	INSULATOR	DELRIN	NATURAL	1		REV.	C	
1	BODY	BRASS	NICKEL	1		SIZE	A	
						SCALE	NA	