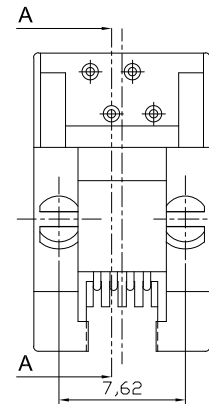


SECTION A-A



NOTES:

Mechanical:

1. Housing material : Glass Filled Polyester UL94V-0 , Color: Black
2. Contact material: Phosphor Bronze  $\phi 0,46\text{mm}$
3. Contact plating: Gold plating over 50u" Nickel
4. Operating Life: 750 Cycles min.
5. PCB Retention Pre-solder: 1 LB min.
6. PCB Retention Post-solder: 10 LBS min.

Electrical:

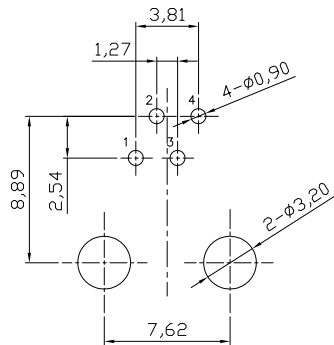
1. Voltage Rating: 125VAC.
2. Current Rating: 1.5AMP.
3. Contact Resistance: 30m $\Omega$  max.
4. Insulation Resistance: 1000M $\Omega$  min. @ 500 VDC
5. Dielectric Strength: 1000 VAC 60Hz, 1 min.

Environmental:

1. Storage: -40°C To +85°C
  2. Operation: -40°C~+85°C
  3. Wave Solder Temperature: 200~220°C(5~10S)
- Packing: 140pcs/Tray, 3920pcs/Carton

Order code: A-2004-3-X-LP-N

- Contact plating:
- 1: 15u" gold
  - 2: 30u" gold
  - 3: 50u" gold
  - 4: 6u" gold



PCB Layout  
Component Side Shown

**RoHS compliant**  
Unit:mm

Scale	Free						Date	Name	Customer-No.
TOLERANCE						Drawn	27.05.2013	Amy	
X.X	±0.20					Approved	27.05.2013	Amy	
X.XX	±0.15								
X.XXX	±0.10								
DIM	TOL								
		①	Drawn	27.05.2013	Amy			ASSMANN WSW-No.	A-2004-3-X-LP-N
Angle	±5°	Id.	Modification	Date	Name			Drawing-No.	
								Replace	SHEET



ASS 5697 CO rev00  
SHEET