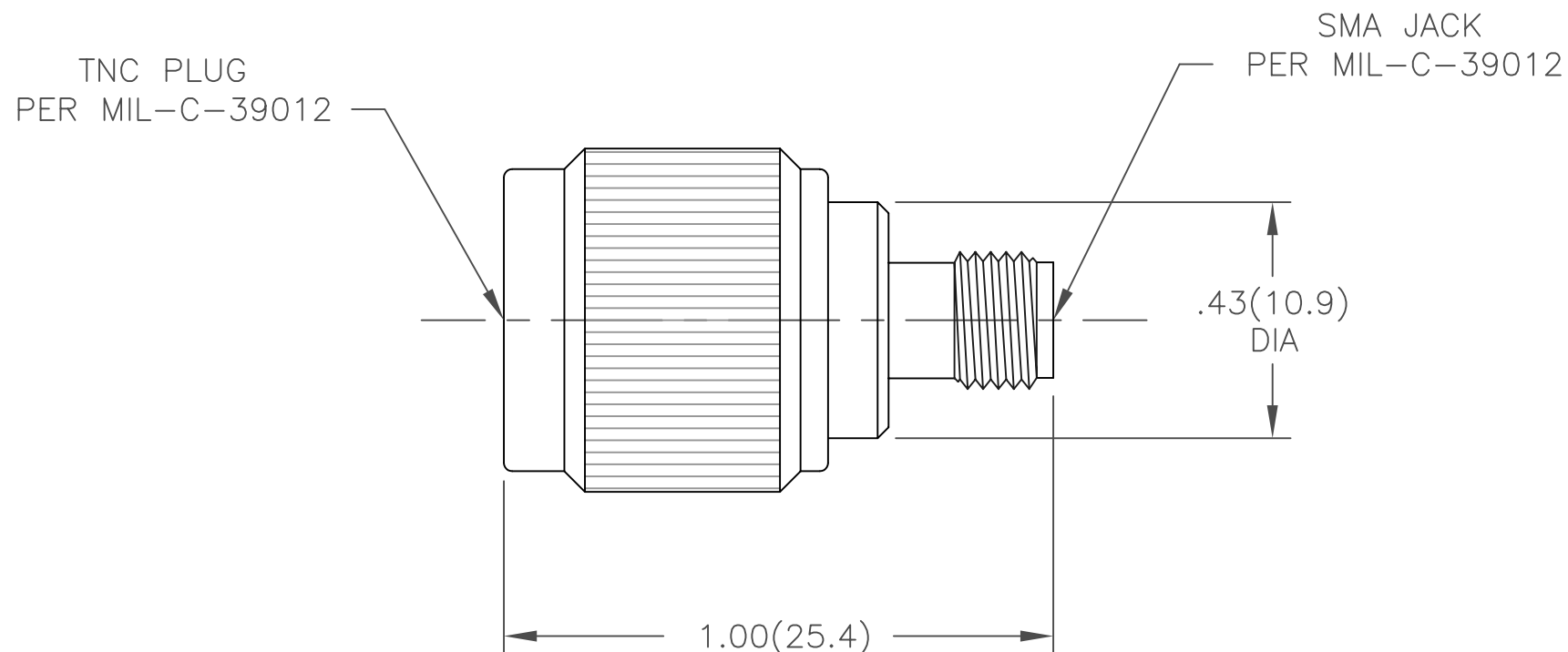


NOTES:

- 1.0 MATERIALS
 - 1.1 HOUSING AND COUPLING NUT: STAINLESS STEEL PER ASTM-A582, TYPE 303.
 - 1.2 CENTER CONTACT: BERYLLIUM COPPER ROD PER ALLOY C172, PER ASTM B196.
 - 1.3 DIELECTRIC: PTFE FLUOROCARBON PER ASTM-D1457.
- 2.0 PLATING
 - 2.1 HOUSING AND COUPLING NUT: PASSIVATED PER QQ-P-35 AND MIL-F-14072.
 - 2.2 CENTER CONTACT: GOLD PER MIL-G-45204 TYPE II , CLASS 2.
- 3.0 ELECTRICAL SPECIFICATIONS
 - 3.1 FREQUENCY RANGE: DC to 18.0 GHz.
 - 3.2 VSWR (MAX): 1.07+.015 fGHz
 - 3.3 IMPEDANCE: 50 OHMS.
- 4.0 MARKING
 - 4.1 MARKING NOT REQUIRED.
- 5.0 DIMENSIONS IN PARENTHESIS ARE MILLIMETERS.



NOTICE: The information contained in this drawing is proprietary and must not be used without the permission of Emerson Network Power. UNLESS OTHERWISE NOTED DIMENSIONS ARE IN INCHES AND TOLERANCES ARE: 3 PLACE DECIMALS ±.005 2 PLACE DECIMALS ±.02 FRACTIONS ±1/64 PARALLELITY: T.I.R. _____ FLATNESS: T.I.R. _____ CONCENTRICITY: T.I.R. _____ ANGLES AND PERPENDICULARITY: ±1°	CAGE CODE 34078	MIDWEST MICROWAVE	
			TITLE ADAPTER OUTLINE DRAWING
DRAWN/DATE M.HOLLMAN 11/24/92	ENG./DATE A.OSGA 12/2/92	DRAWING NUMBER ADT-2686-TM-SMF-02-01	REV. F1
CHECKED/DATE A.BEATTY 12/1/92	APPROVED/DATE G.HOUGHTON 3/28/02	SCALE: 3=1	SHEET 1 of 1

DWG. NO. WAS: 04178-01-00

REV.	DESCRIPTION	DATE
-	RELEASED	12/2/92
A	ECR 1526	5/19/82
B	ECR 1561	6/21/82
C	ECR 1747	10/12/82
D	ECR 6545	7/10/89
D1	UPDATE MOD #	8/5/92
E	REDRAW ON CAD, UPDATE DWG. SPECS. TO CATALOG SPECS.	11/24/92
F	ECN 18450	3/28/02
F1	ECO 23142	1/3/11