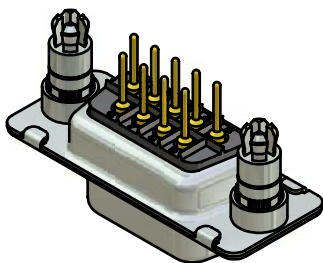
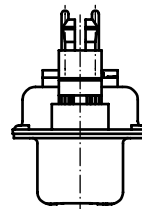
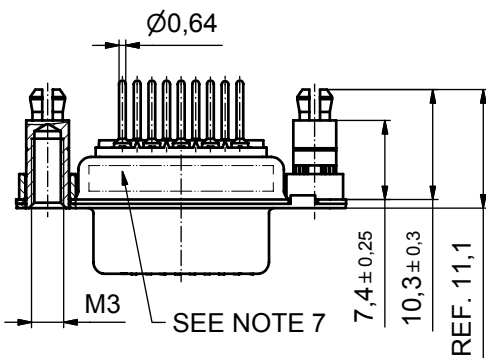
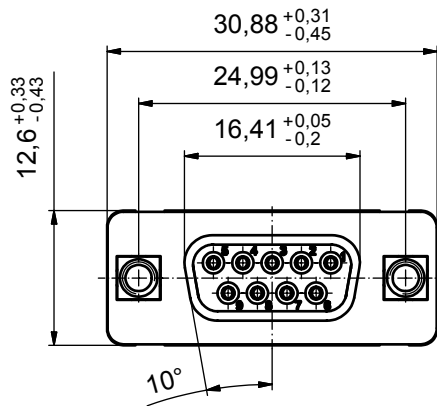
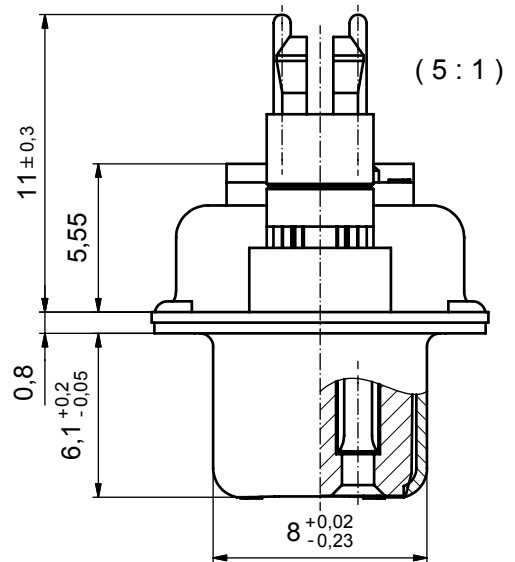


P.C.B. HOLE DRILLINGS



NOTES:

- METAL SHELLS: STEEL; min. 315µm TIN over 40-80µm NICKEL
- INSULATORS: PBT GF UL 94 V-0, BLACK
- CONTACTS: COPPER ALLOY
PLATING: 8µm HARD GOLD over min. 50µm NICKEL
- THREADED SPACER CLIP: COPPER ALLOY; min. 200µm TIN over 80µm NICKEL
PCB-HOLE: $\varnothing 3,1 \pm 0,1$; PCB THICKNESS 1,6mm
- COLLAR: COPPER ALLOY; min. 200µm TIN over 80µm NICKEL
- MAXIMUM TORQUE VALUE FOR THREAD: 6 in.LB
- CONNECTOR IS PART MARKED: 164A16619X CONEC ABC

Directive 2002/95/EC
"RoHS"
Compliant

APPROVAL # FREIGABE # DEBLOCAGE # AUTORIZACION # APPROVAL	
CUSTOMER APPROVAL DATE:	
NAME:	TITLE:
COMPANY NAME:	
APPROVAL # FREIGABE # DEBLOCAGE # AUTORIZACION # APPROVAL	

THIS DRAWING MAY NOT BE COPIED OR REPRODUCED IN ANY WAY, AND MAY NOT BE PASSED ON TO A THIRD PARTY WITHOUT WRITTEN PERMISSION. OWNERSHIP AND COPYRIGHT OF CONEC GmbH			
DO NOT ALTER CAD DRAWING BY HAND			
rev.	description	date	name

tolerance	dim. in mm
date	name
drawn	18.07.07 Lehmenkühler
appd.	18.07.07 Kühle
norm	
d-old	

scale:	2:1 (5:1)	
material:	SEE NOTES	
title:	D-SUB FEMALE 9pos. SOLDER PIN STRAIGHT with threaded spacer clip	
dwg no:	Inventor 10	DIN-A3
	16K1A2117	sh: 1
part no:	164A16619X	

