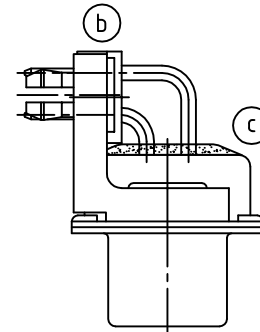
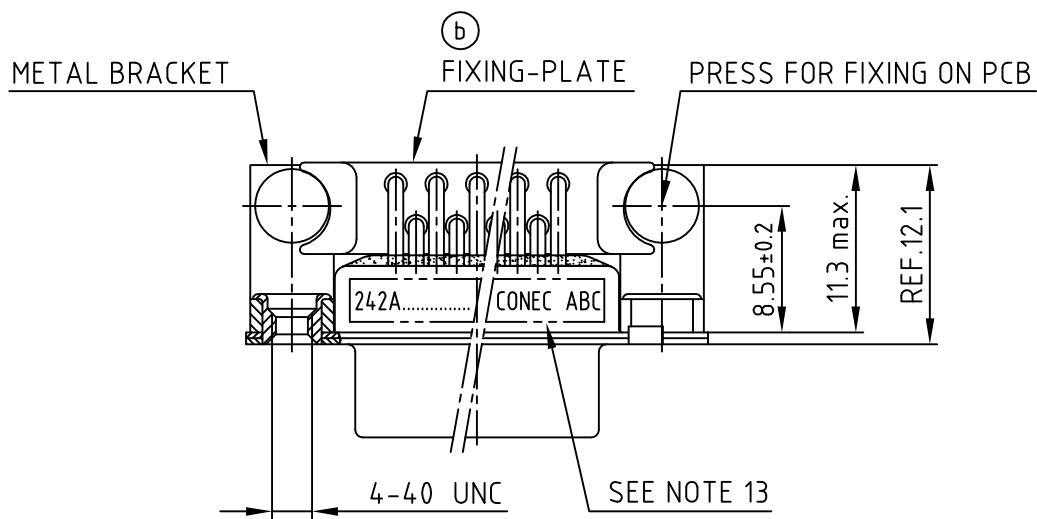
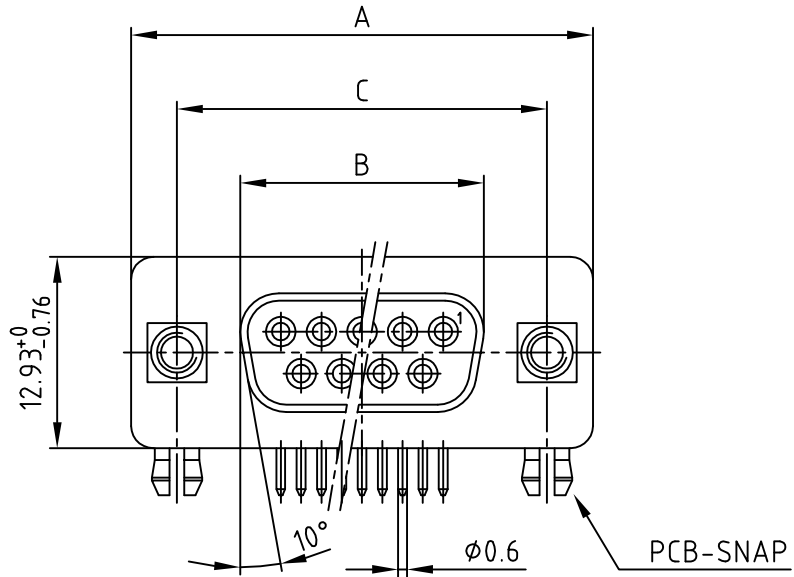
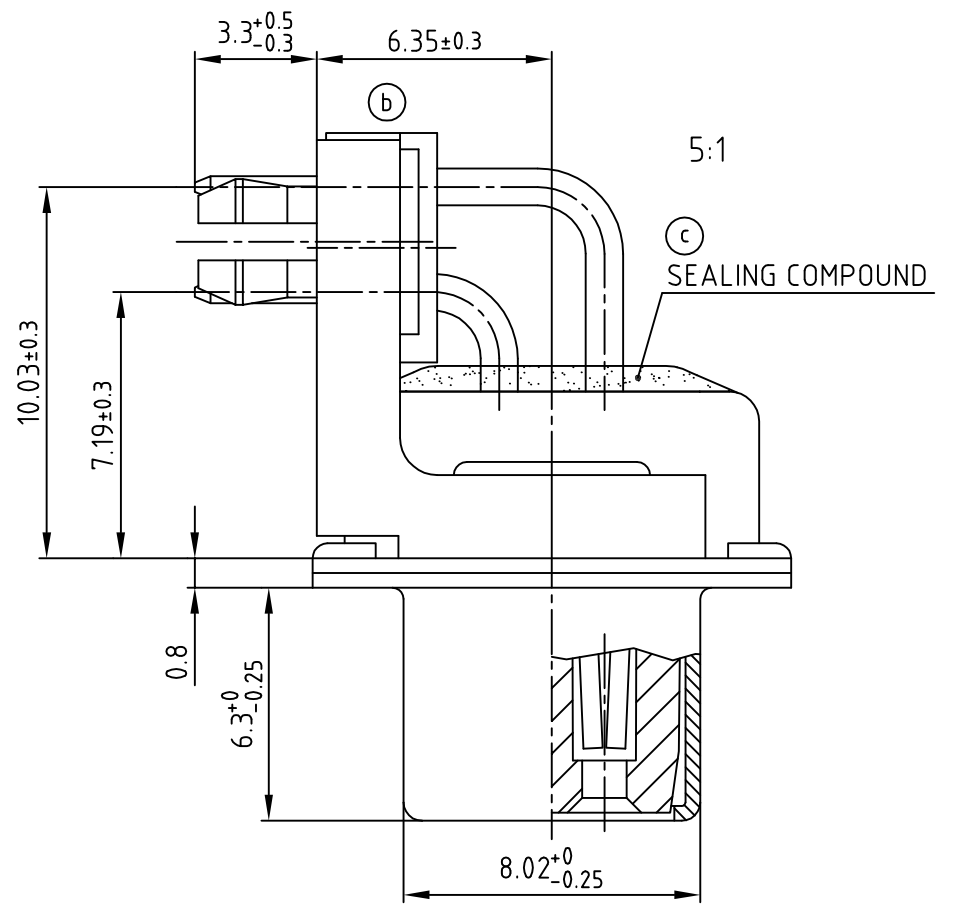


used for: D-SUB FILTER

POS.	A -0.76	B -0.25	C	PART-NO.
9	31.19	16.46	25.00 $+0.12$ -0.13	242A17660X
15	39.52	24.79	33.30 $+0.15$ -0.1	242A17670X
25	53.42	38.50	47.04 ± 0.13	242A17680X
37	69.70	54.96	63.50 ± 0.13	242A17690X



(b) NOTES:

1. RoHS COMPLIANT
2. SUITABLE FOR WAVESOLDERING
3. METAL SHELLS: STEEL; min. 315µm TIN over 40-80µm NICKEL
4. INSULATORS: HIGH TEMPERATURE PLASTIC UL 94 V-0, BLACK
5. CONTACTS: COPPER ALLOY
PLATING: 8µm HARD GOLD OVER min. 50µm NICKEL
6. METAL BRACKET: ZINC DIE CAST; 300µm COPPER/40-120µm NICKEL/120-200µm TIN
7. THREADED INSERT: COPPER ALLOY; min. 200µm TIN over 80µm NICKEL
8. FIXING-PLATE: PBT GF UL 94 V-0, BLACK
9. P.C.B. HOLE DRILLINGS ON SHEET 2
10. CAPACITANCE: 1300pF $\pm 20\%$
11. DIELECTRIC WITHSTANDING VOLTAGE: 424 VDC
12. MAXIMUM TORQUE VALUE FOR THREAD: 6 in.LB
13. CONNECTOR IS PART MARKED: PART-NO. CONEC ABC

Directive 2002/95/EC RoHS compliant

APPROVAL # FREIGABE # DEBLOCAGE # AUTOR/ZACION # APPROVAL	
CUSTOMER APPROVAL DATE:	
NAME:	TITLE:
COMPANY NAME:	
APPROVAL # FREIGABE # DEBLOCAGE # AUTOR/ZACION # APPROVAL	

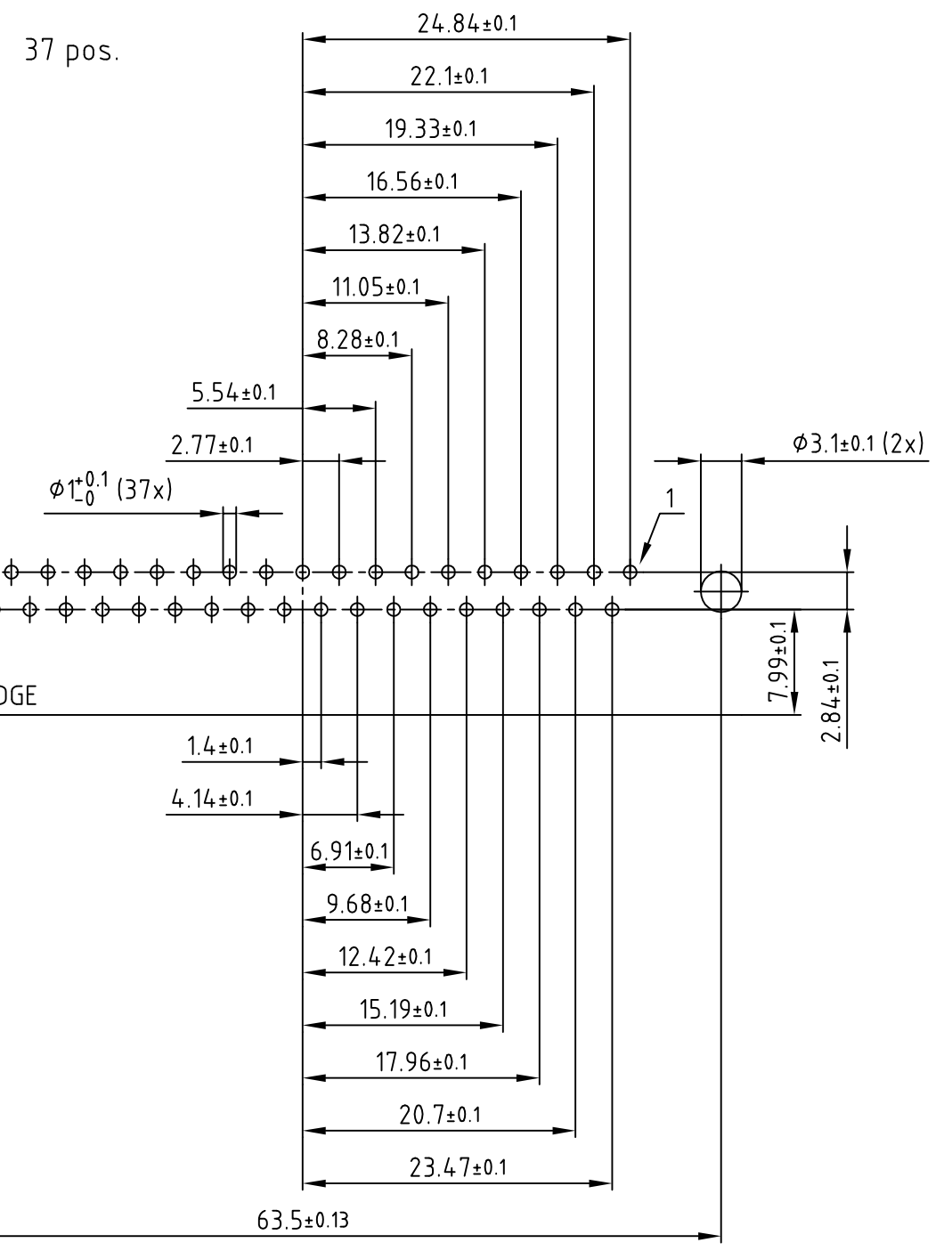
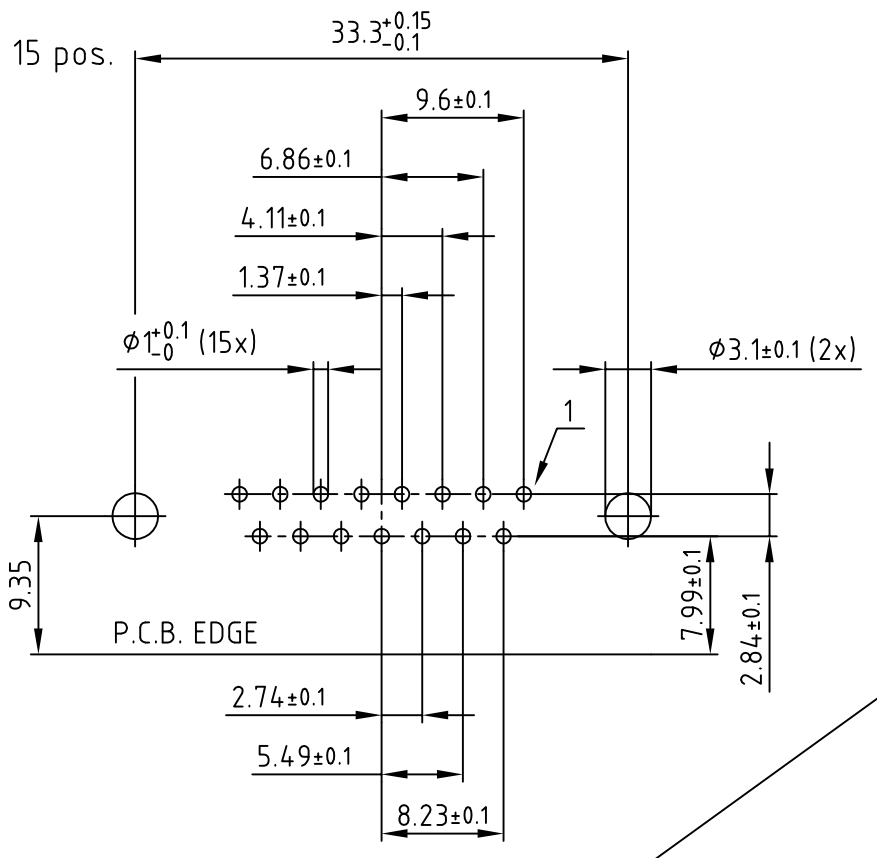
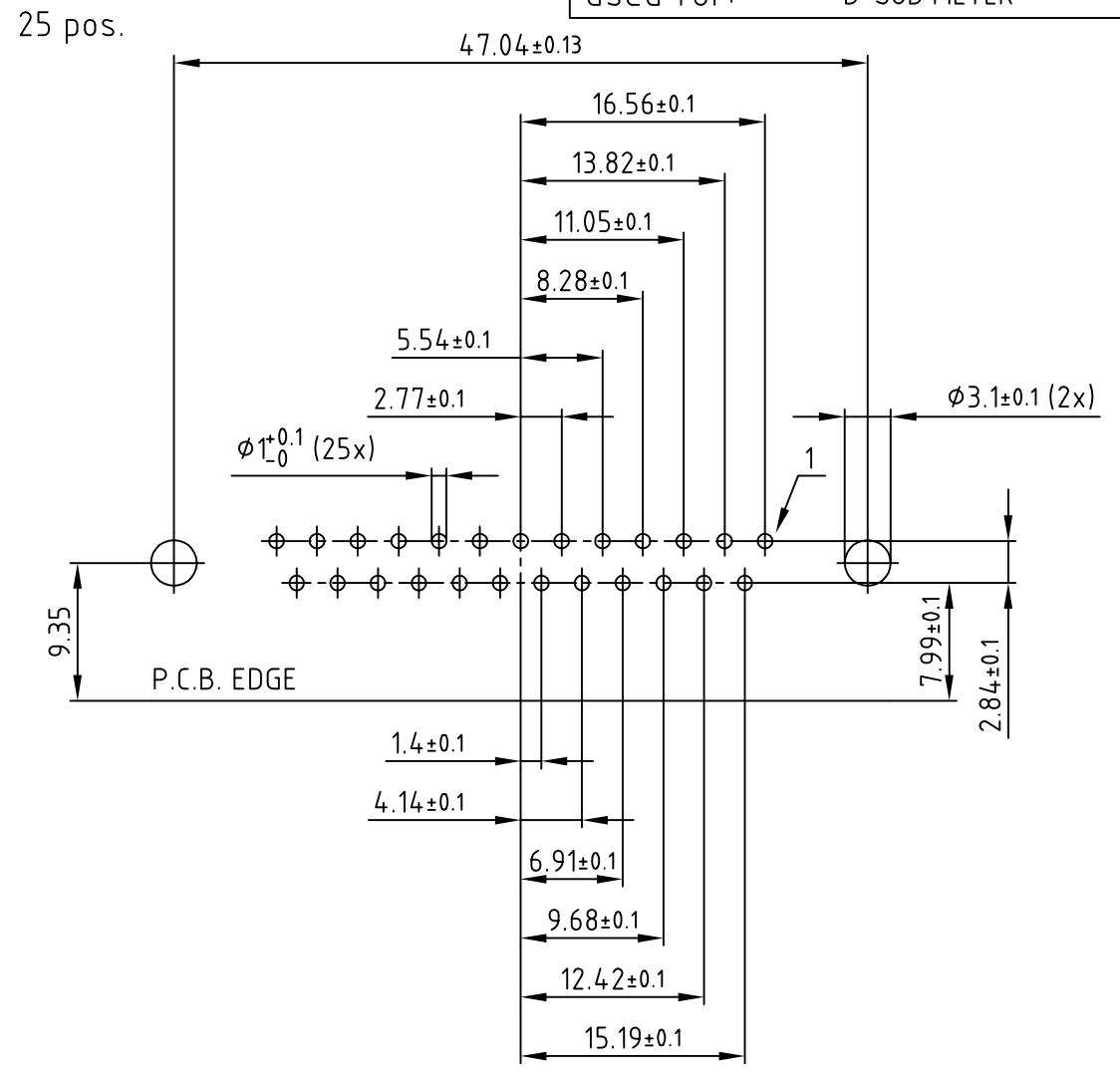
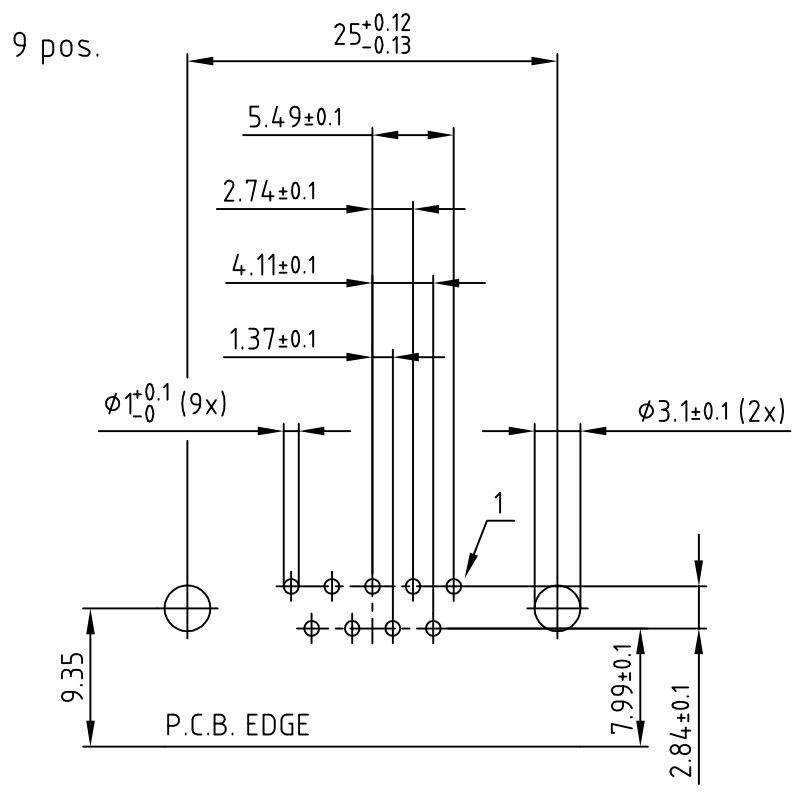
THIS DRAWING MAY NOT BE COPIED OR REPRODUCED IN ANY WAY, AND MAY NOT BE PASSED ON TO A THIRD PARTY WITHOUT WRITTEN PERMISSION.
OWNERSHIP AND COPYRIGHT OF CONEC GmbH
DO NOT ALTER CAD DRAWING BY HAND

rev.	description	date	name
2 x c	Ä 4000	12.05.2011	Lehmen, d-old
4 x b	Ä 3123	23.09.2008	Lehmen,
a	Original		

tolerance		dim. in mm	scale:	2:1 (5:1)
			material:	SEE NOTES
1997	date	name	title: D-SUB FILTER FEMALE 90° 9-37pos. 0.318inch with threaded insert, metal bracket and snap	
drawn	04.11.	Barcinski		
appd.	04.11.	Mickenbecker		
norm			DIN 41652	
dwg no:		AutoCAD 2006		DIN-A
		24K11W0A		3
part no:		SEE TABLE		



dwg no:		AutoCAD 2006	DIN-A
		24K11W0A	3
part no:		SEE TABLE	



APPROVAL # FREIGABE # DEBLOCAGE # AUTOR/ZACION # APPROVAL

CUSTOMER APPROVAL DATE:

NAME: TITLE:

COMPANY NAME:

APPROVAL # FREIGABE # DEBLOCAGE # AUTOR/ZACION # APPROVAL

THIS DRAWING MAY NOT BE COPIED OR REPRODUCED IN ANY WAY, AND MAY NOT BE PASSED ON TO A THIRD PARTY WITHOUT WRITTEN PERMISSION.

OWNERSHIP AND COPYRIGHT OF CONEC GmbH

DO NOT ALTER CAD DRAWING BY HAND

rev.	description	date	name
a	Original		

tolerance	dim. in mm	scale:	2:1
		material:	SEE SHEET 1
2008	date	name	title:
drawn	23.09.	Lehmenkühler	P.C.B. HOLE DRILLINGS
appd.	23.09.	Mickenbecker	D-SUB FILTER FEMALE 90° 9-37pos. 0.318inch with threaded insert, metal bracket and snap
norm	DIN 41652		dwg no:
d-old			AutoCAD 2006
			DIN-A
			3
part no:			SEE SHEET 1
			sh:2/2