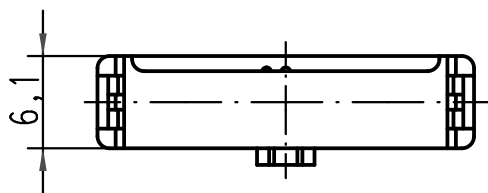
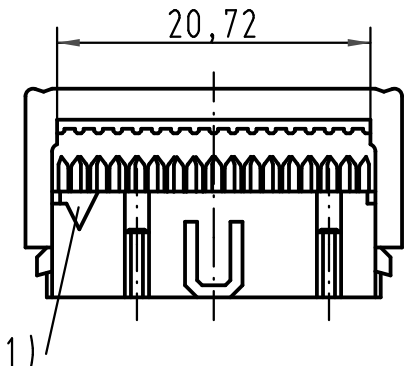
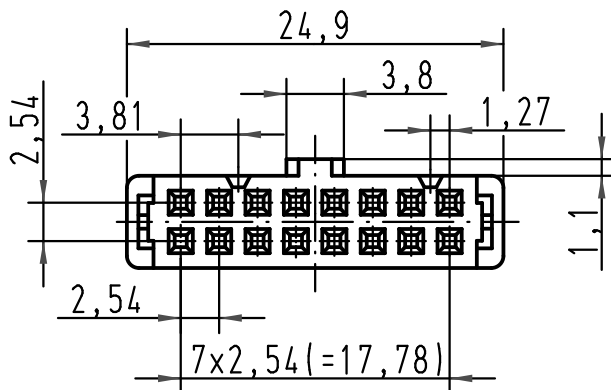
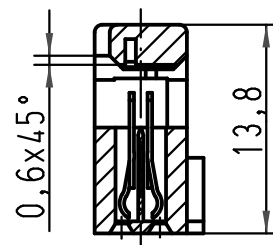


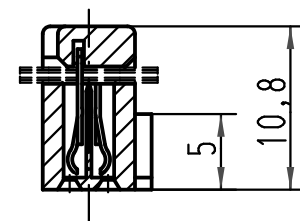
5 4 3 2 1



vorverrastet
pre assembled
preassemble



verrastet
fitted
assemble



1) Markierung erster Kontakt, Ader 1 des Flachkabels
1) Contact no.1, 1st contact wire of flat cable
1) Contact no.1, repère 1 du câble

| | | | | | | | | | | | | | |
|---|--------------------------------------|---|----------------------------------|-------|---|------|-------------------------------|-------------------|--|--|--|--|--------------------|
| A | 0918 516 5803 58U | 0,76 μm Au | Bulk packaging MOQ = 5000 pcs | | All Dimensions in mm Original Size DIN A 4 | | | Techn. Character. | | | Nicht tolerierte Masse! Free size tolerances | | |
| | 0918 516 6803 58U | 2 | | | | | | | | | | | |
| | 0918 516 7803 58U | 3 | | | | | | | | | | | |
| | 0918 516 5803 | 0,76 μm Au | N.A. | | | | | | | | | | |
| | 0918 516 6803 | 2 | N.A. | | | | | | | | | | |
| | 0918 516 7803 | 3 | N.A. | 33797 | 10/08/06 | PK | | | | | | | |
| | Bestell-Nr. Part-No. Reference | Anforderungsstufe Performance level Niveau de qualite | Index Designation | 33788 | 24/07/06 | PK | HARTING EURL F-95972 Paris | | | | TB 09 18 516 X803 | | Blatt/ page 1/1 |
| | | | | 26570 | 01-FEB-00 | JB | | | | | | | |
| | | | | Mod. | Dat. | Name | | | | | | | |