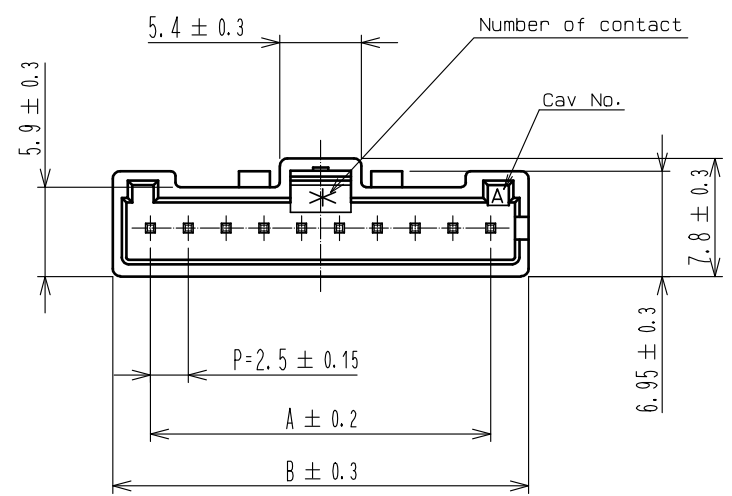


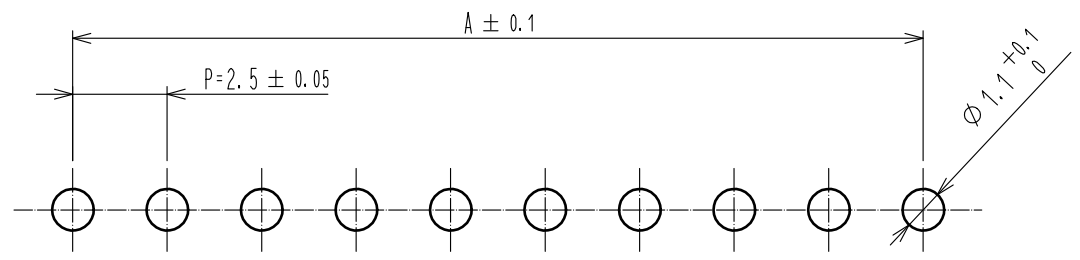
1 2 3 4 5 6 7 8

A
B
C
D
E
F

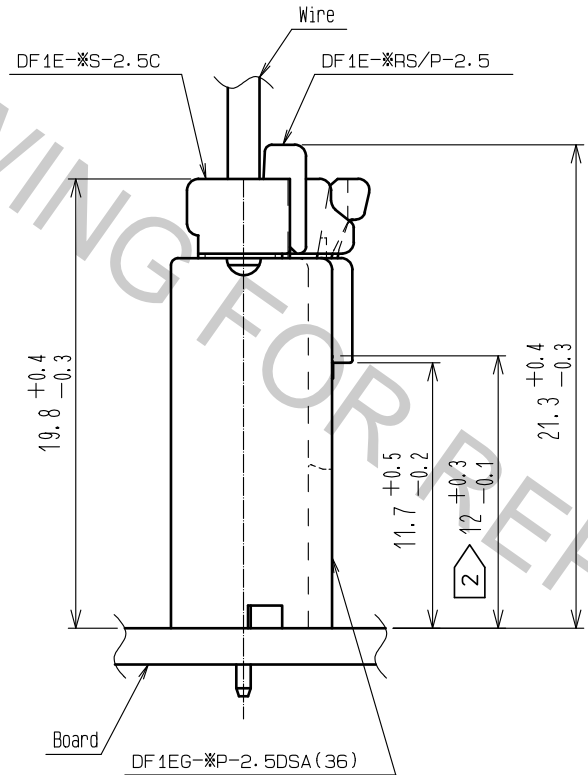
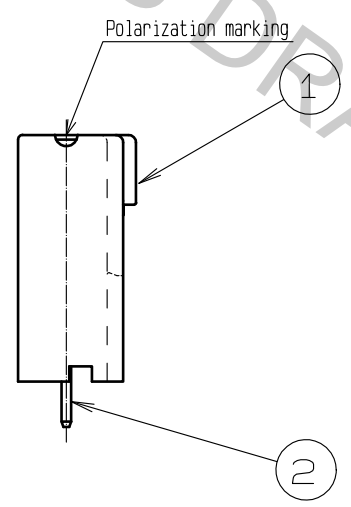
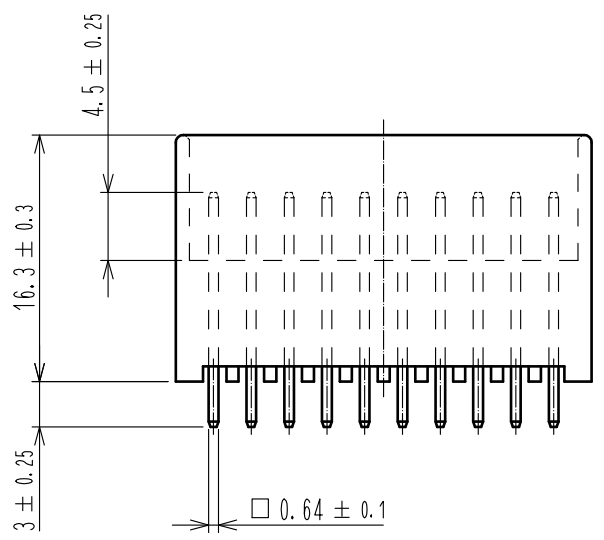
A
B
C
D
E
F



Recommended PCB layout(5:1)
(PCB thickness:1.6±0.1)



Application diagram(3:1)

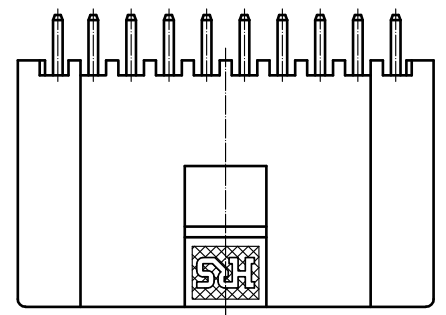
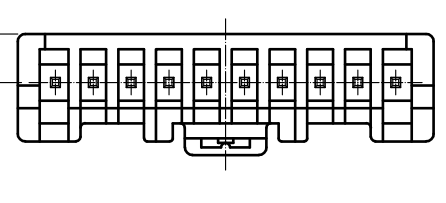
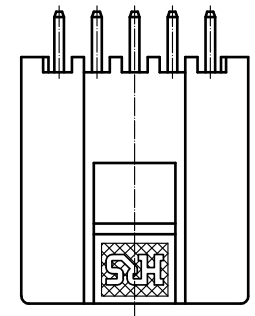


Part No.	Code No.	Number of contact	A	B	C
-	-	-	-	-	-
-	-	-	-	-	-
-	-	-	-	-	-
DF1EG- 5P-2.5DSA(36)	CL541-0926-1-36	5	10	15	7.8
-	-	-	-	-	-
-	-	-	-	-	-
-	-	-	-	-	-
DF1EG-10P-2.5DSA(36)	CL541-0931-1-36	10	22.5	27.5	7.8
-	-	-	-	-	-

- Notes
- 1 Configuration of DF1EG-5P-2.5DSA(36).
 - 2 A connector opening sets to 10.4mm MIN. (Potting height is set to 8.5mm MAX.)
 - 3 UL(File No.E52653)
C-UL(File No.E52653)



1 DF1EG-5P-2.5DSA(36)



1	Polyamide	Natural(Beige), UL94V-0	2	Brass	Surface:Gold plated 0.2µm min Under plating:Nickel plated 1µm min			
NO.	MATERIAL	FINISH . REMARKS	NO.	MATERIAL	FINISH . REMARKS			
UNITS	mm	SCALE	2 : 1	COUNT	DESCRIPTION OF REVISIONS	DESIGNED	CHECKED	DATE
APPROVED : KI. AKIYAMA		15.06.16		DRAWING NO.		EDC-336779-36-00		
CHECKED : KI. AKIYAMA		15.06.16		PART NO.		DF1EG- *P-2.5DSA(36)		
DESIGNED : TS. KUMAZAWA		15.06.15		CODE NO.		CL541-		
DRAWN : MI. SAKIMURA		15.06.15						

1 2 3 4 5 6 7 8