

- NOTE 1. ALL LEADS CO-PLANARITY SHALL BE 0.1 MAX.
 2. PER REEL : 8000 CONNECTORS.
 3. AT THE BEGINNING OF THE REEL, 100 mm AT MIN SHALL BE EMPTY POCKETS.
 AT THE END OF THE REEL, 160 mm AT MIN SHALL BE EMPTY.

4 CONTACT PLATING SPECIFICATIONS.

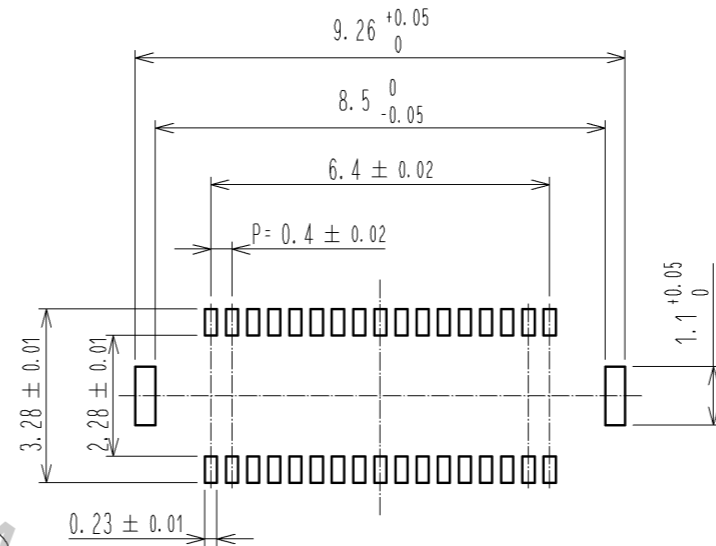
CONTACT AREA : GOLD 0.1μm MIN.
 SMT LEAD : GOLD 0.05μm MIN.
 UNDERPLATING : NICKEL 1μm MIN.
 (SURFACE : SEALING)

5 METAL HOLD DOWN PLATING SPECIFICATIONS.

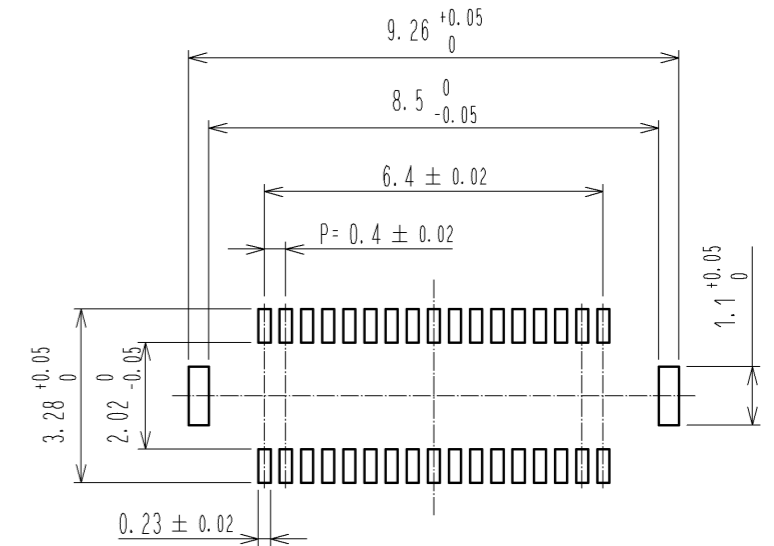
MOUNTING AREA: GOLD 0.05μm MIN.
 UNDERPLATING : NICKEL 1μm MIN.

6. PEEL FORCE OF COVER TAPE REFERS TO JIS C 0806.

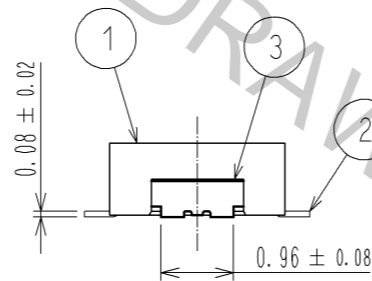
RECOMMENDED METAL MASK
 OPENING PATTERN



RECOMMENDED PATTERN

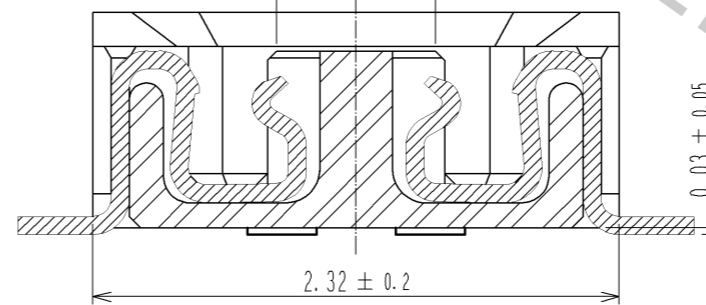


RECOMMENDED SOLDER PASTE THICKNESS: 120μm

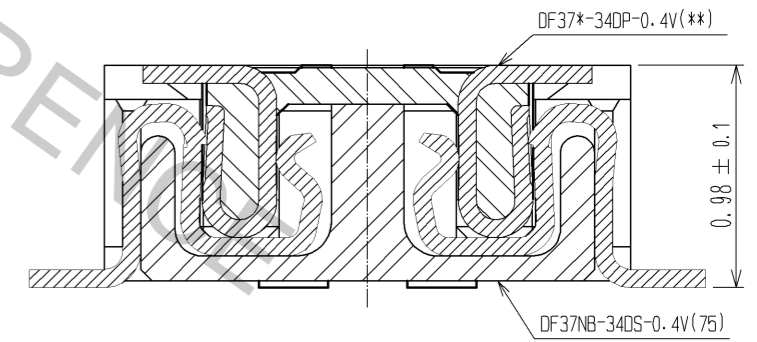


A-A

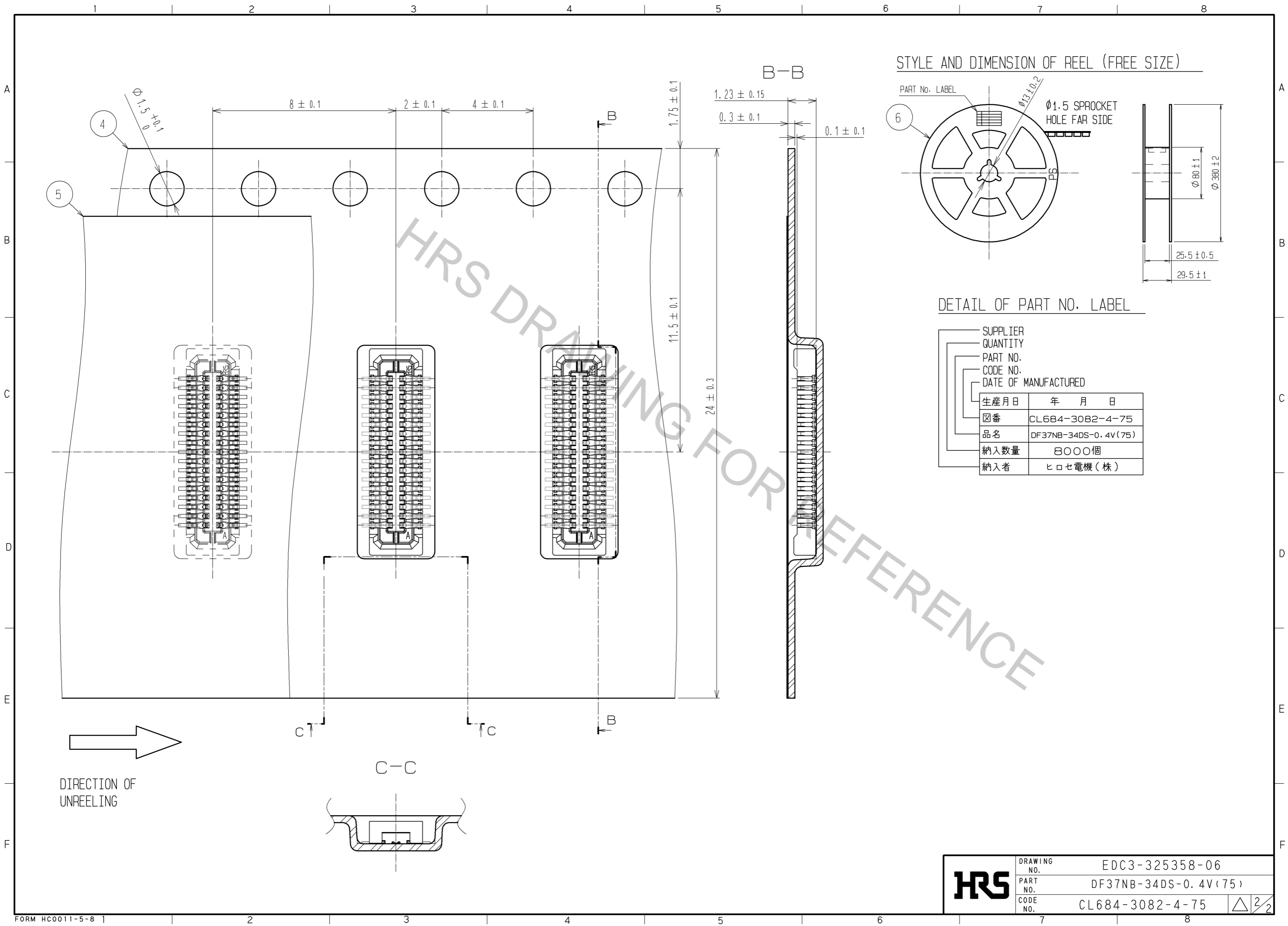
PICK AND PLACE AREA : 0.7 ± 0.2



ENGAGEMENT FIGURE



3	PHOSPHOR BRONZE	5	6	PS	PLASTIC REEL (BLACK)			
2	PHOSPHOR BRONZE	4	5	POLYESTER	CLEAR(COVER TAPE)			
1	LCP	UL94V-0, BLACK	4	PS	CLEAR(EMBOSSED CARRIER TAPE)			
NO.	MATERIAL	FINISH, REMARKS	NO.	MATERIAL	FINISH, REMARKS			
UNITS	mm	SCALE	FREE	COUNT	DESCRIPTION OF REVISIONS	DESIGNED	CHECKED	DATE
HRS		HIROSE ELECTRIC CO., LTD.		APPROVED : KH. IKEDA	10.11.23	DRAWING NO. EDC3-325358-06		
				CHECED : TS. MIYAZAKI	10.11.22	PART NO. DF37NB-34DS-0.4V(75)		
				DESIGNED : RT. SHIMIZU	10.11.22	CODE NO. CL684-3082-4-75		
				DRAWN : YN. SAKAMOTO	10.11.19	1/2		



HRS	DRAWING NO.	EDC3-325358-06
	PART NO.	DF37NB-34DS-0.4V(75)
	CODE NO.	CL684-3082-4-75
		△ 2/2