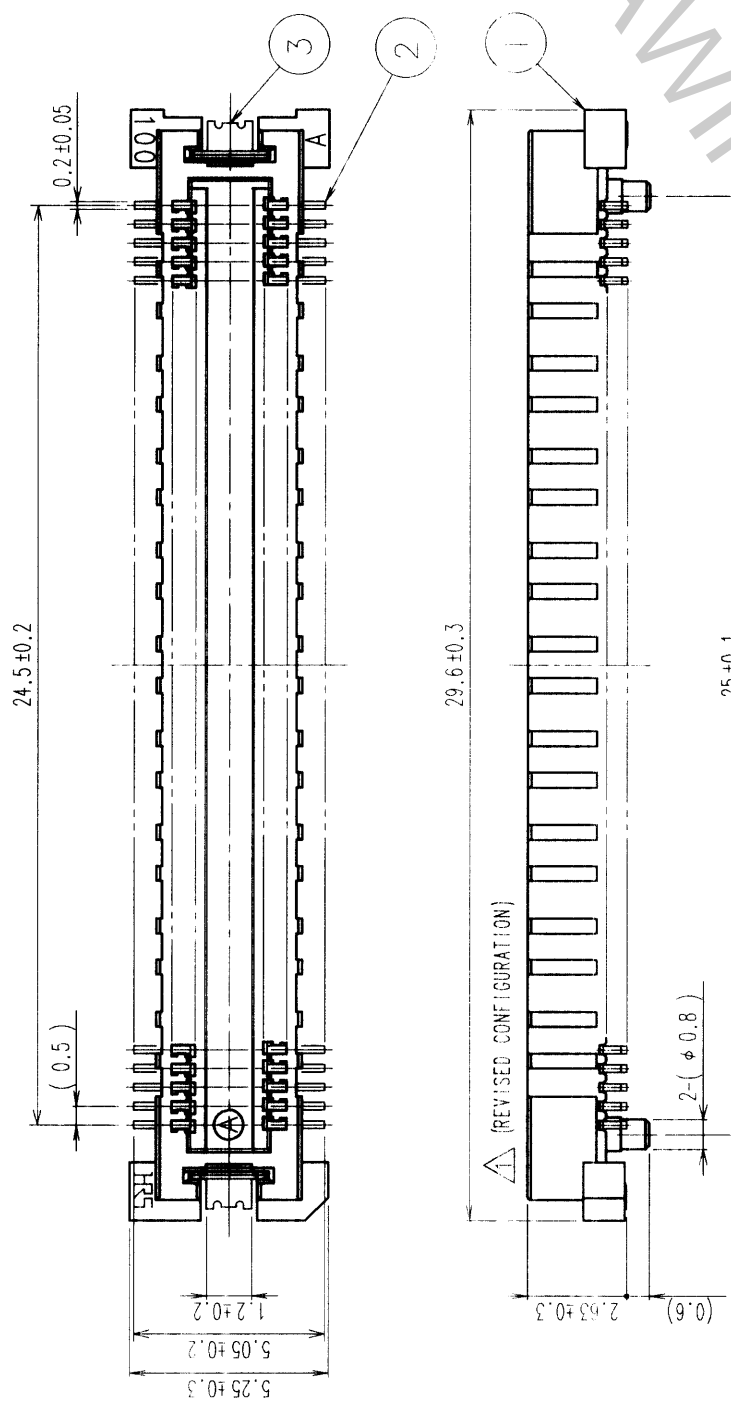
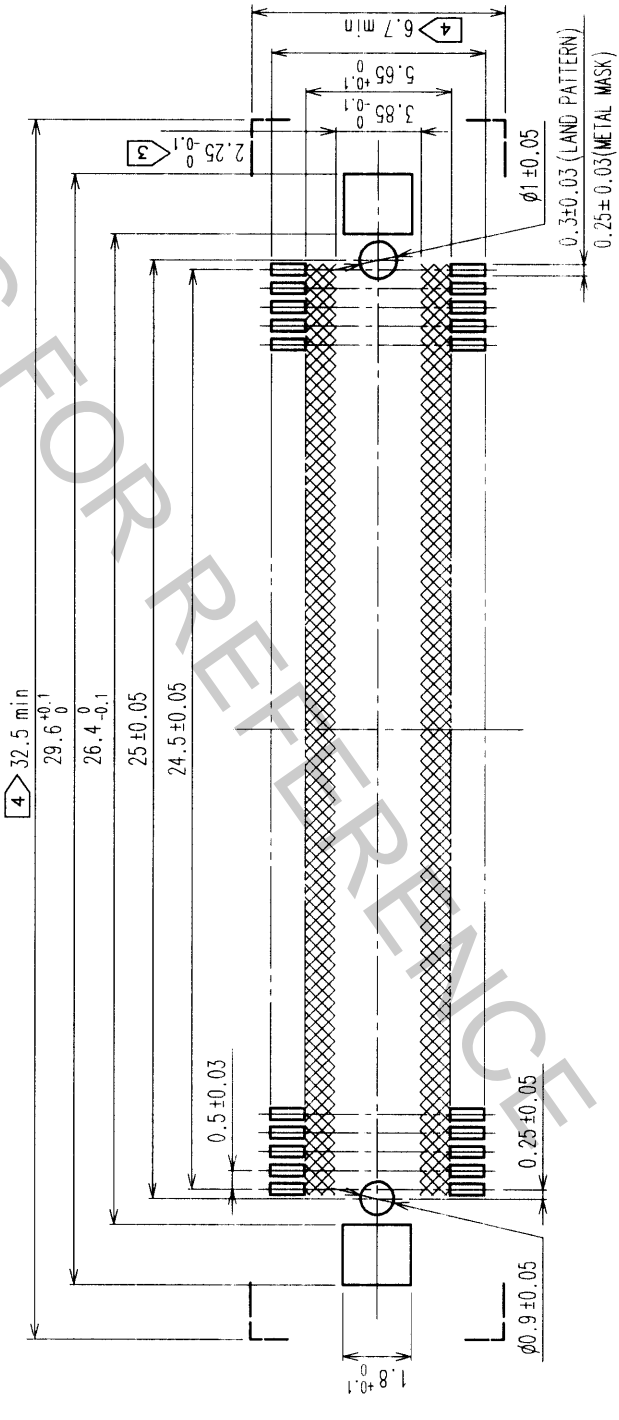


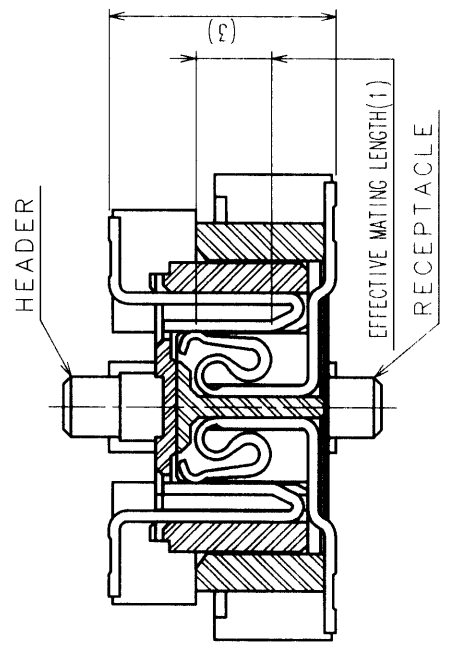
1	2	3	4	5	6	7	8		
COUNT	DESCRIPTION OF REVISIONS	BY	CHKD	DATE	COUNT	DESCRIPTION OF REVISIONS	BY	CHKD	DATE
1	RE-F-06821	J.M	H.O	00.04.06					



RECOMMENDED LAND PATTERN DIMENSION OF PCB



SIGNAL PORTION CROSS SECTION (10:1)



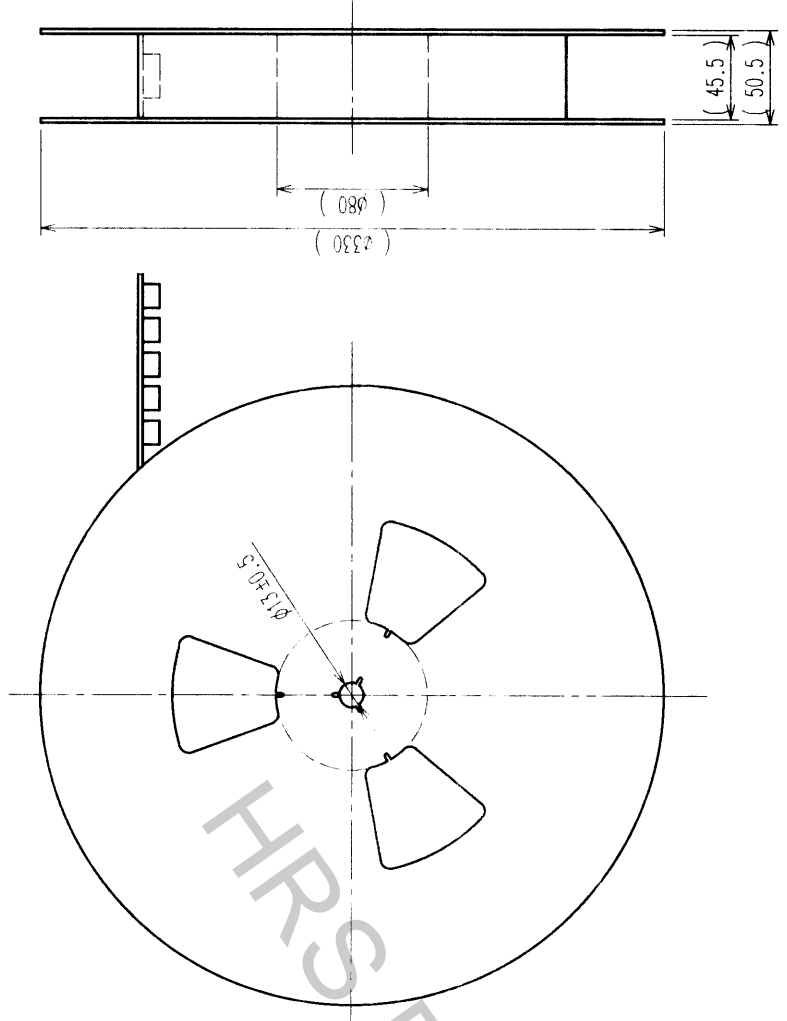
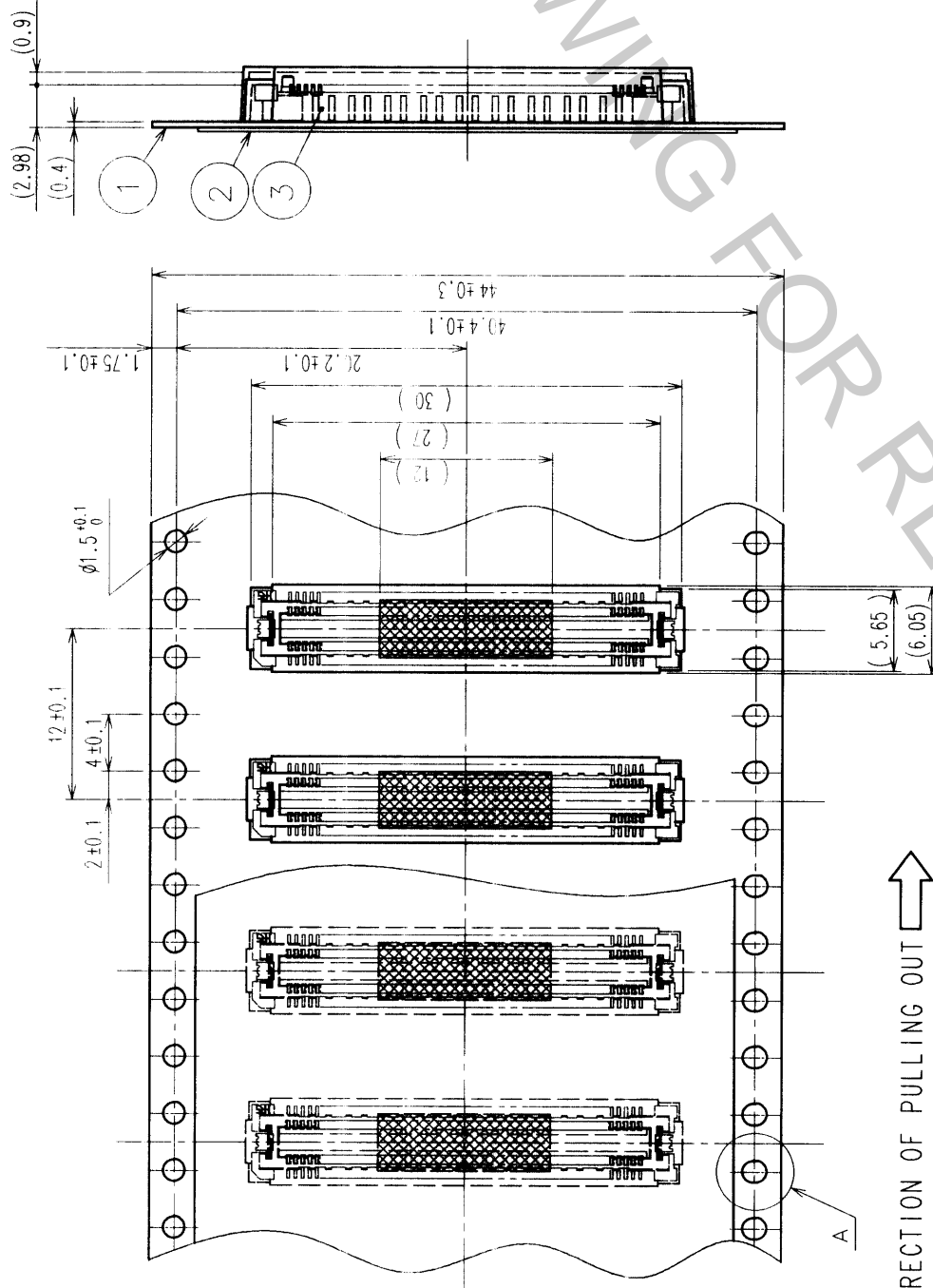
- NOTES
- SMT LEAD-COPLANARITY: 0.1 MAX.
 - THIS PRODUCT HAS NO POLARITY TO PATTERN FOR MOUNTING.
 - MAKE SURE WIDTH OF PATTERN IS WITHIN THAT OF LAND, OR LEAD MAY TOUCH PATTERN. (THIS APPLIES TO HATCHED AREA.)
 - DO NOT MOUNT OTHER DEVICES ONTO [] AREA, OR MATING PAIR CANNOT BE MATED.
 - TO BE EMBOSSED CARRIER TAPED AS SPECIFIED IN SHEET 2.

2	COPPER ALLOY	CONTACT AREA: GOLD (0.1μm) OVER NICKEL LEAD: GOLD FLASH OVER NICKEL					
1	LCP	BEIGE UL94V-0					
NO.	MATERIAL	FINISH, REMARKS	NO.	DESIGNED	CHECKED	APPROVED	RELEASED
	CL			J.MATSUKAWA	M.ISHIDA	Y.YOSHIMURA	
				00.01.15	00.01.15	00.01.17	00.01.17
				PART NO. FX11A-100P-SV0.5(22)			
				DRAWING NO. EDC3-152623-02			
				SCALE 5:1			
				UNITS mm			
				HRS HIROSE ELECTRIC CO., LTD.			
				CODE NO. CL573-0643-1-22			
				1/2			

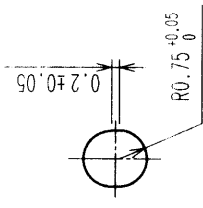
TO	
PCK	

COUNT	DESCRIPTION OF REVISIONS	BY	CHKD	DATE	COUNT	DESCRIPTION OF REVISIONS	BY	CHKD	DATE
1									
2									
3									
4									
5									

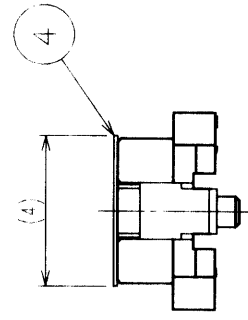
REELED DIMENSION (FREE)



A (5:1)



DETAIL FOR VACUUM PICKUP (5:1)



- NOTES 1 REEL: 1000 CONNECTORS.
- 2 MINIMUM 10 COMPARTMENTS FROM BOTH REEL ENDS REMAIN EMPTY.
- 3 THIS PRODUCT HAS NO POLARITY TO TAPE AND REEL PACKAGING.

2	PET	TOP COVER TAPE	4	POLYIMIDE	(TAPE FOR VACUUM PICKUP)
1	PS	EMBOSSED CARRIER TAPE	3	(CONNECTOR)	
NO.	MATERIAL	FINISH, REMARKS	NO.	MATERIAL	FINISH, REMARKS
CODE NO. (OLD) CL					
DRAWN J. MATSUKAWA		DESIGNED J. MATSUKAWA		CHECKED M. ISHIDA	APPROVED Y. YOSHIMURA
00.01.15		00.01.15		00.01.17	00.01.17
DRAWING FOR PACKING			PART NO.		
EDC3-152623-02			FX11A-100P-SV0.5(22)		
SCALE 2:1			CODE NO.		
UNITS mm			CL573-0643-1-22		
HIROSE ELECTRIC CO., LTD			2		

TO	
PCK	