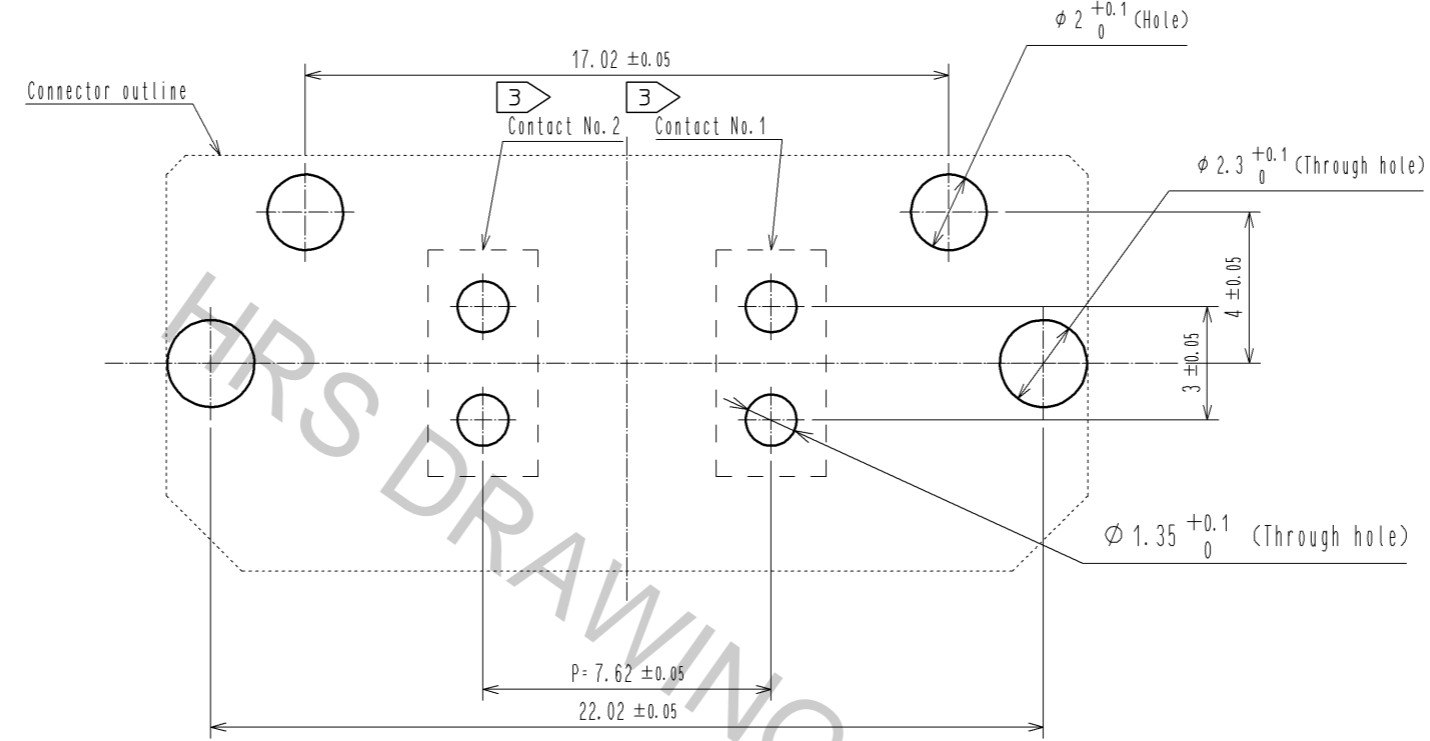


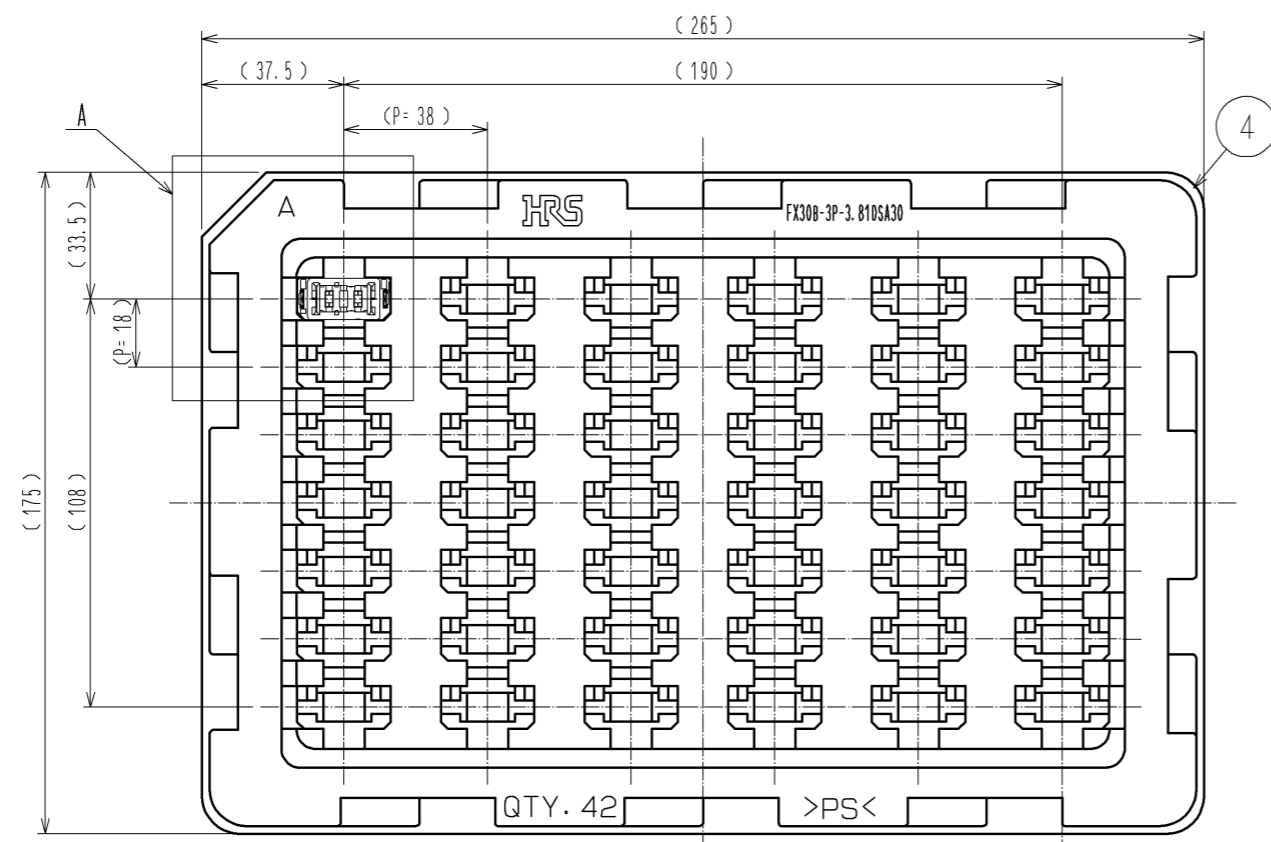
- NOTE
- 1 This product is packaged in tray. (42pcs/tray)
  - 2 Blemish and hit mark can be occurred through out the manufacturing process which doesn't affect quality level. Also, black spot could be observed on the surface of housing.
  - 3 For the contact NO., adjacent two pairs of leads placed back-to-back (4 leads in total) Compose one line.
  - 4 Misalignment absorbing range: ±0.3mm max.
  - 5 The dimension in parentheses are for references.
  - 6 Lot NO. is indicated at either one of the position as shown.

|                                      |              |                                 |            |                          |                            |         |      |
|--------------------------------------|--------------|---------------------------------|------------|--------------------------|----------------------------|---------|------|
| 2                                    | Copper alloy | Contact area:Gold-plating 0.1μm | 4          | Polystyrene              |                            |         |      |
|                                      |              | Lead area:Tin-plating 1.0μm     |            |                          |                            |         |      |
|                                      |              | Under plating:Nickel 1.0μm      | 3          | Phosphor bronze          | Tin-plating 3.0μm          |         |      |
| 1                                    | Polyamide    | Black UL94V-0                   |            |                          | Under plating:Nickel 1.0μm |         |      |
| NO.                                  | MATERIAL     | FINISH . REMARKS                | NO.        | MATERIAL                 | FINISH . REMARKS           |         |      |
| UNITS<br>mm                          |              | SCALE<br>2 : 1                  | COUNT<br>△ | DESCRIPTION OF REVISIONS | DESIGNED                   | CHECKED | DATE |
| <b>HRS</b> HIROSE ELECTRIC CO., LTD. |              | APPROVED : HS. OKAWA            | 14. 09. 12 | DRAWING NO.              | EDC3-359161-00             |         |      |
|                                      |              | CHECED : KN. SHIBUYA            | 14. 09. 12 | PART NO.                 | FX30B-2P-7. 62DSA30        |         |      |
|                                      |              | DESIGNED : DK. AIMOTO           | 14. 09. 12 | CODE NO.                 | CL570-3304-3-00            |         |      |
|                                      |              | DRAWN : DK. AIMOTO              | 14. 09. 12 |                          | △ 1/2                      |         |      |

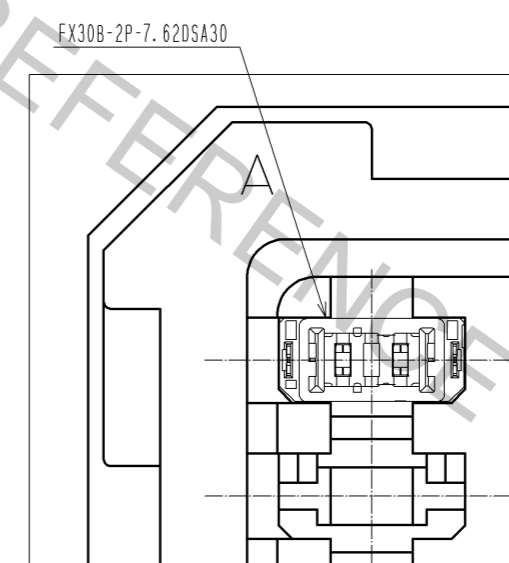
Recommended hole pattern dimension of PCB(5:1)  
 (Connector mounting side, PCB thickness:t=1.6mm)



1 Drawing for packaging(1:2)



A(1:1)



|            |             |                    |       |
|------------|-------------|--------------------|-------|
| <b>HRS</b> | DRAWING NO. | EDC3-359161-00     | △ 2/2 |
|            | PART NO.    | FX30B-2P-7.62DSA30 |       |
|            | CODE NO.    | CL570-3304-3-00    |       |
|            |             |                    |       |