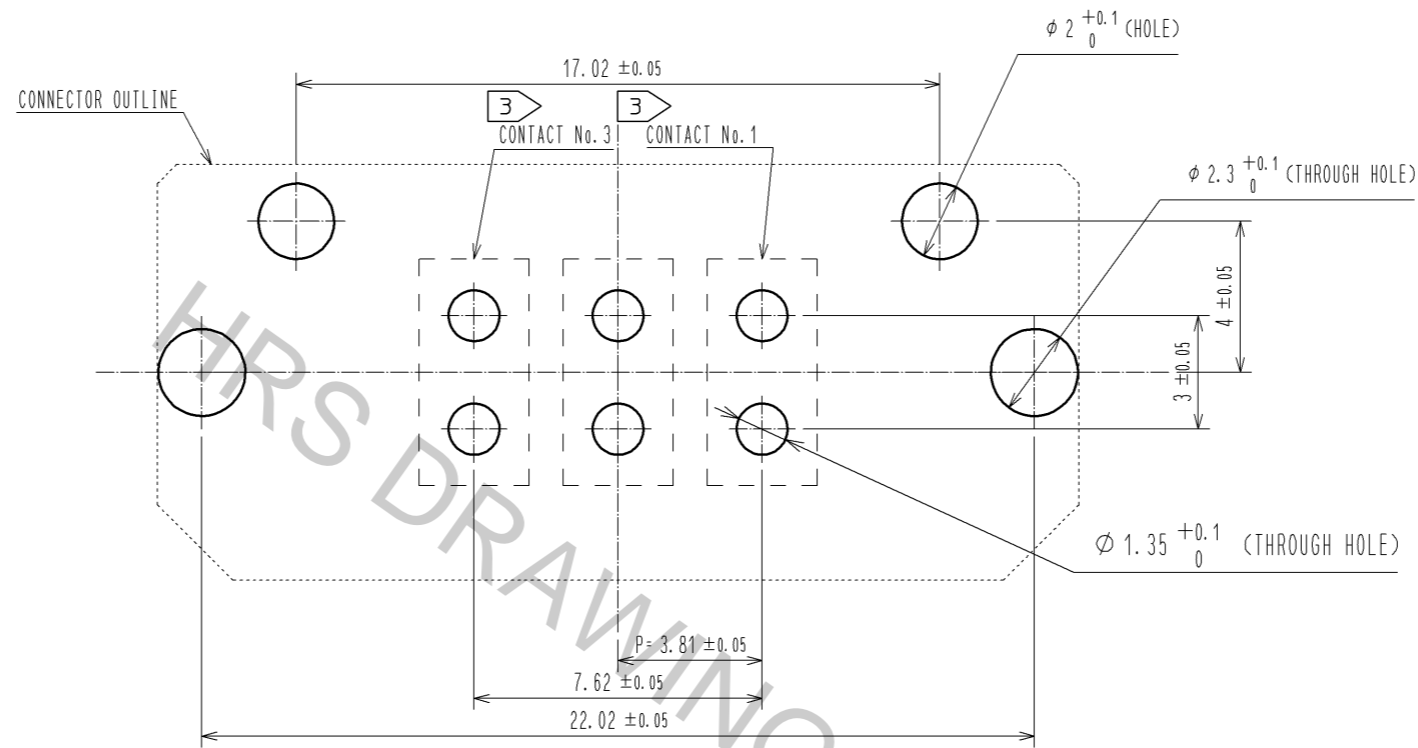


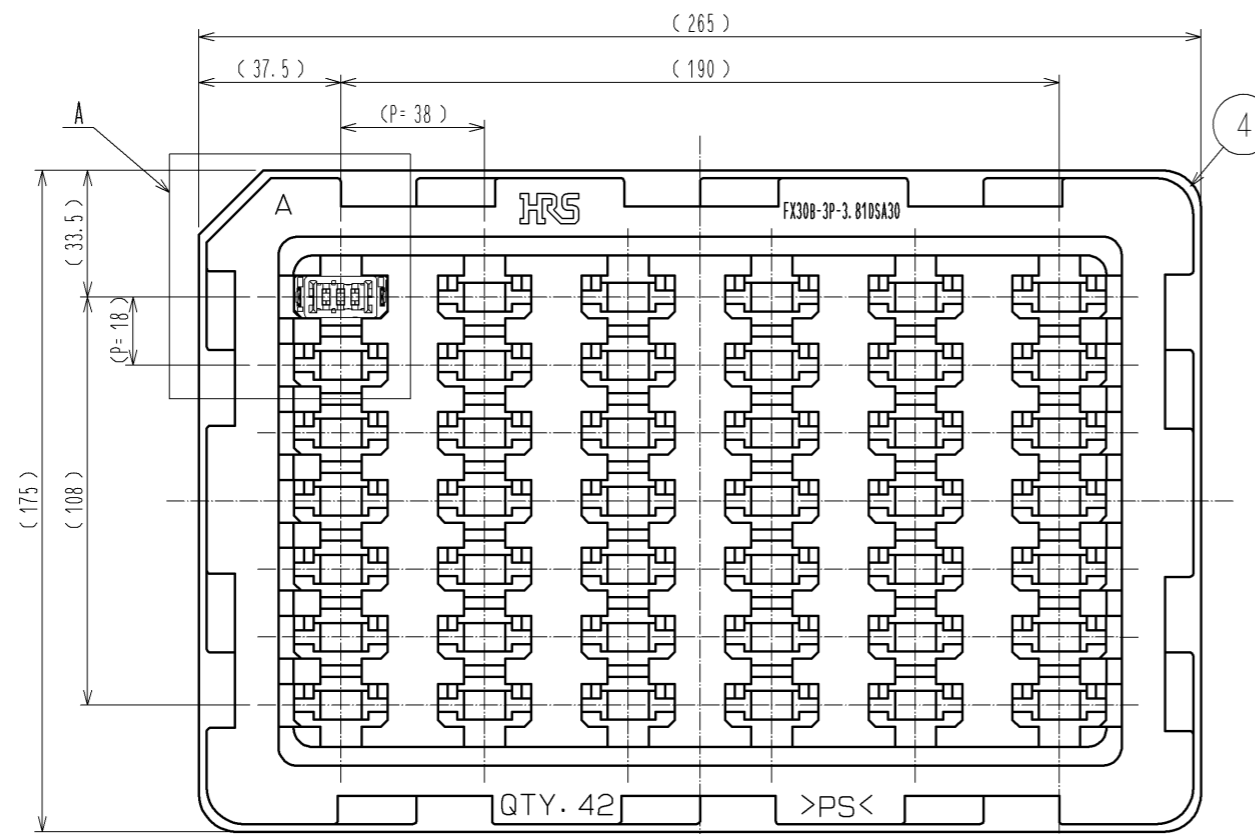
- NOTE
- 1 THIS PRODUCT IS PACKAGED IN TRAY. (42pcs/TRAY)
  - 2 BLEMISH AND HIT MARK CAN BE OCCURED THROUGH OUT THE MANUFACTURING PROCESS WHICH DOESN'T AFFECT QUALITY LEVEL. ALSO, BLACK SPOT COULD BE OBSERVED ON THE SURFACE OF HOUSING.
  - 3 FOR THE CONTACT NO., ADJACENT TWO PAIRS OF LEADS PLACED BACK-TO-BACK (4 LEADS IN TOTAL) COMPOSE ONE LINE.
  - 4 MISALIGNMENT ABSORBING RANGE: ±0.3mm max.
  - 5 THE DIMENSION IN PARENTHESES ARE FOR REFERENCES.
  - 6 LOT NO. IS INDICATED AT EITHER ONE OF THE POSITION AS SHOWN.

|                                      |              |                                  |            |                          |                             |         |      |
|--------------------------------------|--------------|----------------------------------|------------|--------------------------|-----------------------------|---------|------|
| 2                                    | COPPER ALLOY | CONTACT AREA:GOLD-PLATING 0.1 μm | 4          | POLYSTYRENE              |                             |         |      |
|                                      |              | LEAD AREA:TIN-PLATING 1.0 μm     |            |                          |                             |         |      |
|                                      |              | UNDER PLATING:NICKEL 1.0 μm      | 3          | PHOSPHOR BRONZE          | TIN-PLATING 3.0 μm          |         |      |
| 1                                    | POLYAMIDE    | BLACK UL94V-0                    |            |                          | UNDER PLATING:NICKEL 1.0 μm |         |      |
| NO.                                  | MATERIAL     | FINISH . REMARKS                 | NO.        | MATERIAL                 | FINISH . REMARKS            |         |      |
| UNITS<br>mm                          |              | SCALE<br>2 : 1                   | COUNT<br>△ | DESCRIPTION OF REVISIONS | DESIGNED                    | CHECKED | DATE |
| <b>HRS</b> HIROSE ELECTRIC CO., LTD. |              | APPROVED : HS. OKAWA             | 13.03.13   | DRAWING NO.              | EDC3-347265-00              |         |      |
|                                      |              | CHECED : KI. HIROKAWA            | 13.03.12   | PART NO.                 | FX30B-3P-3.81DSA30          |         |      |
|                                      |              | DESIGNED : DK. AIMOTO            | 13.03.11   | CODE NO.                 | CL570-3301-5-00             |         |      |
|                                      |              | DRAWN : DK. AIMOTO               | 13.03.11   |                          | △ 1/2                       |         |      |

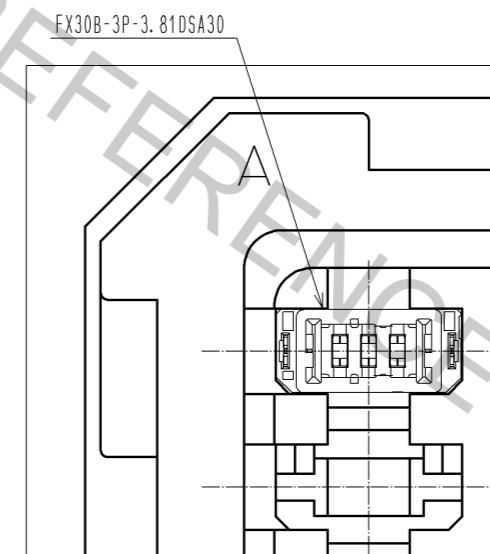
RECOMMENDED HOLE PATTERN DIMENSION OF PCB(5:1)  
(CONNECTOR MOUNTING SIDE, PCB THICKNESS: t=1.6mm)



1 DRAWING FOR PACKAGING(1:2)



A(1:1)



|            |             |                    |       |
|------------|-------------|--------------------|-------|
| <b>HRS</b> | DRAWING NO. | EDC3-347265-00     | △ 2/2 |
|            | PART NO.    | FX30B-3P-3.81DSA30 |       |
|            | CODE NO.    | CL570-3301-5-00    |       |
|            |             |                    |       |