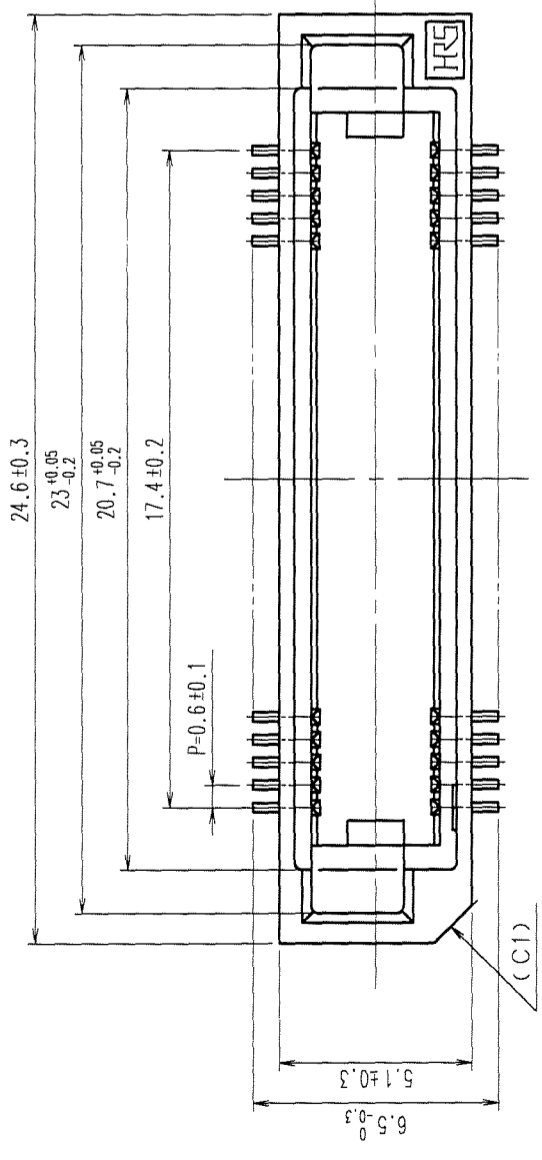
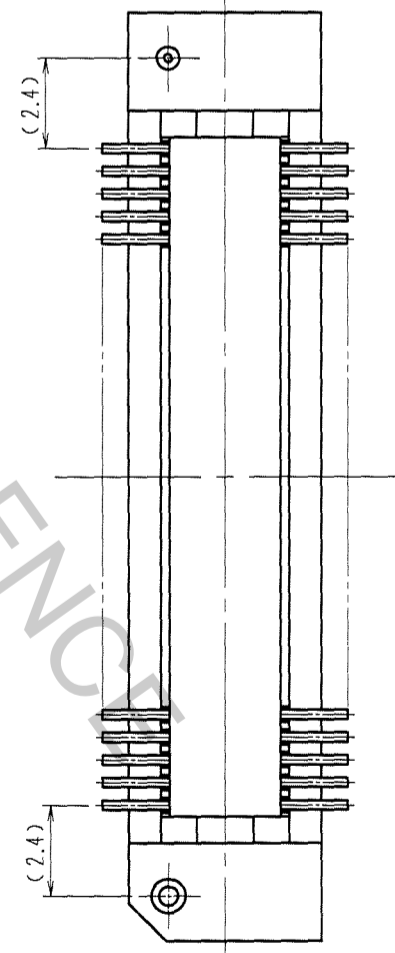
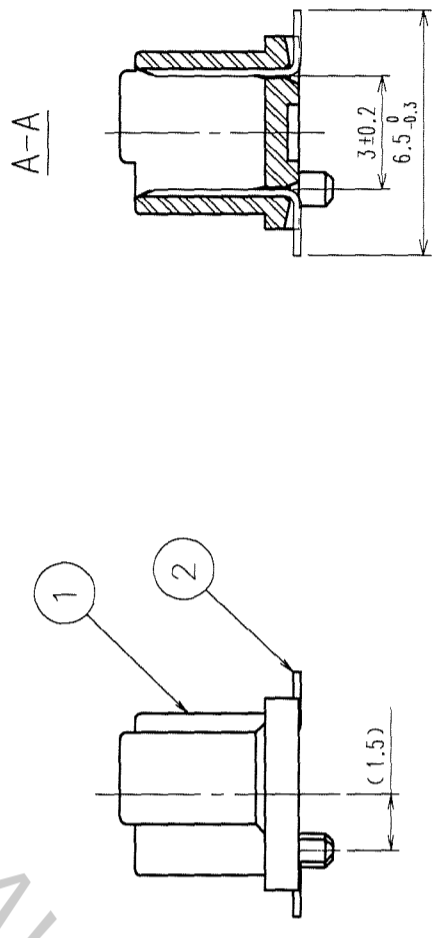
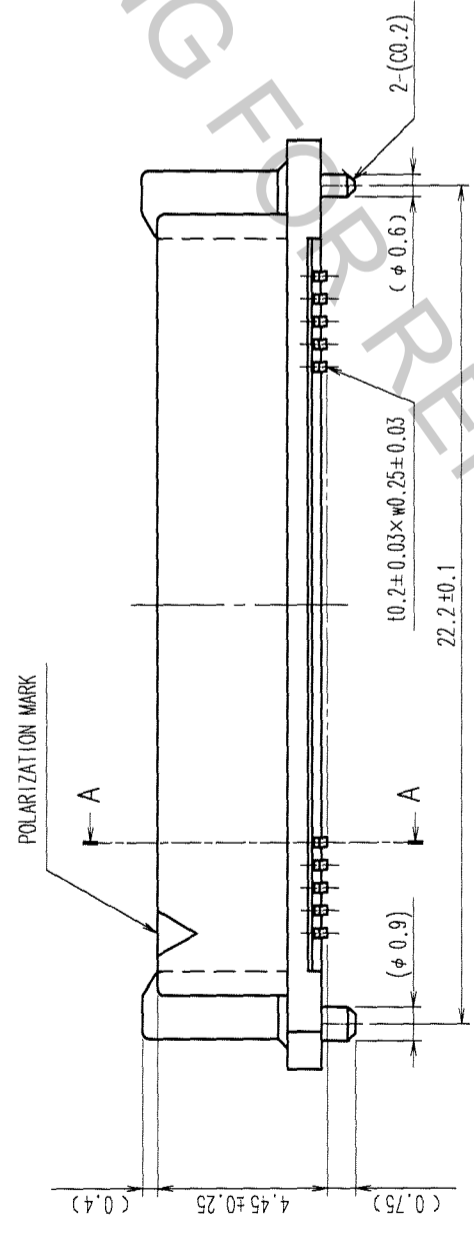
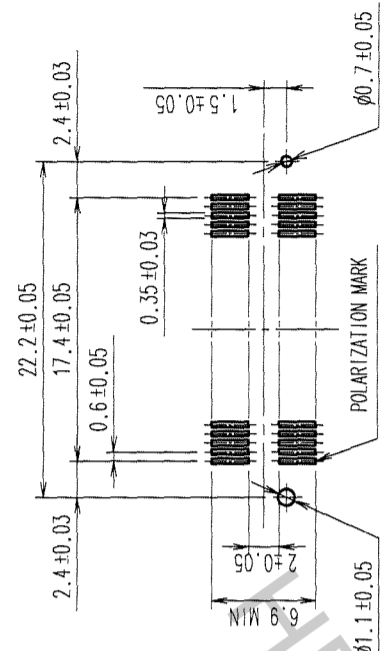


COUNT	DESCRIPTION OF REVISIONS	BY	CHKD	DATE	COUNT	DESCRIPTION OF REVISIONS	BY	CHKD	DATE
△									
△									
△									



RECOMMENDED LAND PATTERN DIMENSION OF PCB (MOUNTING SIDE) (2:1)



- NOTE 1. LEAD CO-PLANARITY SHALL BE 0.1mm MAX.
 2. FOR MODIFICATION, ETC., PREVENTIVE HOLE FOR SINK MARK MAY BE ADDED ACCORDING TO CIRCUMSTANCES.
 3. THE DIMENSIONS IN PARENTHESES ARE FOR REFERENCE.

1	PPS	LIGHT BROWN (UL94V-0)	2	PHOSPHOR BRONZE	CONTACT AREA: GOLD 0.1μm min. LEAD AREA: GOLD FLASH UNDER PLATING: NICKEL 0.5μm min.
NO.	MATERIAL	FINISH, REMARKS	NO.	MATERIAL	FINISH, REMARKS
CODE NO. (COLD) CL					
DRAWN K. NAKAMURA		DESIGNED K. NAKAMURA		CHECKED <i>K. Ogawa</i>	APPROVED <i>H. Okawa</i>
05.11.15		05.11.15		05.11.16	
DRAWING NO. EDC3-150821-25			PART NO. FX8C-60P-SV(71)		
SCALE 5 : 1			CODE NO. CL578-0501-9-71		
UNITS mm			FORM NO. 2.29		

TO
PCK