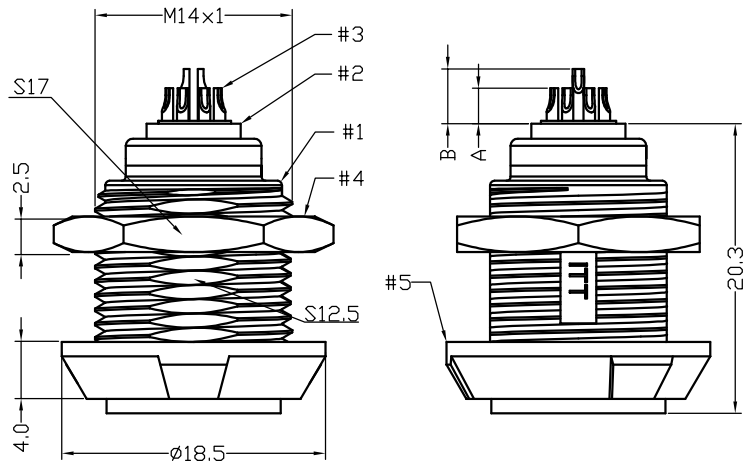
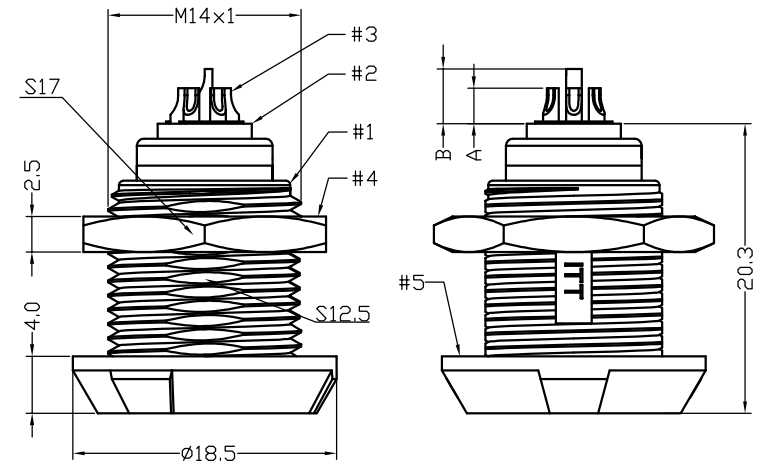


B1 TYPE



B4 TYPE



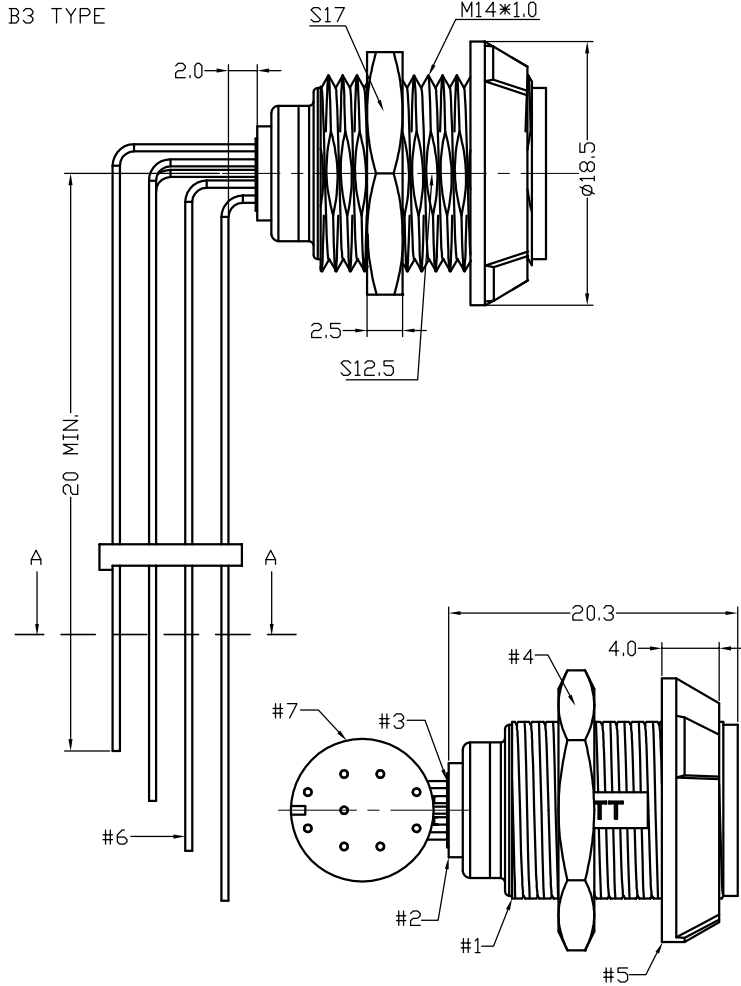
NOTES :

- 1.MATERIAL
- #1 OUTER SHELL : PSU
- #2 INSULATOR : PEEK
- #3 CONTACT : COPPER ALLOY
- #4 HEX NUT : COPPER ALLOY
- #5 FRONT NUT : PSU
- 2.NUMBER OF CONTACT : 2 TO 14 POSITION
- 3.PANEL HOLE
- 4.ROHS DIRECTIVE COMPLIANCE

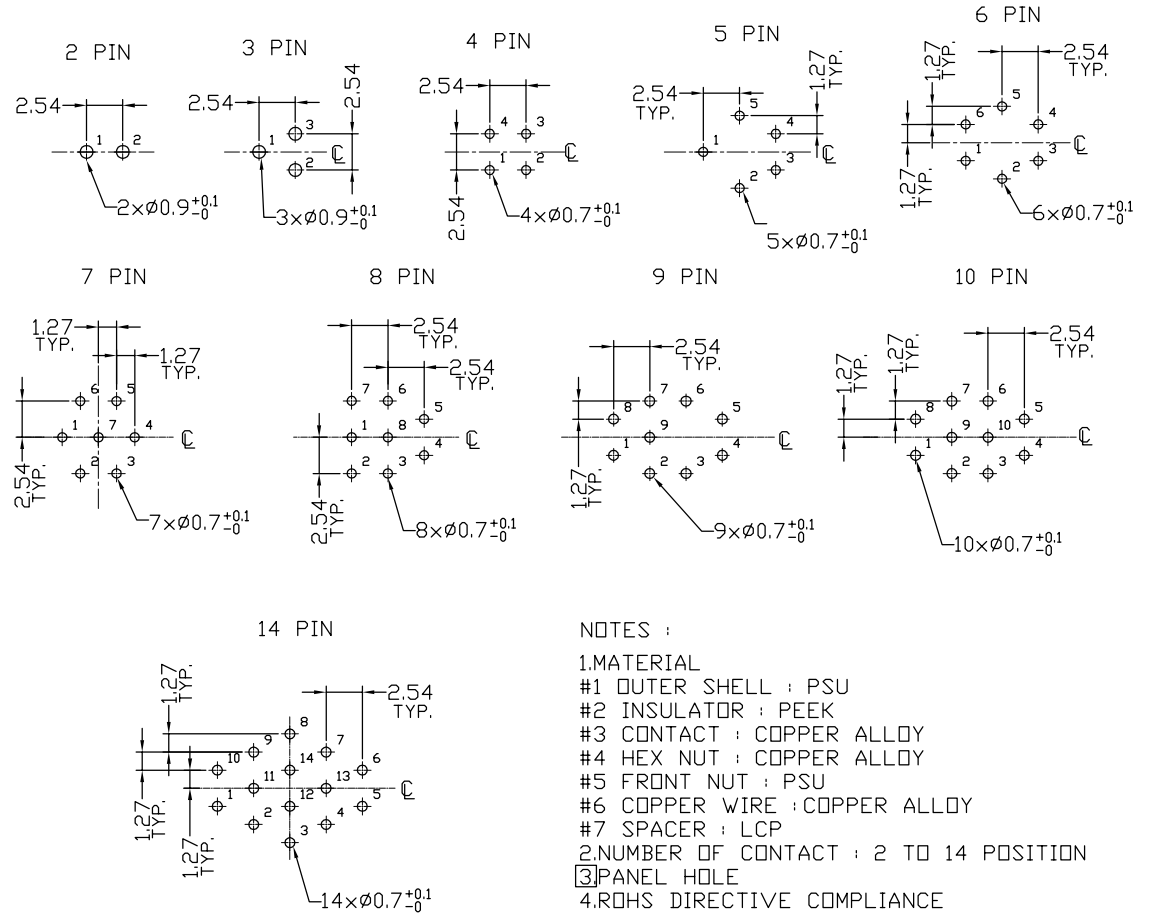
NUMBER OF CONTACTS		2	3	4	5	6	7	8	9	10	14
DIMENSIONS	A	2.5	2.5	2.5	2.5	2.5	2.5	2.5	2.5	2.5	2.5
	B	-	-	-	-	-	3.9	3.9	3.9	3.9	3.9

DO NOT SCALE			Total Volume =	Total Surface Area =			PDM:	A3/B
Drawn	DANIEL	08-May-15	Material:			Toupandun Industrial Area, Jinda Cheng, Xiner Village, Sha Jing Town, Baoan District, Shenzhen City PRC 518125	Pro/E Generic Model	
Checked	HEROD	08-May-15					Title	
Engineer	DANIEL	08-May-15	Treatment:		Cannon Electronics (SZ) Co. Ltd.	PUSH PULL PLASTIC RECEPTACLE		
Manufact.						Title		
Assembly			Dimensions in	Unless Specified Ref:	Cust Spec No:	Scale 2:1	Sheet 1 of 4	Drwg. No. CU-132043
Quality								
Approvals	Sign	Date					Iss/rev A	

A	INITIAL ISSUE	08-May-15
Iss/rev	DCN/ECN or Description	Date



PCB DRILLING PATTERN,SEE FROM A-A VIEW.



- NOTES :
- 1.MATERIAL
 #1 OUTER SHELL : PSU
 #2 INSULATOR : PEEK
 #3 CONTACT : COPPER ALLOY
 #4 HEX NUT : COPPER ALLOY
 #5 FRONT NUT : PSU
 #6 COPPER WIRE : COPPER ALLOY
 #7 SPACER : LCP
 - 2.NUMBER OF CONTACT : 2 TO 14 POSITION
 - 3.PANEL HOLE
 - 4.ROHS DIRECTIVE COMPLIANCE

DO NOT SCALE			Total Volume =	Total Surface Area =		PDM:	A3/B		
Drawn	DANIEL	08-May-15	Material:		ITT Industries Cannon Electronics (SZ) Co. Ltd.	Pro/E Generic Model			
Checked	HEROD	08-May-15				Title			
Engineer.	DANIEL	08-May-15				PUSH PULL PLASTIC RECEPTACLE			
Manufact.			Treatment:		Unless Specified Ref: Cust Spec No:	Scale 2:1	Sheet 2 of 4		
Assembly						Drwg. No.	CU-132043	Iss/rev	A
Quality						This is issued in strict confidence on condition that it is not used as a basis for manufacture or sale and that it is not copied, reprinted or disclosed to a third party either wholly or in part without the prior written consent of ITT Industries. C 08-May-15			
Approvals	Sign	Date	Dimensions in						

A	INITIAL ISSUE	08-May-15
Iss/rev	DCN/ECN or Description	Date

RECEPTACLE

B1: Receptacle with two nuts
(back panel mounting)
---solder contact

B3: Receptacle with two nuts,
with 90° contacts for printed circuit
(back panel mounting)
---PCB contact

B4: Receptacle, front nut fixing
---solder contact

OUTER SHELL MATERIAL

G=GREY PSU (STANDARD) B=BLACK PSU
F=BLACK P=GREY PEI PEI

BACK NUT COLOR

0=BLACK 1=WHITE 2=RED
4=YELLOW 5=GREEN
6=BLUE 8=GREY

PL X X X X X X X X X X

NUMBER OF CONTACTS

02=2PIN 04=4PIN
03=3PIN 05=5PIN
06=6PIN 08=8PIN
07=7PIN 09=9PIN
10=10PIN 14=14PIN

CODING

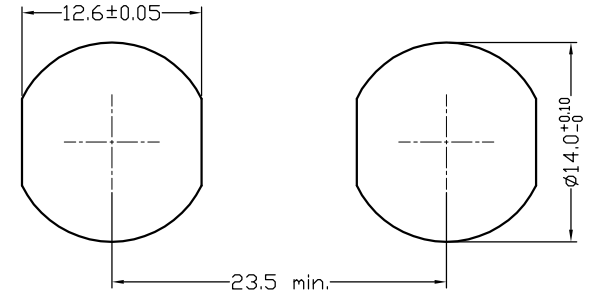
0=0° (STANDARD)
A=40° C=60°
E=80° H=170° J=205°

CABLE COLLET



0=NO CABLE COLLET

CONTACT PLATING

2= GOLD PLATING 20u''

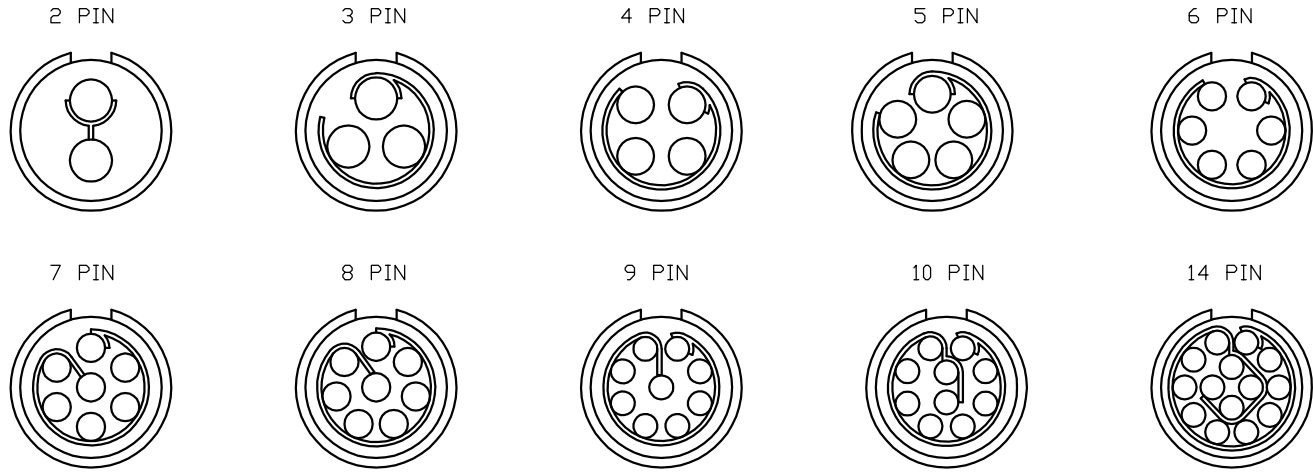


PANEL HOLE

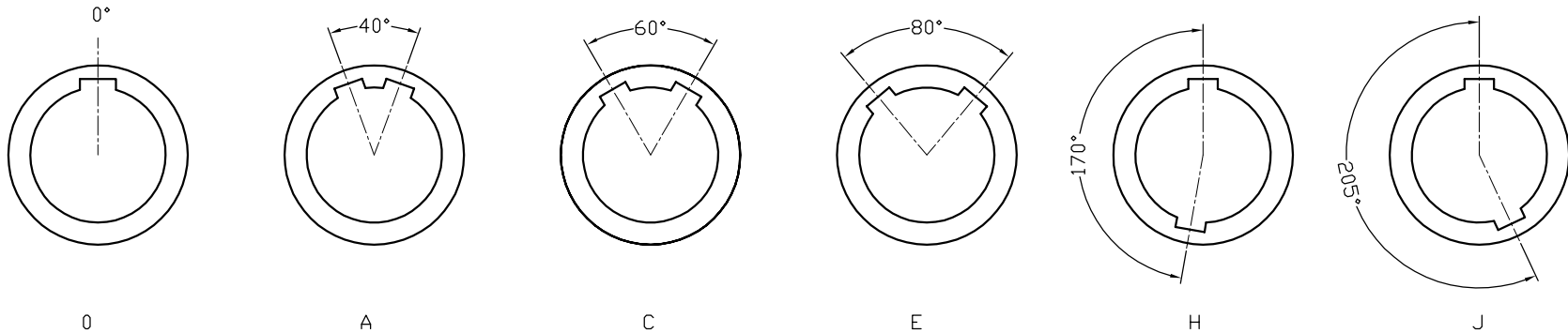
DO NOT SCALE			Total Volume =	Total Surface Area =	PDM:	A3/B
Drawn	DANIEL	08-May-15	Material:		 ITT Industries Cannon Electronics (SZ) Co. Ltd. Toupandun Industrial Area, Jinda Cheng, Xiner Village, ShaJing Town, Baoan District, Shenzhen City PRC 518125	Pro/E Generic Model Title PUSH PULL PLASTIC RECEPTACLE
Checked	HEROD	08-May-15				
Engineer.	DANIEL	08-May-15	Treatment:	Surface Roughness Unless Specified	Ref:	Drwg. No. CU-132043 Iss/rev A
Manufact.						
Assembly			Dimensions in:	Cust Spec No:	Scale 2:1	Sheet 3 of 4
Quality						
Approvals	Sign	Date	This is issued in strict confidence on condition that it is not used as a basis for manufacture or sale and that it is not copied, reprinted or disclosed to a third party either wholly or in part without the prior written consent of ITT Industries. C 08-May-15			

A	INITIAL ISSUE	08-May-15
ISS/REV	DCN/ECN or Description	Date

VIEW FROM TERMINATION SIDE



CODING (RECEPTACLE FRONT VIEW):



DO NOT SCALE			Total Volume =	Total Surface Area =	PDM:	A3/B	
Drawn	DANIEL	08-May-15	Material:	 3rd ANGLE PROJECTION	Toupandun Industrial Area, Jinda Cheng, Xiner Village, Sha Jing Town, Baoan District, Shenzhen City PRC 518125	Pro/E Generic Model	
Checked	HEROD	08-May-15				ITT Industries Cannon Electronics (SZ) Co. Ltd.	Title
Engineer.	DANIEL	08-May-15					PUSH PULL PLASTIC RECEPTACLE
Manufact.			Treatment:	Surface Roughness			
Assembly			Dimensions in	Unless Specified	Ref:		
Quality							
Approvals	Sign	Date		Cust Spec No:	Scale 2:1	Sheet 4 of 4	
Iss/rev	DCN/ECN or Description	Date	This is issued in strict confidence on condition that it is not used as a basis for manufacture or sale and that it is not copied, reprinted or disclosed to a third party either wholly or in part without the prior written consent of ITT Industries. C 08-May-15			Drwg. No. CU-132043	Iss/rev A