

## SUMMARY



*Image is for illustrative purpose only*

### # Wires

Low	0
High	0
Coax	0
Triax	0
Quad	0
Fiber	0
Fluidic	0

### Download

[Request a quote](#)

[Catalog](#)

Series	2B
Termination type	No contacts / Accessory
IP rating	61
Cable Ø	0.00 - 0.00 mm
Matching parts	
Status	
Alternative part	

## TECHNICAL DETAILS

### Mechanics

Shell Style/Model	BRA*: Cap for receptacle
Keying	2 keys (alpha=30, plug: male contacts, receptacle: female contacts)
Housing Material	POM (Polyoxymethylene) shell without treatment, silicone gasket
Cable Fixing	∅ 0 - 0 mm
Variant	

### Performance

Configuration
Insulator
Rated Current

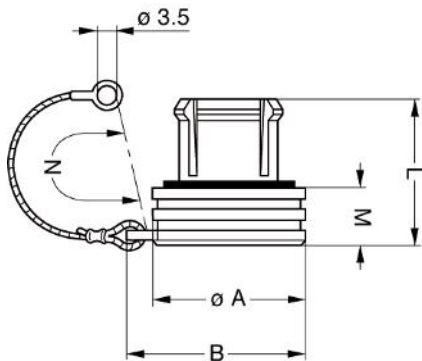
### Others

Temp (min / max): -55° C / +250° C
Humidity (max): <=95% [at 60 deg C / 140 F]

Vibration: 15 g [10 Hz - 2000 Hz]  
 Shock Resistance: 100 g [ 6 ms]  
 Salt Spray Corrosion: >1000 hr  
 Climatical Category: 50/175/21  
 Shielding (min): 75 dB (10 MHz)  
 Shielding (min): 40 dB (1 GHz)  
 IP Rating: 61

## DRAWINGS

### Draws



### Dimensions

	A	B	L	M	N
mm.	18	21	14.5	6	60
in.	0,71	0,83	0,57	0,24	2,36

## RECOMMENDED BY LEMO

### Tools

None

### Cables