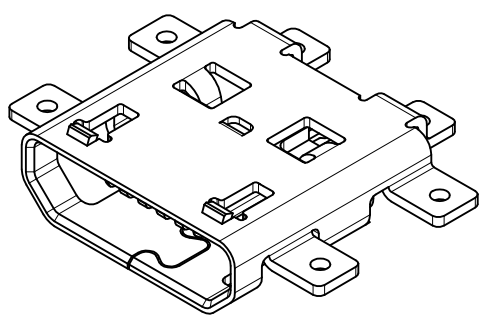
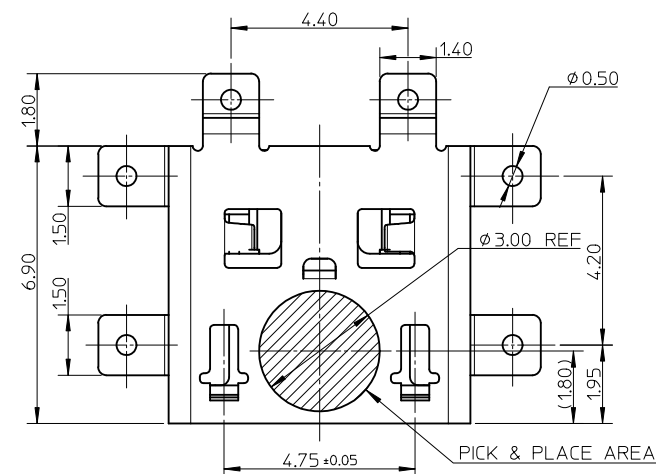
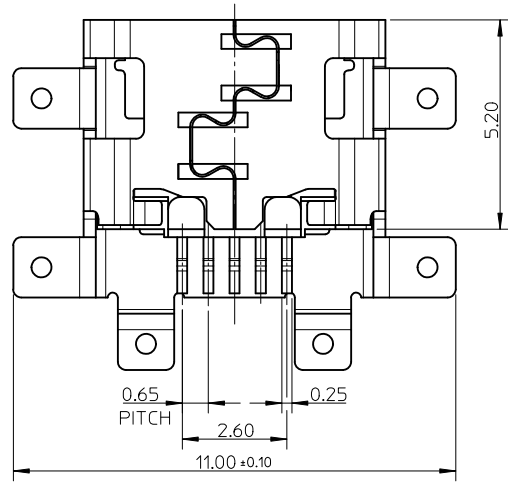
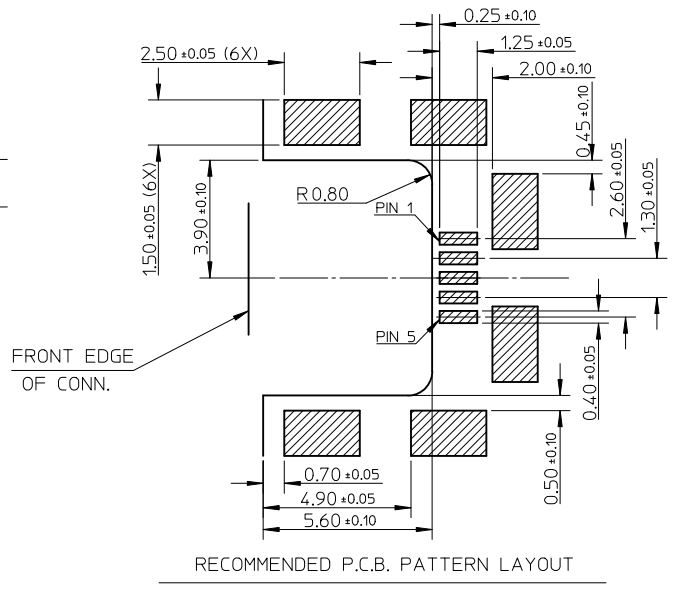
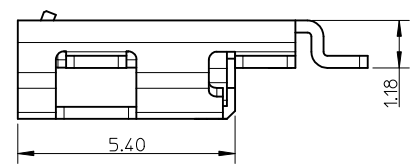
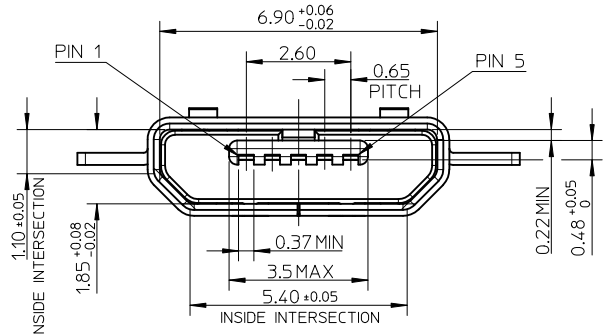


10 9 8 7 6 5 4 3 2 1



- NOTES:
- MATERIAL:  
HOUSING: LCP, BLACK, UL94V-0,  
TERMINAL: COPPER ALLOY, THICKNESS: 0.15mm,  
SHELL: STAINLESS STEEL, THICKNESS: 0.30mm.
  - PLATING:  
TERMINAL:  
CONTACT AREA: GOLD FLASH OVER MINIMUM 0.75 MICRON Pd/Ni;  
SOLDER TAIL AREA: GOLD FLASH;  
UNDER PLATING: NICKEL 2.0 MICRON MINIMUM.  
SHELL: MATTE TIN 3.8 MICRON MINIMUM,  
UNDER PLATING: NICKEL 1.27 MICRON MINIMUM.
  - TAIL & NAIL COPLANARITY 0.08mm MAXIMUM.
  - PRODUCT SPECIFICATION: PS-47642-001.
  - PACKAGING SPECIFICATION: PK-47491-001.
  - COMPLIANT TO RoHS DIRECTIVE 2002/95/EC AND ELV 2000/53/EC.



NEW RELEASE EC NO: SH2012-0399 DRWN:XQZHANG 2012/05/11 CHKD:XQZHANG 2012/06/04 APPR:AYIN 2012/06/11	QUALITY SYMBOLS ▽F=0 ▽F=0 ▽F=0	GENERAL TOLERANCES (UNLESS SPECIFIED)		DIMENSION STYLE MM ONLY		SCALE 8:1	DESIGN UNITS METRIC	THIRD ANGLE PROJECTION		
			mm	INCH	DRAWN BY XQZHANG	DATE 2012/05/16	TITLE MICRO USB B REC. MIDDLE MOUNT ASS'Y FLANGELESS TYPE			
		4 PLACES	± ---	± ---	CHECKED BY XQZHANG	DATE 2012/05/16	molex			
		3 PLACES	± ---	± ---	APPROVED BY AYIN	DATE 2012/06/11				
	ANGULAR ± 3 °		MATERIAL NO. 47491-1001	DOCUMENT NO. SD-47491-101		SHEET NO. 1 OF 1				
	DRAFT WHERE APPLICABLE MUST REMAIN WITHIN DIMENSIONS		SIZE A3	THIS DRAWING CONTAINS INFORMATION THAT IS PROPRIETARY TO MOLEX INCORPORATED AND SHOULD NOT BE USED WITHOUT WRITTEN PERMISSION						

9 8 7 6 5 4 3 2 1