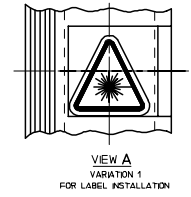
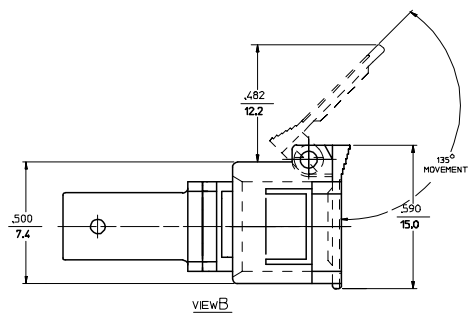
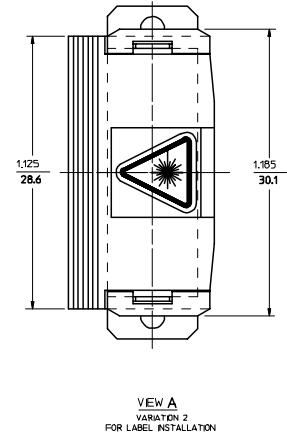
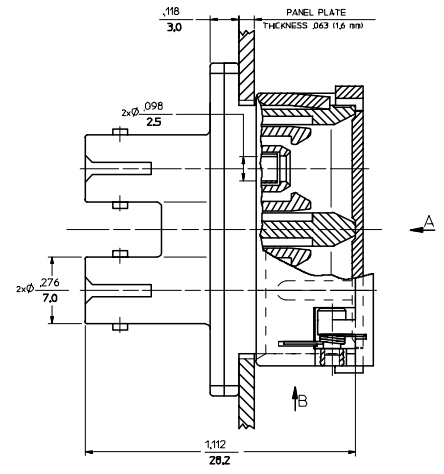
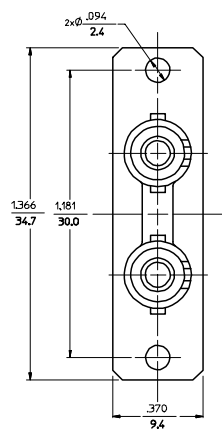
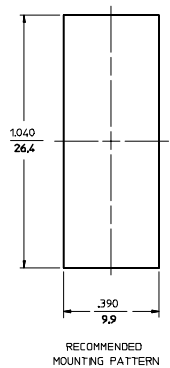


ADAPTER		SC-ST DUPLEX ADAPTER W/O MOUNTING PLATE		SHIELD ASSEMBLY	
P/N	P/N	COLOR	SLEEVE MATERIAL	P/N	COLOR
106166-500	106166-0200	BLUE	2R	106166-0200	BLUE
106167-500	106167-0200		PHOSPHOR BRONZE		
106166-510	106166-0210	BEIGE	2R	106166-0210	BEIGE
106167-510	106167-0210		PHOSPHOR BRONZE		
106166-530	106166-0230	BLACK	2R	106166-0230	BLACK
106167-530	106167-0230		PHOSPHOR BRONZE		



NOTES:
1. LABEL MUST BE INSTALLED AND ORIENTED BY CUSTOMER (SEE VIEW A).
2. DUST CAPS ARE NOT SHOWN, BUT INCLUDED.

ENTER DESCRIPTION EC NO: MF2006-0237 DRAWN: P. BILIN 2005/11/29 CHKD: CHK 2005/11/29 APPR: L. GUMIN 2005/11/29	QUALITY SYMBOLS	GENERAL TOLERANCES (UNLESS SPECIFIED)	DIMENSION STYLE	SCALE	DESIGN UNITS	THIRD ANGLE PROJECTION															
	$\nabla=0$ $\nabla=0$	<table border="1"> <tr> <th></th> <th>mm</th> <th>INCH</th> </tr> <tr> <td>4 PLACES</td> <td>± .15</td> <td>± .005</td> </tr> <tr> <td>3 PLACES</td> <td>± .10</td> <td>± .004</td> </tr> <tr> <td>2 PLACES</td> <td>± .08</td> <td>± .003</td> </tr> <tr> <td>1 PLACE</td> <td>± .05</td> <td>± .002</td> </tr> </table>		mm	INCH	4 PLACES	± .15	± .005	3 PLACES	± .10	± .004	2 PLACES	± .08	± .003	1 PLACE	± .05	± .002	IN/MM	4:1	INCH	
		mm	INCH																		
	4 PLACES	± .15	± .005																		
3 PLACES	± .10	± .004																			
2 PLACES	± .08	± .003																			
1 PLACE	± .05	± .002																			
DESCRIPTION	<table border="1"> <tr> <th>mm</th> <th>INCH</th> </tr> <tr> <td>ANGULAR</td> <td>± 1/2°</td> </tr> </table>	mm	INCH	ANGULAR	± 1/2°	DRAWN BY: RPAC (FIC) DATE: 2005/10/11 CHECKED BY: DATE: APPROVED BY: DATE:	TITLE														
mm	INCH																				
ANGULAR	± 1/2°																				
REV A	DRAFT WHERE APPLICABLE MUST REMAIN WITHIN DIMENSIONS	SIZE D	MATERIAL NO. SEE TABLE	DOCUMENT NO. SD-10616X-15X0	SHEET NO. 1 OF 01																