

A.14: Validé

MASS ± 5% 59.5 g

NOTES

MATERIALS
 SHELL : BLACK POLYAMID
 COUPLING / BACKSHELL O'RING : LUBRICATED RED SILICON
 LOCKING LATCH : STAINLESS STEEL
 BACKSHELL BODY : BLACK POLYAMID
 FLAT SEAL : NBR OR CR
 CABLE GLAND BODY AND NUT : BLACK POLYAMID
 CABLE GLAND SEAL : CR
 CONTACT BODY : BRASS ALLOY
 CONTACT CLIP : COPPER ALLOY
 SCREW : STAINLESS STEEL

PERFORMANCES CHARACTERISTICS

MECHANICAL
 TEMPERATURE CLASS IEC61984/UL1977 -40°C TO 105°C
 DURABILITY IEC61984 500 MATE / UNMATE CYCLES
 SEALING IN MATED CONDITIONS IEC60529 IP68 1BAR DURING 1WEEK
 DIN40050 IP69K
 WITH SEALED CONTACT REF. R*M25* CONTACTS 4
 OPEN FACE SEALING IEC60529 WITH SEALED CONTACT REF. R*M25* CONTACTS 4
 POLLUTION DEGREE IEC61984 4
 CORROSION SALT SPRAY IEC61984 MIN 1000H EXPOSURE
 FLAMMABILITY UL94 INSULATING MATERIAL : VO LEVEL
 SCOOP PROOF

ELECTRICAL
 TOUCH PROOF IEC60529 IP2X
 WITHSTANDING VOLTAGE 2200VAC DURING 1 MIN
 GROUND POSITION FIRST MATE LAST BREAK
 POWER POSITION MARKED "L" AND "N"

NOMINAL CURRENT UL1977 16A WITH AWG14 WIRE / 13A WITH AWG16 WIRE
 IEC61984 16A WITH 2.5MM² WIRE / 13A WITH 1.5MM² WIRE

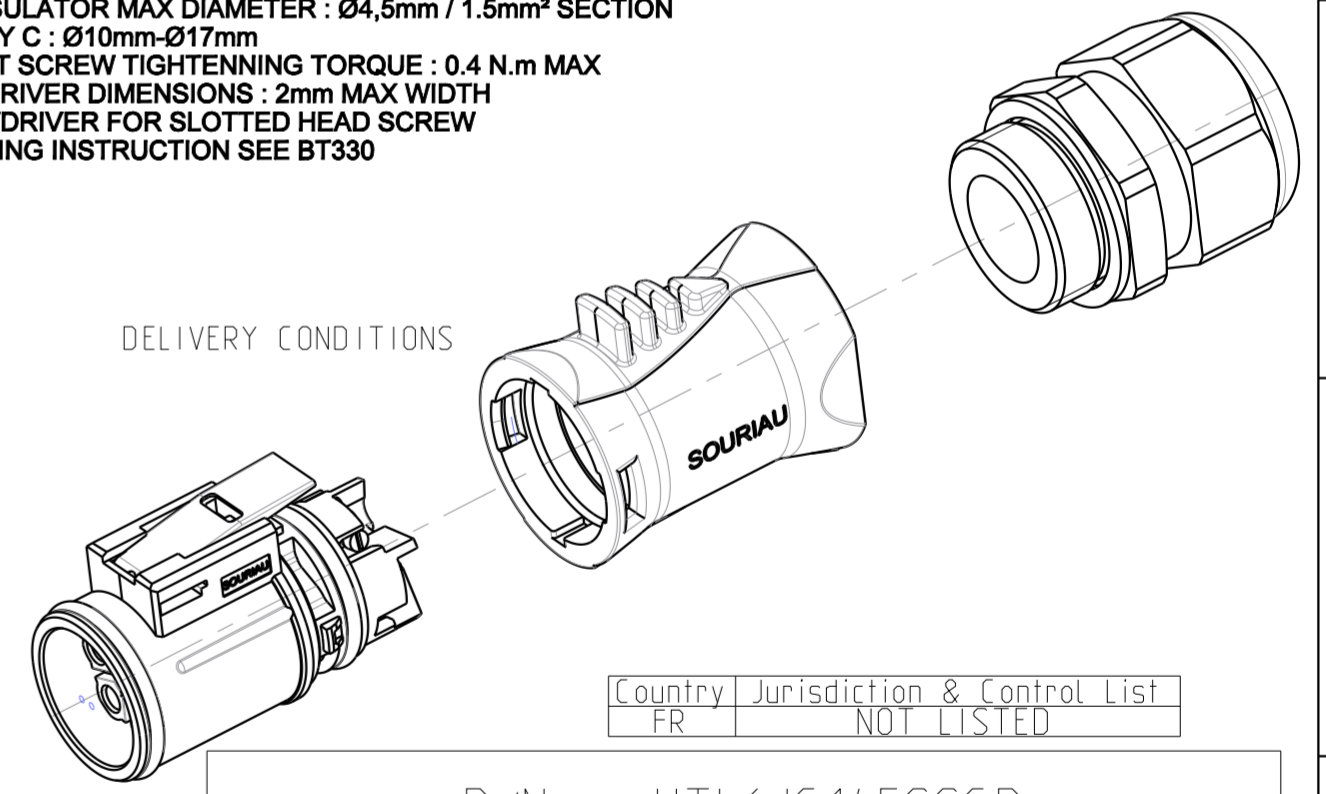
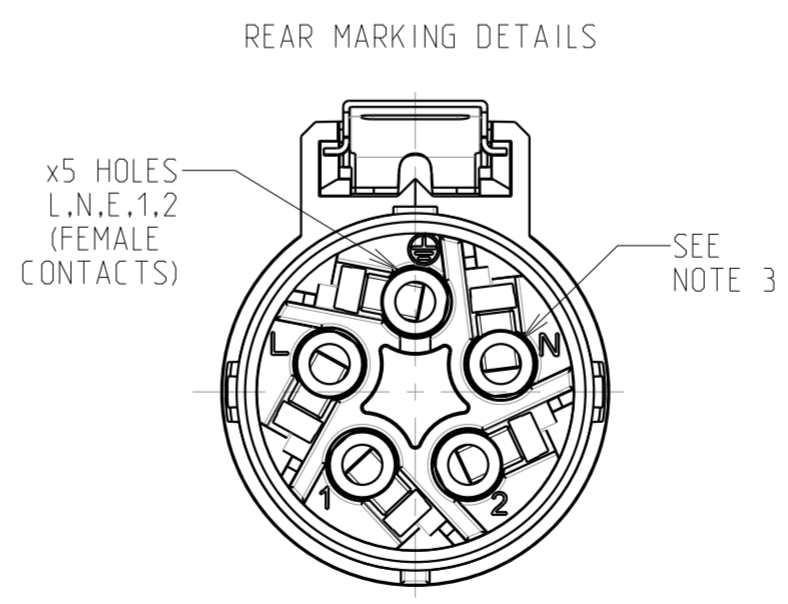
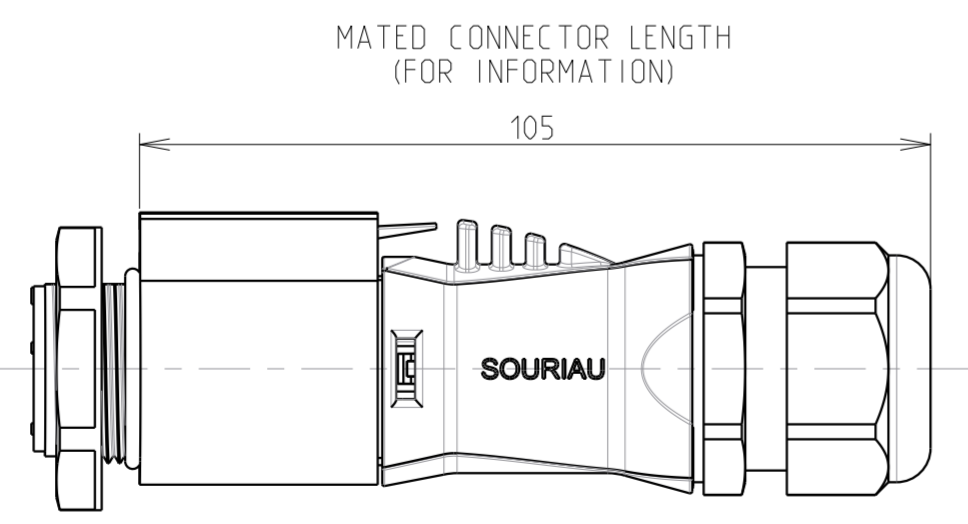
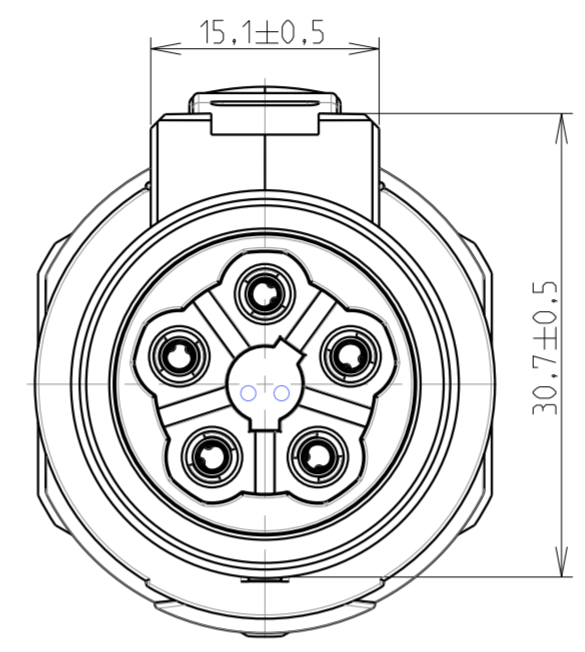
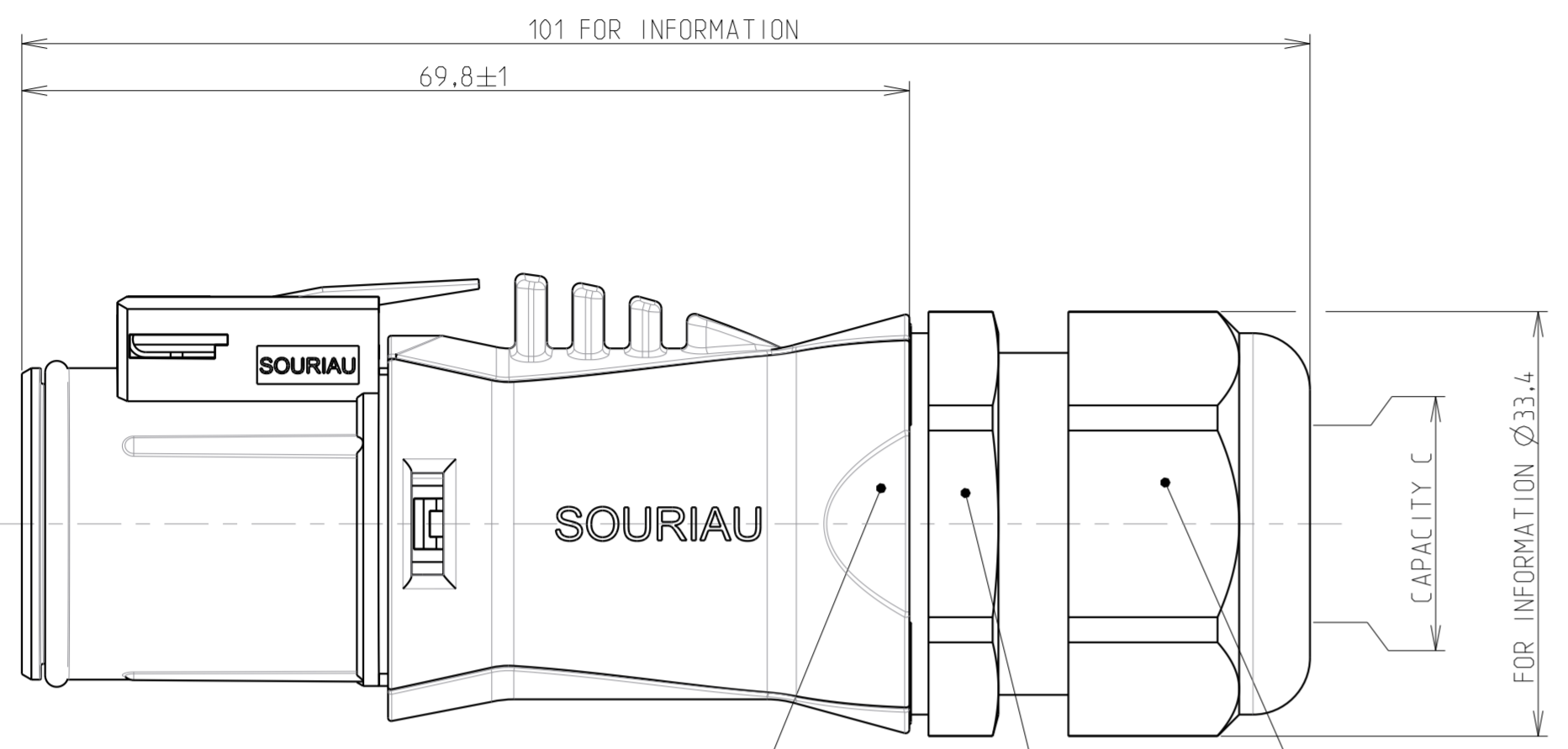
NOMINAL VOLTAGE UL1977 277V
 IEC61984 250VAC 4KV 4 FOR CLASS II EQUIPMENT
 IEC61984 500VAC 6KV 4 FOR CLASS I EQUIPMENT

NOMINAL CURRENT AND VOLTAGE FOR CBC USE UL1977 277V 13A WITH AWG14/16 WIRES FOR CBC USE
 IEC61984 250VAC 13A 4KV 4 FOR CBC USE

CONTROL POSITION MARKED "1" AND "2" 48V , 1A, FREQUENCY UP TO 100 Mhz

REGULATION : ROHS COMPLIANT

- COUNTERPART REFERENCE UTL RECEPTACLE
- CONNECTORS ARE DELIVERED AS PRE-ASSEMBLED KIT
- CONTACTS ARE INCLUDED INTO THE KIT
- UNIT IN MM
- WIRE INSULATOR MAX DIAMETER : Ø4,5mm / 1.5mm² SECTION
- CAPACITY C : Ø10mm-Ø17mm
- CONTACT SCREW TIGHTENING TORQUE : 0.4 N.m MAX
- SCREWDRIVER DIMENSIONS : 2mm MAX WIDTH TIP SCREWDRIVER FOR SLOTTED HEAD SCREW
- FOR WIRING INSTRUCTION SEE BT330



Country Jurisdiction & Control List
 FR NOT LISTED

P/N : UTL6JC145SSCR

A	24/01/2017	First edition	24328PR
ISS	DATE	Latest modification - by:	MOD N°
Designed by:	R.M.	Date: 1 24/01/2017	CUSTOMER DRAWING
TITLE	FEMALE PLUG TYPE 6 SIZE 14 LAYOUT 5 SCREW TIGHTENING CTS UTL CONNECTOR		
Scale	1/1	General linear Tolerances: ± 0.2	NPRDS / PROJECT BE151304A
SOURIAU WWW.SOURIAU.COM		This document is the property of SOURIAU It must not be reproduced or communicated without permission	
FORMAT	SOURIAU DRG N° UTL1-0081A-C		SHEET 1 / 1