

DWG. NO.
S100043

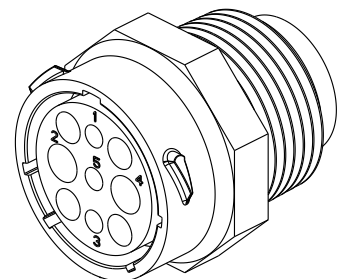
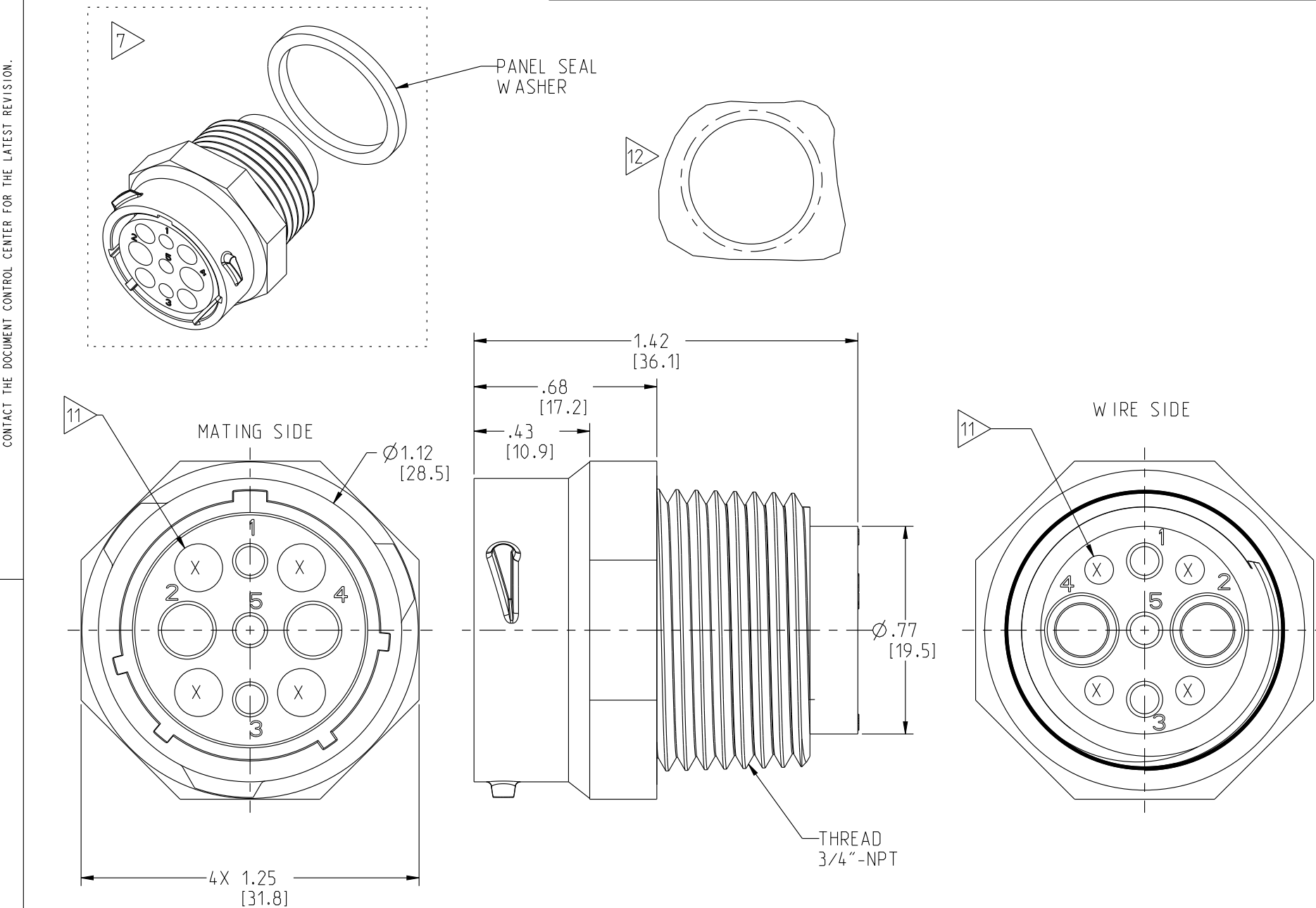
CIRCUIT	USE	MAXIMUM CURRENT (AMP)	MAXIMUM VOLTAGE (VAC)	MAXIMUM WIRE Ø (mm)
2,4	POWER	44	600	6.3
1,3,5	SIGNAL	13	250	3.3

NOTES:

- MATES WITH UTS6__18X2M3P.
- CIRCUITS 2 & 4 USE Ø3.6mm TRIM TRIO SOCKET CONTACTS ORDERED SEPARATELY.
- CIRCUITS 1, 3, AND 5 USE Ø1.6mm TRIM TRIO SOCKET CONTACTS ORDERED SEPARATELY.
- MATERIALS: ALL RoHS COMPLIANT
 - RECEPTACLE SHELL: POLYAMIDE UL94VO, COLOR-BLACK.
 - WASHER: RUBBER
- MECHANICAL / ENVIRONMENTAL PERFORMANCE
 - OPERATING TEMPERATURE: -40° TO +105 °C.
 - CORROSION: SALT SPRAY, 500 HOURS.
 - DURABILITY: 250 MATE-UNMATE CYCLES.
 - VIBRATION: SINUSOIDAL PER CEI 60512-4; 10-TO-2,000 Hz.
 - THERMAL SHOCK: 5 CYCLES X 30-MINUTES: -40° TO +105 °C.
 - SEALING IN MATED CONDITION: IEC 60529-IP68: 10M WATER, 1-WEEK; DYNAMIC-IP69K: HIGH-PRESSURE WATER, DIN 40050.
- ELECTRICAL PERFORMANCE:
 - DIELECTRIC WITHSTANDING VOLTAGE / INSULATION RESISTANCE 2200 VRMS MAX. BETWEEN CIRCUITS 2,4 / 5000 M Ohm MIN. @ 500 VDC. 1500 VRMS MAX. BETWEEN CIRCUITS 1,3,5 / 5000 M Ohm MIN. @ 500 VDC.
- PACKAGED WITH SEALING WASHER
SOURIAU LABEL INCLUDES PART NO., QTY. & UL INFORMATION.
- UL 1977 RECOGNIZED
- POWER CONTACT RESISTANCE: <= 0.9 Milli Ohm.
SIGNAL CONTACT RESISTANCE <=5 Milli Ohm.
- U.S. PATENT 7,955,125.
- MOLDING VOID CORES ARE INDICATED "X".
TYPICAL USE: OUTLET BOX.
RECOMMENDED TOOLS; 8 POINT 1 1/4 SOCKET: MAX. TORQUE 66 IN-LBS.
- FOR THREADED INSTALLATION:
TAP DRILL 59/64 OR .922 IN (23.42mm) 3/4-NPT INTERNAL THREADS.
FOR JAMNUT INSTALLATION:
SECURE WITH 3/4-NPT NUT: THRU-HOLE 1.05 INCH (26.7mm)

THIS DRAWING IS A CONTROLLED DOCUMENT FOR SOURIAU USA, INC. IT IS SUBJECT TO CHANGE WITHOUT NOTIFICATION. CONTACT THE DOCUMENT CONTROL CENTER FOR THE LATEST REVISION.

THE INFORMATION CONTAINED IN THIS DRAWING IS CONFIDENTIAL AND MAY NOT BE DISCLOSED WITHOUT WRITTEN CONSENT FROM SOURIAU USA, INC.



SCALE 1:1

Client Drawing Approval		Authorized Signature & Date
X	Option	
	Approved with no Exceptions	
	Approved with Exceptions Noted	
	Revision/Resubmission Required	Company Name
	Rejected	
The signature above indicates the client's authorized representative has reviewed, understands, and concurs with the requirements defined herein. If no signature is provided, placement of a purchase order by the client is considered drawing acceptance.		

LINEAR MEASURE:	
THIRD ANGLE PROJECTION	
TOLERANCES UNLESS OTHERWISE SPECIFIED	
No. OF PLACES	INCH [mm]
ONE PLACE	±.1 [±3]
TWO PLACES	±0.02 [±.5]
THREE PLACES	±0.010 [±.25]
ANGLES ±1°	

DRAWING TITLE			
UTS RECEPTACLE, SIZE-18, SOCKET, NPT THREADS			
CAT NO. UTS718X2M3SNPT			
CAGE NO: 09922		SIZE: B	
CUSTOMER		SOURIAU	
INTERPRET THIS DRAWING IN ACCORDANCE WITH ASME Y14.5M - 1994.			
APPROVAL		APPROVAL	
DRAWN: RSK 02-14-13		DRAWN: RSK 02-14-13	
CHKD: NPP 02-14-13		CHKD: NPP 02-14-13	
DSGN: NPP 02-14-13		DSGN: NPP 02-14-13	
MFG: DH 02-14-13		MFG: DH 02-14-13	
QC: BB 02-14-13		QC: BB 02-14-13	
DRAWING SCALE: 2:1			
DRAWING NO. S100043		REV. A	
1 OF 1			