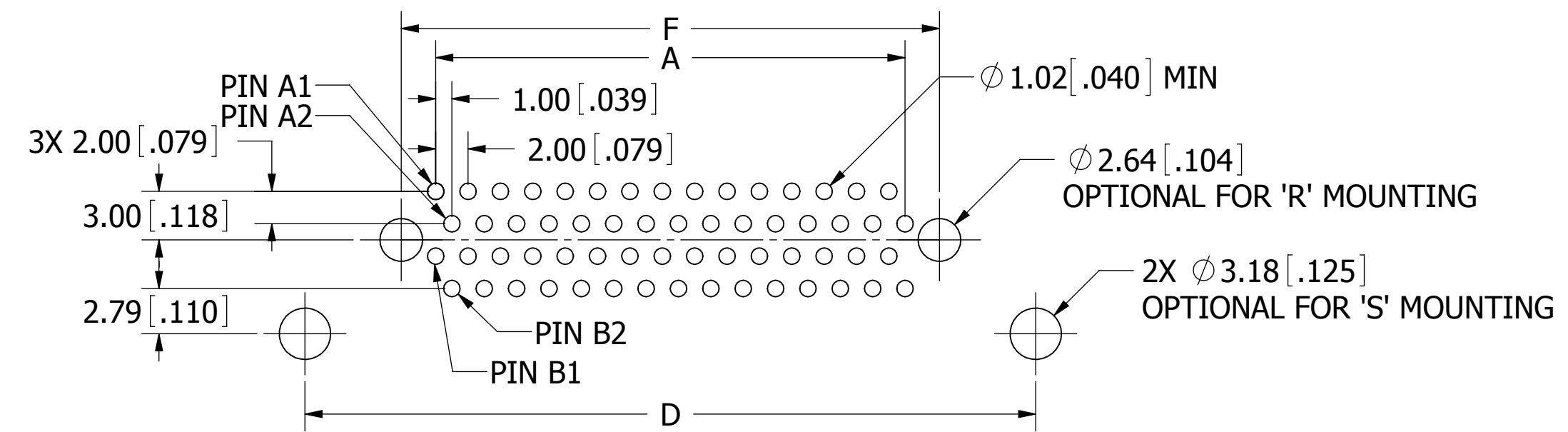
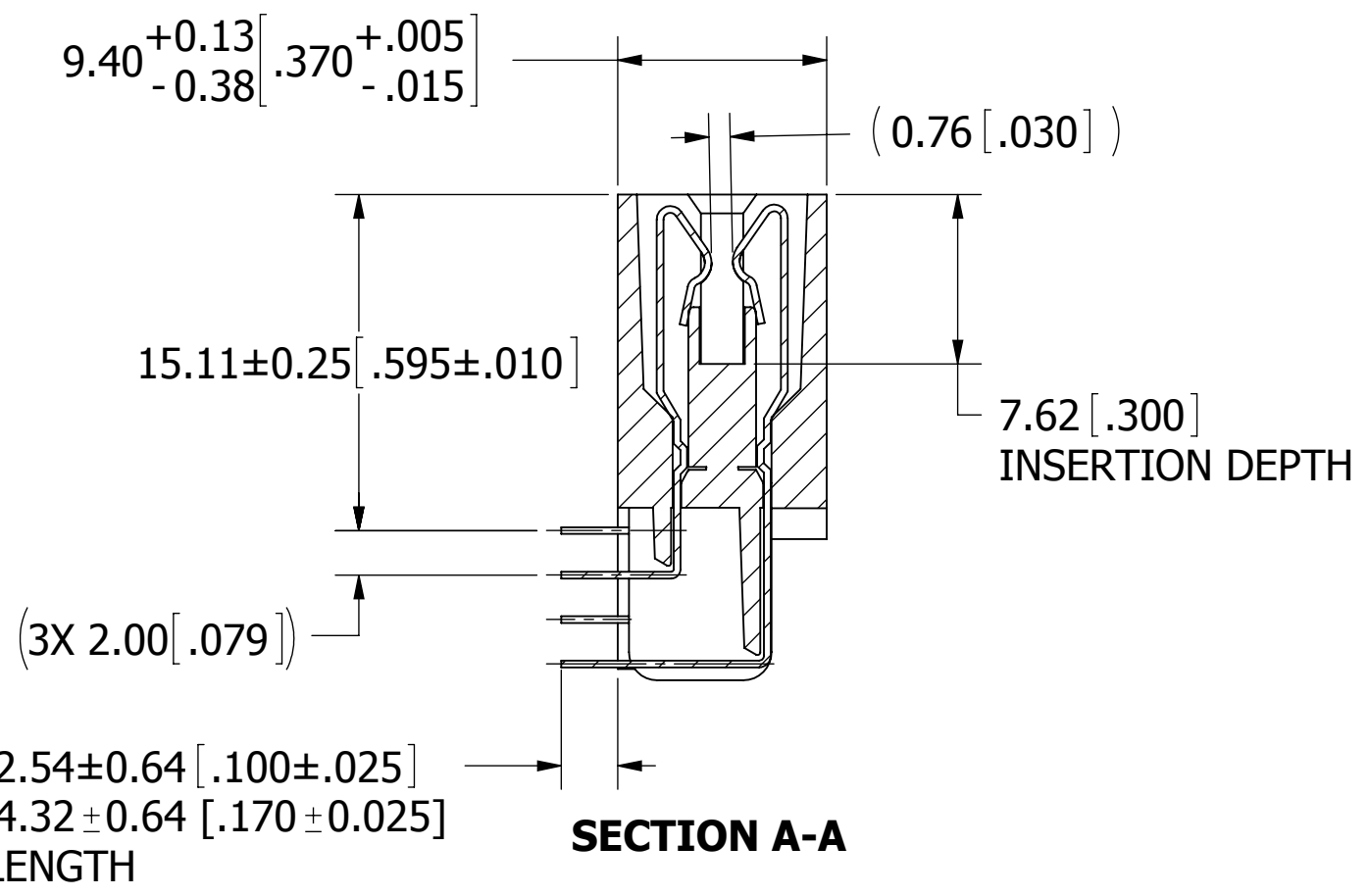
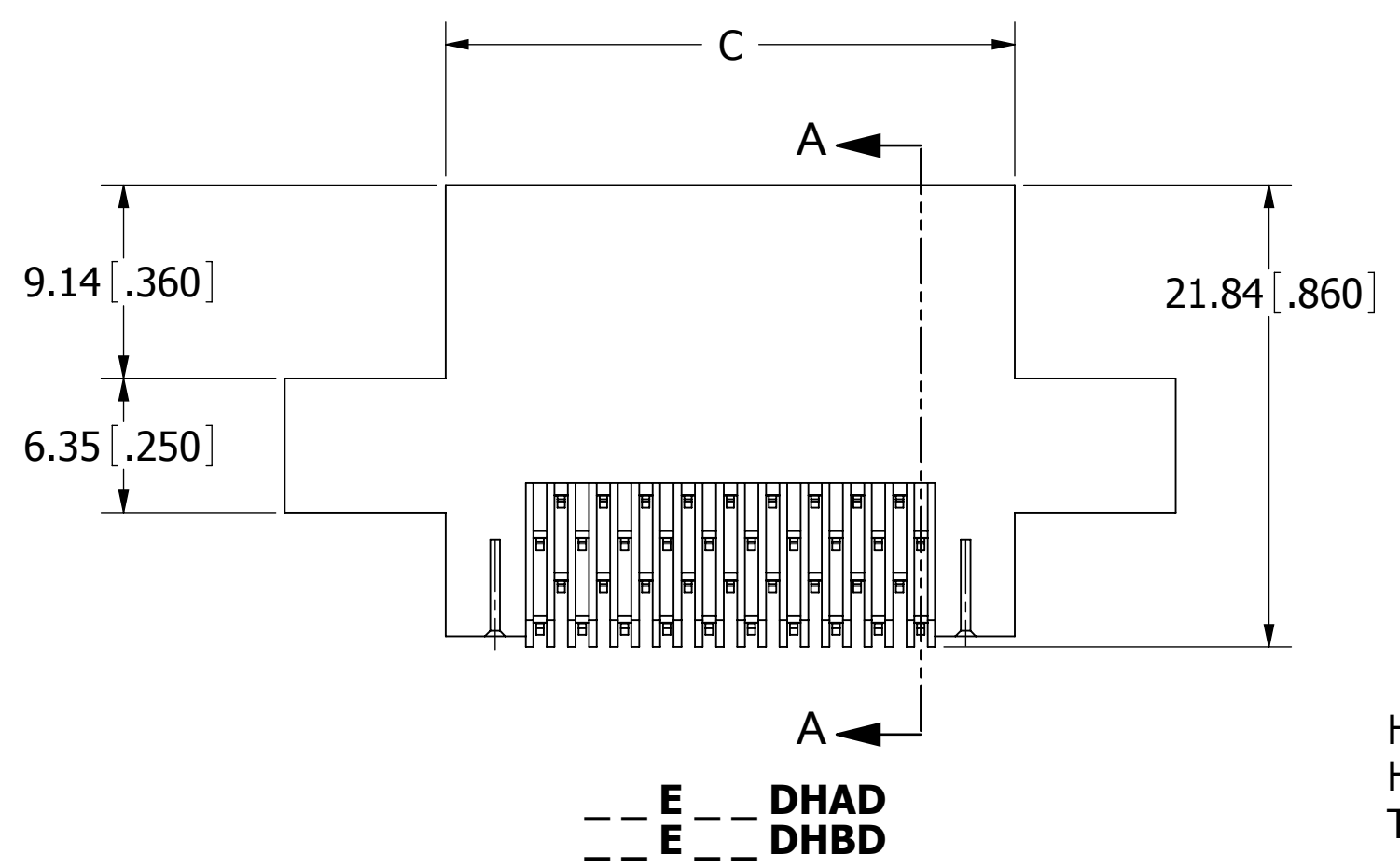
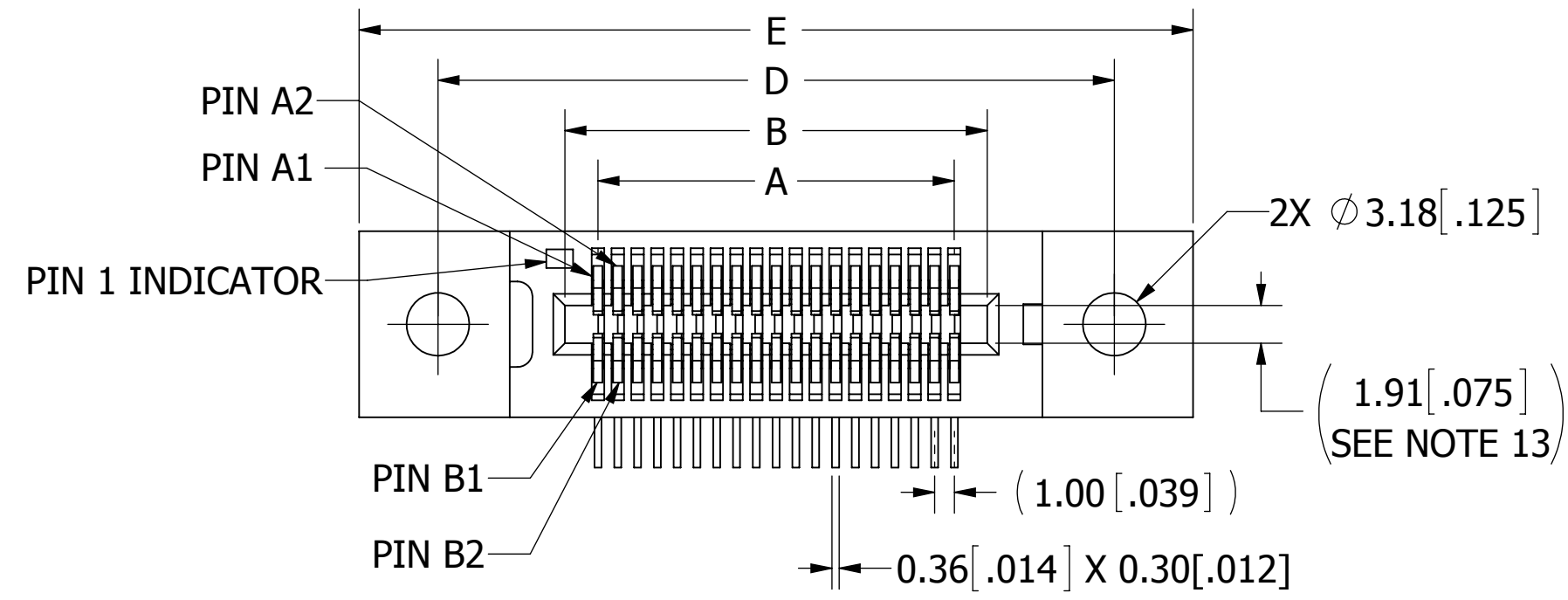


REVISIONS				
REV.	ECO NO.	DESCRIPTION	DATE	BY
K	2966	FIX INCHES[MM] TO MM[INCHES] IN SHEET FORMAT, UPDATE DWG FORMAT	5/27/2014	JHSU
L	3277	UPDATE TOL OF BOARD LOCK HEIGHT DIM TO $\pm 0.25\text{mm}$ (WAS $\pm 0.13\text{mm}$ ) & UPDATE BOM ON PRODUCTION COPY	8/7/2015	MG



- NOTES:**
1. INSULATOR MATERIAL: SEE PART NUMBER CODING
  2. CONTACT MATERIAL: SEE PART NUMBER CODING
  3. PLATING: .SEE PART NUMBER CODING
  4. OPERATING TEMPERATURE: SEE PART NUMBER CODING
  5. PROCESSING TEMP: SEE PART NUMBER CODING
  6. UL FLAMMABILITY RATING: 94V-0
  7. OPERATING VOLTAGE: 225 VAC
  8. CURRENT RATING: 1 AMP
  9. CONTACT RESISTANCE: 30 MILLI OHMS MAX
  10. INSULATION RESISTANCE: 5000 MEGA OHMS
  11. DURABILITY: 500 CYCLES MIN
  12. CONNECTOR IDENTIFICATION: THE PART SHALL BE MARKED WITH A PART NUMBER AND LOT CODE
  13. BOARD THICKNESS ACCOMMODATED:  $1.57 \pm 0.20 [.062 \pm .008]$
  14. INSERTION FORCE: 6 OZ MAX PER CONTACT PAIR WHEN USING A  $1.57 [.062]$  TEST BLADE
  15. WITHDRAWAL FORCE: 1/2 OZ MIN PER CONTACT PAIR USING  $1.57 [.062]$  PCB

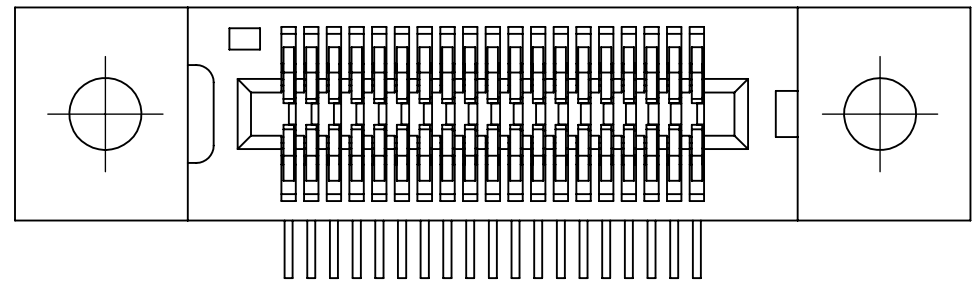


UNLESS OTHERWISE SPECIFIED:  
DIMENSIONS ARE IN MM [INCHES]

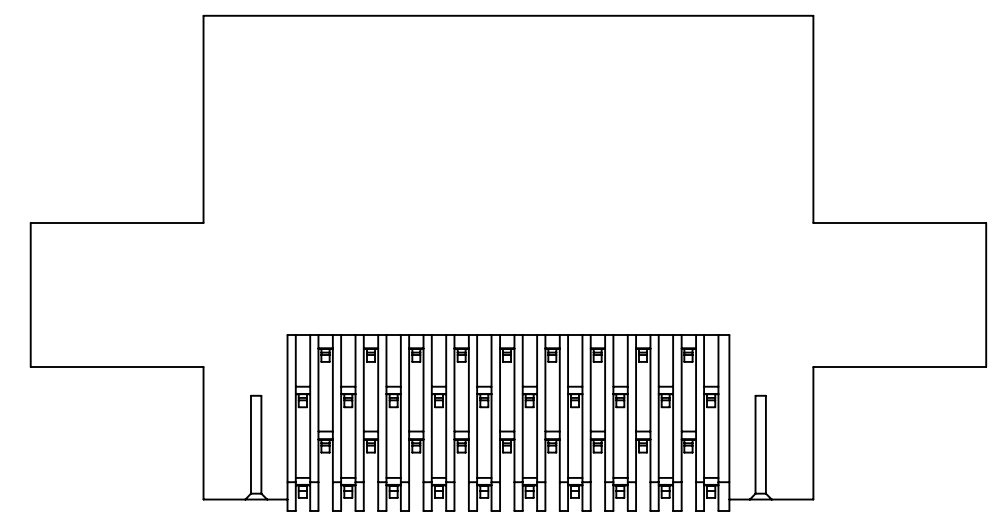
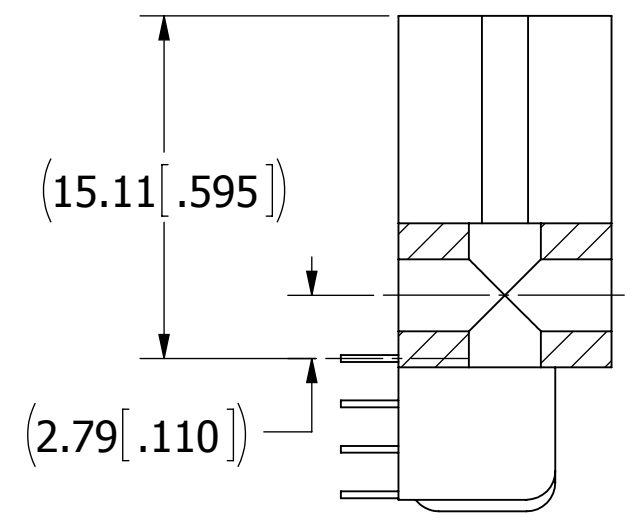
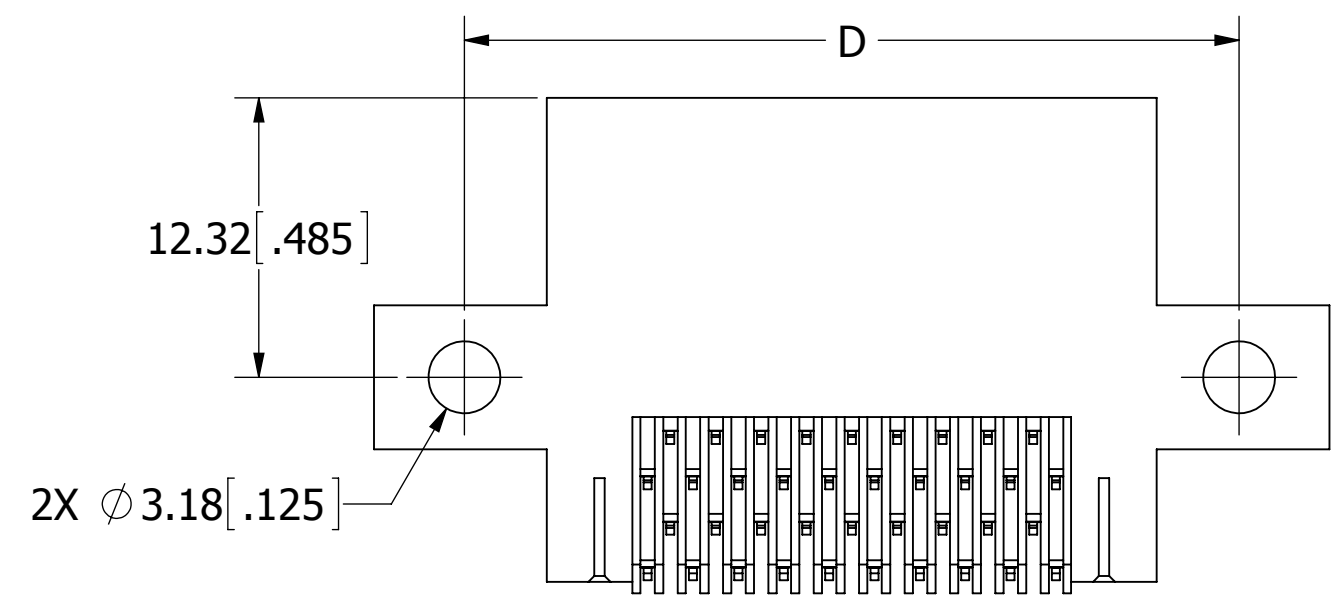
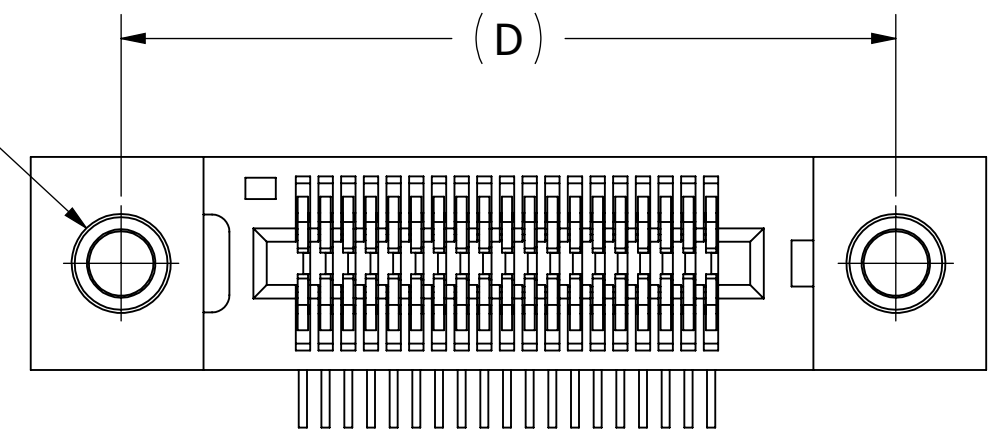
TOLERANCES:  
ANGULAR:  $\pm 1^\circ$   
DECIMALS  
.X =  $\pm .5 [.02]$   
.XX =  $\pm .13 [.005]$   
.XXX =  $\pm .013 [.0005]$

DRAWN	DATE	NAME		
	11/24/03	JFW		
<small>THE INFORMATION HEREIN CONTAINS PROPRIETARY INFORMATION OF SULLINS ELECTRONICS AND IS NOT TO BE REPRODUCED, USED OR DISCLOSED TO OTHERS FOR ANY PURPOSE EXCEPT AS SPECIFICALLY AUTHORIZED IN WRITING BY AN OFFICER OF SULLINS ELECTRONICS.</small>			TITLE <b>EDGECARD, 1MM CC, RA</b>	
PART NUMBER			<b>__ E __ DHA (HB) __</b>	
SIZE	CAGE CODE	DWG. NO.	REV	
C	54453	C10093	L	
SCALE: 3:1			SHEET 1 OF 3	

**CUSTOMER COPY**

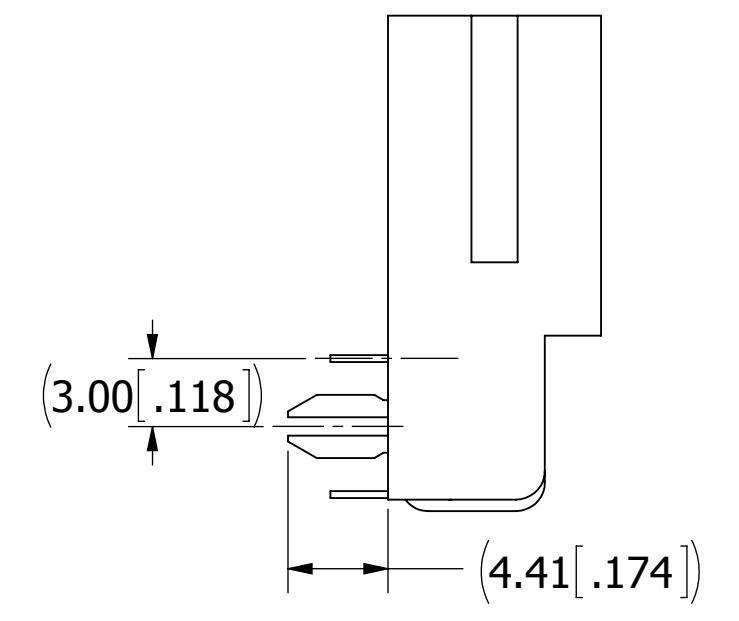
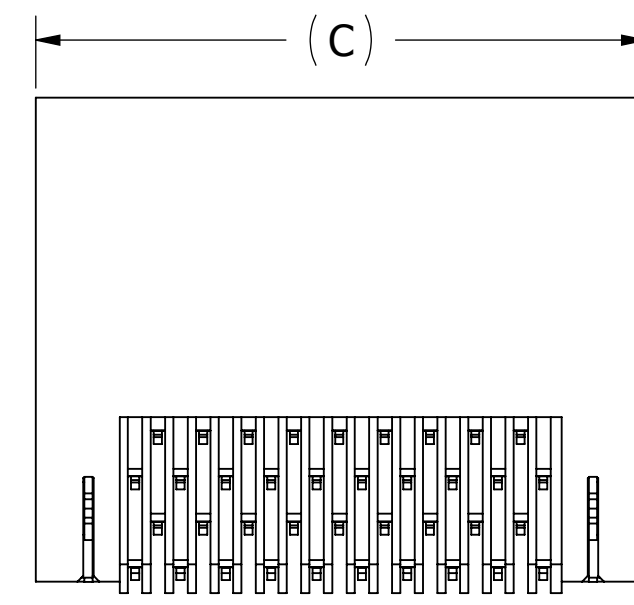
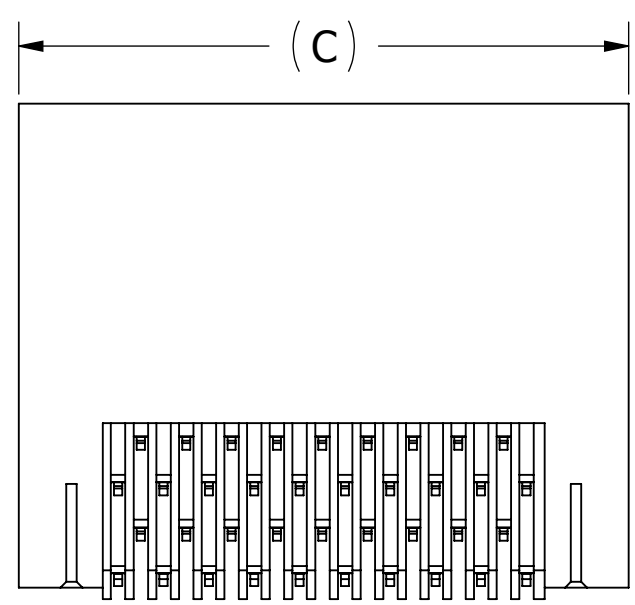
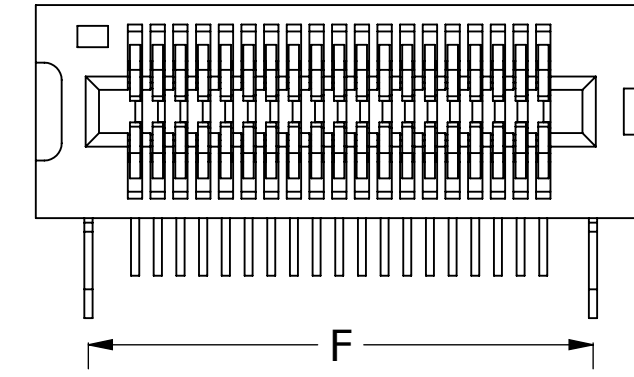
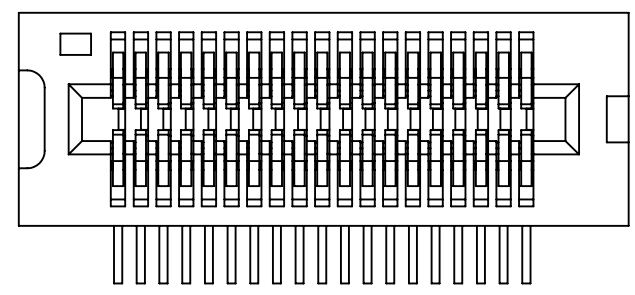


2X #4-40 THREADED INSERT



--- E --- DHAS  
--- E --- DHBS

--- E --- DHAT  
--- E --- DHBT



--- E --- DHAN  
--- E --- DHBN

--- E --- DHAR  
--- E --- DHBR

# CUSTOMER COPY



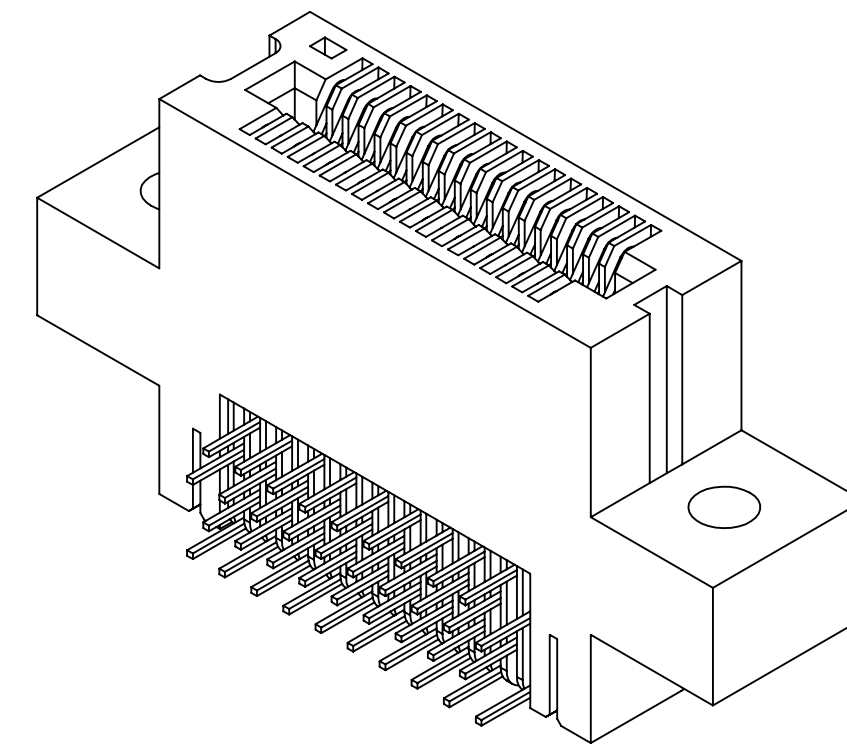
UNLESS OTHERWISE SPECIFIED:  
DIMENSIONS ARE IN MM [INCHES]

TOLERANCES:  
ANGULAR: ± 1°  
DECIMALS  
.X = ± .5 [.02]  
.XX = ± .13 [.005]  
.XXX = ± .013 [.0005]

DRAWN	DATE	NAME
	11/24/03	JFW
<small>THE INFORMATION HEREIN CONTAINS PROPRIETARY INFORMATION OF SULLINS ELECTRONICS AND IS NOT TO BE REPRODUCED, USED OR DISCLOSED TO OTHERS FOR ANY PURPOSE EXCEPT AS SPECIFICALLY AUTHORIZED IN WRITING BY AN OFFICER OF SULLINS ELECTRONICS.</small>		

TITLE EDGE CARD, 1MM CC, RA		
PART NUMBER --- E --- DHA (HB) ---		
SIZE C	CAGE CODE 54453	DWG. NO. C10093
SCALE: 3:1	SHEET 2 OF 3	

PART NUMBER	POS.	A±0.13[±.005]		B±0.13[±.005]		C±.38[±.015]		D±0.25[±.010]		E±0.51[±.020]		F±0.25[±.010]	
		INCHES	MM	INCHES	MM	INCHES	MM	INCHES	MM	INCHES	MM	INCHES	MM
__E02DH__	2	0.039	1.00	0.170	4.32	0.389	9.89	0.675	17.15	0.989	25.13	0.207	5.25
__E03DH__	3	0.079	2.00	0.210	5.32	0.429	10.89	0.715	18.15	1.029	26.13	0.246	6.25
__E04DH__	4	0.118	3.00	0.249	6.32	0.468	11.89	0.754	19.15	1.068	27.13	0.285	7.25
__E05DH__	5	0.157	4.00	0.288	7.32	0.507	12.89	0.793	20.15	1.107	28.13	0.325	8.25
__E06DH__	6	0.197	5.00	0.328	8.32	0.547	13.89	0.833	21.15	1.147	29.13	0.364	9.25
__E07DH__	7	0.236	6.00	0.367	9.32	0.586	14.89	0.872	22.15	1.186	30.13	0.403	10.25
__E08DH__	8	0.276	7.00	0.407	10.32	0.626	15.89	0.912	23.15	1.226	31.13	0.443	11.25
__E09DH__	9	0.315	8.00	0.446	11.32	0.665	16.89	0.951	24.15	1.265	32.13	0.482	12.25
__E10DH__	10	0.354	9.00	0.485	12.32	0.704	17.89	0.990	25.15	1.304	33.13	0.522	13.25
__E11DH__	11	0.394	10.00	0.525	13.32	0.744	18.89	1.030	26.15	1.344	34.13	0.561	14.25
__E12DH__	12	0.433	11.00	0.564	14.32	0.783	19.89	1.069	27.15	1.383	35.13	0.600	15.25
__E13DH__	13	0.472	12.00	0.603	15.32	0.822	20.89	1.108	28.15	1.422	36.13	0.640	16.25
__E14DH__	14	0.512	13.00	0.643	16.32	0.862	21.89	1.148	29.15	1.462	37.13	0.679	17.25
__E15DH__	15	0.551	14.00	0.682	17.32	0.901	22.89	1.187	30.15	1.501	38.13	0.718	18.25
__E16DH__	16	0.591	15.00	0.722	18.32	0.941	23.89	1.227	31.15	1.541	39.13	0.758	19.25
__E17DH__	17	0.630	16.00	0.761	19.32	0.980	24.89	1.266	32.15	1.580	40.13	0.797	20.25
__E18DH__	18	0.669	17.00	0.800	20.32	1.019	25.89	1.305	33.15	1.619	41.13	0.837	21.25
__E19DH__	19	0.709	18.00	0.840	21.32	1.059	26.89	1.345	34.15	1.659	42.13	0.876	22.25
__E20DH__	20	0.748	19.00	0.879	22.32	1.098	27.89	1.384	35.15	1.698	43.13	0.915	23.25
__E21DH__	21	0.787	20.00	0.918	23.32	1.137	28.89	1.423	36.15	1.737	44.13	0.955	24.25
__E22DH__	22	0.827	21.00	0.958	24.32	1.177	29.89	1.463	37.15	1.777	45.13	0.994	25.25
__E23DH__	23	0.866	22.00	0.997	25.32	1.216	30.89	1.502	38.15	1.816	46.13	1.033	26.25
__E24DH__	24	0.906	23.00	1.037	26.32	1.256	31.89	1.542	39.15	1.856	47.13	1.073	27.25
__E25DH__	25	0.945	24.00	1.076	27.32	1.295	32.89	1.581	40.15	1.895	48.13	1.112	28.25
__E26DH__	26	0.984	25.00	1.115	28.32	1.334	33.89	1.620	41.15	1.934	49.13	1.151	29.25
__E27DH__	27	1.024	26.00	1.155	29.32	1.374	34.89	1.660	42.15	1.974	50.13	1.191	30.25
__E28DH__	28	1.063	27.00	1.194	30.32	1.413	35.89	1.699	43.15	2.013	51.13	1.230	31.25
__E29DH__	29	1.102	28.00	1.233	31.32	1.452	36.89	1.738	44.15	2.052	52.13	1.270	32.25
__E30DH__	30	1.142	29.00	1.273	32.32	1.492	37.89	1.778	45.15	2.092	53.13	1.309	33.25
__E31DH__	31	1.181	30.00	1.312	33.32	1.531	38.89	1.817	46.15	2.131	54.13	1.348	34.25
__E32DH__	32	1.220	31.00	1.351	34.32	1.570	39.89	1.856	47.15	2.170	55.13	1.388	35.25
__E33DH__	33	1.26	32.00	1.391	35.32	1.610	40.89	1.896	48.15	2.210	56.13	1.427	36.25
__E34DH__	34	1.299	33.00	1.430	36.32	1.649	41.89	1.935	49.15	2.249	57.13	1.466	37.25
__E35DH__	35	1.339	34.00	1.470	37.32	1.689	42.89	1.975	50.15	2.289	58.13	1.506	38.25
__E36DH__	36	1.378	35.00	1.509	38.32	1.728	43.89	2.014	51.15	2.328	59.13	1.545	39.25
__E37DH__	37	1.417	36.00	1.548	39.32	1.767	44.89	2.053	52.15	2.367	60.13	1.585	40.25
__E38DH__	38	1.457	37.00	1.588	40.32	1.807	45.89	2.093	53.15	2.407	61.13	1.624	41.25
__E39DH__	39	1.496	38.00	1.627	41.32	1.846	46.89	2.132	54.15	2.446	62.13	1.663	42.25
__E40DH__	40	1.535	39.00	1.666	42.32	1.885	47.89	2.171	55.15	2.485	63.13	1.703	43.25
__E41DH__	41	1.575	40.00	1.706	43.32	1.925	48.89	2.211	56.15	2.525	64.13	1.742	44.25
__E42DH__	42	1.614	41.00	1.745	44.32	1.964	49.89	2.250	57.15	2.564	65.13	1.781	45.25
__E43DH__	43	1.654	42.00	1.785	45.32	2.004	50.89	2.290	58.15	2.604	66.13	1.821	46.25
__E44DH__	44	1.693	43.00	1.824	46.32	2.043	51.89	2.329	59.15	2.643	67.13	1.860	47.25
__E45DH__	45	1.732	44.00	1.863	47.32	2.082	52.89	2.368	60.15	2.682	68.13	1.900	48.25
__E46DH__	46	1.772	45.00	1.903	48.32	2.122	53.89	2.408	61.15	2.722	69.13	1.939	49.25
__E47DH__	47	1.811	46.00	1.942	49.32	2.161	54.89	2.447	62.15	2.761	70.13	1.978	50.25
__E48DH__	48	1.85	47.00	1.981	50.32	2.200	55.89	2.486	63.15	2.800	71.13	2.018	51.25
__E49DH__	49	1.89	48.00	2.021	51.32	2.240	56.89	2.526	64.15	2.840	72.13	2.057	52.25
__E50DH__	50	1.929	49.00	2.060	52.32	2.279	57.89	2.565	65.15	2.879	73.13	2.096	53.25



**PART NUMBER CODING**

**MATERIAL (INSULATOR/CONTACT)**

- G = PA9T/PHOSPHOR BRONZE**  
OPERATING TEMP: -65°C TO +125°C  
PROCESSING TEMP: 260°C MAX FOR 20 SECONDS
- R = PPS/PHOSPHOR BRONZE**  
OPERATING TEMP: -65°C TO +125°C  
PROCESSING TEMP: 260°C MAX FOR 20 SECONDS
- J = PA9T/BERYLLIUM COPPER**  
OPERATING TEMP: -65°C TO +150°C  
PROCESSING TEMP: 260°C MAX FOR 20 SECONDS
- A = PPS/BERYLLIUM COPPER**  
OPERATING TEMP: -65°C TO +150°C  
PROCESSING TEMP: 260°C MAX FOR 20 SECONDS  
(CONSULT FACTORY FOR OTHER MATERIALS)

**MOUNTING STYLE**

- D = FLUSH MOUNTING
- N = NO MOUNTING EARS
- T = FLUSH MTG. WITH THRD INSERT
- R = BOARD LOCKS
- S = SIDE MOUNTING

**TERMINATION TYPE**

- HA = .100"[2.54] TAIL LENGTH
- HB = .170"[4.32] TAIL LENGTH

**NUMBER OF POSITIONS**  
(CONTACTS PER ROW)

**PLATING**

- ALL PLATINGS HAVE .000050" NICKEL UNDERPLATE
- |                   |                          |
|-------------------|--------------------------|
| CONTACT SURFACE   | TERMINATION              |
| B = .000010" GOLD | .000100" PURE TIN, MATTE |
| C = .000030" GOLD | .000100" PURE TIN, MATTE |

**CUSTOMER COPY**



UNLESS OTHERWISE SPECIFIED: DIMENSIONS ARE IN MM [INCHES]		DRAWN	DATE	NAME	
			11/24/03	JFW	
TOLERANCES: ANGULAR: ± 1° DECIMALS .X = ± .5 [.02] .XX = ± .13 [.005] .XXX = ± .013 [.0005]					<small>THE INFORMATION HEREIN CONTAINS PROPRIETARY INFORMATION OF SULLINS ELECTRONICS AND IS NOT TO BE REPRODUCED, USED OR DISCLOSED TO OTHERS FOR ANY PURPOSE EXCEPT AS SPECIFICALLY AUTHORIZED IN WRITING BY AN OFFICER OF SULLINS ELECTRONICS.</small>
					TITLE
					EDGE CARD, 1MM CC, RA
					PART NUMBER
					__E__DHA (HB)_
SIZE	CAGE CODE	DWG. NO.		REV	
C	54453	C10093		L	
SCALE: 3:1					SHEET 3 OF 3