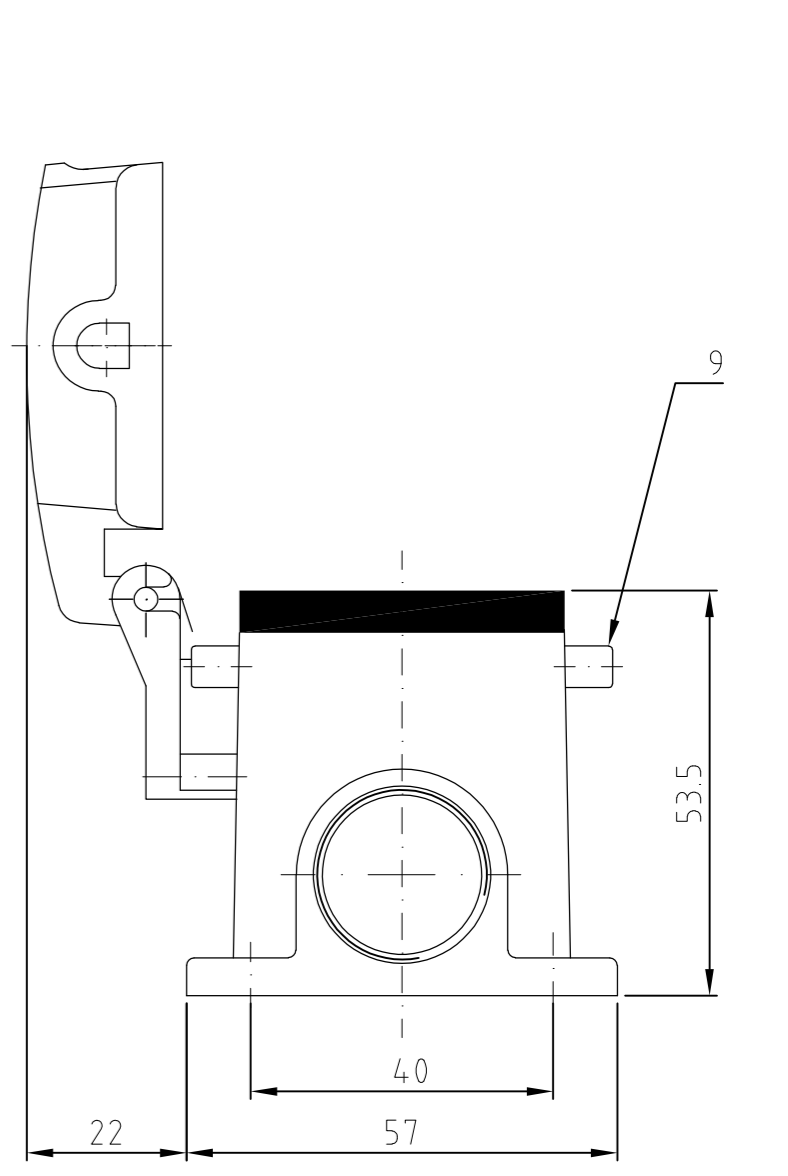
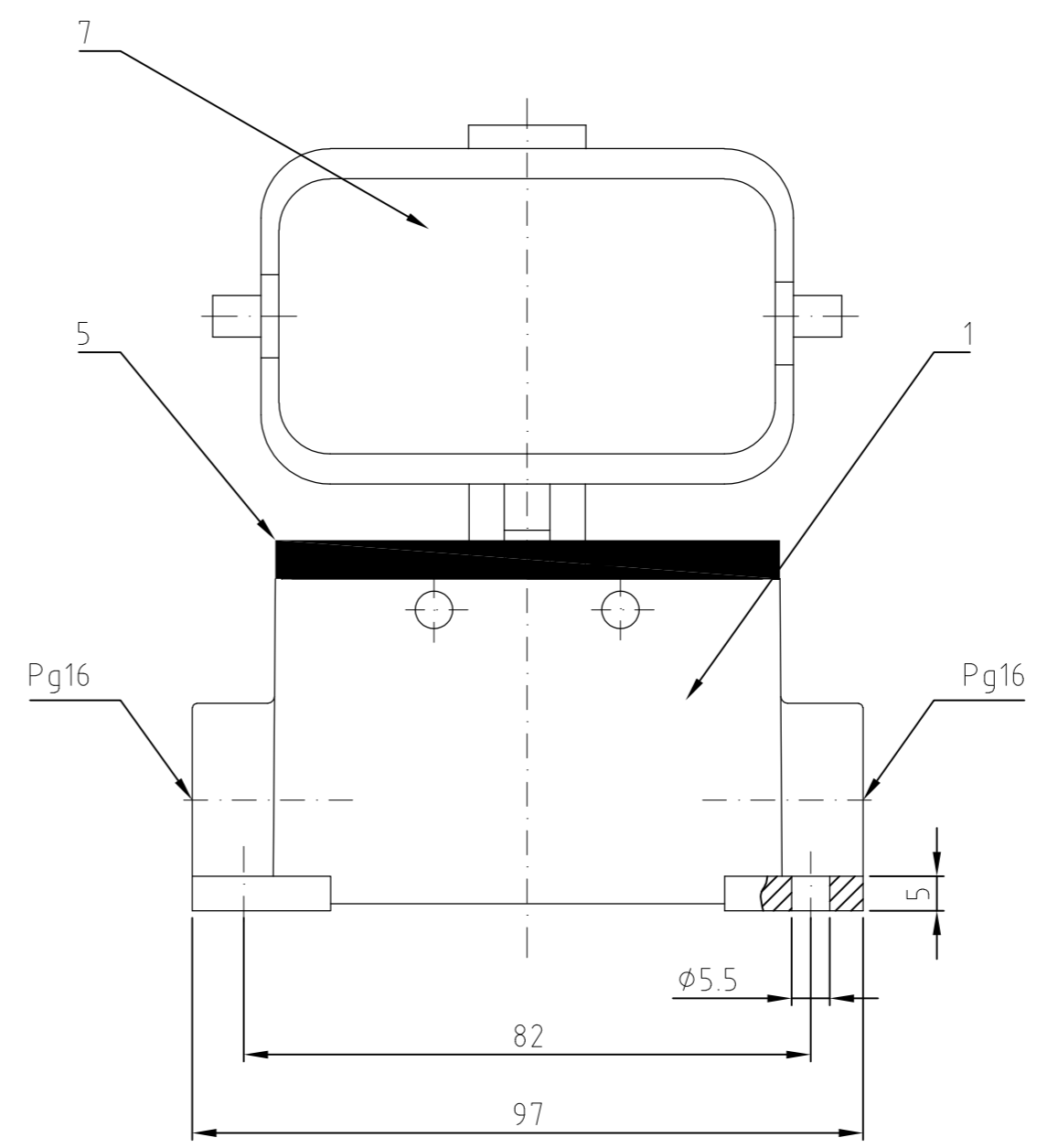
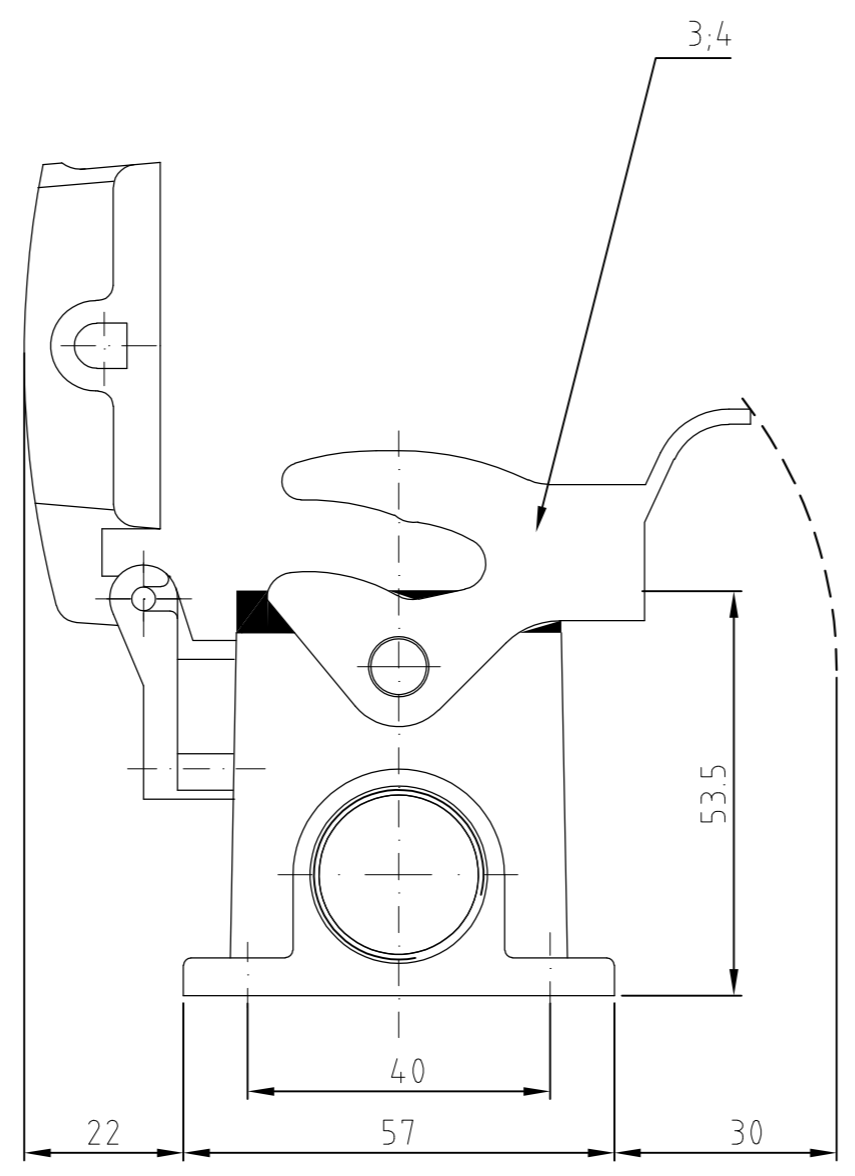
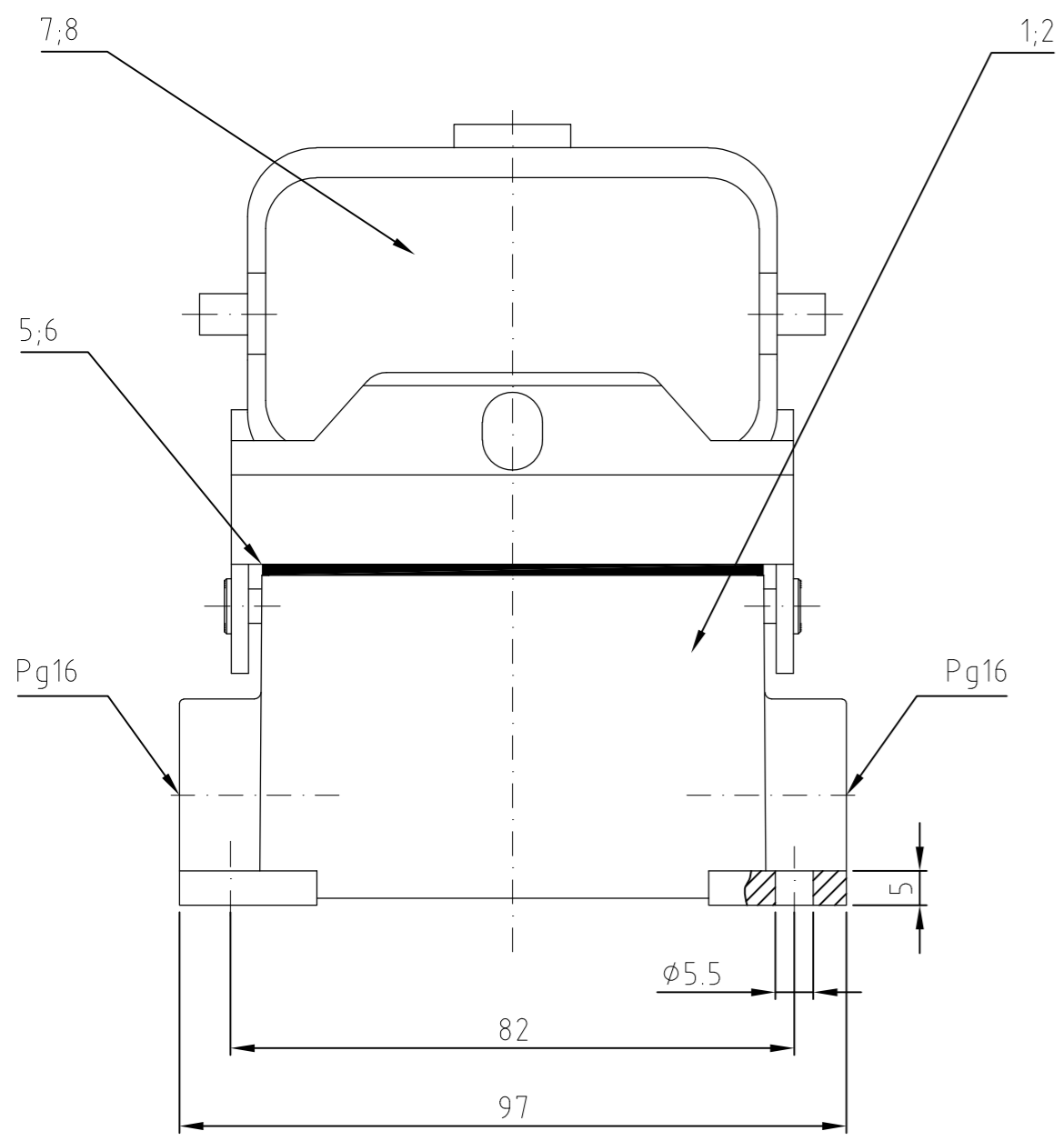


LOC		DIST		REVISIONS				
AI		-		DESCRIPTION		DATE	DWN	APVD
PROJEKT NR:		A4		text for packaging corrected ECR-08-001603		21.01.08	SR	ST



NOTES:

- 1 Material: Housing: aluminium diecasting alloy
Seals: NEOPRENE
Seals: Viton
- 2 SURFACE: VARNISH - ALUMINIUM OXID+
VARNISH BLACK
-GREY
- 3 Varnish on the inside not necessarily
- 4 PACKAGING:
PACKAGING QUANTITY: 5 PIECES
- 5 SPECIAL PACKAGING: Krauss-Maffei
PACKAGING UNIT: 20 PIECES IN Krauss-Maffei-Box

QTY	QTY	QTY	QTY	QTY	QTY	DESCRIPTION	MATERIAL	SURFACE	COLOR	ITEM NO. POS.	REMARKS
4				4		clip bolt	steel	zink plated	blue	9	
	1	1				cover	Aluminium/ALU	aluminium oxid	black	8	
	1		1	1		cover	Aluminium/ALU		grey	7	
	1					profile seal	Viton		grey	6	
	1	1	1	1		profile seal	Neoprene		black	5	
	1	1				side clip	stainless steel			4	
				1		side clip	steel	zink plated	blue	3	
	1	1				surface mounted housing bottom entry	Aluminium/ALU	aluminium oxid	black	2	
1			1	1		surface mounted housing bottom entry	Aluminium/ALU		grey	1	

DIMENSIONS: DIMENSIONEN: mm 	TOLERANCES UNLESS OTHERWISE SPECIFIED: ALLGEMEINTOLERANZEN 1 ISO 8015 2 ISO 2768 - mH - E 3 DIN 16901 - 140 ANGLES / WINKEL FINISH / OBERFLAECHE / FARBE	DWN Schneider 27.05.02	HTS Elektrotechnik 53819 Neunkirchen, Germany
		CHK Schweiger 2705.02	
ORDERING TEXT / BESTELLTEXT HB.10.SGD.2.16.Z.KM HB-K.10.SGD-LB.2.16.Z-V HB-K.10.SGD-LB.2.16.Z HB.10.SGD-LB.2.16.Z HB.10.SGD.2.16.Z		Tyco Electronics Surface mounted housing bottom entry Sockelgehäuse HB.10.SGD.2.16.Z	
MATERIAL DIMENSIONS: DIMENSIONEN: mm TOLERANCES UNLESS OTHERWISE SPECIFIED: ALLGEMEINTOLERANZEN 1 ISO 8015 2 ISO 2768 - mH - E 3 DIN 16901 - 140 ANGLES / WINKEL FINISH / OBERFLAECHE / FARBE		APVD - PRODUCT SPEC PRODUKTSPEZ - APPLICATION SPEC VERARBEITUNGSSPEZ. - WEIGHT GEWICHT - CUSTOMER DRAWING / KUNDENZEICHNUNG	NAME - SIZE A2 CAGE CODE 00779 DRAWING NO. ZEICHNUNGS-NR. 1102288 SCALE MASSSTAB 1:1 SHEET BLATT 1 OF 1 VON 1 REV A4