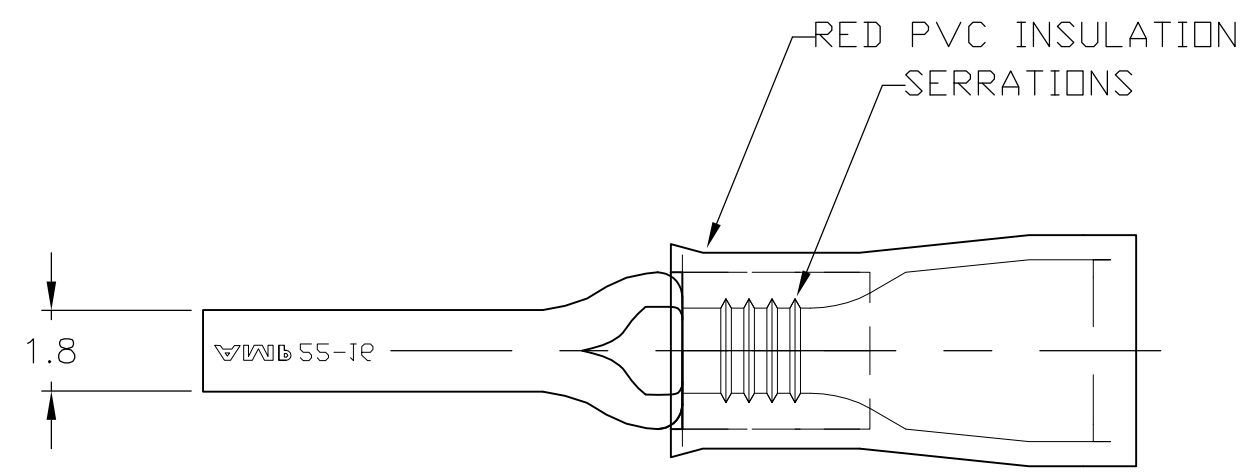


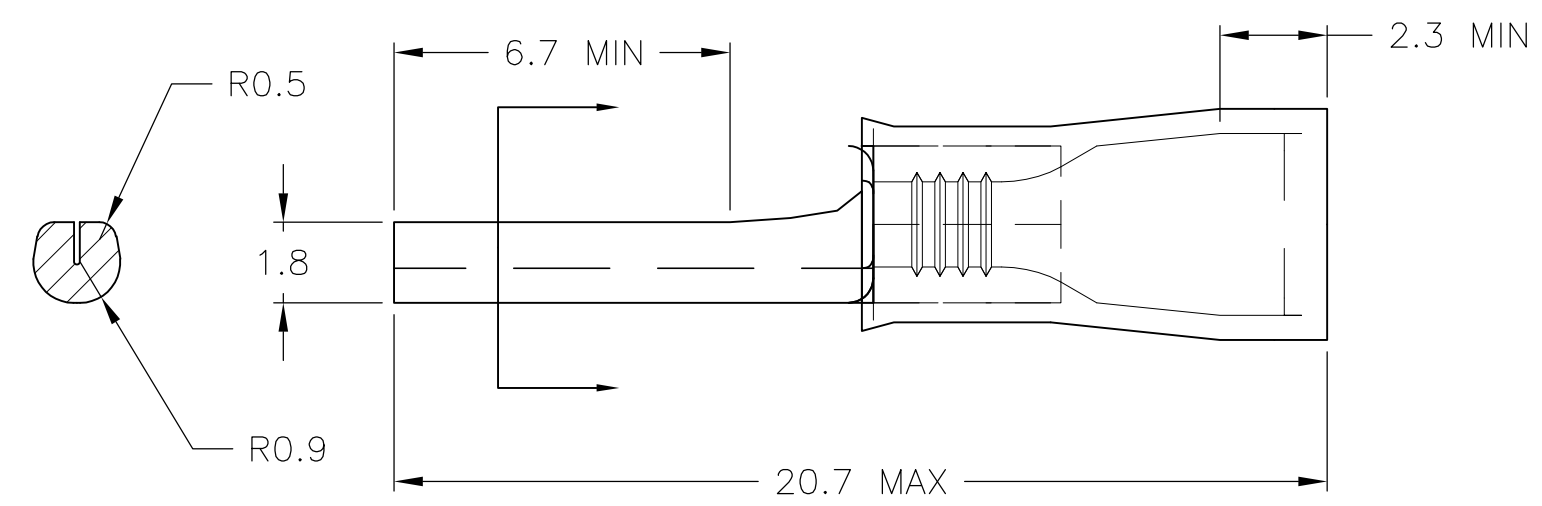
THIS DRAWING IS UNPUBLISHED. RELEASED FOR PUBLICATION
 © COPYRIGHT BY TYCO ELECTRONICS CORPORATION. ALL RIGHTS RESERVED.

LOC	DIST	REVISIONS			
P	LTR	DESCRIPTION	DATE	DWN	APVD
G	14				
	D	REV PER ECR 10-007446	16AUG10	JR	TM



AMP WIRE RANGE	FILE E13288
22-16 AWG STRANDED	22-16 AWG STRANDED

- 1 WIRE INSULATION DIA.
3.6 MAX DIA.
- 2 MATERIAL: BODY - CU PER ASTM B152
INSULATION - PVC
- 3 FINISH: BODY - TIN PL ASTM B545
INSULATION - COLOR - RED



---	LOOSE PIECE	165143-0
QTY	PACKAGE TYPE	PART NO

CUSTOMER SERVICE SYSTEMS		MAX RECOMMENDED OPERATING TEMPERATURE: 90°C [194°F]	THIS DRAWING IS A CONTROLLED DOCUMENT.		DWN JR RUTH 16AUG10	Tyco Electronics Corporation Harrisburg, PA 17105-3608				
FOR ADDITIONAL PRODUCT INFORMATION OR COPIES OF DRAWINGS AND TECHNICAL DOCUMENTS	PRODUCT INFORMATION CENTER 1-800-522-6752	VOLTAGE RATING: -	DIMENSIONS: mm	TOLERANCES UNLESS OTHERWISE SPECIFIED:	CHK T MICHELUTTI 16AUG10	NAME TERMINAL, WIRE PIN, WIRE SIZE, 22-16 AWG				
FOR APPLICATION TOOLING INFORMATION	TOOLING ASSISTANCE CENTER 1-800-722-1111	CIRCULAR MIL AREA: 0.25-1.6mm ² [493-3158] STRANDED		0 PLC ± - 1 PLC ± 0.38 2 PLC ± 0.20 3 PLC ± - 4 PLC ± - ANGLES ± -	APVD T MICHELUTTI 16AUG10	PRODUCT SPEC -				
FOR ORDER ENTRY	1-800-526-5142	THIS DRAWING IS A CONTROLLED DOCUMENT FOR AMP INCORPORATED. IT IS SUBJECT TO CHANGE AND THE CONTROLLING ENGINEERING ORGANIZATION SHOULD BE CONTACTED FOR THE LATEST REVISION.	MATERIAL	FINISH	APPLICATION SPEC -	SIZE A3	CAGE CODE 00779	DRAWING NO G-165143	RESTRICTED TO -	
			2	3	WEIGHT -	CUSTOMER DRAWING		SCALE 6:1	SHEET 1 OF 1	REV D