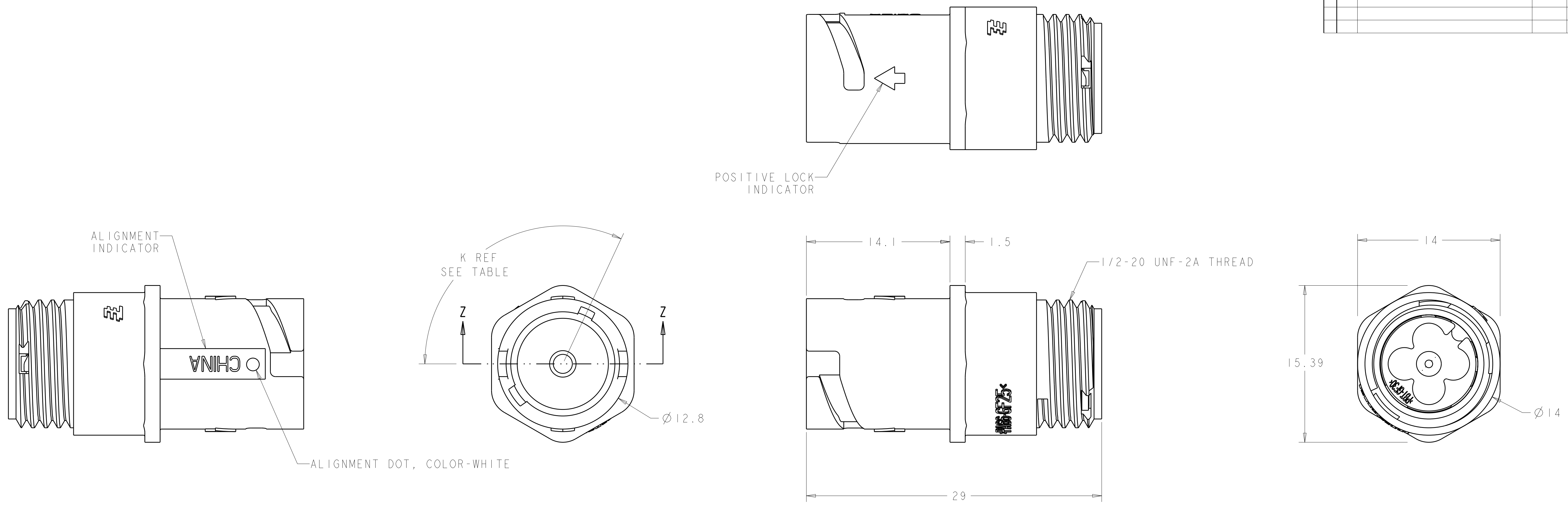
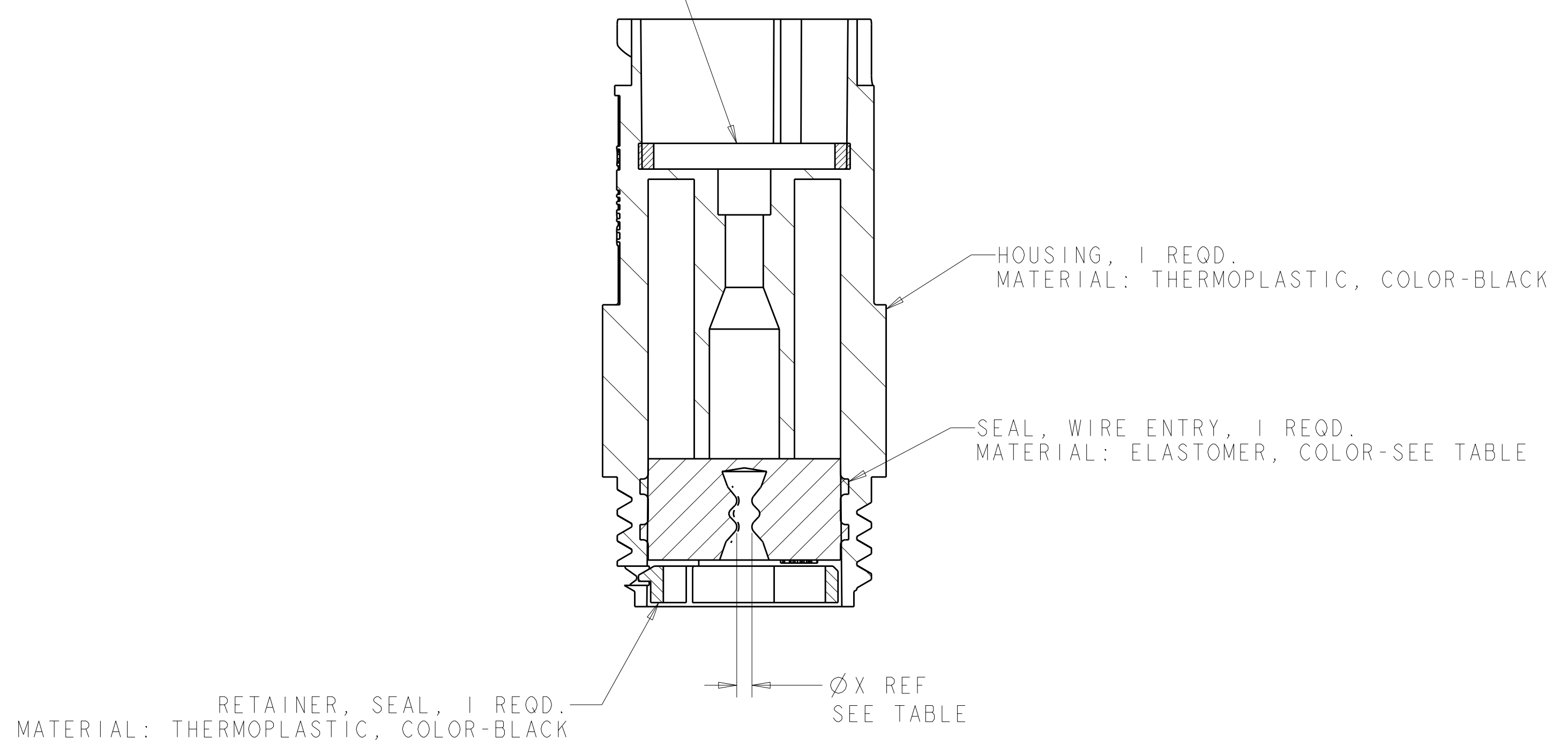


| LOC | | DIST | | REVISIONS | | | |
|-----|---|------|-----|---------------------------|-----------|-----|------|
| FT | 0 | P | LT# | DESCRIPTION | DATE | DWN | APVD |
| | | B1 | | REVISED PER ECO-10-014504 | 19OCT2010 | HMR | MG |



SEAL, PERIPHERAL, 1 REQD.
 MATERIAL: ELASTOMER, COLOR-GRAY



SECTION Z-Z

QUALIFICATION TEST PENDING

| | | | |
|------------------------|--------|-------|-------------|
| YELLOW | Ø0.75 | 130° | 1445526-04 |
| NATURAL | Ø1.5 | 115° | 1445526-03 |
| NATURAL | Ø1.5 | 130° | 1445526-02 |
| YELLOW | Ø0.75 | 115° | 1445526-01 |
| SEAL, WIRE ENTRY COLOR | ØX REF | K REF | PART NUMBER |

| | | | |
|--|---|--|---|
| <small>THIS DRAWING IS UNPUBLISHED. RELEASED FOR PUBLICATION BY TYCO ELECTRONICS CORPORATION. ALL RIGHTS RESERVED.</small> | | DWN: S. WIEST 02MAY2001 CHK: G. DOUITY 02MAY2001 APVD: H. WAKEEM 12JUN2003 | Tyco Electronics Harrisburg, PA 17105-3608 |
| DIMENSIONS: mm | TOLERANCES UNLESS OTHERWISE SPECIFIED: 0 PLC ±.5 1 PLC ±0.13 2 PLC ±0.13 3 PLC ±0.013 4 PLC ±0.001 ANGLES ±.1 | NAME: ASSEMBLY, RECEPTACLE, SIZE 8, 1 POSITION, FREE HANGING, SEALED, MINI CPC PRODUCT SPEC: APPLICATION SPEC: WEIGHT: - FINISH: SEE CALLOUT | SIZE: A1 CAGE CODE: 00779 DRAWING NO: C=1445526 RESTRICTED TO: - SCALE: 5:1 SHEET: 1 OF 1 REV: B1 |
| MATERIAL: SEE CALLOUT | | CUSTOMER DRAWING | |