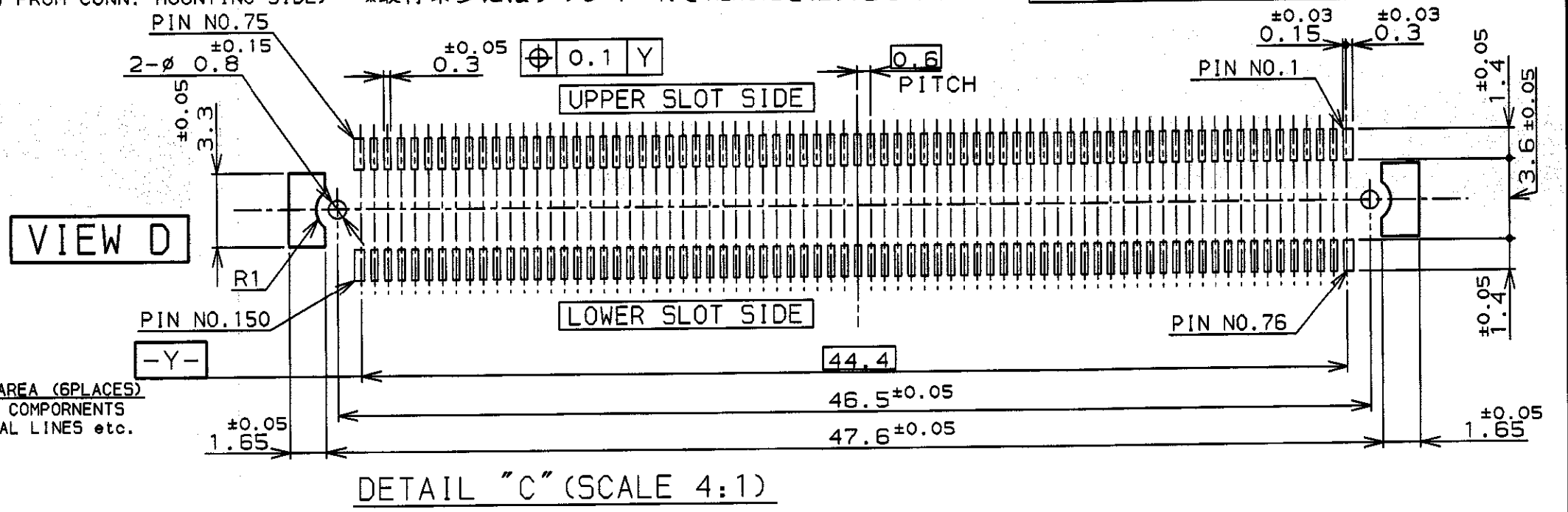
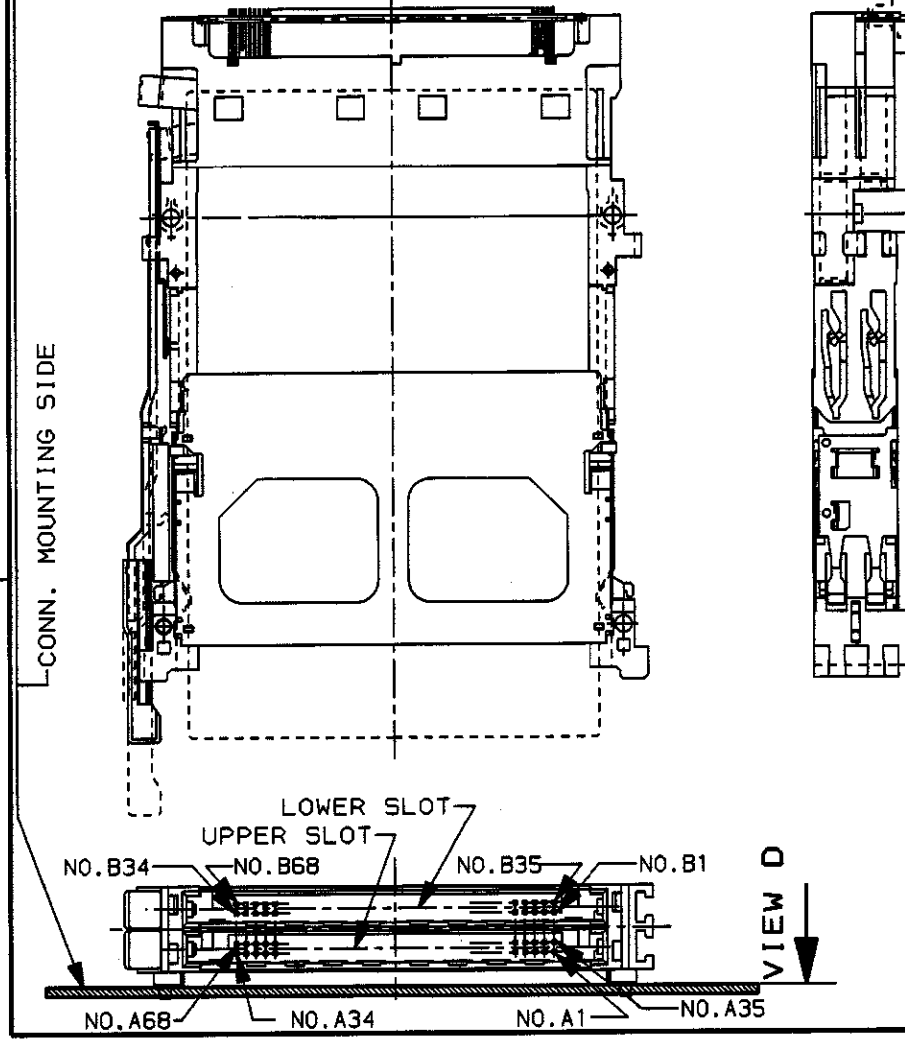
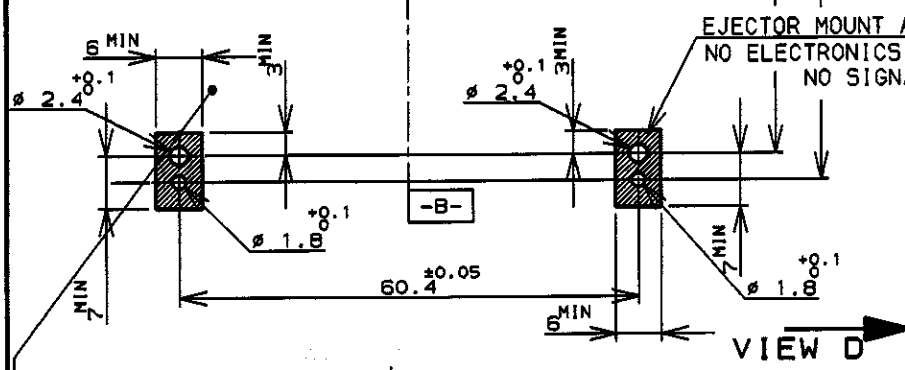
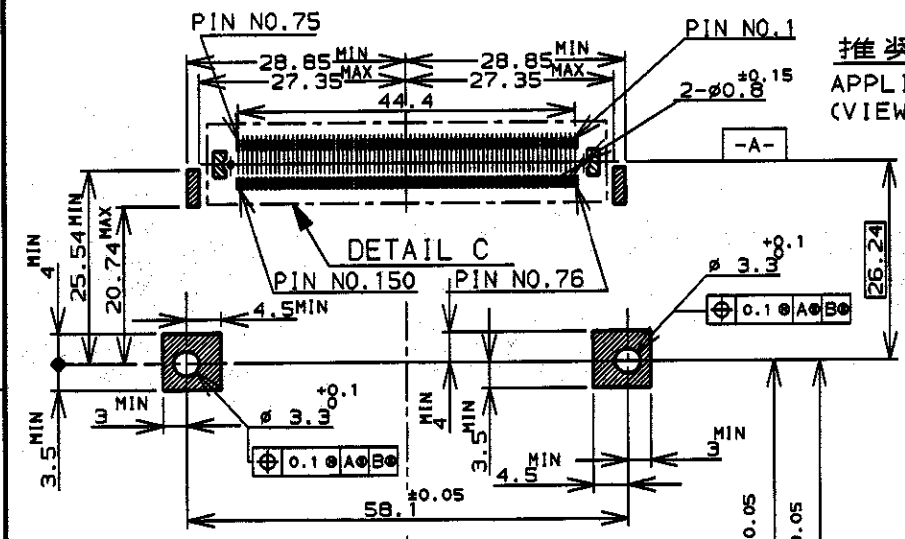


-1; AS SHOWN

0.6mm PITCH CARD EDGE CONNECTOR FOR THIS CARDBUS PRODUCTS	
Parts Number	Description
1123215-1	HARD TRAY ASSY
1376045-1	ON TAPING (EMBOSS)

推奨取付寸法 (部品搭載面)
 APPLICABLE P.C. BOARD LAYOUT
 (VIEW FROM CONN. MOUNTING SIDE)

*RECOMMENDED SCREW SIZE, M2 X 12 WITH WASHER.
 *取付ネジにはワッシャー付き M2xL12 を推奨します。



PIN ASSIGNMENT

COMMON	PIN NO. REC. CONN. CARDBUS 150P	PIN NO. REC. CONN. CARDBUS 150P	COMMON
50	A68	A68	150
49	A67	A67	149
48	A66	A66	148
47	A65	A65	147
46	A64	A64	146
45	A63	A63	145
44	A62	A62	144
43	A61	A61	143
42	A60	A60	142
41	A59	A59	141
40	A58	A58	140
39	A57	A57	139
38	A56	A56	138
37	A55	A55	137
36	A54	A54	136
35	A53	A53	135
34	A52	A52	134
33	A51	A51	133
32	A50	A50	132
31	A49	A49	131
30	A48	A48	130
29	A47	A47	129
28	A46	A46	128
27	A45	A45	127
26	A44	A44	126
25	A43	A43	125
24	A42	A42	124
23	A41	A41	123
22	A40	A40	122
21	A39	A39	121
20	A38	A38	120
19	A37	A37	119
18	A36	A36	118
17	A35	A35	117
16	A34	A34	116
15	A33	A33	115
14	A32	A32	114
13	A31	A31	113
12	A30	A30	112
11	A29	A29	111
10	A28	A28	110
9	A27	A27	109
8	A26	A26	108
7	A25	A25	107
6	A24	A24	106
5	A23	A23	105
4	A22	A22	104
3	A21	A21	103
2	A20	A20	102
1	A19	A19	101
COMMON	A18	A18	100
COMMON	A17	A17	99
COMMON	A16	A16	98
COMMON	A15	A15	97
COMMON	A14	A14	96
COMMON	A13	A13	95
COMMON	A12	A12	94
COMMON	A11	A11	93
COMMON	A10	A10	92
COMMON	A9	A9	91
COMMON	A8	A8	90
COMMON	A7	A7	89
COMMON	A6	A6	88
COMMON	A5	A5	87
COMMON	A4	A4	86
COMMON	A3	A3	85
COMMON	A2	A2	84
COMMON	A1	A1	83
COMMON	A0	A0	82
COMMON	A68	A68	81
COMMON	A67	A67	80
COMMON	A66	A66	79
COMMON	A65	A65	78
COMMON	A64	A64	77
COMMON	A63	A63	76
COMMON	A62	A62	75
COMMON	A61	A61	74
COMMON	A60	A60	73
COMMON	A59	A59	72
COMMON	A58	A58	71
COMMON	A57	A57	70
COMMON	A56	A56	69
COMMON	A55	A55	68
COMMON	A54	A54	67
COMMON	A53	A53	66
COMMON	A52	A52	65
COMMON	A51	A51	64
COMMON	A50	A50	63
COMMON	A49	A49	62
COMMON	A48	A48	61
COMMON	A47	A47	60
COMMON	A46	A46	59
COMMON	A45	A45	58
COMMON	A44	A44	57
COMMON	A43	A43	56
COMMON	A42	A42	55
COMMON	A41	A41	54
COMMON	A40	A40	53
COMMON	A39	A39	52
COMMON	A38	A38	51
COMMON	A37	A37	50
COMMON	A36	A36	49
COMMON	A35	A35	48
COMMON	A34	A34	47
COMMON	A33	A33	46
COMMON	A32	A32	45
COMMON	A31	A31	44
COMMON	A30	A30	43
COMMON	A29	A29	42
COMMON	A28	A28	41
COMMON	A27	A27	40
COMMON	A26	A26	39
COMMON	A25	A25	38
COMMON	A24	A24	37
COMMON	A23	A23	36
COMMON	A22	A22	35
COMMON	A21	A21	34
COMMON	A20	A20	33
COMMON	A19	A19	32
COMMON	A18	A18	31
COMMON	A17	A17	30
COMMON	A16	A16	29
COMMON	A15	A15	28
COMMON	A14	A14	27
COMMON	A13	A13	26
COMMON	A12	A12	25
COMMON	A11	A11	24
COMMON	A10	A10	23
COMMON	A9	A9	22
COMMON	A8	A8	21
COMMON	A7	A7	20
COMMON	A6	A6	19
COMMON	A5	A5	18
COMMON	A4	A4	17
COMMON	A3	A3	16
COMMON	A2	A2	15
COMMON	A1	A1	14
COMMON	A0	A0	13
COMMON	A68	A68	12
COMMON	A67	A67	11
COMMON	A66	A66	10
COMMON	A65	A65	9
COMMON	A64	A64	8
COMMON	A63	A63	7
COMMON	A62	A62	6
COMMON	A61	A61	5
COMMON	A60	A60	4
COMMON	A59	A59	3
COMMON	A58	A58	2
COMMON	A57	A57	1
COMMON	A56	A56	COMMON

THIS DRAWING IS A CONTROLLED DOCUMENT FOR AMP INCORPORATED JAPAN IT IS SUBJECT TO CHANGE AND THE CONTROLLING ENGINEERING ORGANIZATION SHOULD BE CONTACTED FOR THE LATEST REVISION.		AMP Tyco Electronics AMP K.K. Kawasaki, Japan	
DIMENSIONS: 単位: ㎜ mm	TOLERANCES UNLESS OTHERWISE SPECIFIED 一般公差 ±0.5	NAME 名称 CARD BUS CONNECTOR DOUBLE SLOT BOTTOM MOUNT PUSH-PUSH TYPE	RESTRICTED TO
CHK	APVD	SIZE	CAGE CODE
PRODUCT SPEC 製品規格	APPLICATION SPEC 取付適用規格	A3	00779
WEIGHT	CUSTOMER DRAWING	DRAWING NO. 番号 C-1473389	SCALE 尺度 1:1
		SHEET 2	OF 2
		REV 0	