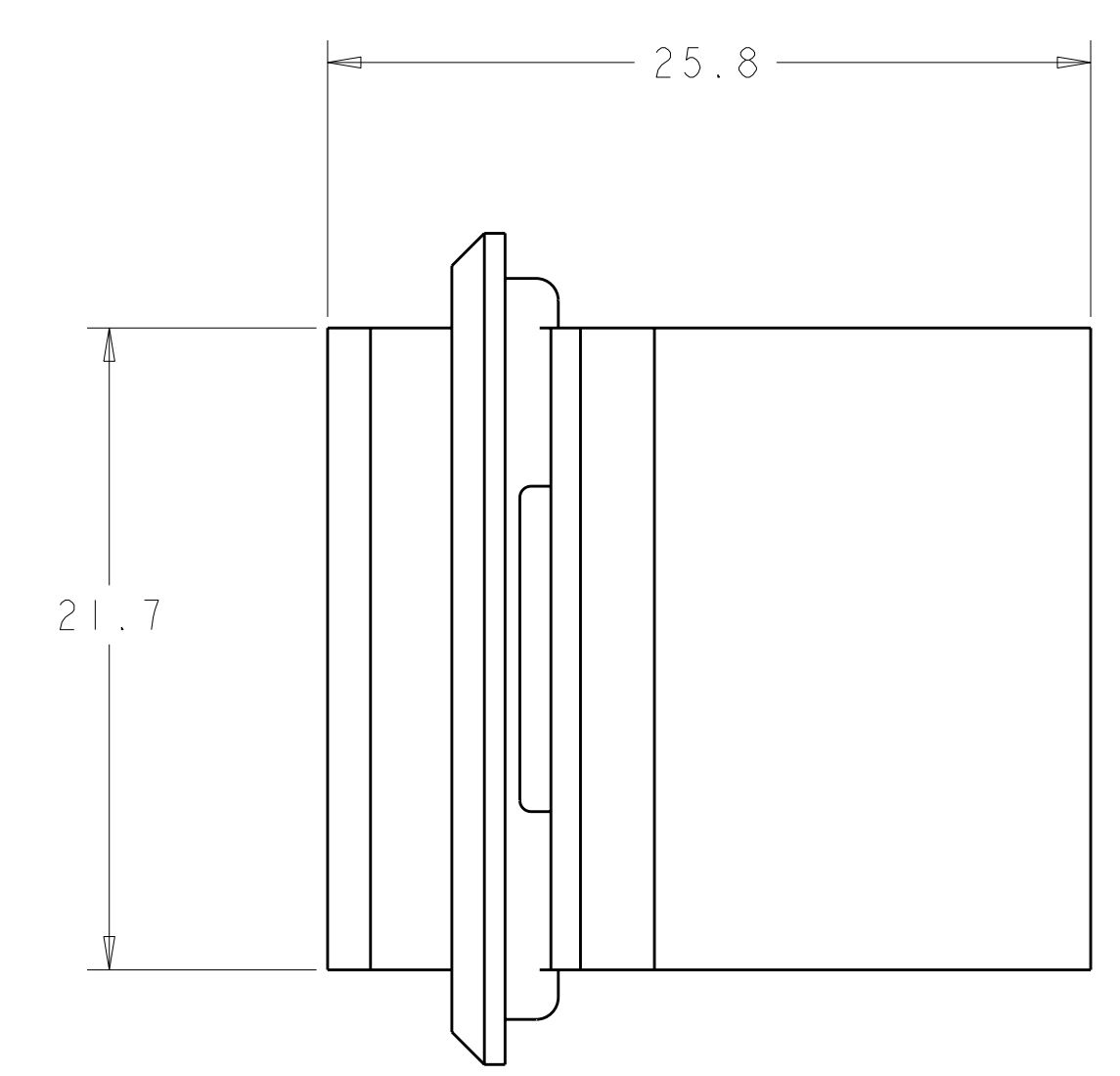
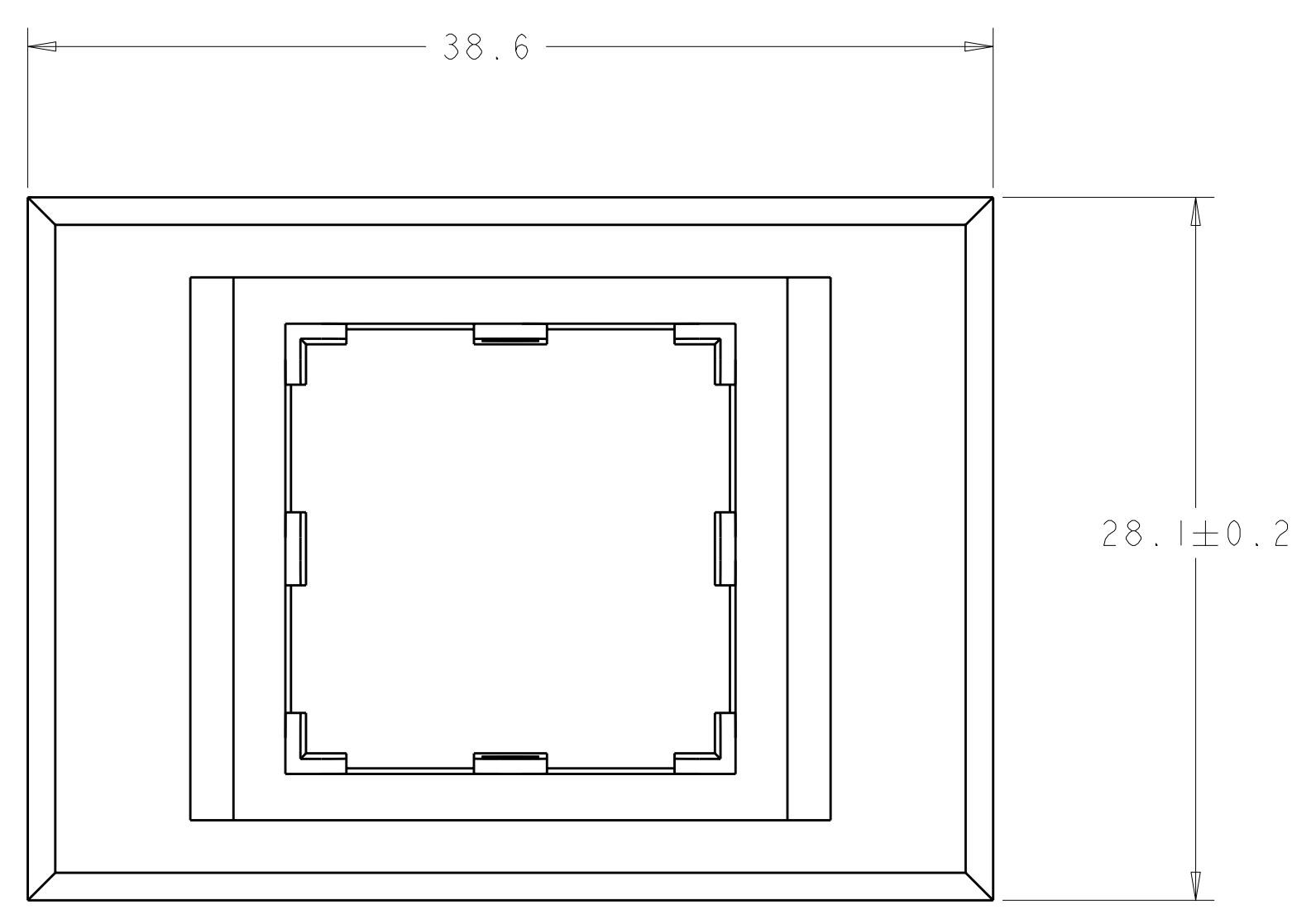
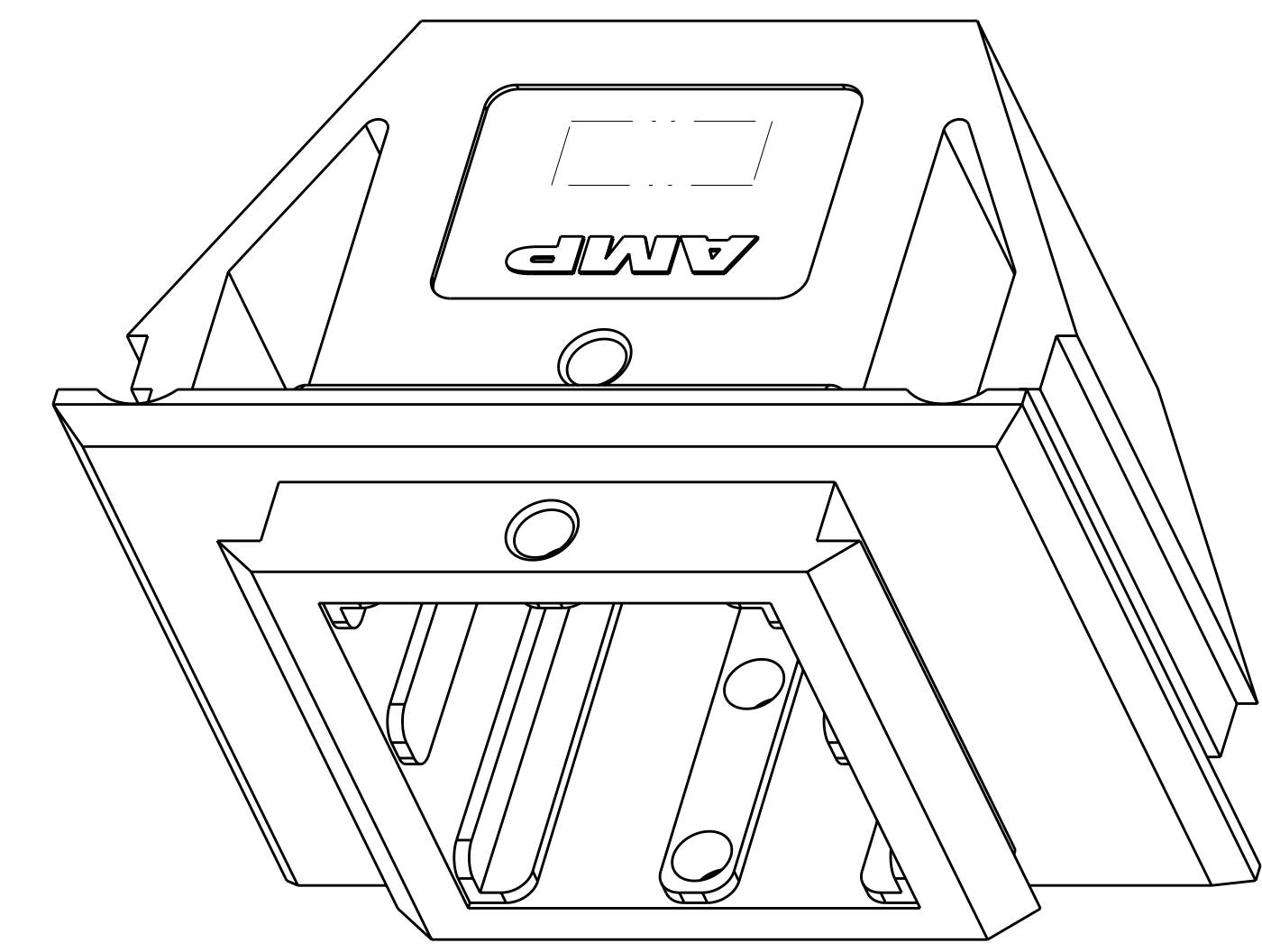
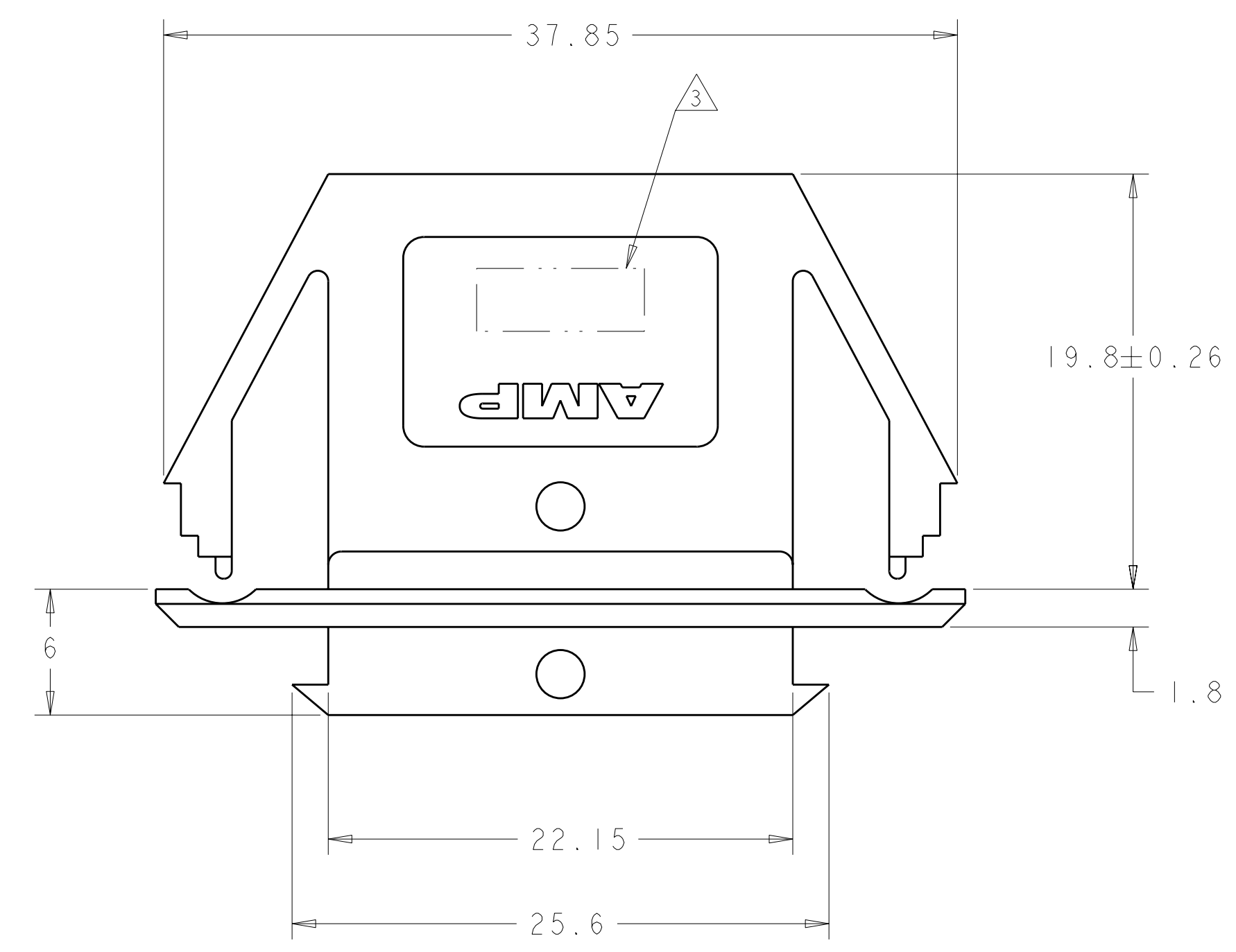


LOC	DIST	REVISIONS			
REV	DATE	DESCRIPTION	DATE	DWN	APVD
B		REVISED PER ECO-11-005167	03JUN2011	HMR	DY



1. MATERIAL: POLYCARBONATE 94-V0
2. COLOR: BLACK
3. TE OR TE CONNECTIVITY LOGO LOCATED APPROX IN THIS AREA.

1604077-1
 PART NUMBER

THIS DRAWING IS A CONTROLLED DOCUMENT.		DWN: B. HAYMAKER 09JAN2002	TE Connectivity
DIMENSIONS: mm		CHK: K. KETELSLEGER 14MAR02	
TOLERANCES UNLESS OTHERWISE SPECIFIED:		APVD: K. KETELSLEGER 14MAR02	NAME: HOUSING, 2X2 POWER SERIES RECEPTACLE
0 PLC ±0.13	1 PLC ±0.13	PRODUCT SPEC	SIZE: CAGE CODE: DRAWING NO: A100779C=1604077
2 PLC ±0.13	3 PLC ±0.13	APPLICATION SPEC	RESTRICTED TO
4 PLC ±0.13	ANGLES ±°	WEIGHT	SCALE: 4:1 SHEET 1 OF 1 REV B
FINISH ±0.13		CUSTOMER DRAWING	