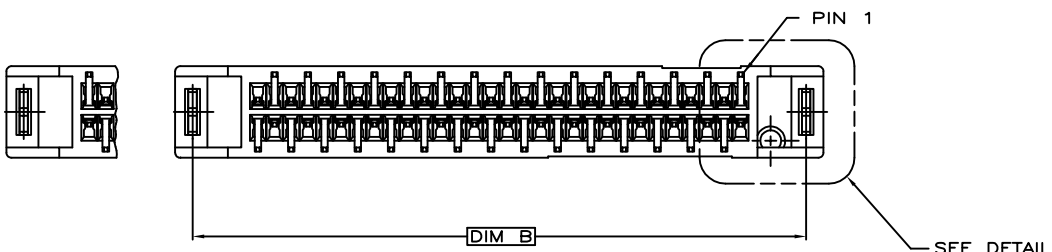
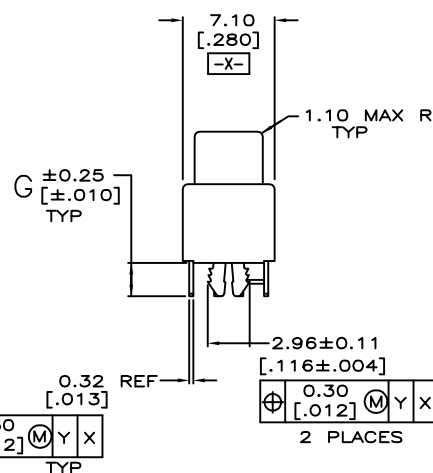
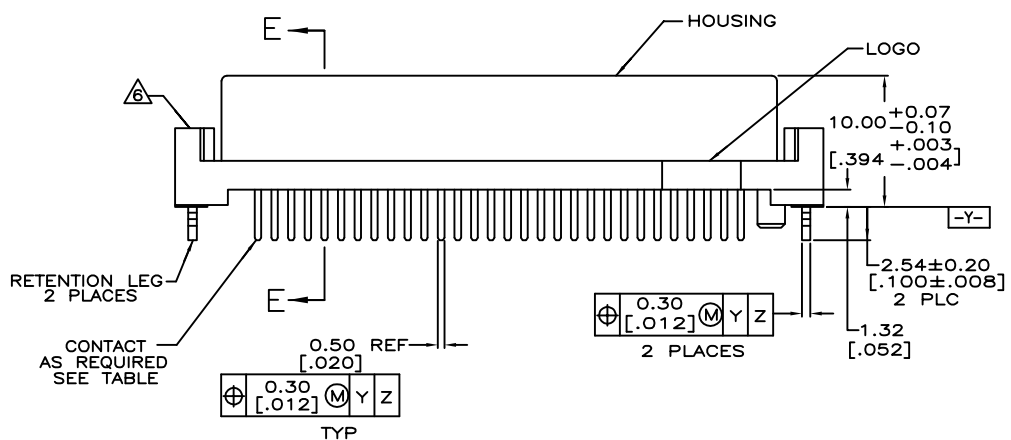
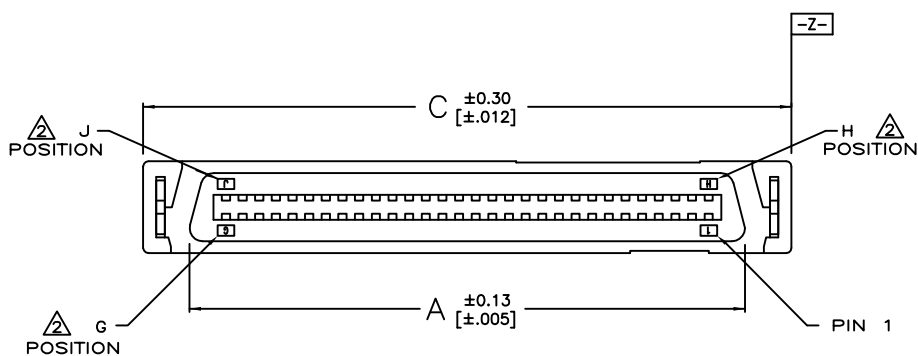
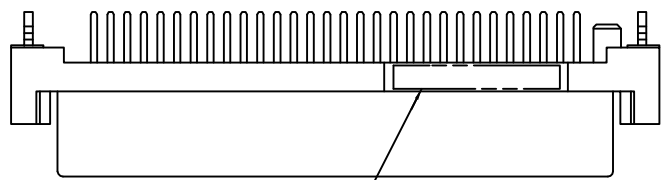


THIS DRAWING IS UNPUBLISHED. RELEASED FOR PUBLICATION AUG ,2006.

© COPYRIGHT BY TYCO ELECTRONICS CORPORATION. ALL RIGHTS RESERVED.

LOC	DIST	REVISIONS			
P	LTR	DESCRIPTION	DATE	DWN	APVD
		E1	REVISED. ECR-12-013026	25MAR13	K.M E.T

- MATERIALS:**
 HOUSING- PPA RESIN, BLACK, MOLDING COMPOUND.
 CONTACTS- PHOSPHOR BRONZE PLATED WITH MINIMUM THICK (SEE TABLE) GOLD IN CONTACT AREA AND 3.8μm [.000150] MINIMUM THICK MATTE TIN ON SOLDER TINES OVER 1.27μm [.000050] MINIMUM THICK NICKEL UNDERPLATE.
 RETENTION LEG- BRASS PLATED WITH 3.8μm [.000150] MINIMUM TIN-Cu OVER 1.3μm [.000051] MINIMUM NICKEL UNDERPLATE.
- G, J, AND H INDICATE NUMBER OF POSITION MARKED ON ASSEMBLY. ALSO SEE TABLE.
 ALL DIMENSIONS SHOWN ARE MAXIMUM UNLESS OTHERWISE SPECIFIED.
 4. 60 POSITION AS SHOWN.
 RETENTION LEGS NOT PRESENT.
 TOP OF RETENTION LEG MAY NOT PROTRUDE ABOVE THIS SURFACE.
 HOUSING BOW UP TO 0.30 [.012] ALLOWED.
 CONNECTOR WILL ACCOMMODATE MATING PRINTED CIRCUIT BOARD OF 1.6±0.07 [.063±.003] THICKNESS.
 ALWAYS RoHS/ELV COMPLIANT.
 WAVE SOLDER CAPABLE TO 265 C PER TE SPEC 109-202, CONDITION B.
 REMOVE CONTACT POSITION FROM #11~#17 AND #36~#42.
 RECOMMEND CARD EDGE DIM. (PAGE2)
 GOLD FLASH OVER 0.762μm [30μ"] MIN. PALLADIUM-NICKEL PLATED.
 OBSOLETE



LOC	DIST	P	LTR	DESCRIPTION	DATE	DWN	APVD
E1				GOLD FLASH	5-1734101-6		
E1		2.36	3.30	127.43	138.35	135.71	131.27
E1		[.093]	[.130]	[5.017]	[5.447]	[5.343]	[5.168]
E1				0.381um[15u"]	3-1734101-6		
E1					1-1734101-6		
E1		0.8-1.6	2.54	127.43	138.35	135.71	131.27
E1		[.031-.063]	[.100]	[5.017]	[5.447]	[5.343]	[5.168]
E1				0.381um[15u"]	3-1734101-5		
E1					1-1734101-5		
E1		0.8-1.6	2.54	102.03	112.95	110.31	105.87
E1		[.031-.063]	[.100]	[4.017]	[4.447]	[4.343]	[4.168]
E1				GOLD FLASH	5-1734101-4		
E1				0.381um[15u"]	3-1734101-4		
E1					1-1734101-4		
E1		2.36	3.30	76.63	87.55	84.91	80.47
E1		[.093]	[.130]	[3.017]	[3.447]	[3.343]	[3.168]
E1				GOLD FLASH	5-1734101-3		
E1				0.381um[15u"]	3-1734101-3		
E1					1-1734101-3		
E1		0.8-1.6	2.54	76.63	87.55	84.91	80.47
E1		[.031-.063]	[.100]	[3.017]	[3.447]	[3.343]	[3.168]
E1				GOLD FLASH	5-1734101-2		
E1				0.381um[15u"]	3-1734101-2		
E1					1-1734101-2		
E1		2.36	3.30	63.93	74.85	72.21	67.77
E1		[.093]	[.130]	[2.517]	[2.947]	[2.843]	[2.668]
E1				GOLD FLASH	5-1734101-1		
E1				0.381um[15u"]	3-1734101-1		
E1					1-1734101-1		
E1		0.8-1.6	2.54	63.93	74.85	72.21	67.77
E1		[.031-.063]	[.100]	[2.517]	[2.947]	[2.843]	[2.668]
E1				GOLD FLASH	5-1734101-0		
E1				0.381um[15u"]	3-1734101-0		
E1					1-1734101-0		
E1		0.8-1.6	2.54	51.23	62.15	59.51	55.07
E1		[.031-.063]	[.100]	[2.017]	[2.447]	[2.343]	[2.168]
E1				GOLD FLASH	5-1734101-8		
E1				0.381um[15u"]	3-1734101-8		
E1					1-1734101-8		
E1		2.36	3.30	51.23	62.15	59.51	55.07
E1		[.093]	[.130]	[2.017]	[2.447]	[2.343]	[2.168]
E1				GOLD FLASH	4-1734101-9		
E1				0.381um[15u"]	6-1734101-9		
E1					1734101-9		
E1		0.8-1.6	2.54	51.23	62.15	59.51	55.07
E1		[.031-.063]	[.100]	[2.017]	[2.447]	[2.343]	[2.168]
E1				GOLD FLASH	4-1734101-8		
E1				0.381um[15u"]	6-1734101-8		
E1					1734101-8		
E1		0.8-1.6	2.54	43.61	54.53	51.89	47.45
E1		[.031-.063]	[.100]	[1.717]	[2.147]	[2.043]	[1.868]
E1				GOLD FLASH	4-1734101-7		
E1				0.381um[15u"]	6-1734101-7		
E1					1734101-7		
E1		2.36	3.40	38.53	49.45	46.81	42.37
E1		[.093]	[.134]	[1.517]	[1.947]	[1.843]	[1.668]
E1				GOLD FLASH	4-1734101-6		
E1				0.381um[15u"]	6-1734101-6		
E1					1734101-6		
E1		2.36	3.30	32.18	43.10	40.46	36.02
E1		[.093]	[.100]	[1.267]	[1.697]	[1.593]	[1.418]
E1				GOLD FLASH	5-1734101-7		
E1				0.381um[15u"]	3-1734101-7		
E1					1-1734101-7		
E1		0.8-1.6	2.54	32.18	43.10	40.46	36.02
E1		[.031-.063]	[.100]	[1.267]	[1.697]	[1.593]	[1.418]
E1				GOLD FLASH	4-1734101-5		
E1				0.381um[15u"]	6-1734101-5		
E1					1734101-5		
E1		0.8-1.6	2.54	25.83	36.75	34.11	29.67
E1		[.031-.063]	[.100]	[1.017]	[1.447]	[1.343]	[1.168]
E1				GOLD FLASH	4-1734101-4		
E1				0.381um[15u"]	6-1734101-4		
E1					1734101-4		
E1		0.8-1.6	2.54	-	30.40	27.96	23.32
E1		[.031-.063]	[.100]	-	[1.197]	[1.101]	[.918]
E1				GOLD FLASH	4-1734101-3		
E1				0.381um[15u"]	6-1734101-3		
E1					1734101-3		

THIS DRAWING IS A CONTROLLED DOCUMENT.

DIMENSIONS: MM

TOLERANCES UNLESS OTHERWISE SPECIFIED:

0 PLC	± -
1 PLC	± -
2 PLC	± -
3 PLC	± -
4 PLC	± -
ANGLES	± -

MATERIAL: SEE NOTE

FINISH: SEE NOTE

APVD: W. KODAMA

PRODUCT SPEC: 108-57876

QUALIFICATION TEST REPORT: -

WEIGHT: -

CUSTOMER DRAWING

DWN: F. YANG

CHK: S. CHIEN

APVD: W. KODAMA

31MAR2009

31MAR2009

31MAR2009

TE Connectivity

RECEPTACLE ASSEMBLY, VERTICAL, BOARD-TO-BOARD, CHAMP.050, SERIES I,

SIZE: A3

CAGE CODE: 00779

DRAWING NO: C=1734101

RESTRICTED TO: -

SCALE: -

SHEET: 1 OF 4

REV: E1

4

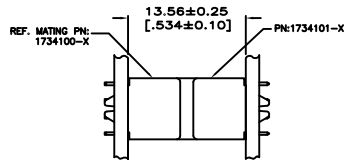
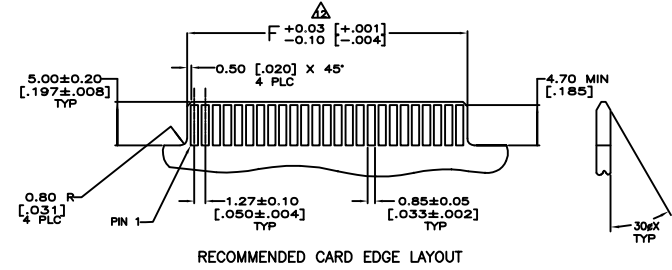
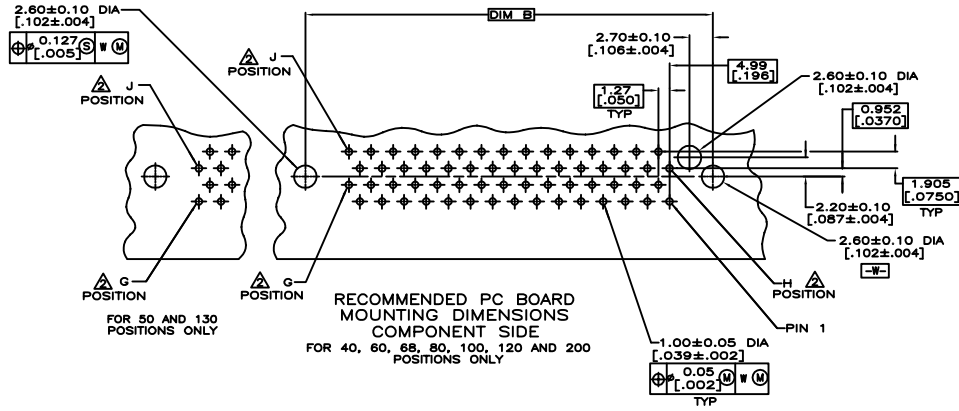
3

2

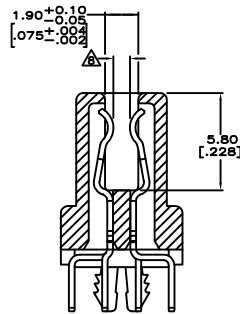
1

THIS DRAWING IS UNPUBLISHED. RELEASED FOR PUBLICATION AUG .2006.
 © COPYRIGHT - BY TYCO ELECTRONICS CORPORATION. ALL RIGHTS RESERVED.

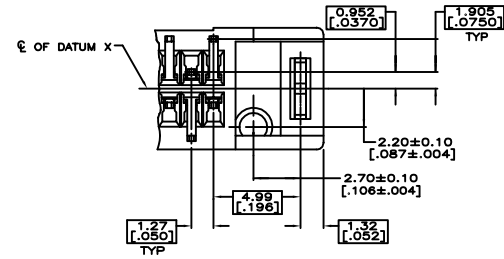
LOC	DIST	REVISIONS					
DW		P	LTR	DESCRIPTION	DATE	DWN	APVD
				SEE SHEET 1.			



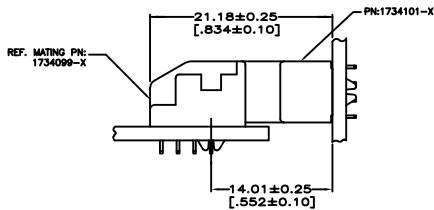
VERTICAL RECEPTACLE ASSEMBLY MATED TO VERTICAL PLUG ASSEMBLY



SECTION E-E SCALE 8:1



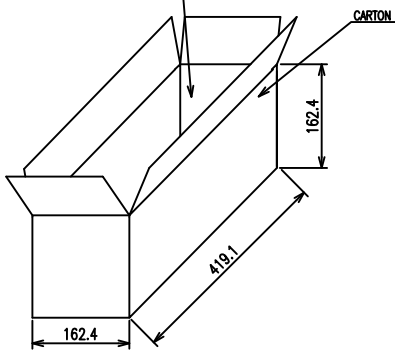
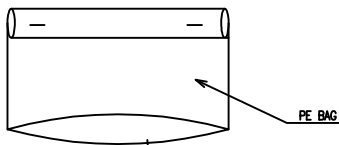
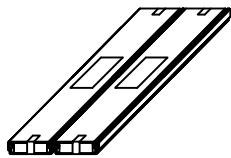
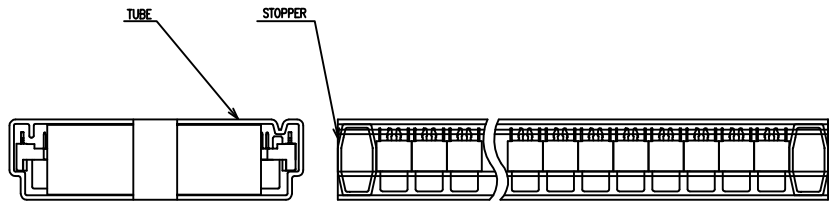
DETAIL D SCALE 8:1



VERTICAL RECEPTACLE ASSEMBLY MATED TO VERTICAL PLUG ASSEMBLY

THIS DRAWING IS A CONTROLLED DOCUMENT.		DWN				
		CHK				
DIMENSIONS: MM		APVD	NAME			
TOLERANCES UNLESS OTHERWISE SPECIFIED: 0 PLC ± - 1 PLC ± - 2 PLC ± - 3 PLC ± - 4 PLC ± - ANGLES ± -		PRODUCT SPEC	RECEPTACLE ASSEMBLY, VERTICAL, BOARD-TO-BOARD, CHAMP.050, SERIES I,			
MATERIAL		QUALIFICATION TEST REPORT	SIZE	CAGE CODE	DRAWING NO	RESTRICTED TO
FINISH		WEIGHT	A3	00779	C=1734101	
CUSTOMER DRAWING			SCALE	SHEET	2 of 4	REV E1

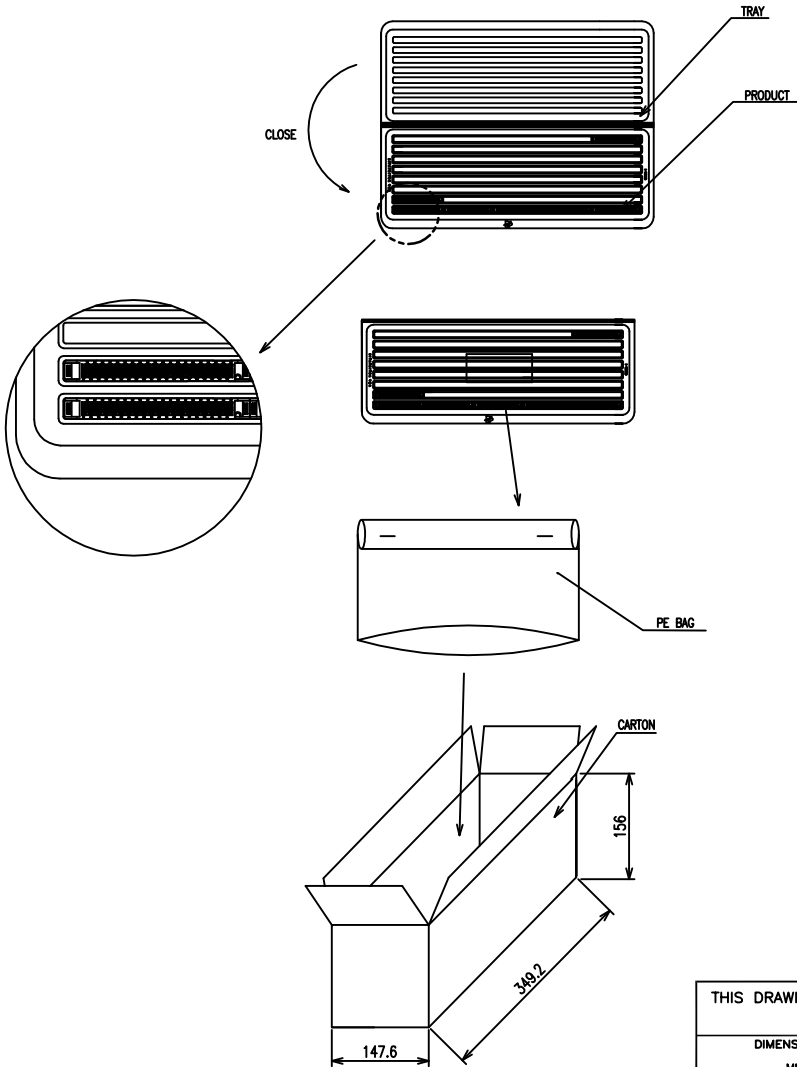
LOC	DIST	REVISIONS				
P	LTR	DESCRIPTION	DATE	DWN	APVD	
		SEE SHEET 1.				



QTY	DESCRIPTION	DATE	DWN	APVD	POS.		
120	OBsolete				5-1734101-3 3-1734101-3 1-1734101-3 5-1734101-2 3-1734101-2 1-1734101-2		
100	OBsolete				6-1734101-1 3-1734101-1 1-1734101-1 5-1734101-0 3-1734101-0 1-1734101-0		
80	OBsolete				5-1734101-8 3-1734101-8 1-1734101-8 4-1734101-8 6-1734101-8 1734101-8		
68					4-1734101-7 6-1734101-7 1734101-7		
60					4-1734101-6 6-1734101-6 1734101-6		
50	OBsolete				2-1734101-7 5-1734101-7 3-1734101-7 1-1734101-7 4-1734101-5 6-1734101-5 1734101-5		
40					4-1734101-4 6-1734101-4 1734101-4		
30					4-1734101-3 6-1734101-3 1734101-3		
	G.W./CARTON (KG)	N.W./CARTON (KG)	PCS/TUBE	TUBES/CARTON	QUANTITY/CARTON (PCS)	PART NUMBER	POS.

THIS DRAWING IS A CONTROLLED DOCUMENT.		DWN		TE Connectivity	
DIMENSIONS: MM		CHK			
TOLERANCES UNLESS OTHERWISE SPECIFIED:		APVD		NAME	
0 PLC ± - 1 PLC ± - 2 PLC ± - 3 PLC ± - 4 PLC ± - ANGLES ± -		PRODUCT SPEC		RECEPTACLE ASSEMBLY, VERTICAL, BOARD-TO-BOARD, CHAMP.050, SERIES I,	
MATERIAL		QUALIFICATION TEST REPORT		SIZE CAGE CODE DRAWING NO RESTRICTED TO	
FINISH		WEIGHT		A300779 C=1734101	
CUSTOMER DRAWING				SCALE	
				SHEET 3 OF 4 REV E1	

LOC	DIST	REVISIONS					
DW		P	LTR	DESCRIPTION	DATE	DWN	APVD
				SEE SHEET 1.			



E1	OBSOLETE	2.69	1.71	16	10	160	5-1734101-6	200
							3-1734101-6	
							1-1734101-6	
							3-1734101-5	
							1-1734101-5	
E1	OBSOLETE	2.37	1.39	16	10	160	5-1734101-4	160
							3-1734101-4	
							1-1734101-4	
							4-1734101-9	
		2.48	1.50	32	10	320	6-1734101-9	80
							1734101-9	
		G.W./CARTON (KG)	N.W./CARTON (KG)	PCS/TRAY	TRAYS/CARTON	QUANTITY/CARTON (PCS)	PART NUMBER	POS.

THIS DRAWING IS A CONTROLLED DOCUMENT.		DWN					
DIMENSIONS: MM		TOLERANCES UNLESS OTHERWISE SPECIFIED:					
		0 PLC ± - 1 PLC ± - 2 PLC ± - 3 PLC ± - 4 PLC ± - ANGLES ± -		PRODUCT SPEC - QUALIFICATION TEST REPORT - WEIGHT -		RECEPTACLE ASSEMBLY, VERTICAL, BOARD-TO-BOARD, CHAMP.050, SERIES I,	
MATERIAL		FINISH		SIZE	CAGE CODE	DRAWING NO	RESTRICTED TO
				A3	00779	C=1734101	-
CUSTOMER DRAWING				SCALE	SHEET	4 OF 4	REV E1