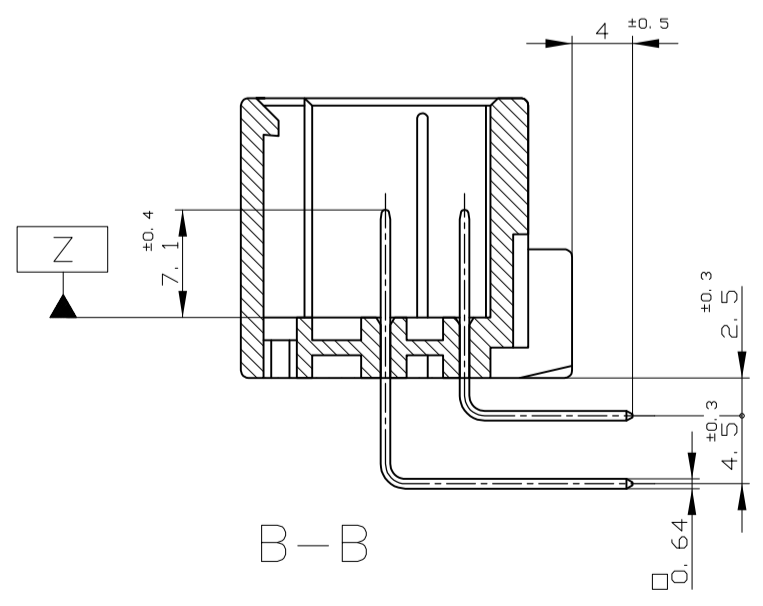
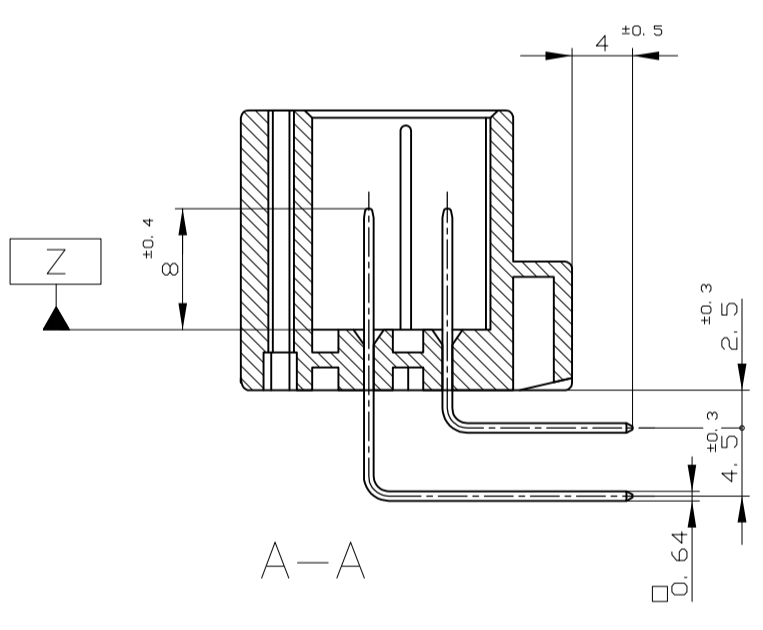
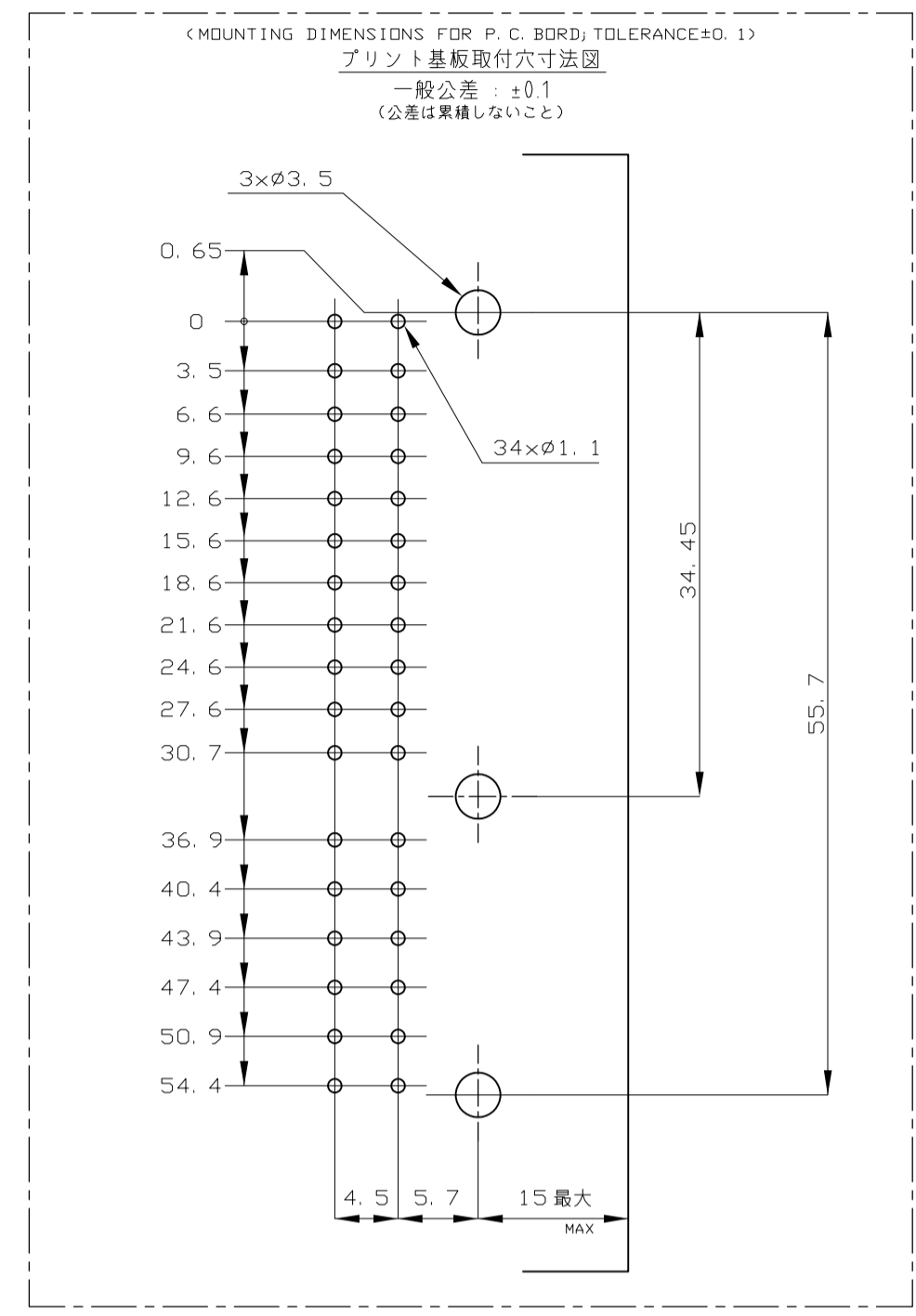
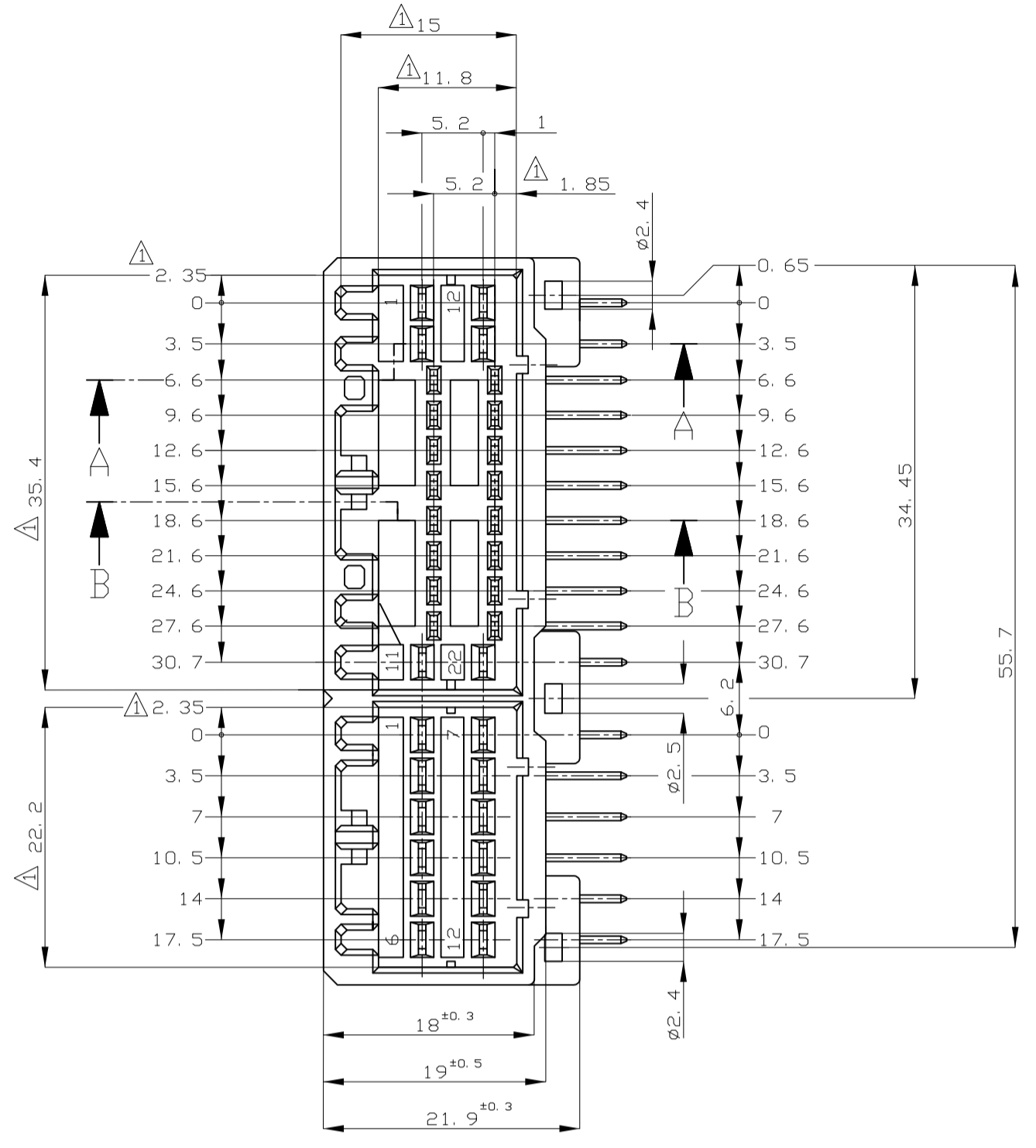
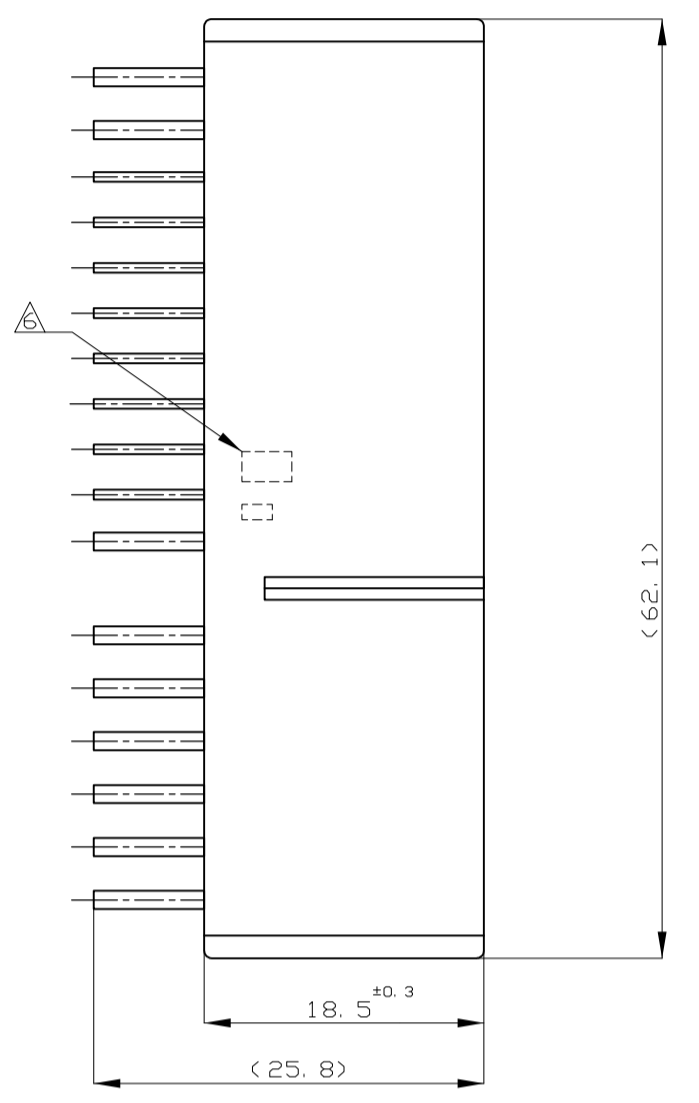
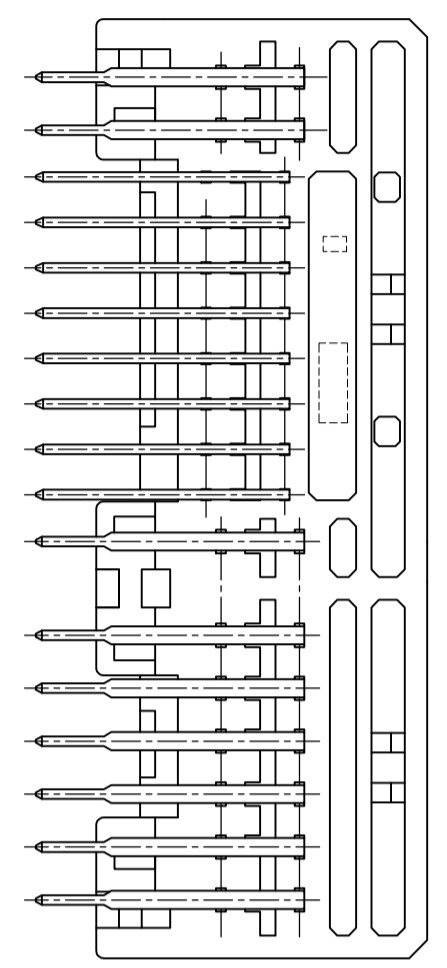
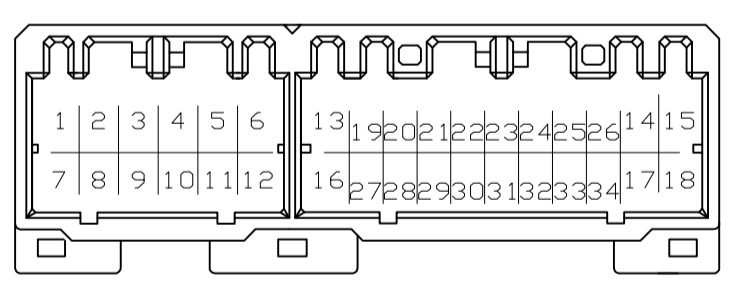


REVISIONS					
REV	DATE	DESCRIPTION	BY	CHK	APPV
P10	REVISED	ECR-16-003280	06SEP2016	KF	HY



- 注記
- △ Z 面から2mmの範囲で測定
 - 嵌合相手ハウジング型 174515, 175442, 917989, 917978
 - 推奨取付ねじ: JIS B1115, B1122 ツッピンねじ, なべ2種
呼び径3,長さ6mm以下(挿付トルク: 0.4N-m以下)
 - 適用製品規格番号: 108-5280, 108-5342
- 回路番号
- パワ回路 ① ~ ⑬
シグナル回路 ⑭ ~ ⑳
- △ コンタクト仕上識別マーク



- NOTES; △ MUST BE KEPT BETWEEN Z AND 2
- THE MATING PLUG HSG. PART NUMBER; 174515, 175442, 917989, 917978
 - RECOMMENDED MOUNTING SCREW; 3mm DIA, 6mm LENGTH (MAX.)
PAN HEAD, CLASS 2 TAPPING SCREW SPECIFIED IN JIS B1115, B1122
(TIGHTENING TORQUE; 0.4N-m MAX.)
 - APPLICABLE PRODUCT SPEC NO. 108-5280, 108-5342
- △ CIRCUIT NUMBER
- POWER CIRCUIT NO. ① ~ ⑬
SIGNAL CIRCUIT NO. ⑭ ~ ⑳
- △ MARKING FOR DISCERNMENT OF THE CONTACT FINISH

Part No.	Pin	Finish	Material	Plating	Plating Thickness	Color	Part No.
FJPI-7-175444-6	57	SELECTIVE-TIN (MATTE)	SELECTIVE GOLD	× 8	14, 17, 18	24~26, 32, 34	GRAY 灰色
FJPI-3-175444-6	53	SELECTIVE-TIN (MATTE)	SELECTIVE GOLD	× 13	2~5	28~24, 29~32	GRAY 灰色
FJPI-4-175444-1	56	SELECTIVE-TIN (MATTE)	SELECTIVE GOLD	× 8	-	19~22, 27~30	NATURAL 自然色
FJPI-5-175444-9	55	SELECTIVE-TIN (MATTE)	SELECTIVE GOLD	× 8	4, 6, 9, 12	26, 28, 29, 34	LIGHT GRAY 淡灰色
FJPI-5-175444-1	55	SELECTIVE-TIN (MATTE)	SELECTIVE GOLD	× 8	4, 6, 9, 12	26, 28, 29, 34	NATURAL 自然色
FJPI-3-175444-2	53	SELECTIVE-TIN (MATTE)	SELECTIVE GOLD	× 13	2~5	28~24, 29~32	BLACK 黒色
FJPI-2-175444-1	52	SELECTIVE-TIN (MATTE)	SELECTIVE GOLD	× 16	-	19~34	NATURAL 自然色
FJPI-4-175444-6	54	SELECTIVE-TIN (MATTE)	SELECTIVE GOLD	× 8	-	20, 24, 26~28, 32~34	GRAY 灰色
FJPI-3-175444-1	53	SELECTIVE-TIN (MATTE)	SELECTIVE GOLD	× 13	2~5	28~24, 29~32	NATURAL 自然色
FJPI-7-175444-6	7	TIN-LEAD	SELECTIVE GOLD	× 8	14, 17, 18	24~26, 32, 34	GRAY 灰色
FJPI-6-175444-1	6	TIN-LEAD	SELECTIVE GOLD	× 8	-	19~22, 27~30	NATURAL 自然色
FJPI-5-175444-9	5	TIN-LEAD	SELECTIVE GOLD	× 8	4, 6, 9, 12	26, 28, 29, 34	LIGHT GRAY 淡灰色
FJPI-5-175444-6	5	TIN-LEAD	SELECTIVE GOLD	× 4	5, 6, 11, 12	-	GRAY 灰色
FJPI-5-175444-2	5	TIN-LEAD	SELECTIVE GOLD	× 8	4, 6, 9, 12	26, 28, 29, 34	BLACK 黒色
FJPI-5-175444-1	5	TIN-LEAD	SELECTIVE GOLD	× 8	4, 6, 9, 12	26, 28, 29, 34	NATURAL 自然色
FJPI-4-175444-6	4	TIN-LEAD	SELECTIVE GOLD	× 8	-	20, 24, 26~28, 32~34	GRAY 灰色
FJPI-3-175444-6	3	TIN-LEAD	SELECTIVE GOLD	× 13	2~5	28~24, 29~32	GRAY 灰色
FJPI-3-175444-1	3	TIN-LEAD	SELECTIVE GOLD	× 13	2~5	28~24, 29~32	NATURAL 自然色
FJPI-2-175444-1	2	TIN-LEAD	SELECTIVE GOLD	× 16	-	19~34	NATURAL 自然色
FJPI-175444-9	0	PRE-TIN	× 34	-	-	-	GRAY 灰色
FJPI-175444-8	0	PRE-TIN	× 34	-	-	-	ORANGE オレンジ色
FJPI-175444-6	0	PRE-TIN	× 34	-	-	-	GRAY 灰色
FJPI-175444-5	0	PRE-TIN	× 34	-	-	-	BLUE 青色
FJPI-175444-3	8	SELECTIVE-TIN (MATTE)	SELECTIVE-TIN (BRIGHT)	× 34	-	-	NATURAL 自然色
FJPI-175444-2	0	PRE-TIN	× 34	-	-	-	BLACK 黒色
FJPI-175444-1	0	PRE-TIN	× 34	-	-	-	NATURAL 自然色

THIS DRAWING IS A CONTROLLED DOCUMENT.

DMN: M. KADOSAKI 120CT05
 CHK: T. SHINOHARA 120CT05
 APVD: K. BESTUI 120CT05

STE TE Connectivity

34 POSITION CAP HOUSING ASS'Y
 040/070 SERIES HYBRID I/O CONNECTOR

GENERAL TOLERANCE: DC < 10 : ±0.2, 10 < DC < 30 : ±0.25, 30 < DC < 100 : ±0.3, ANGLES: ±3°

MATERIAL: HOUSING : PBT, CONTACT : BRASS

FINISH: 仕上 見 TABLE

WEIGHT: 19 g

SCALE: 2:1

SHEET: 1 of 1

REV: P10